



US00D618048S

(12) **United States Design Patent**
Leandro

(10) **Patent No.:** **US D618,048 S**
(45) **Date of Patent:** **** Jun. 22, 2010**

(54) **TAMALE MAKER**

(57) **CLAIM**

(76) **Inventor:** **Lopez J. Leandro**, P.O. Box 1113,
Banning, CA (US) 92220

I claim the ornamental design for the tamale maker, as shown and as described.

(**) **Term:** **14 Years**

DESCRIPTION

(21) **Appl. No.:** **29/314,214**

FIG. 1 is a perspective view of the tamale maker with a tamale wrapper;

(22) **Filed:** **Mar. 13, 2009**

FIG. 2 is another perspective view of the tamale maker with a tamale wrapper in a new position;

(51) **LOC (9) Cl.** **07-04**

FIG. 3 is an exploded perspective view of the tamale maker;

(52) **U.S. Cl.** **D7/368; D7/672**

FIG. 4 is a front view of the tamale maker;

(58) **Field of Classification Search** D7/368,
D7/672-677, 669; 99/450.1, 450.2, 450.4,
99/450.5

FIG. 5 is a back view of the tamale maker;

FIG. 6 is a side view of the tamale maker;

See application file for complete search history.

FIG. 7 is a other side view of the tamale maker;

FIG. 8 is a top view of the tamale maker; and,

FIG. 9 is a bottom view of the tamale maker.

(56) **References Cited**

U.S. PATENT DOCUMENTS

D255,412 S *	6/1980	Bereza	D7/674
6,745,674 B2 *	6/2004	Sioutis et al.	99/450.1
6,832,544 B2 *	12/2004	Poarch et al.	99/450.5
D519,328 S *	4/2006	Witte	D7/673

The broken lines in FIGS. 1 through 3 are of a tamale wrapper. The tamale wrapper is shown for illustrative purposes only and forms no part of the claimed design.

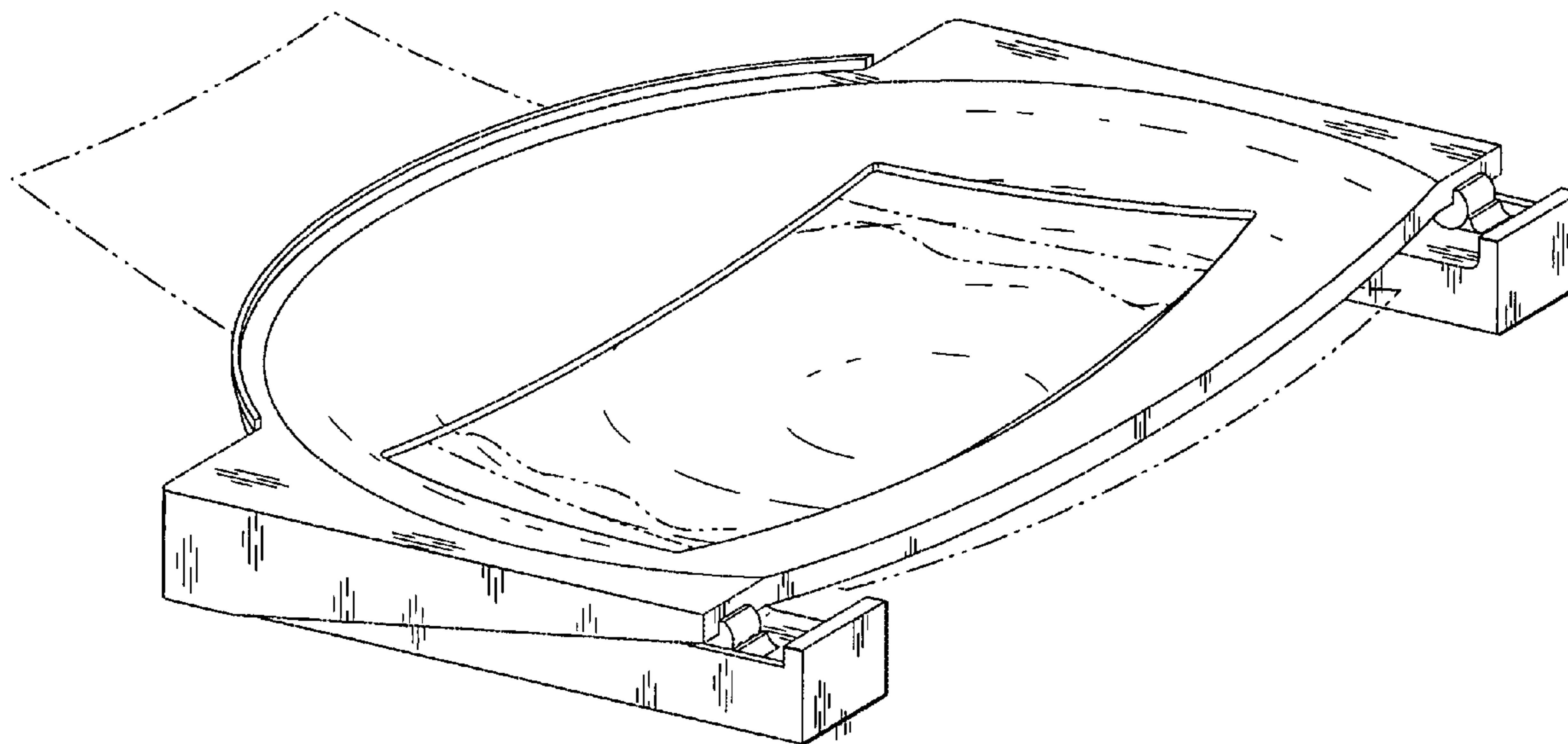
The tamale maker will hold the tamale wrappers in place while an application of the Masa spread is applied. As such, this invention allows novices to proceed with hardest part of preparing a tamale. The tamale maker also allows the user to prepare the tamale wrapper in a controlled environment to provide a faster and better product. The tamale maker accommodates various size tamale wrappers. Therefore, there is a need in the art for a tamale maker.

* cited by examiner

Primary Examiner—Terry A Wallace

(74) *Attorney, Agent, or Firm*—Allan Grant; Grant's Law Firm

1 Claim, 6 Drawing Sheets



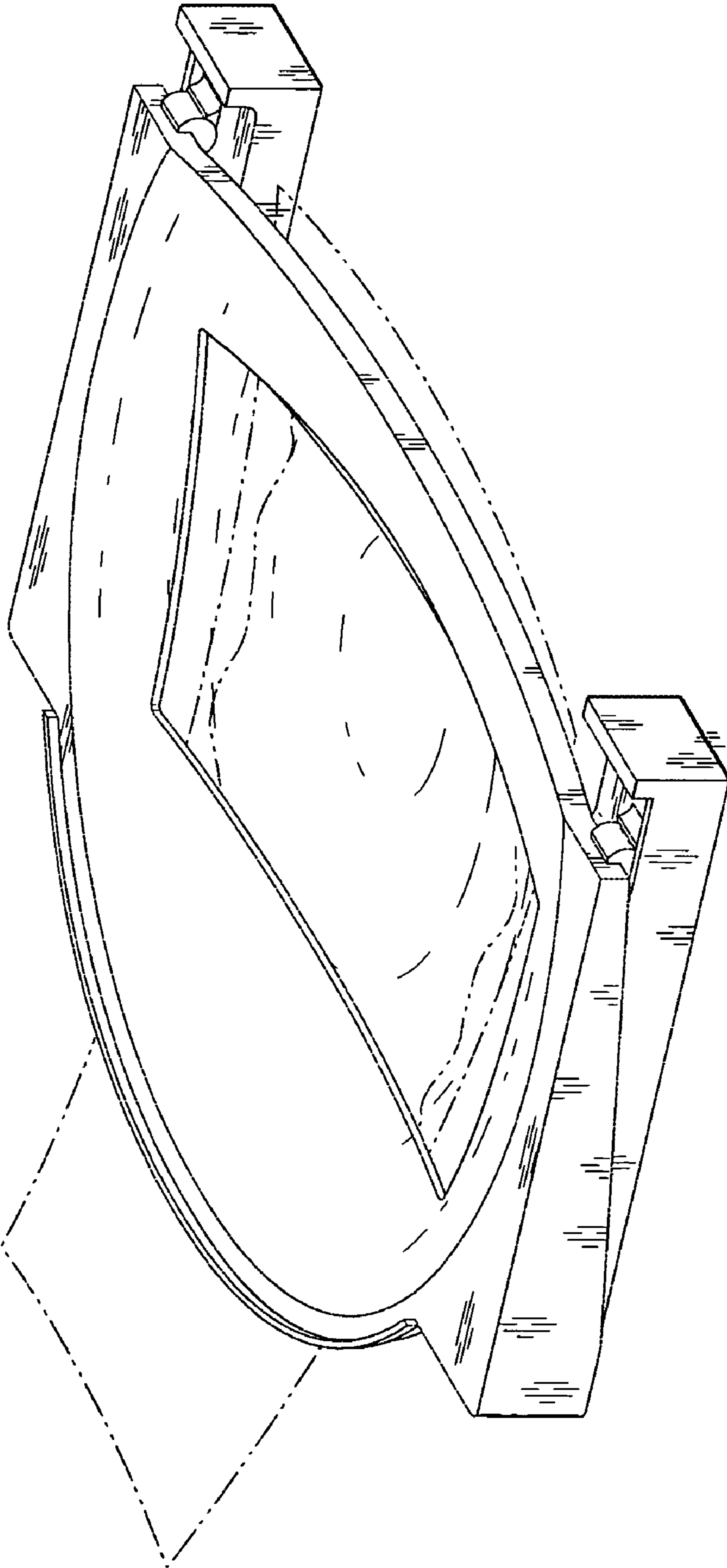


Fig. 1

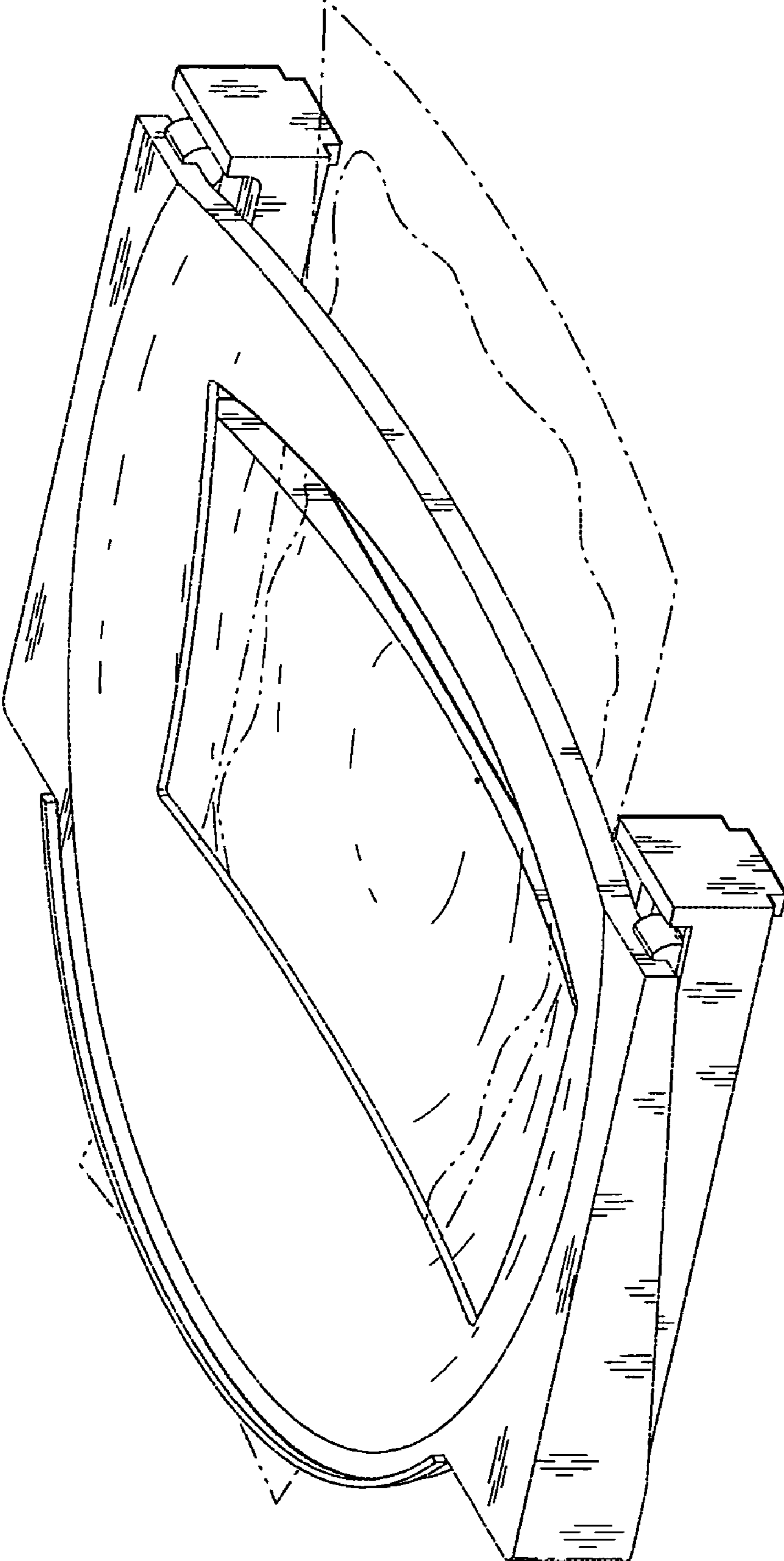
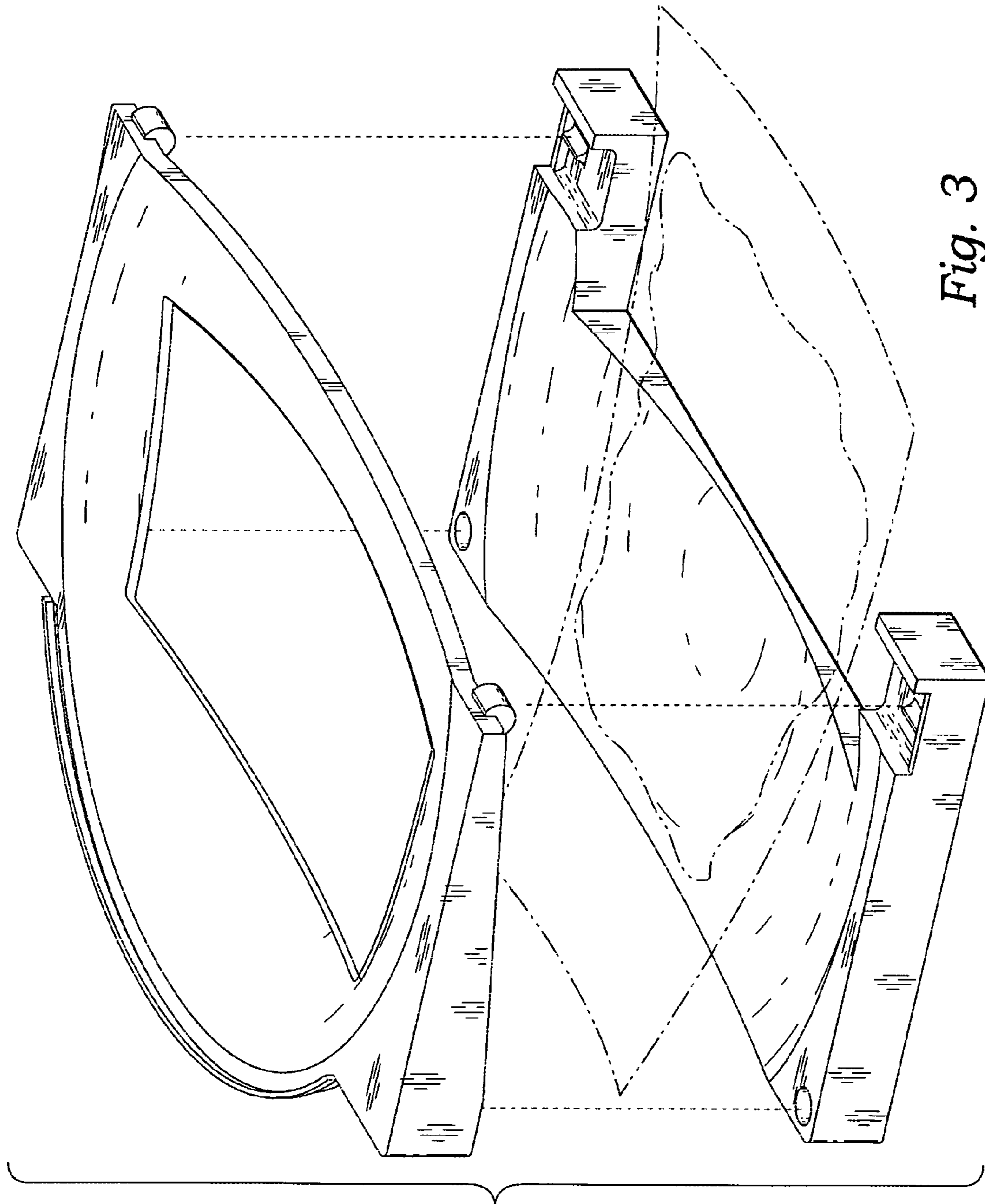


Fig. 2



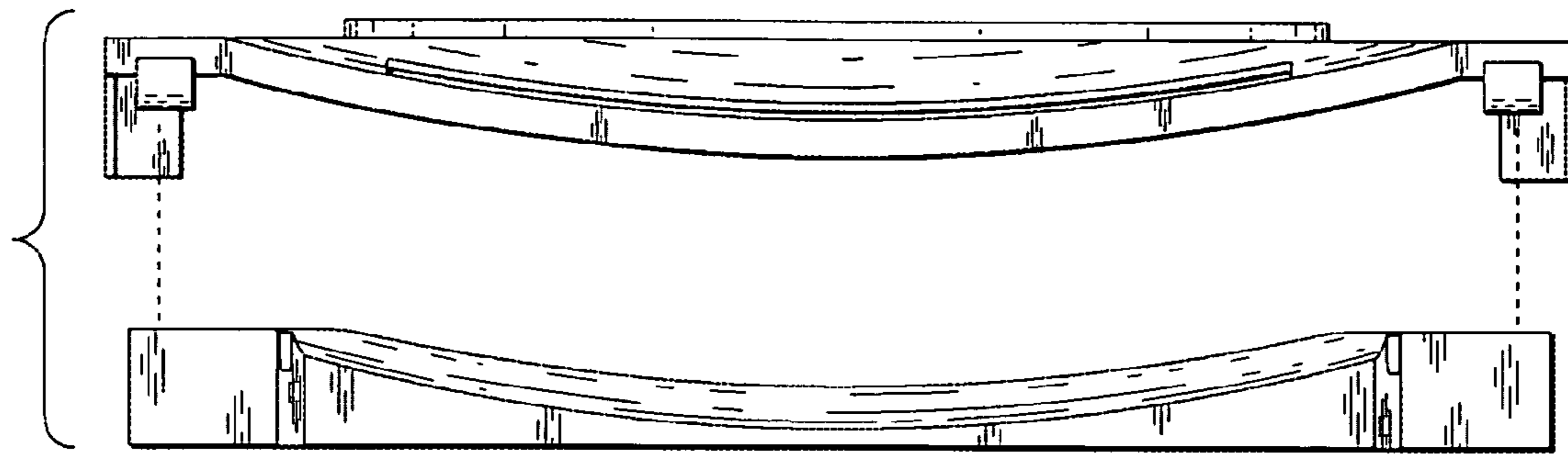


Fig. 4

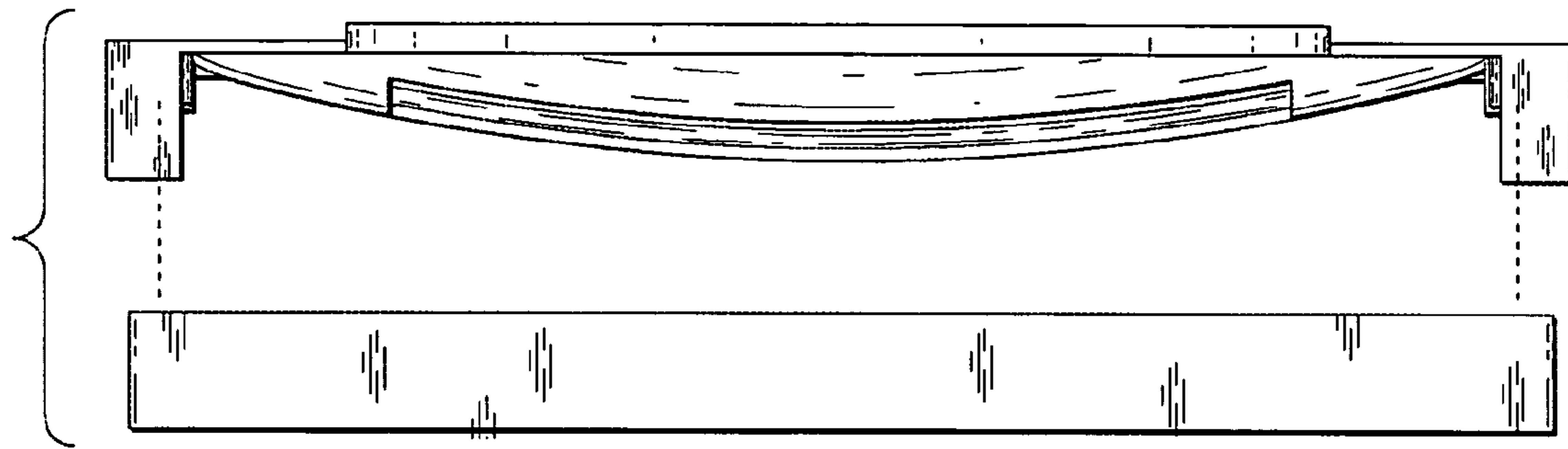


Fig. 5

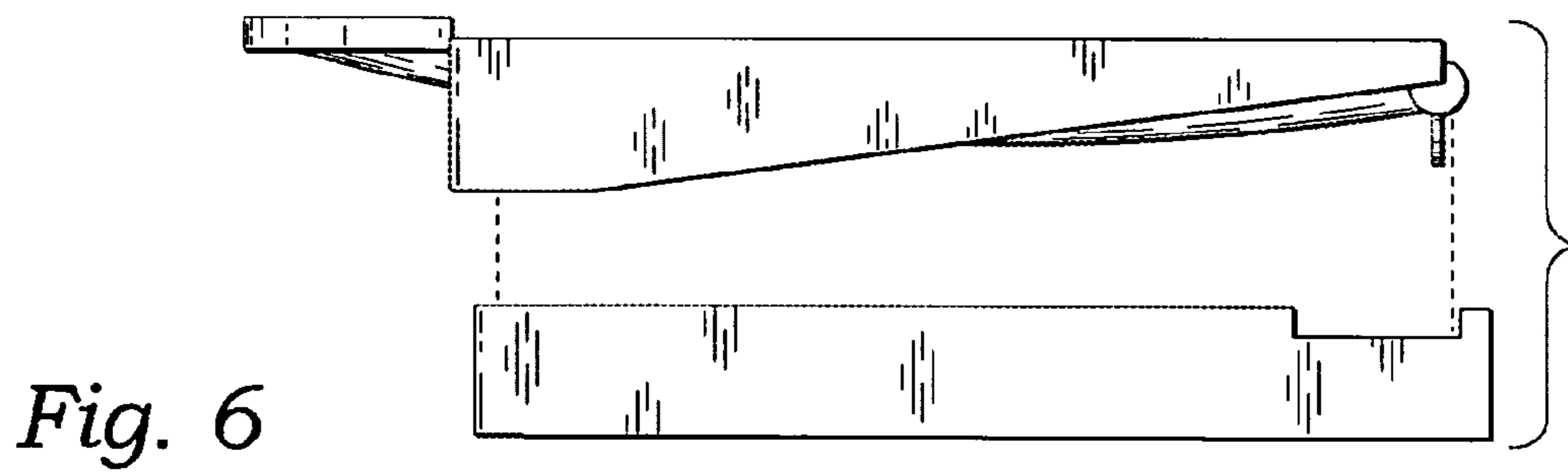


Fig. 6

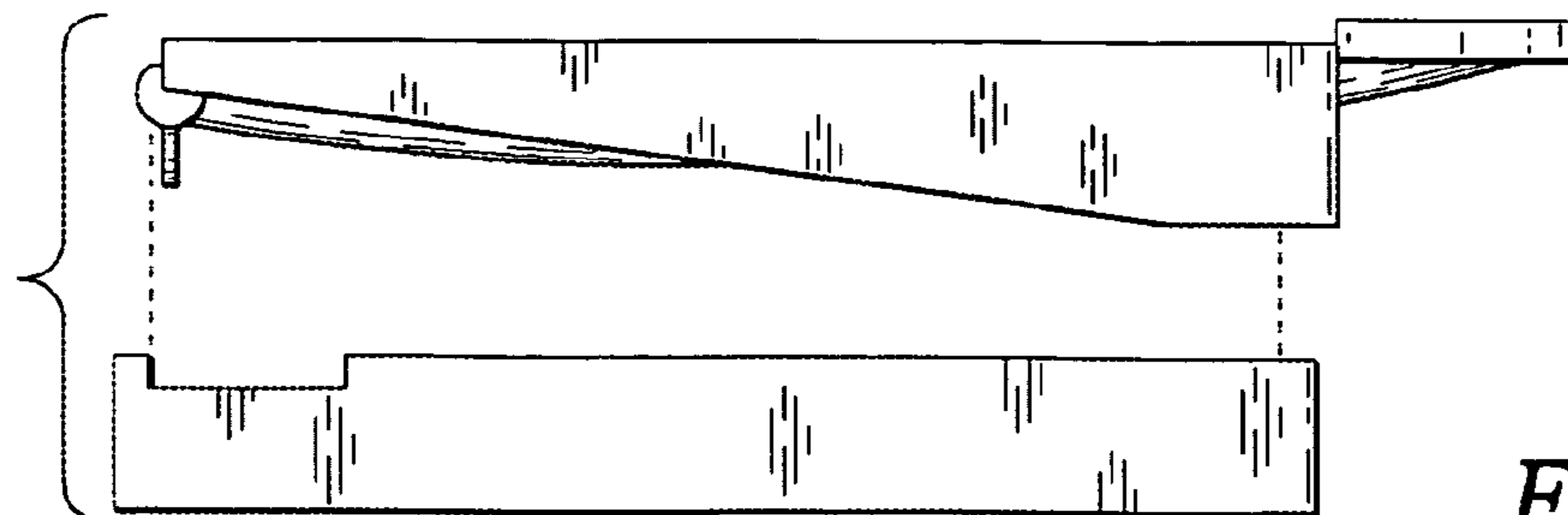


Fig. 7

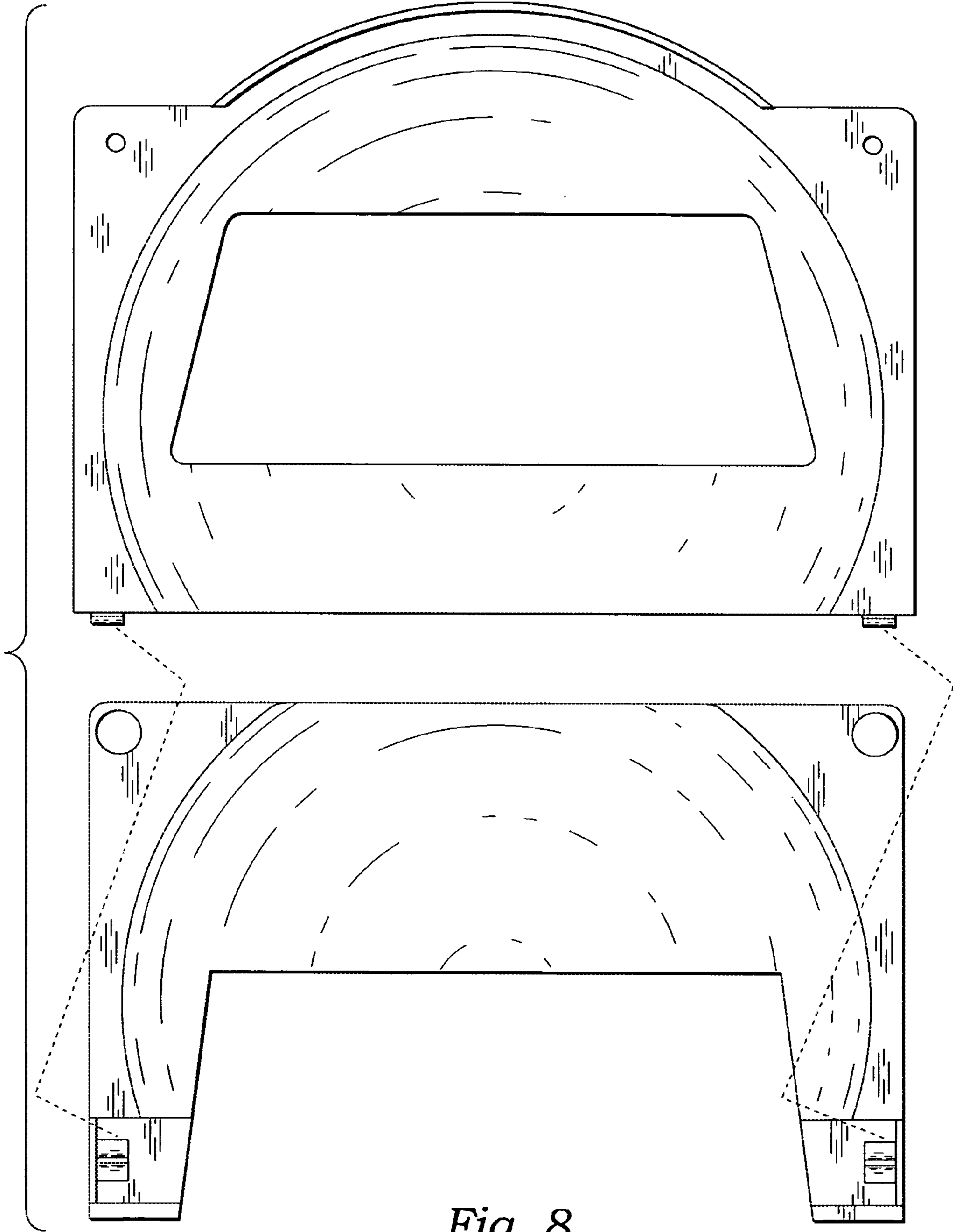


Fig. 8

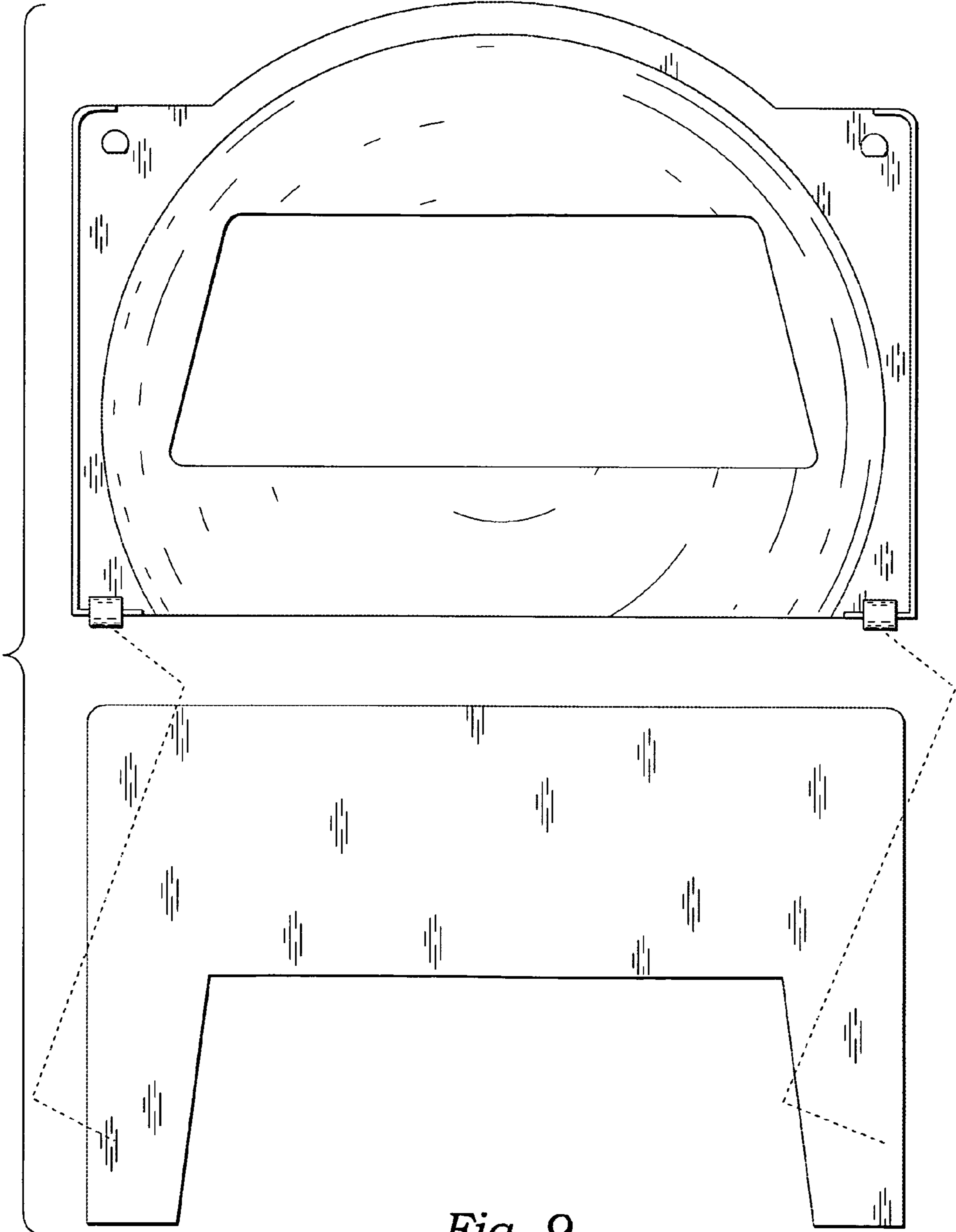


Fig. 9