



US00D618042S

(12) **United States Design Patent**
Thelen et al.

(10) **Patent No.:** **US D618,042 S**
(45) **Date of Patent:** **** Jun. 22, 2010**

(54) **COOKING POT**

(75) Inventors: **Arnold Thelen**, Kempfeld (DE); **Ernst Wedekind**, Cologne (DE)

(73) Assignee: **Fissler GmbH**, Idar-Oberstein (DE)

(**) Term: **14 Years**

(21) Appl. No.: **29/341,776**

(22) Filed: **Aug. 12, 2009**

(30) **Foreign Application Priority Data**

Apr. 24, 2009 (EP) 001 127 088

(51) **LOC (9) Cl.** **07-02**

(52) **U.S. Cl.** **D7/358; D7/354**

(58) **Field of Classification Search** D7/323,
D7/330-331, 339, 347, 350-367, 378-379,
D7/383-384, 391-395, 542-545; 99/324-325,
99/329 R, 330-339, 412-413; 126/374.1;
137/524; 219/432-433, 438-441, 620-622,
219/725-730; 220/203.1, 203.07, 203.09,
220/298, 303, 316, 356.1, 573.1-574, 769;
426/438, 441

See application file for complete search history.

(56) **References Cited**

U.S. PATENT DOCUMENTS

D156,298 S * 11/1949 Wagner D7/358
D157,002 S * 1/1950 Sayers et al. D7/358
2,592,992 A * 4/1952 Abercrombie 137/524
2,627,997 A * 2/1953 Wittenberg 220/298

(Continued)

OTHER PUBLICATIONS

Fissler GmbH, photographs of designs on exhibit and website pages of Ambiente 2009 Exhibition, Feb. 13-17, 2009, 32 pages, Messe

Frankfurt Exhibition GmbH, Frankfurt am Main, Germany, and certificate relating to the same.

* cited by examiner

Primary Examiner—Caron Veynar

Assistant Examiner—Ricky Pham

(74) *Attorney, Agent, or Firm*—Foley & Lardner LLP

(57) **CLAIM**

We claim the ornamental design for a cooking pot, as shown and described.

DESCRIPTION

FIG. 1 is a top frontal perspective view of a first embodiment of a cooking pot according to our new design;

FIG. 2 is a front view of the cooking pot shown in FIG. 1;

FIG. 3 is a back view of the cooking pot shown in FIG. 1;

FIG. 4 is a left side view of the cooking pot shown in FIG. 1;

FIG. 5 is a right side view of the cooking pot shown in FIG. 1;

FIG. 6 is a top view of the cooking pot shown in FIG. 1;

FIG. 7 is a bottom view of the cooking pot shown in FIG. 1;

FIG. 8 is a top frontal perspective view of a second embodiment of a cooking pot according to our new design;

FIG. 9 is a front view of the cooking pot shown in FIG. 8;

FIG. 10 is a back view of the cooking pot shown in FIG. 8;

FIG. 11 is a left side view of the cooking pot shown in FIG. 8;

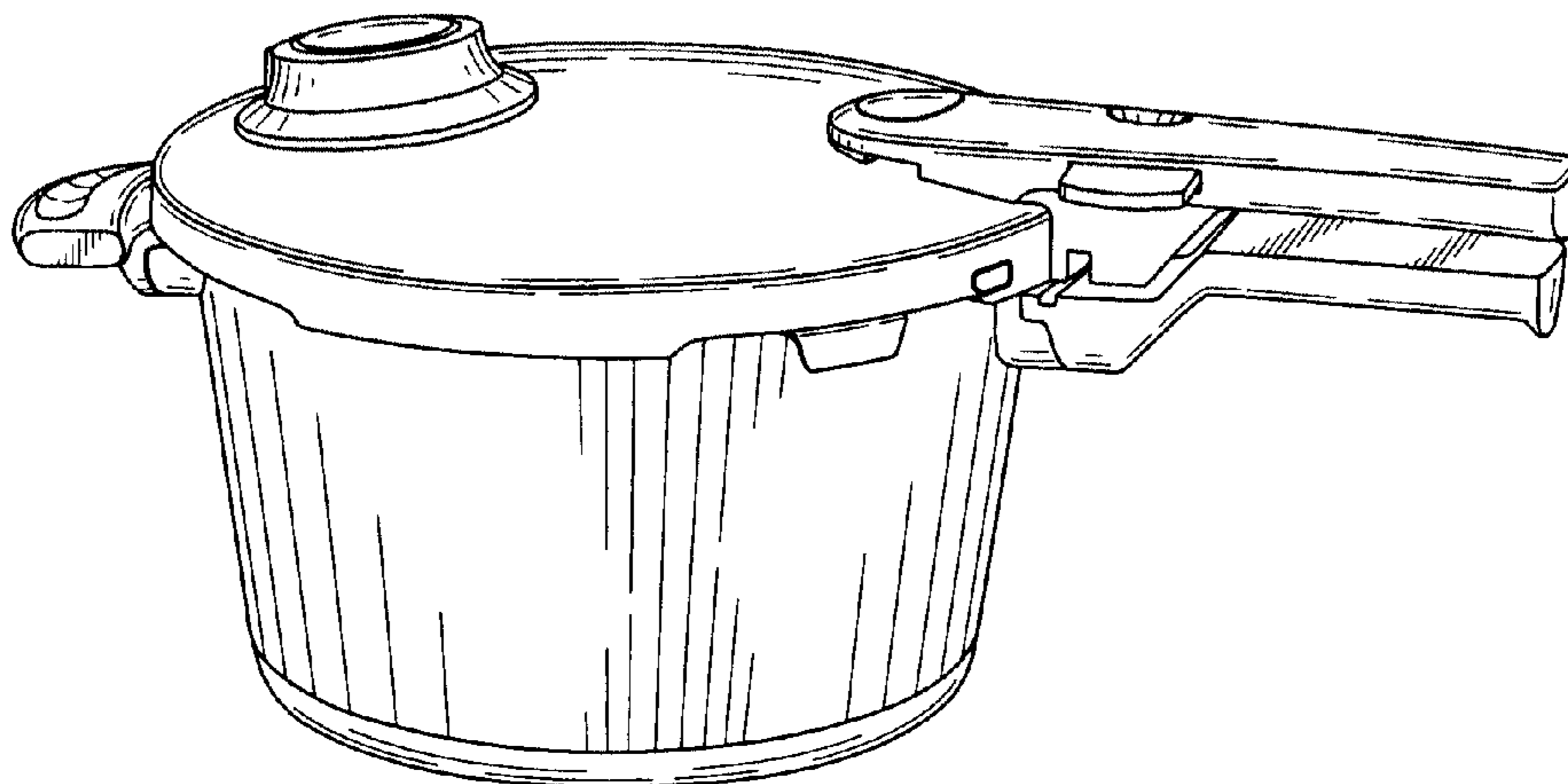
FIG. 12 is a right side view of the cooking pot shown in FIG. 8;

FIG. 13 is a top view of the cooking pot shown in FIG. 8; and,

FIG. 14 is a bottom view of the cooking pot shown in FIG. 8.

The ornamental design which is claimed is shown in solid lines in the drawings. A feature of FIGS. 8-14 has been lined to indicate color. In particular, the coverplate of the valve on the lid of the cooking pot in FIGS. 8-14 has been intentionally shaded black to indicate the color black for the coverplate.

1 Claim, 8 Drawing Sheets



US D618,042 S

Page 2

U.S. PATENT DOCUMENTS

D184,909	S	*	4/1959	Boldt	D7/358
D187,609	S	*	4/1960	Boldt	D7/395
D253,867	S	*	1/1980	Boldt et al.	D7/358
4,257,394	A	*	3/1981	Zabel	126/374.1
D263,782	S	*	4/1982	Jackson et al.	D7/358
4,534,485	A	*	8/1985	Subramanian	220/203.07
4,620,643	A	*	11/1986	Sebillotte	220/316
D295,817	S	*	5/1988	Sebillotte	D7/358
D303,064	S	*	8/1989	Vasudeva	D7/358
4,932,550	A	*	6/1990	Moucha	220/203.09
D312,751	S	*	12/1990	Moreno	D7/358
D315,847	S	*	4/1991	Sebillotte	D7/393
5,135,121	A	*	8/1992	Javier	220/203.07
D365,494	S	*	12/1995	Roussard	D7/358
D384,547	S	*	10/1997	Roussard et al.	D7/358
D432,349	S	*	10/2000	Jo	D7/358
D433,273	S	*	11/2000	Roussard	D7/358
D455,600	S	*	4/2002	Barrena	D7/358
D530,145	S	*	10/2006	Bergara	D7/358
D570,153	S	*	6/2008	Bergara	D7/358
D572,521	S	*	7/2008	Bergara	D7/358

Fig. 1

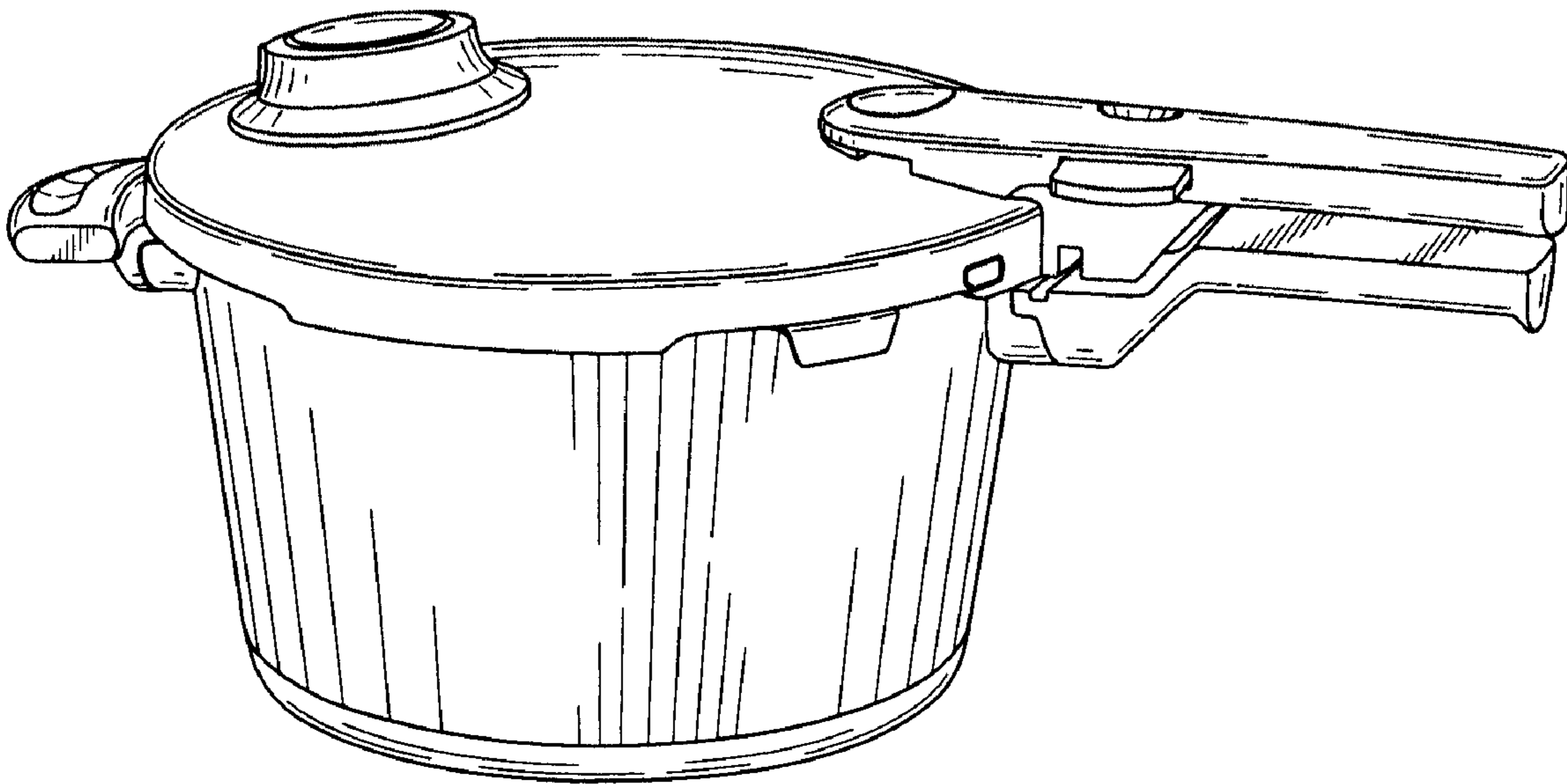


Fig. 2

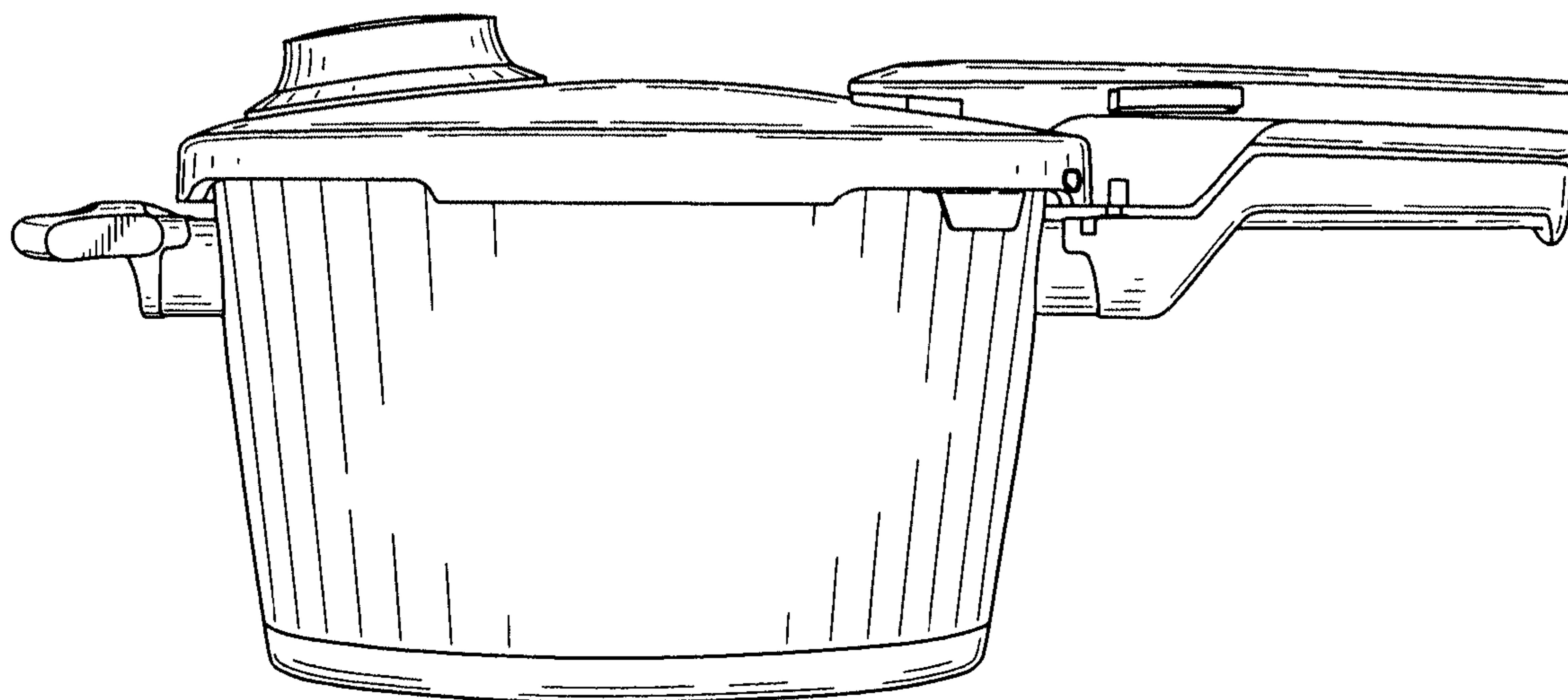


Fig. 3

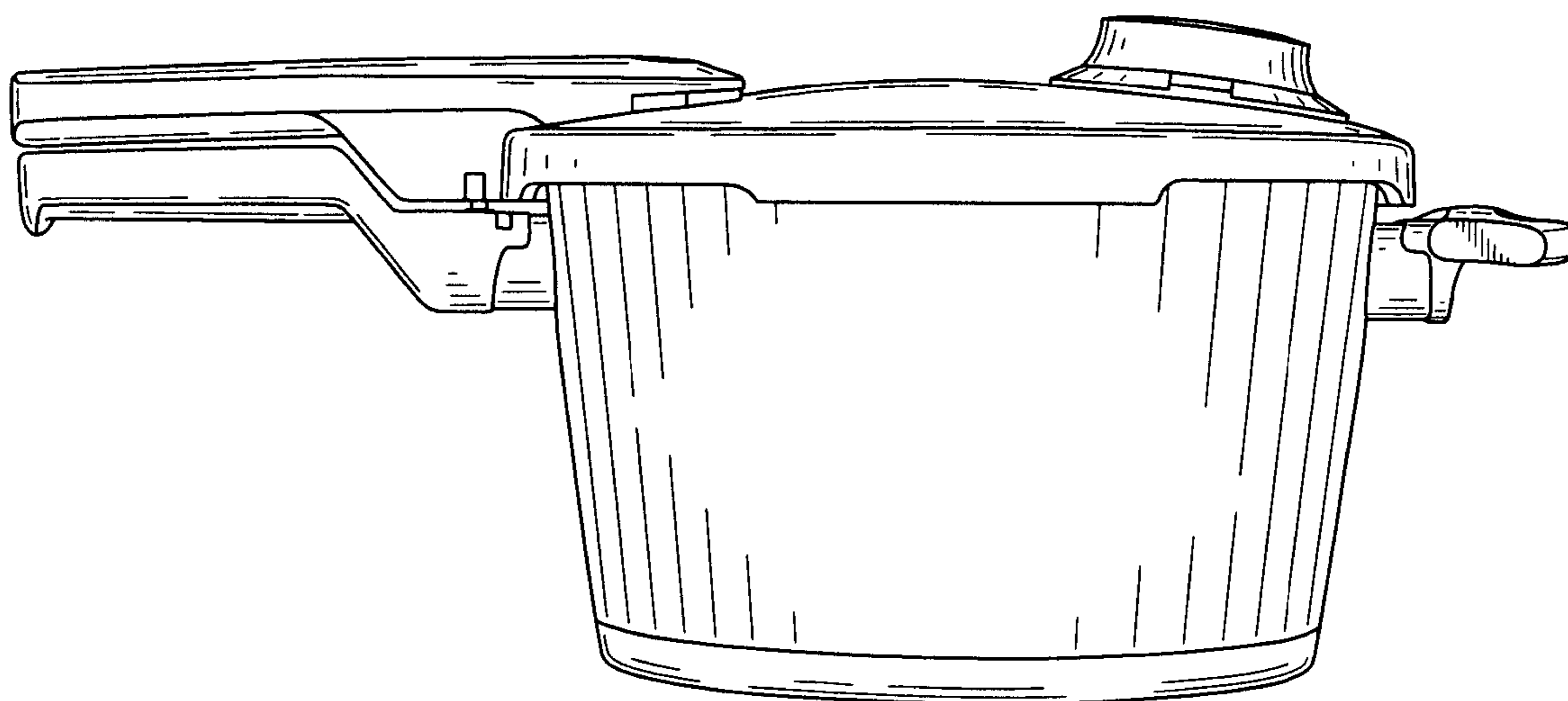


Fig. 4

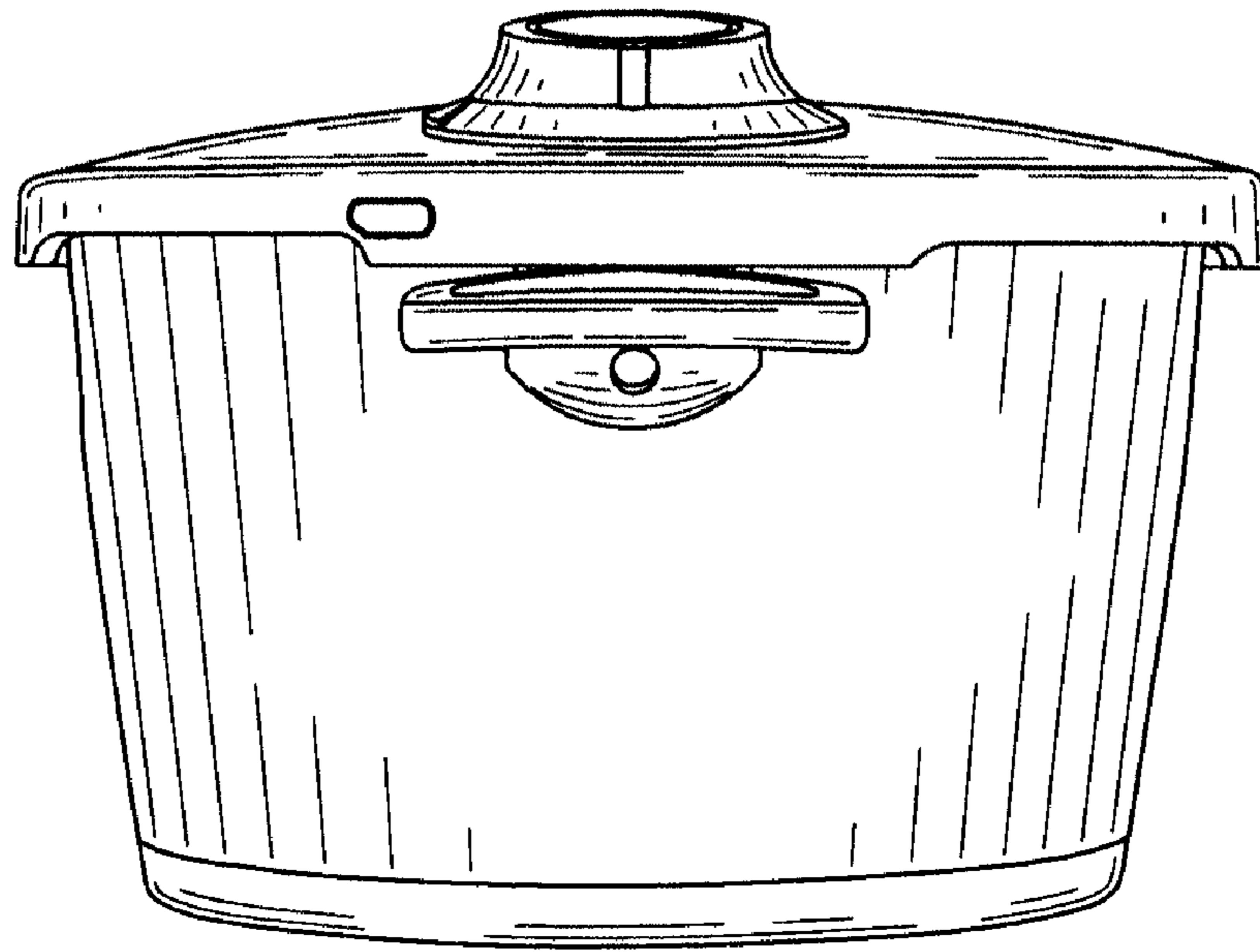


Fig. 5

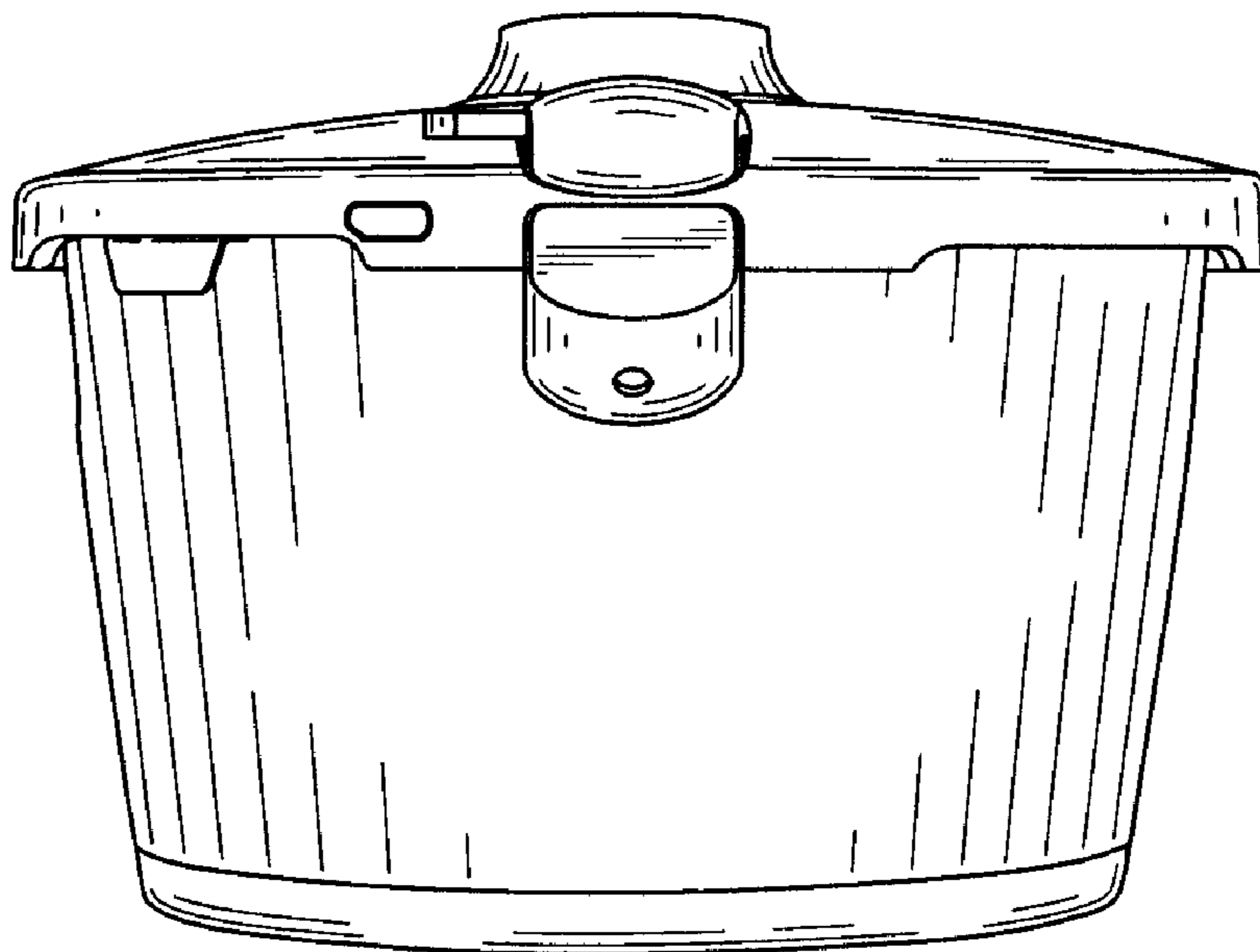


Fig. 6

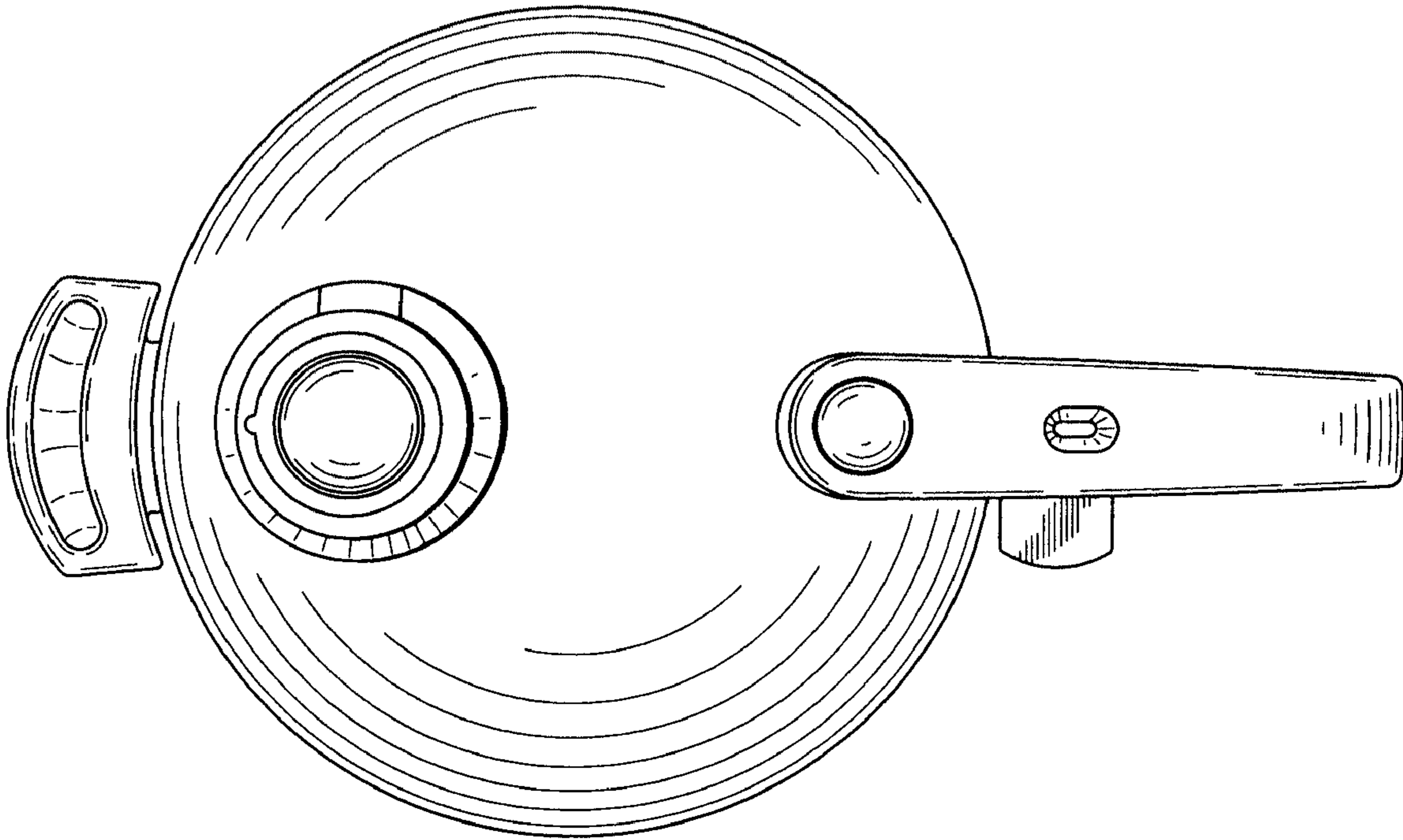


Fig. 7

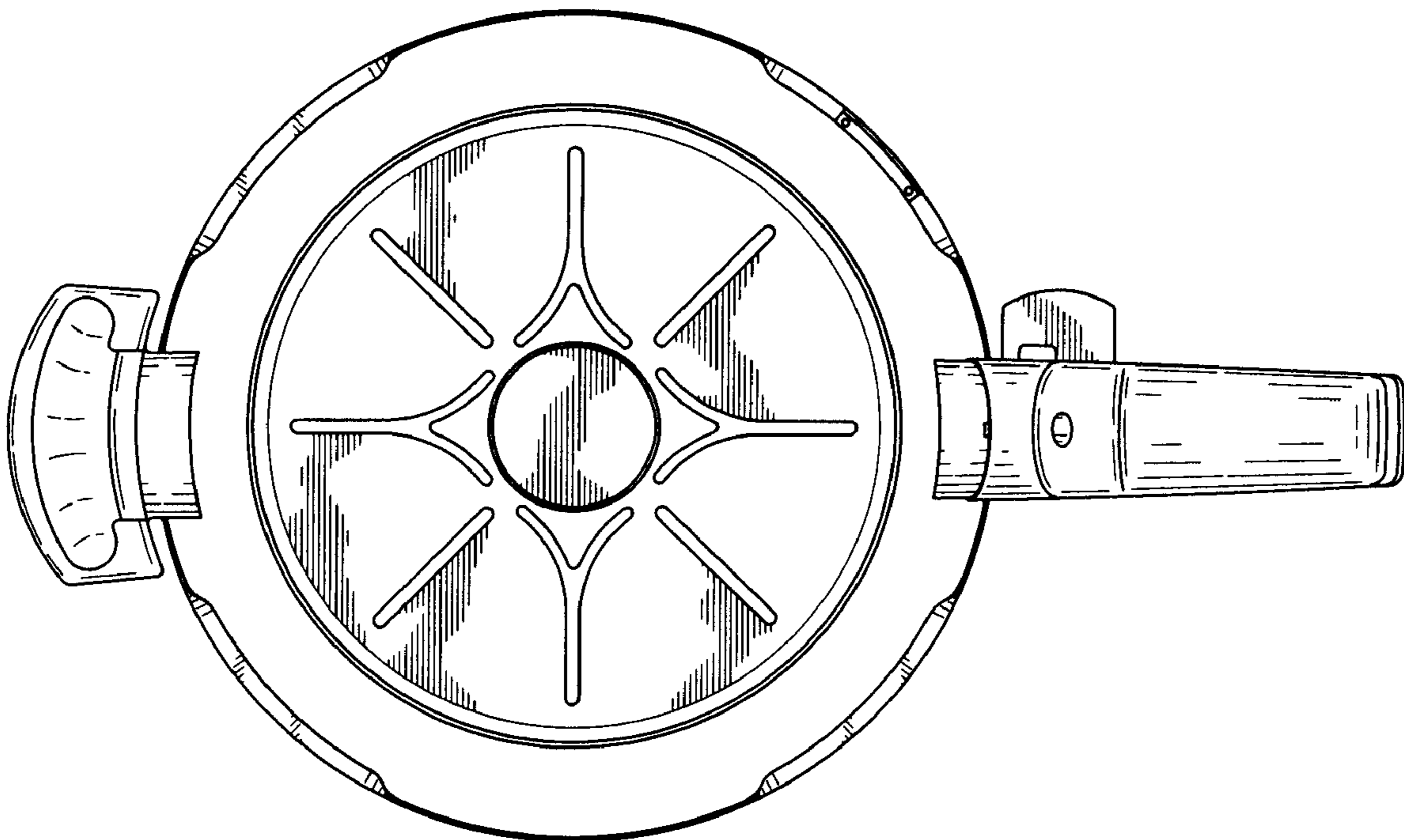


Fig. 8

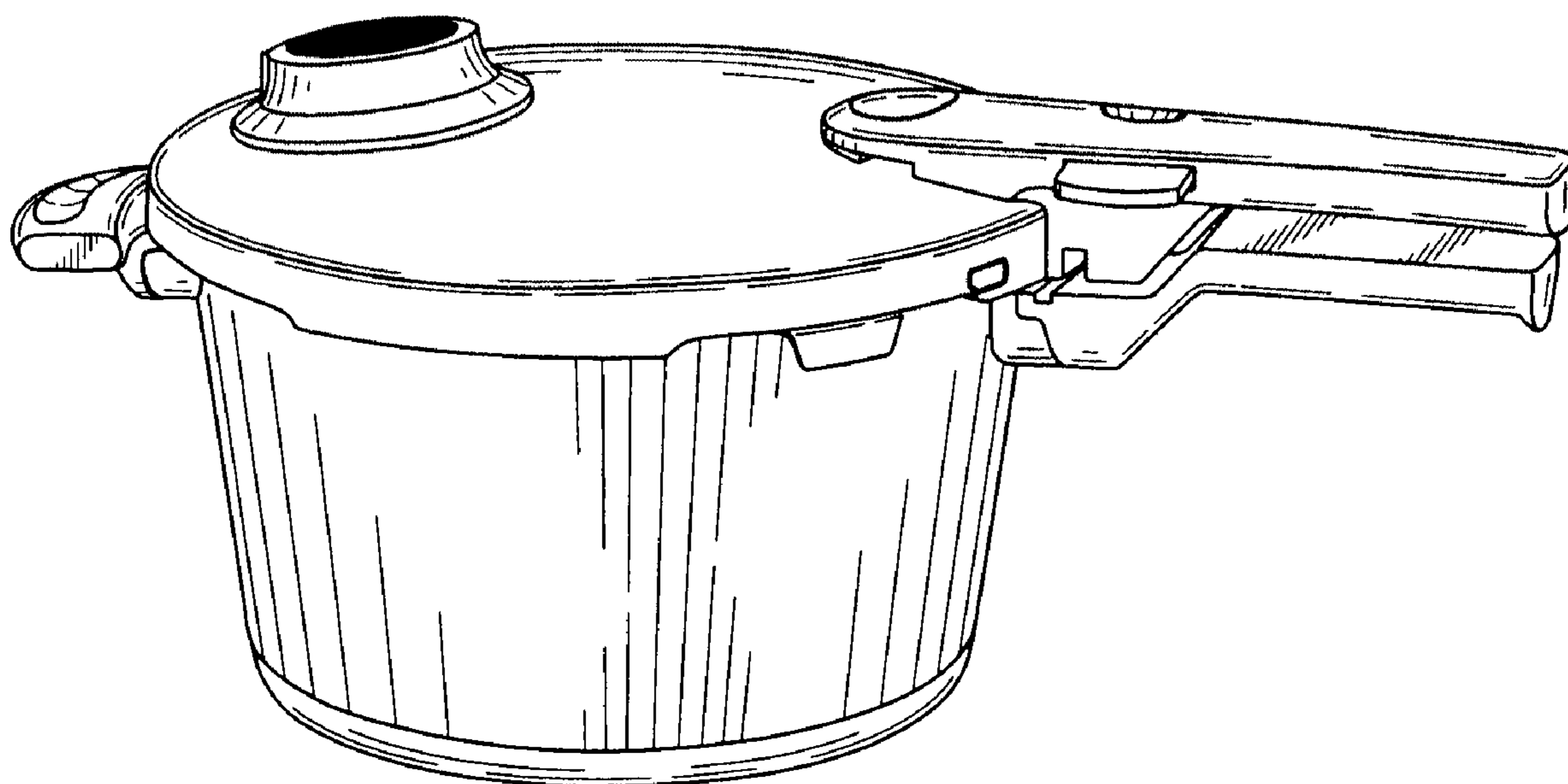


Fig. 9

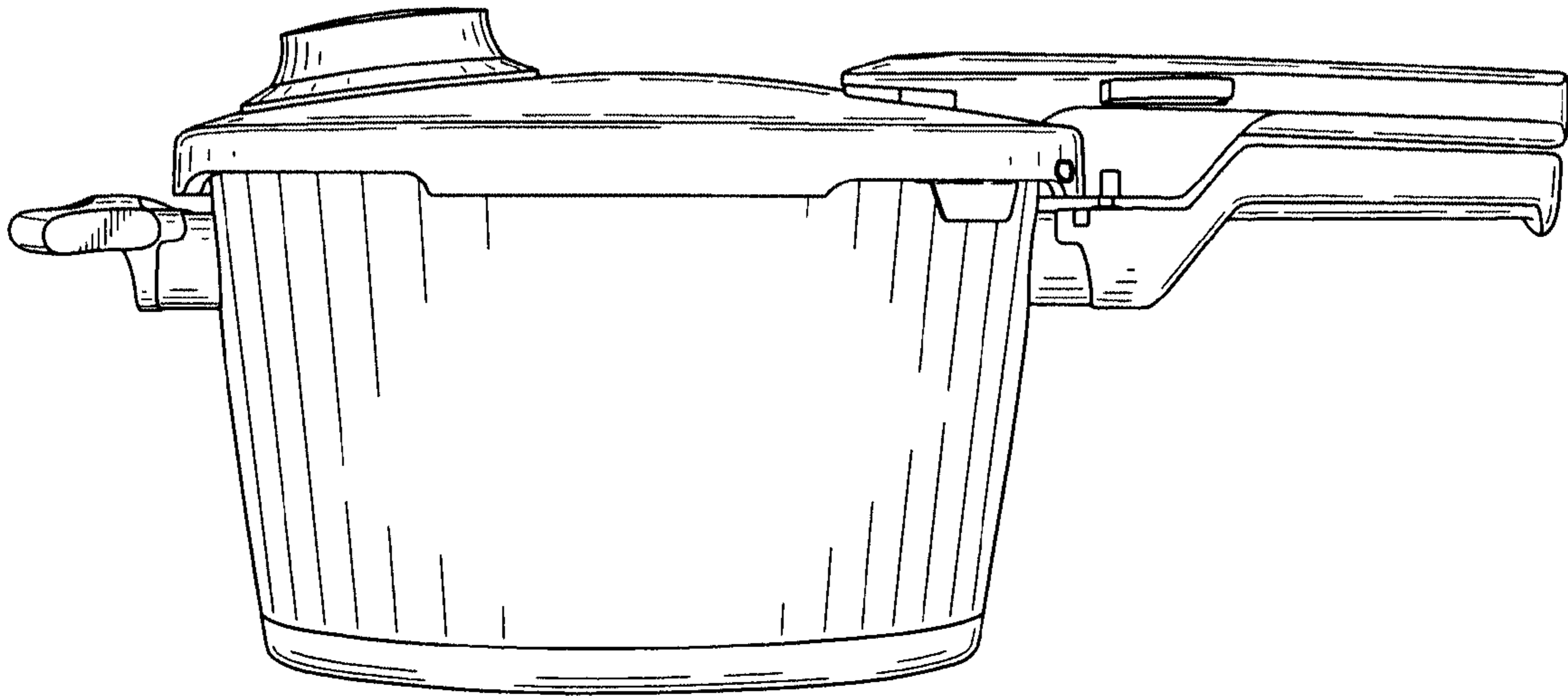


Fig. 10

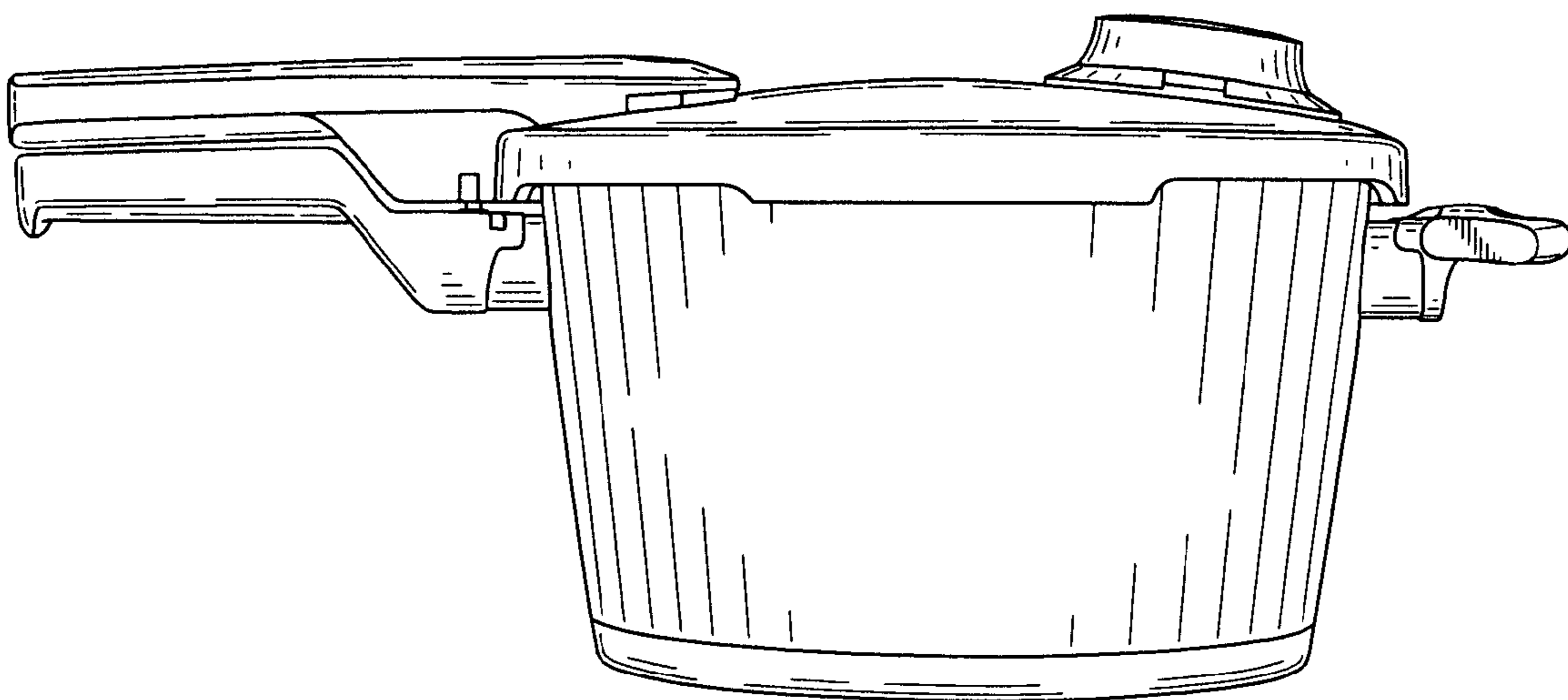


Fig. 11

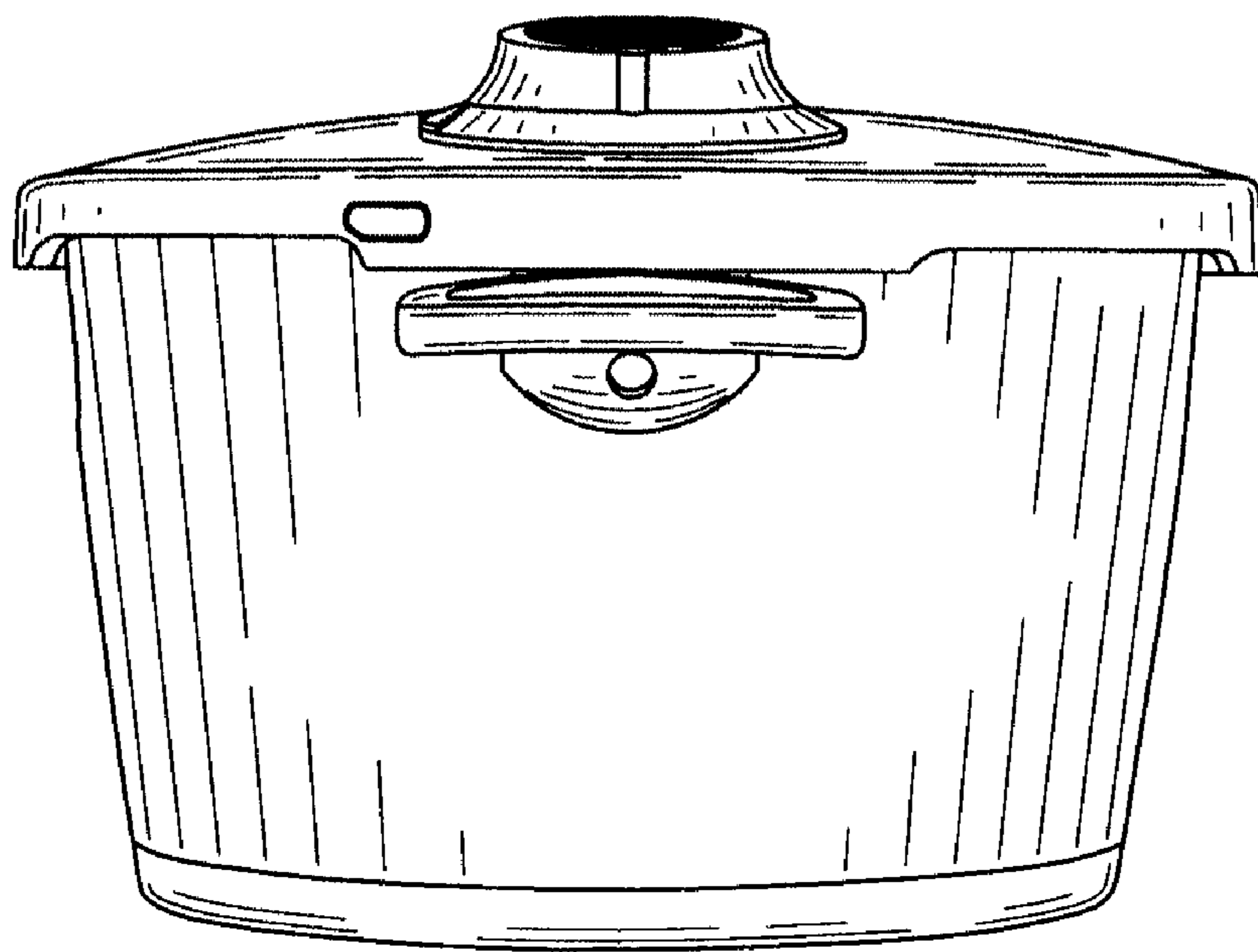


Fig. 12

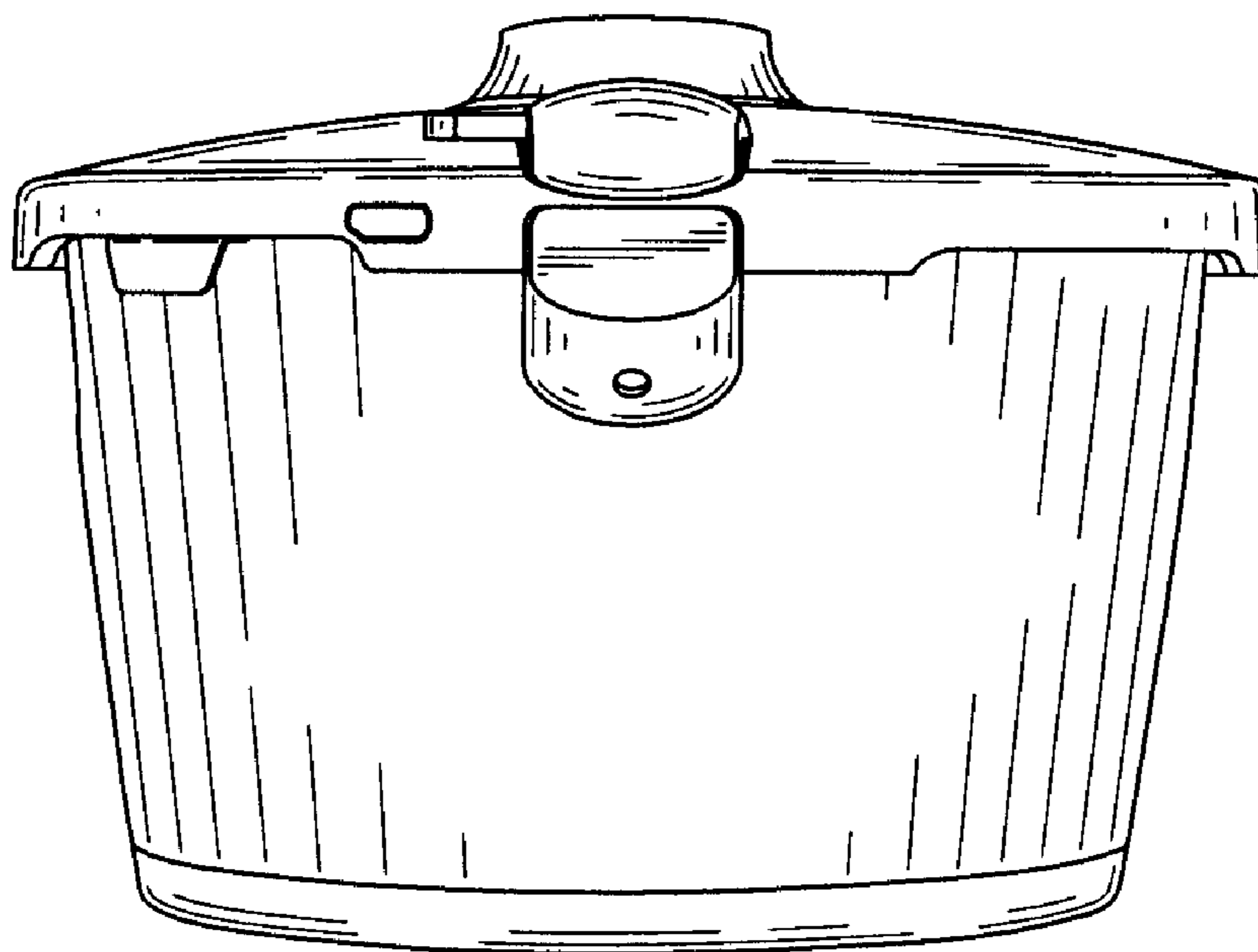


Fig. 13

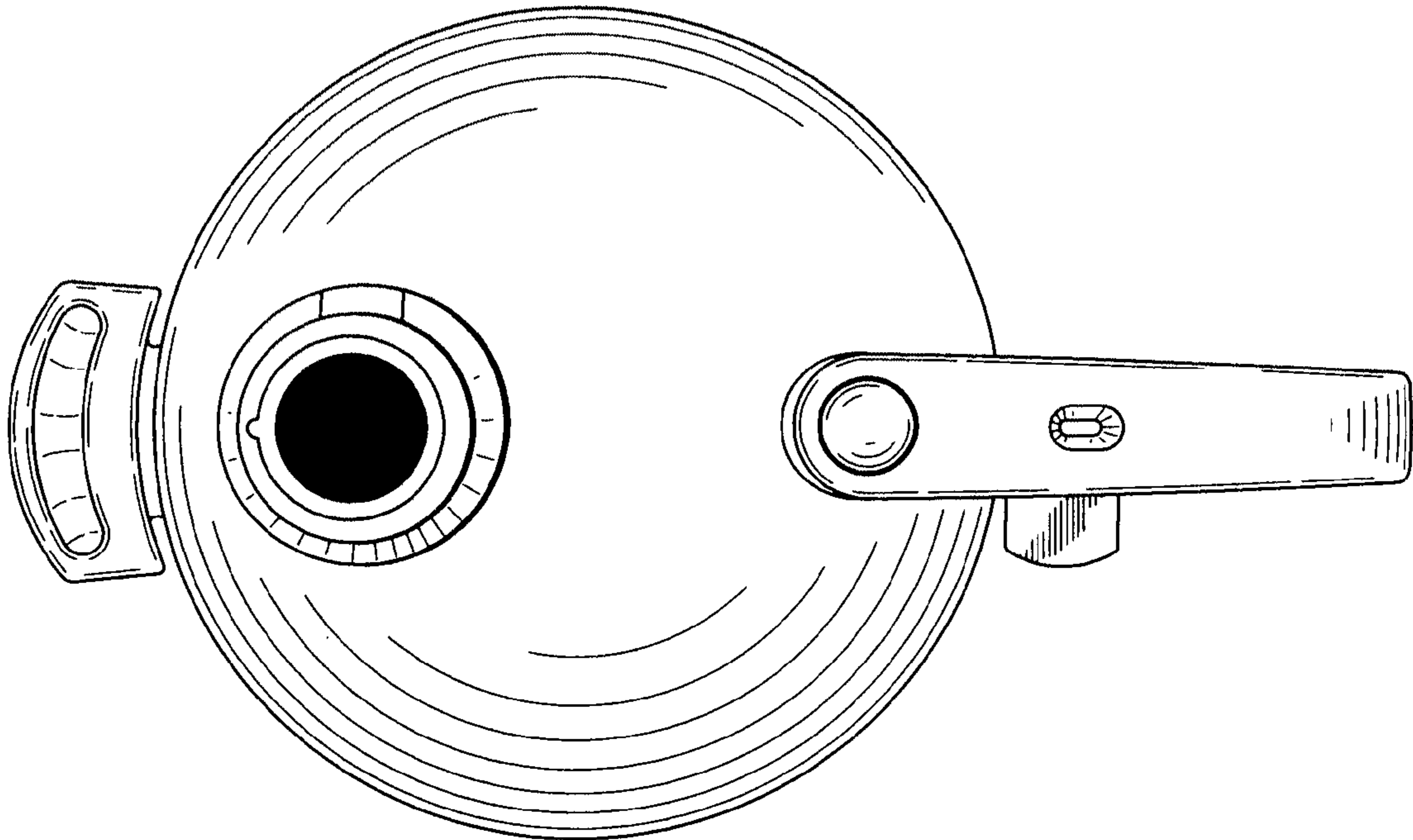


Fig. 14

