



US00D618039S

(12) **United States Design Patent**  
**Hoff et al.**

(10) **Patent No.:** **US D618,039 S**  
(45) **Date of Patent:** **\*\* Jun. 22, 2010**

(54) **COOKWARE POT**

(75) Inventors: **Susan K. Hoff**, Belmont, MI (US); **Steve O. Mork**, Lowell, MI (US); **Mark C. Smith**, Rockford, MI (US)

(73) Assignee: **Access Business Group International LLC**, Ada, MI (US)

(\*\*) Term: **14 Years**

(21) Appl. No.: **29/353,211**

(22) Filed: **Jan. 5, 2010**

(51) **LOC (9) Cl.** ..... **07-02**

(52) **U.S. Cl.** ..... **D7/356; D7/354**

(58) **Field of Classification Search** ..... D7/323,  
D7/330-331, 339, 347, 350-367, 378-379,  
D7/383-384, 391-395, 542-545; 99/324-325,  
99/329 R, 330-339, 400, 412-413, 425, 448;  
219/432-433, 438-441, 620-622, 725-730;  
220/203.1, 203.07, 203.09, 298, 303, 316,  
220/356.1, 573.1-574, 769, 912; 426/438,  
426/441

See application file for complete search history.

(56) **References Cited**

**U.S. PATENT DOCUMENTS**

D232,148 S *	7/1974	Yarrington	.....	D7/360
D241,601 S *	9/1976	Cook	.....	D7/356
D278,403 S *	4/1985	Cesaroni	.....	D7/360
D396,600 S *	8/1998	Otero	.....	D7/356
D435,392 S *	12/2000	Jo	.....	D7/356
D503,584 S *	4/2005	White et al.	.....	D7/355
D520,806 S *	5/2006	Ryan	.....	D7/354

D566,457 S *	4/2008	Ryan	.....	D7/360
D577,247 S *	9/2008	Barnes et al.	.....	D7/354
2009/0095169 A1 *	4/2009	York	.....	99/448

\* cited by examiner

*Primary Examiner*—Caron Veynar

*Assistant Examiner*—Ricky Pham

(74) *Attorney, Agent, or Firm*—Jeffrey B. Lesperance; Alticor Inc.

(57) **CLAIM**

The ornamental design for cookware pot, as shown and described.

**DESCRIPTION**

FIG. 1 is a perspective view of the cookware pot showing the new design;

FIG. 2 is a front elevational view thereof;

FIG. 3 is left side elevational view thereof; the right side being a mirror image;

FIG. 4 is a top plan view thereof;

FIG. 5 is bottom plan view thereof;

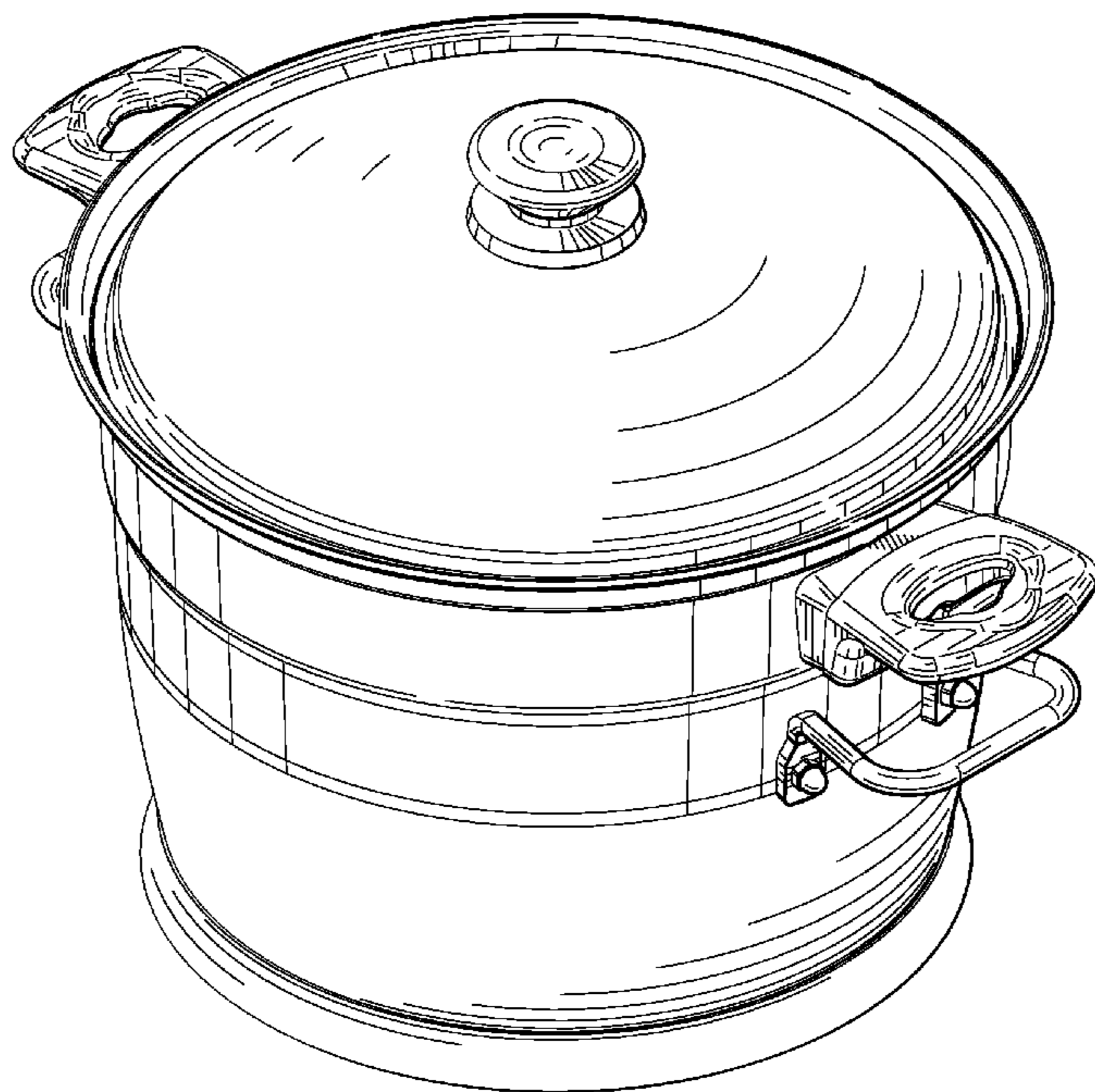
FIG. 6 is a bottom perspective view thereof;

FIG. 7 is an exploded view thereof; and,

FIG. 8 is a cross-sectional view taken through line 8—8 of FIG. 4.

FIG. 8 is a cutaway view of the cookware pot being claimed and is included to illustrate the exterior contour of the cookware pot. The thickness of the cookware pot form no part of the claimed design.

**1 Claim, 8 Drawing Sheets**



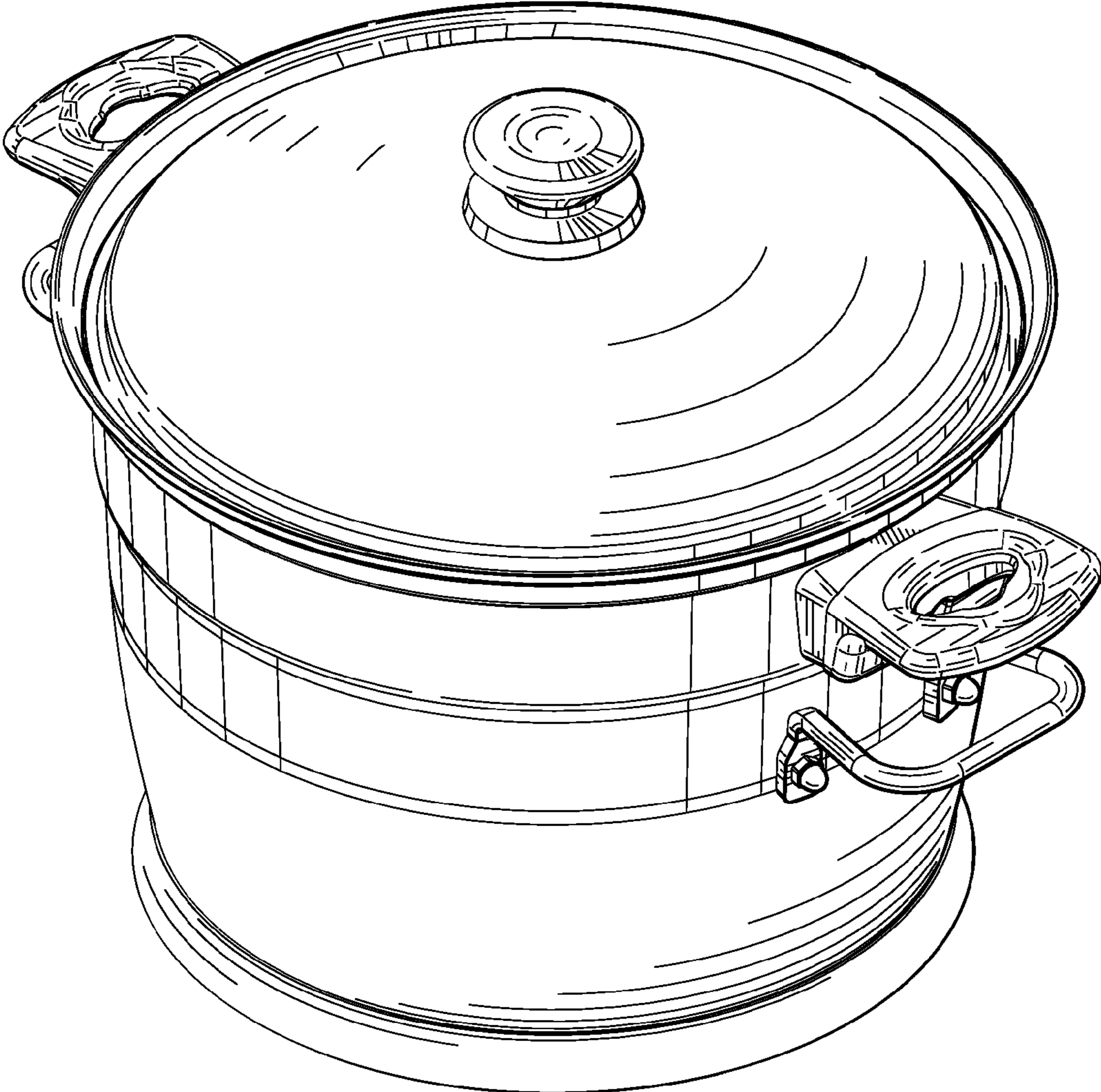


FIG. 1

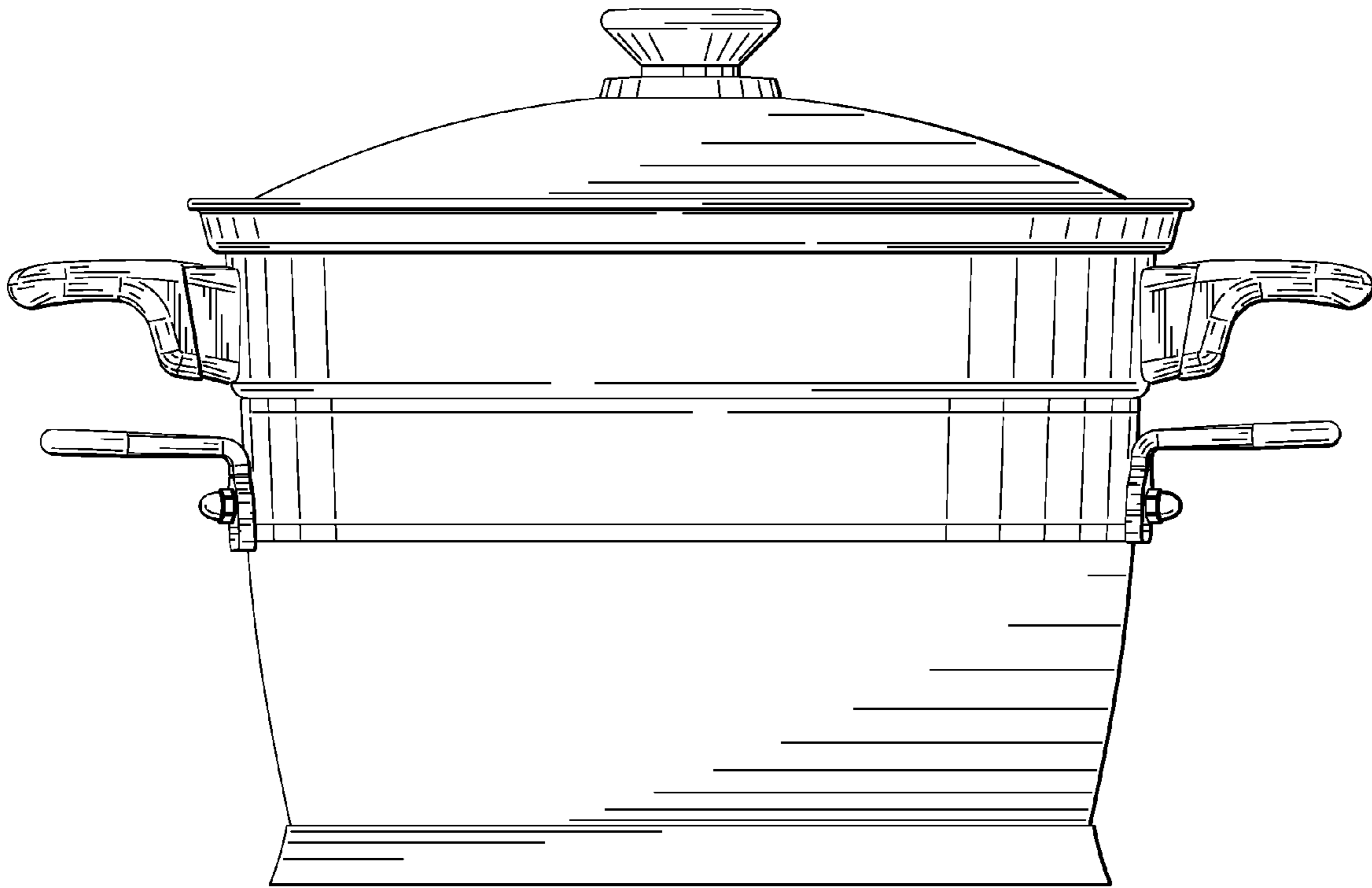


FIG. 2

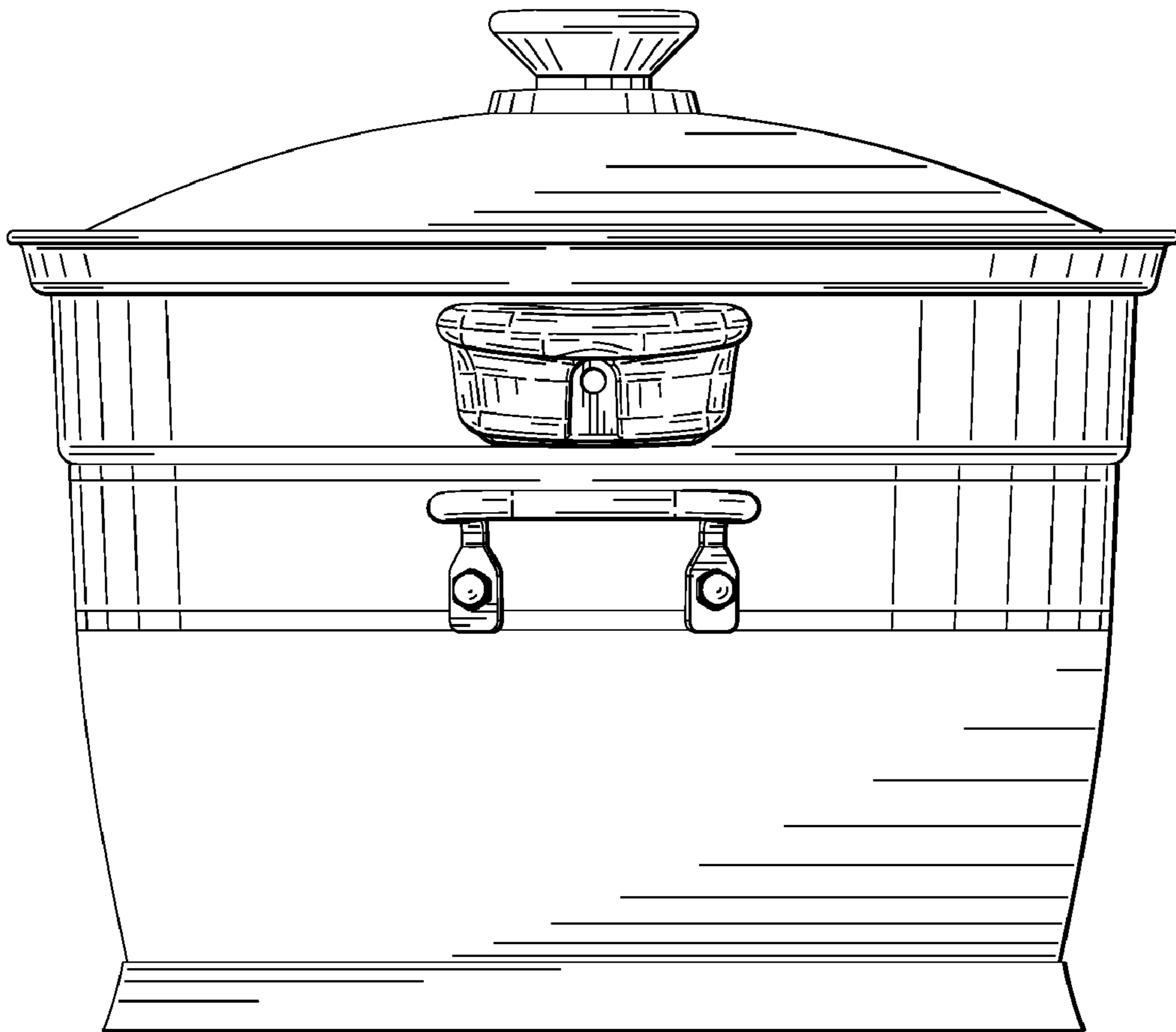


FIG. 3

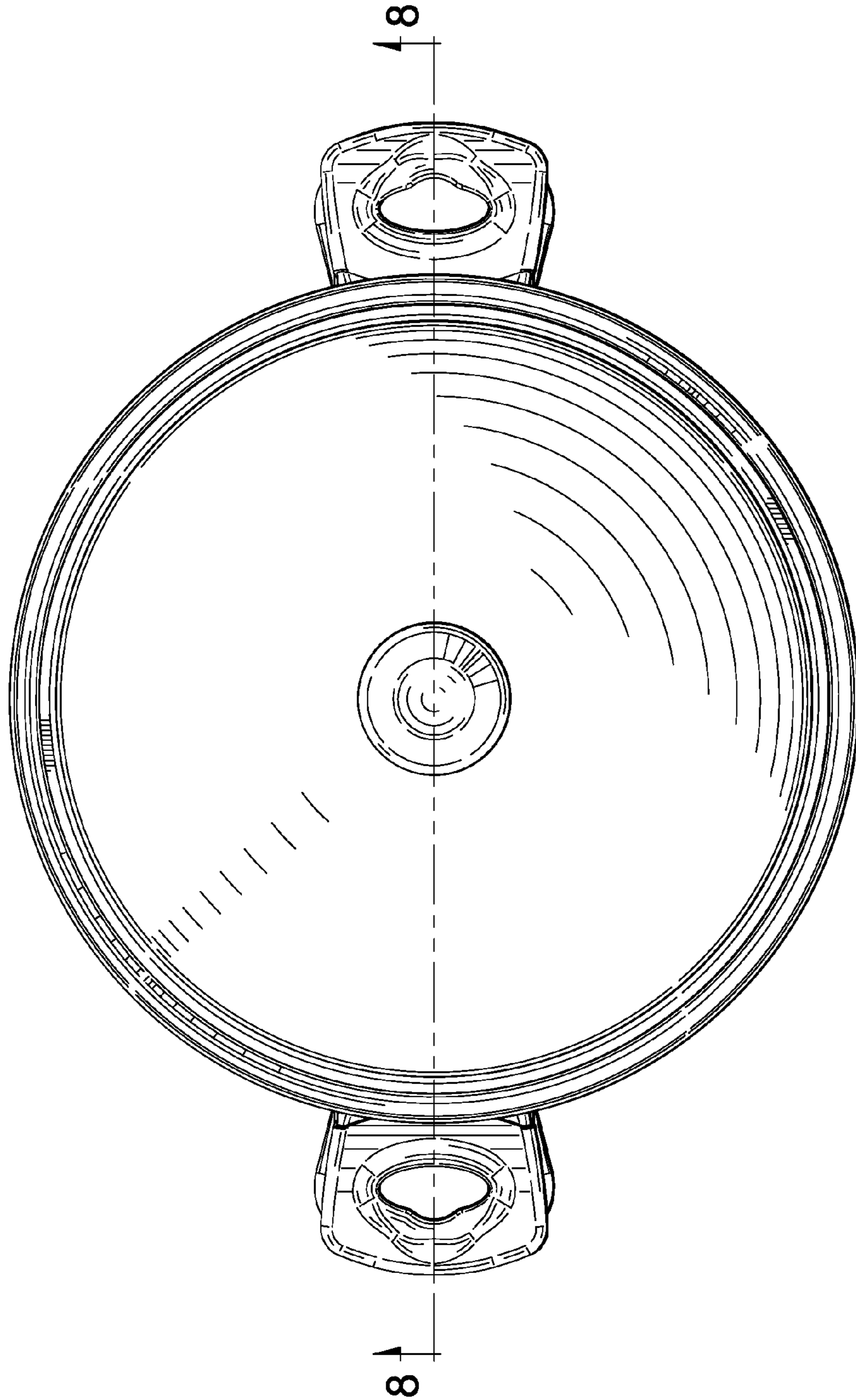


FIG. 4

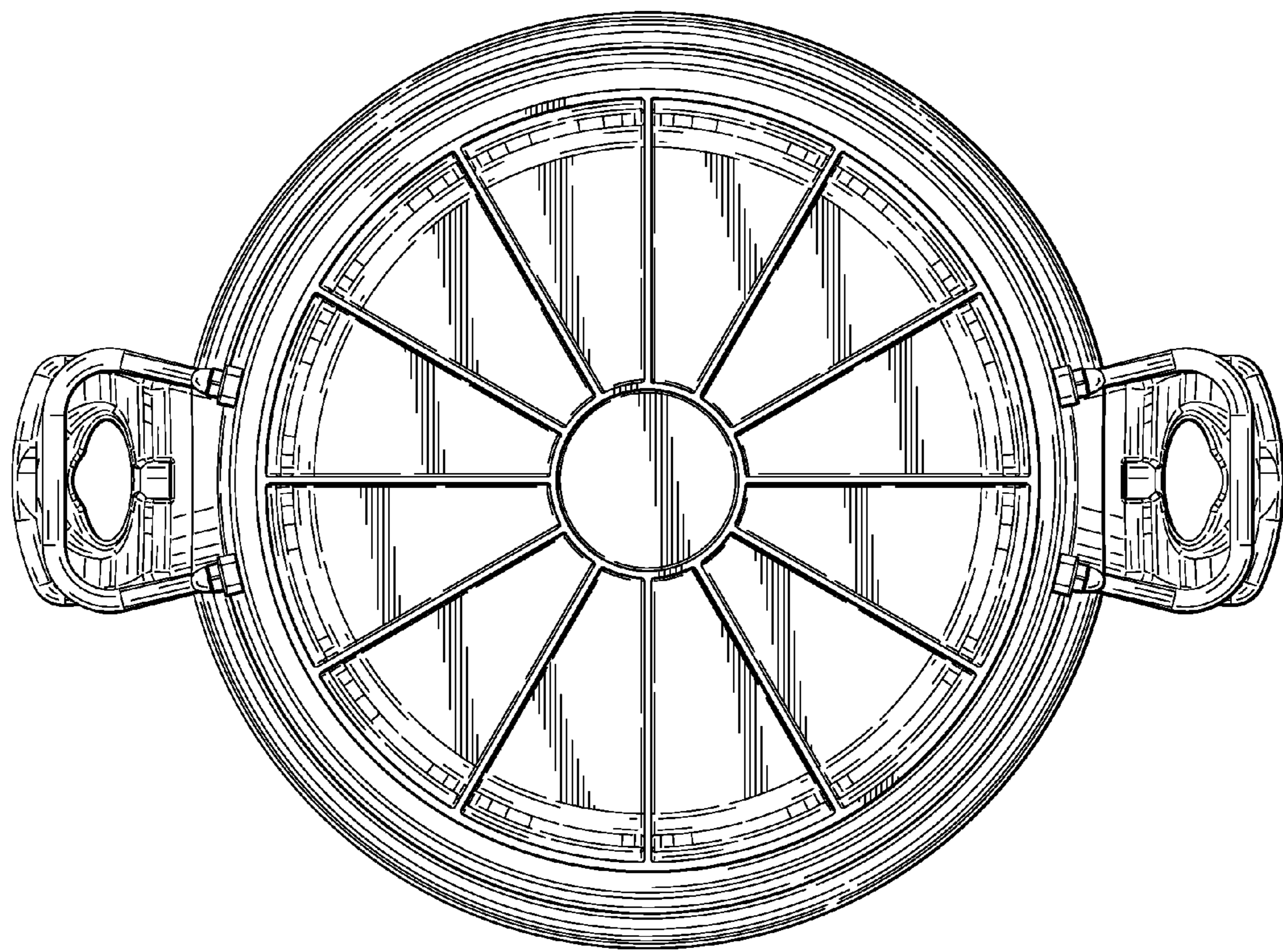


FIG. 5

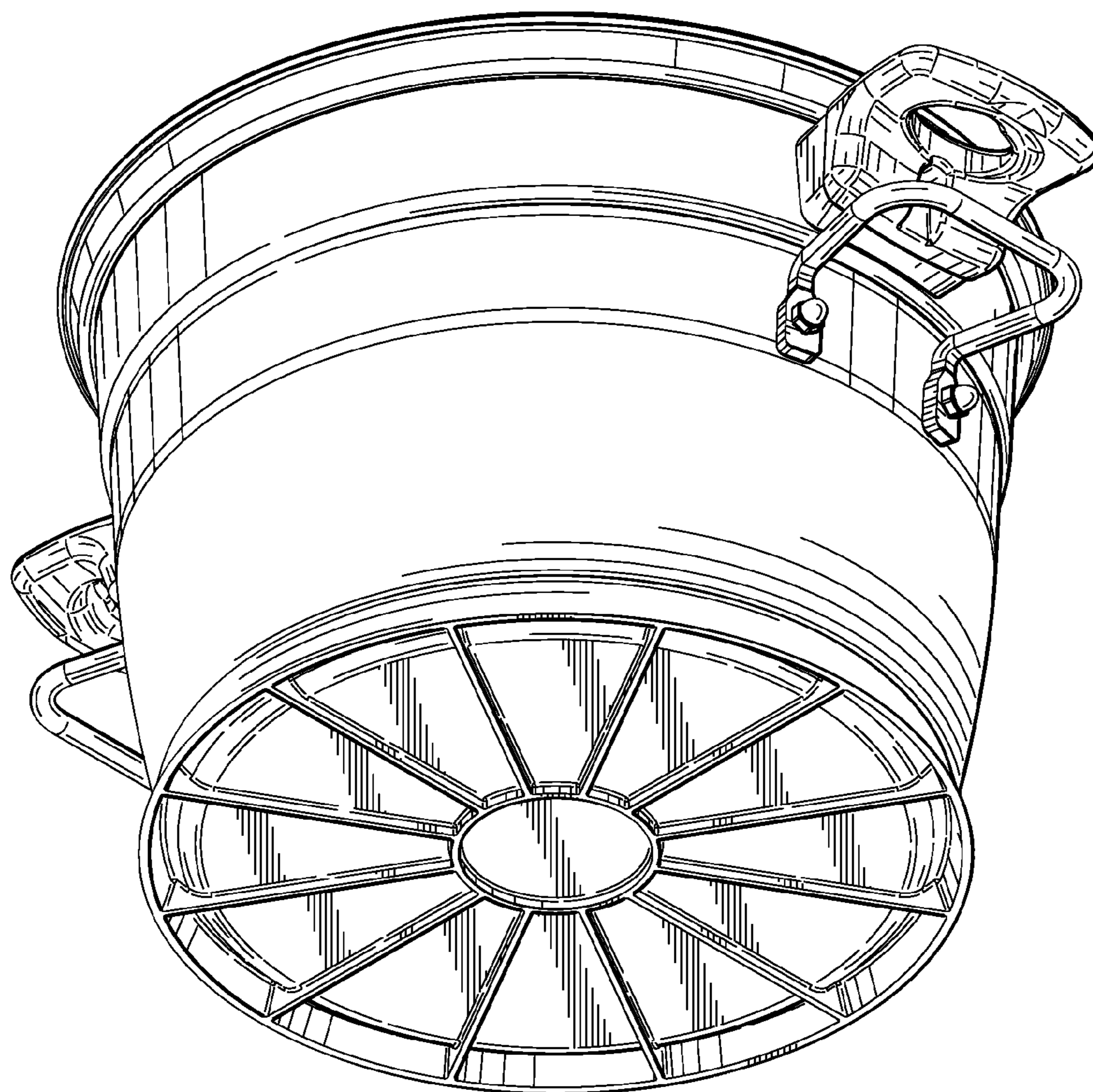


FIG. 6

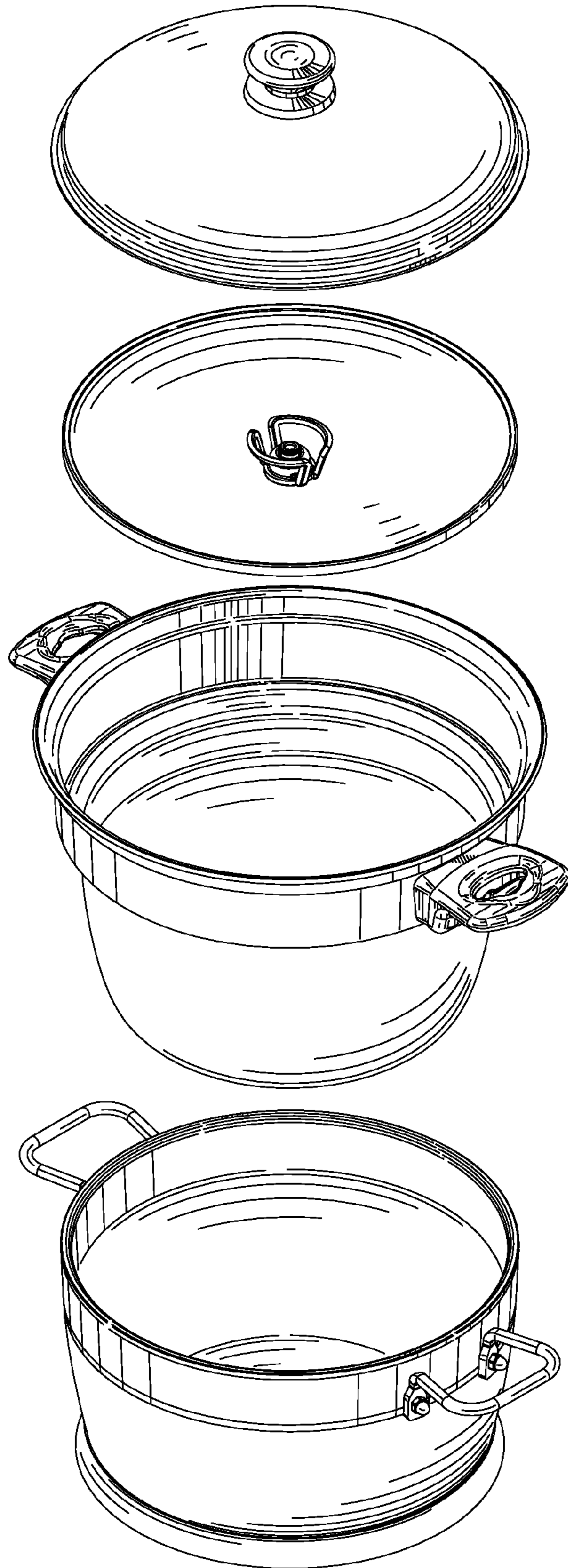


FIG. 7



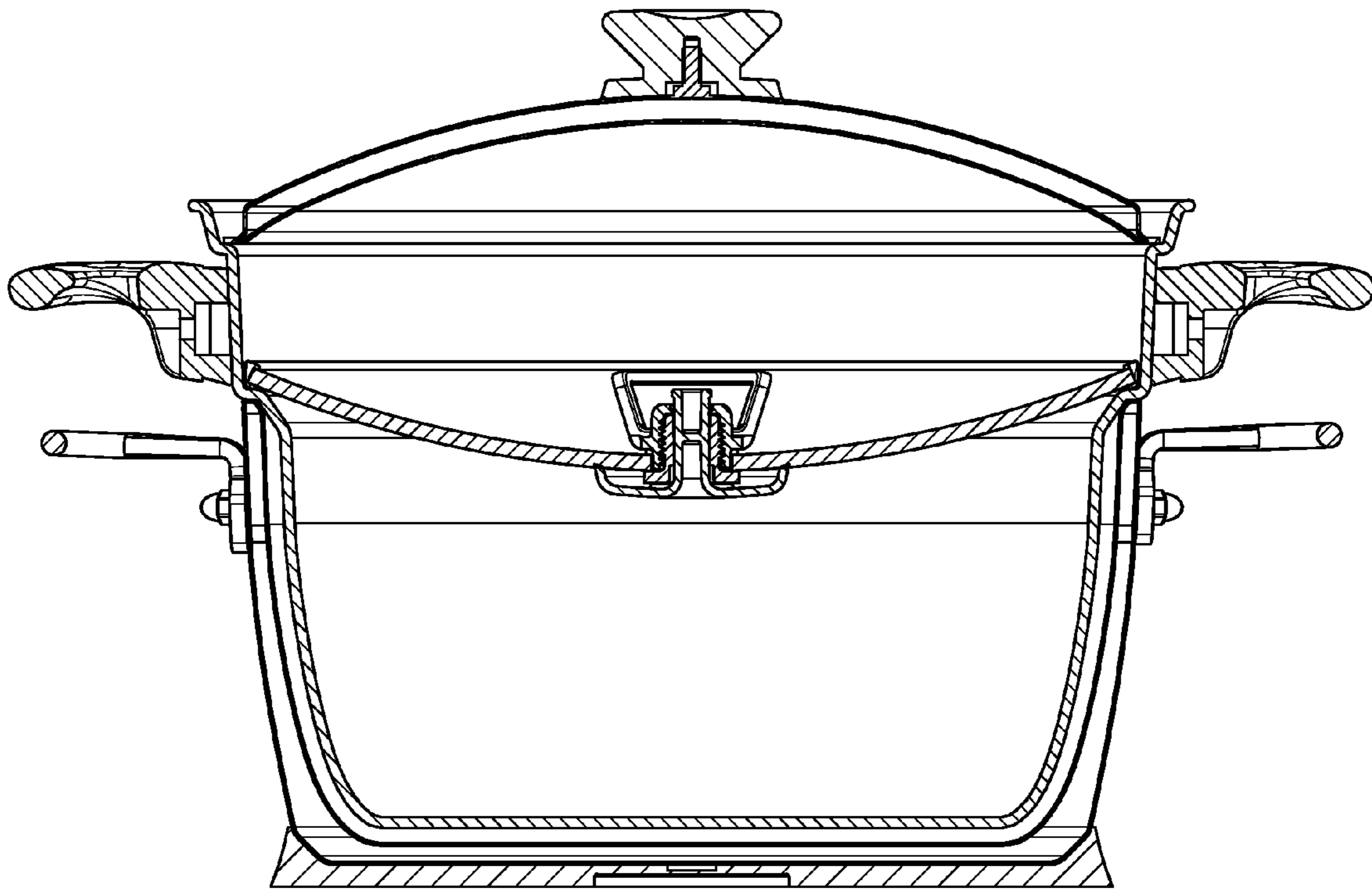


FIG. 8