



US00D618038S

(12) **United States Design Patent**
Davies et al.

(10) **Patent No.:** **US D618,038 S**
(45) **Date of Patent:** **** Jun. 22, 2010**

(54) **FOLDING RING STOVE**

(76) Inventors: **James Davies**, 37031 Schafer, Polson, MT (US) 59860; **Michael Boehm**, 11279 Oakcrest Ave., Ojai, CA (US) 93023

(**) Term: **14 Years**

(21) Appl. No.: **29/339,168**

(22) Filed: **Jun. 25, 2009**

(51) **LOC (9) Cl.** **07-02**

(52) **U.S. Cl.** **D7/337**

(58) **Field of Classification Search** D7/402,
D7/403, 407, 409, 332, 337; 126/40, 43,
126/44, 50, 9 R, 25 A, 41 R; 99/445, 448,
99/450, 372

See application file for complete search history.

(56) **References Cited**

U.S. PATENT DOCUMENTS

D76,697 S *	10/1928	Majewski	D7/337
D196,018 S *	8/1963	Palmer	D7/337
3,331,365 A *	7/1967	Sussan	126/25 R
D229,277 S *	11/1973	Ming-Kong	D7/337
D246,151 S *	10/1977	Chan	D7/337
D249,448 S *	9/1978	Vache	D7/337
D261,347 S *	10/1981	Lutz	D7/337
D296,649 S *	7/1988	Napier	D7/407
5,197,454 A *	3/1993	Lee	126/9 R
D355,809 S *	2/1995	Kothrade	D7/337
5,881,709 A *	3/1999	Daoust	126/44
D416,750 S *	11/1999	Persson	D7/337
D424,364 S *	5/2000	Persson	D7/337
D435,191 S *	12/2000	Cooper	D7/337
D444,991 S *	7/2001	Measom	D7/337
D446,991 S *	8/2001	Taniguchi et al.	D7/337

* cited by examiner

Primary Examiner—Ruth McInroy

(74) *Attorney, Agent, or Firm*—QuickPatents, Inc.; Kevin Prince

(57) **CLAIM**

We claim the ornamental design for a folding ring stove, as shown and described.

DESCRIPTION

FIG. 1 is a perspective view of a folding ring stove in assembled configuration with four air flaps in a lowered position and four alternating air flaps in a raised position showing our new design;

FIG. 2 is an exploded perspective view thereof, illustrating a base and a ring insert in a disassembled configuration;

FIG. 3 is a left-side elevational view thereof, illustrated in the assembled configuration with four air flaps in the lowered position and four alternating air flaps in the raised position, the right-side elevational view, front elevational view, and rear elevational view all being a mirror image thereof;

FIG. 4 is a left-side elevational view of the ring insert thereof, the right-side elevational view, front elevational view, and rear elevational view all being a mirror image thereof;

FIG. 5 is a left-side elevational view of the base thereof, illustrated with four air flaps in the lowered position and four alternating air flaps in the raised position, the right-side elevational view, front elevational view, and rear elevational view all being a mirror image thereof;

FIG. 6 is a top plan view of the ring insert;

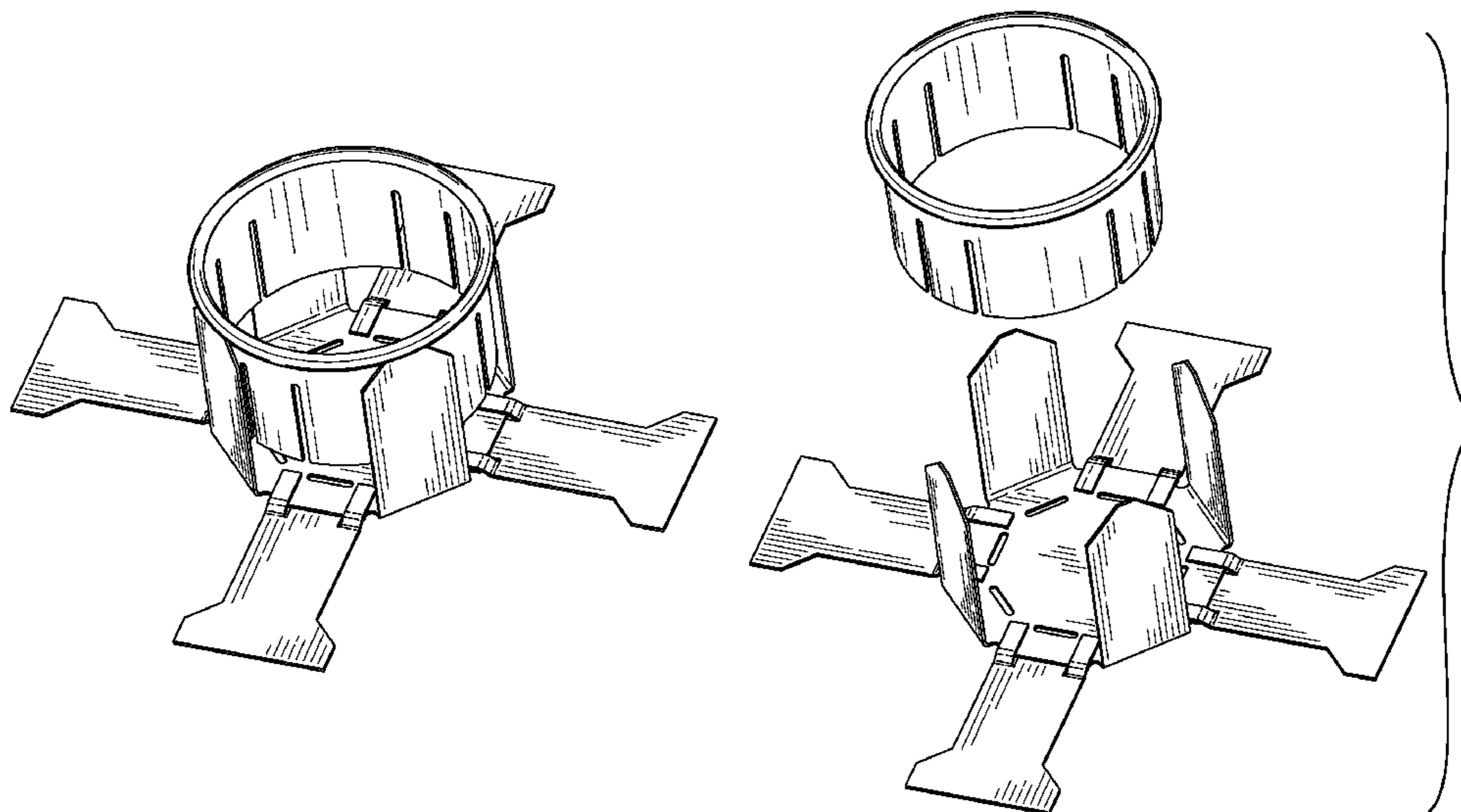
FIG. 7 is a bottom plan view of the ring insert;

FIG. 8 is a bottom plan view of the base, illustrated with four air flaps in the lowered position and four alternating air flaps in the raised position; and,

FIG. 9 is a top plan view thereof.

FIGS. 4–9 are shown separate for clarity of illustration. The claim is fully shown in FIGS. 1–3.

1 Claim, 4 Drawing Sheets



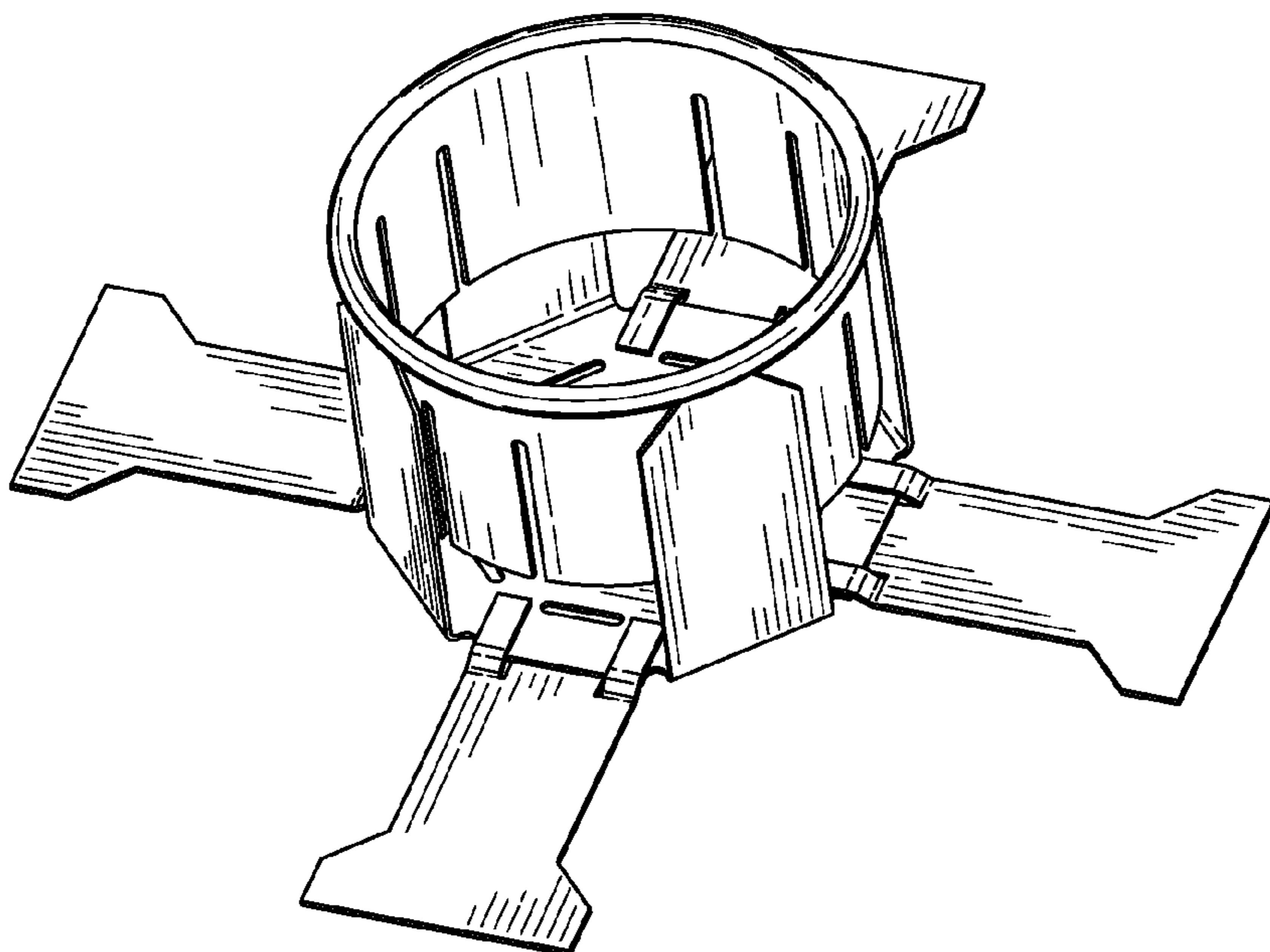


FIG. 1

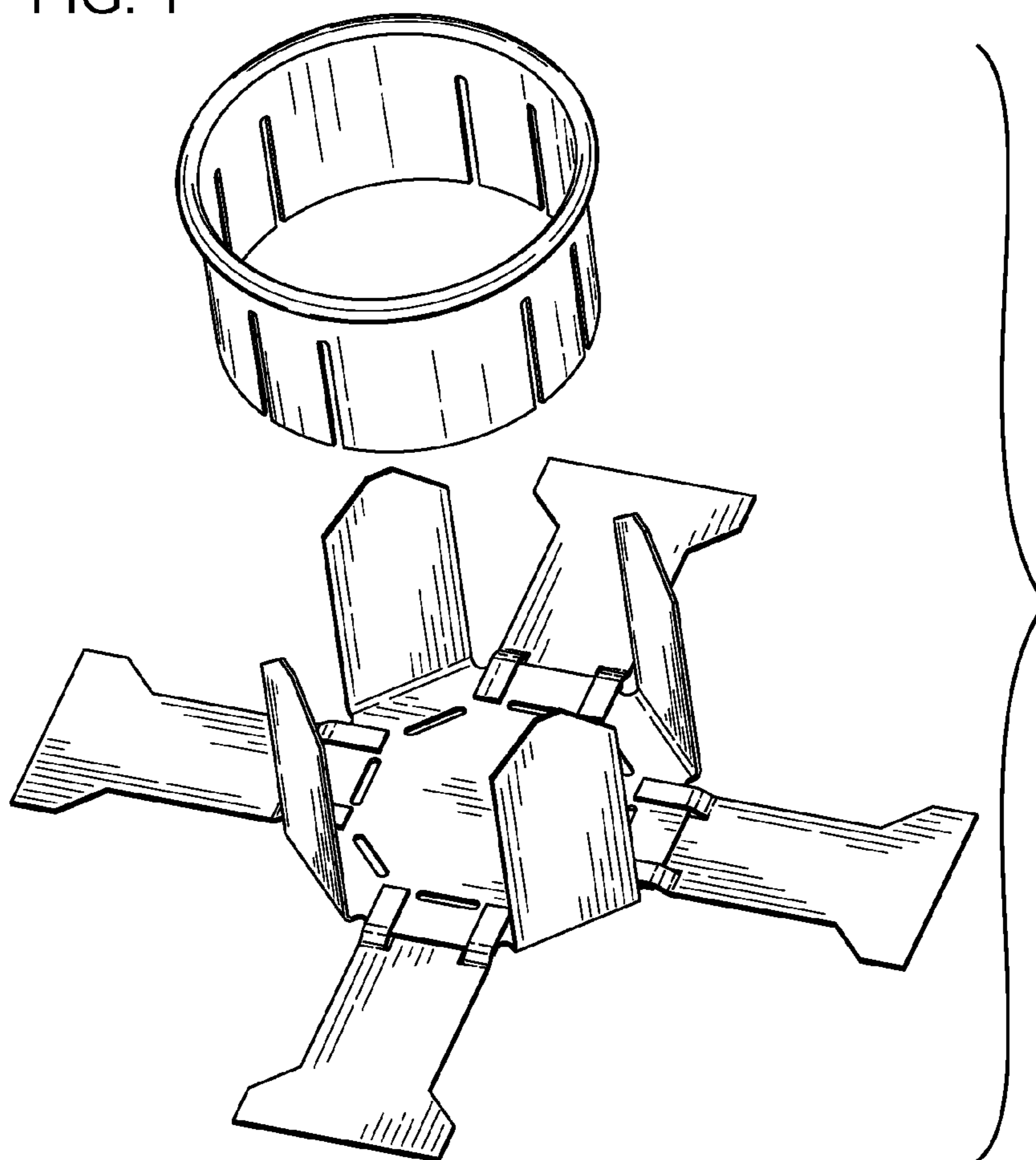


FIG. 2

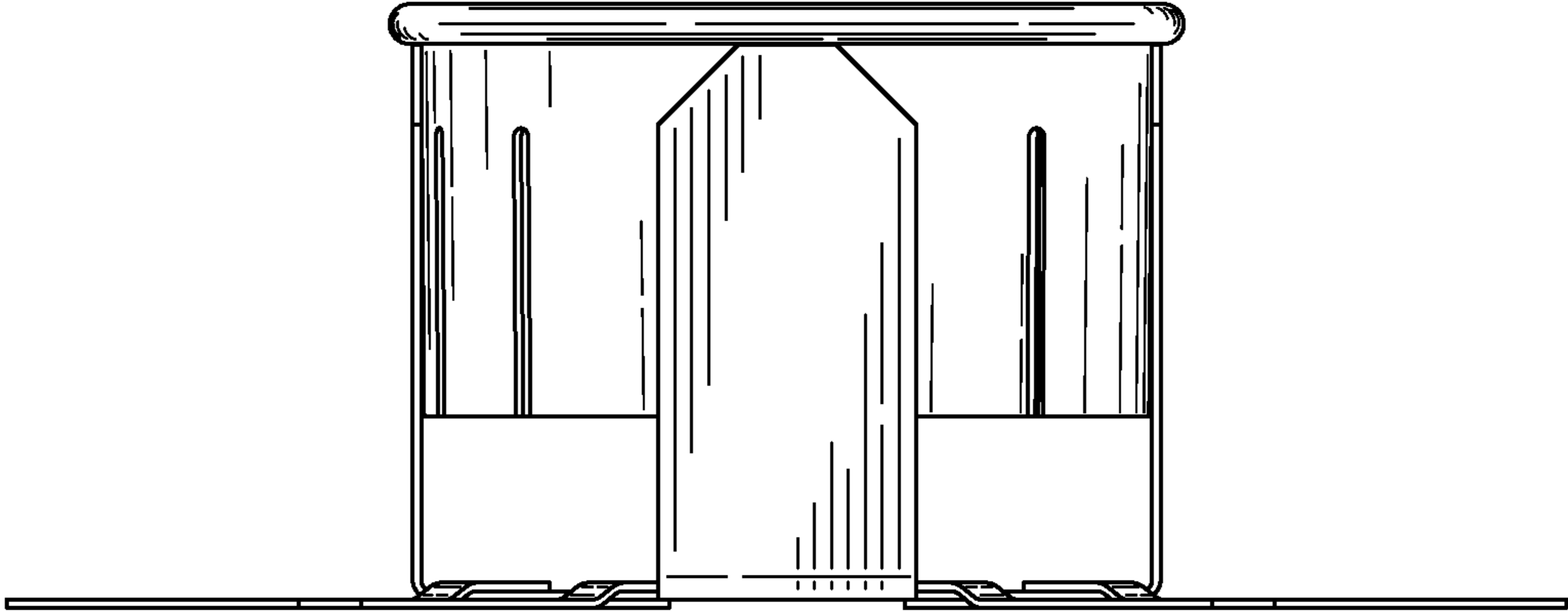


FIG. 3

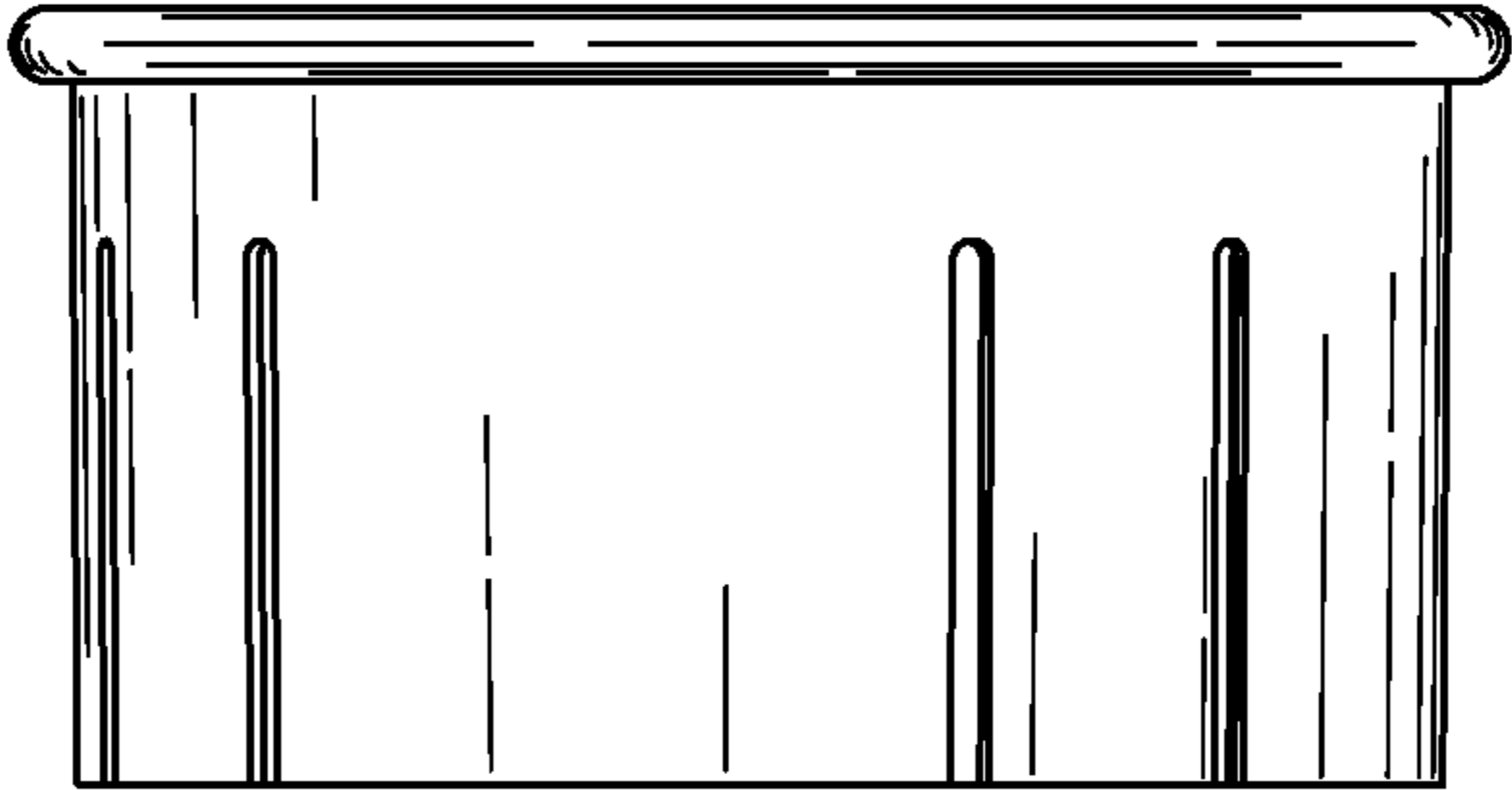


FIG. 4

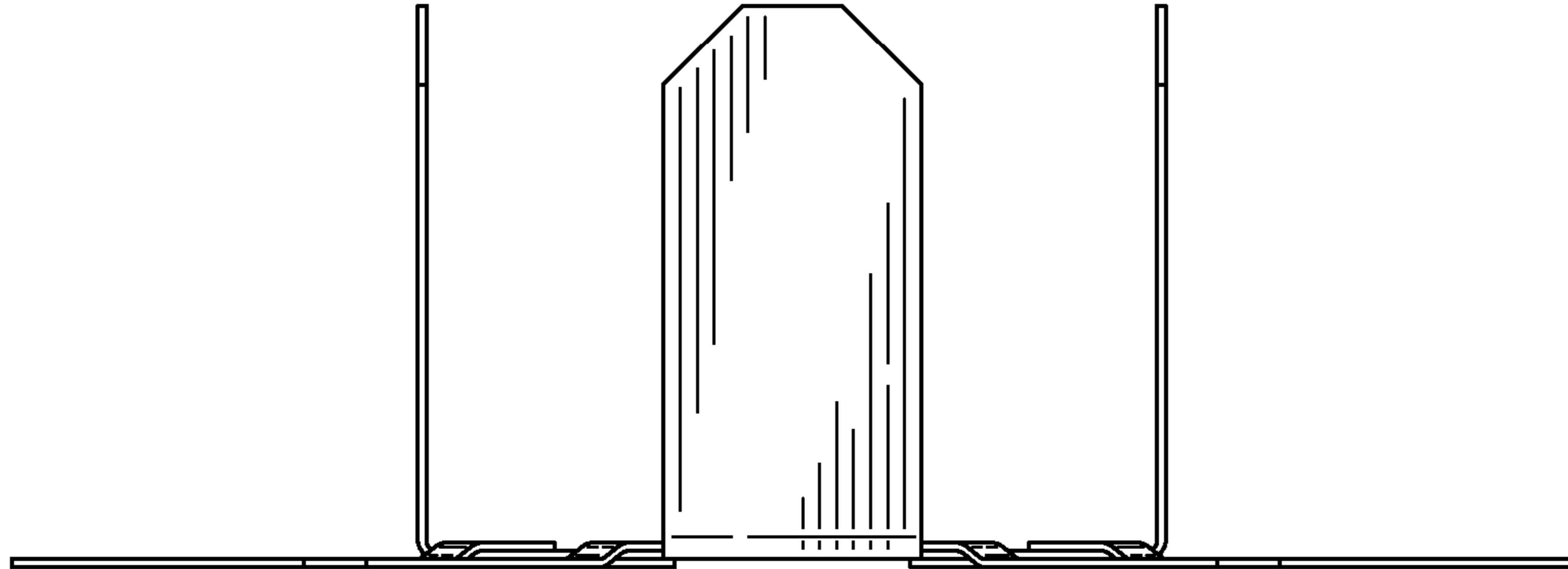


FIG. 5

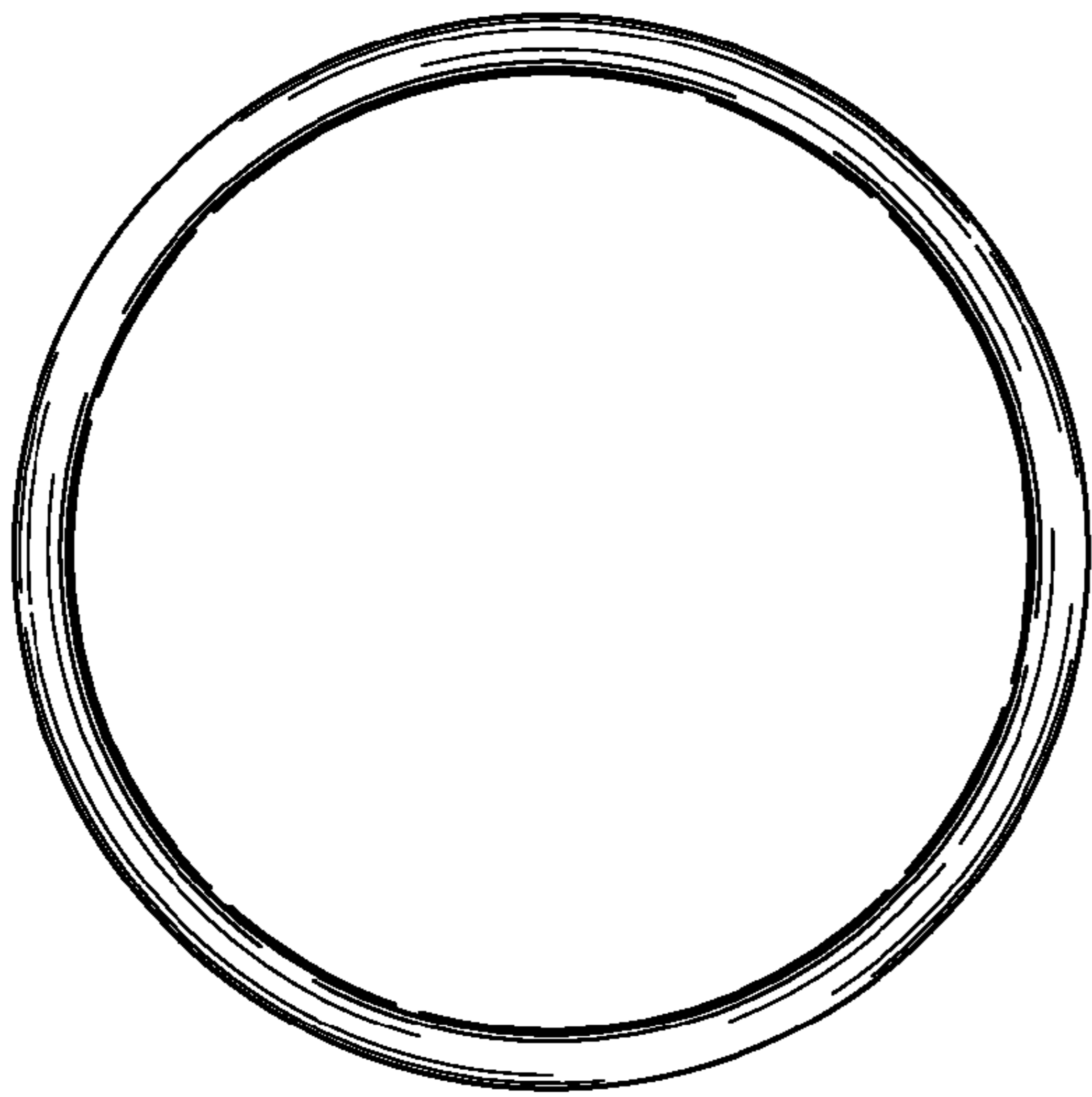


FIG. 6

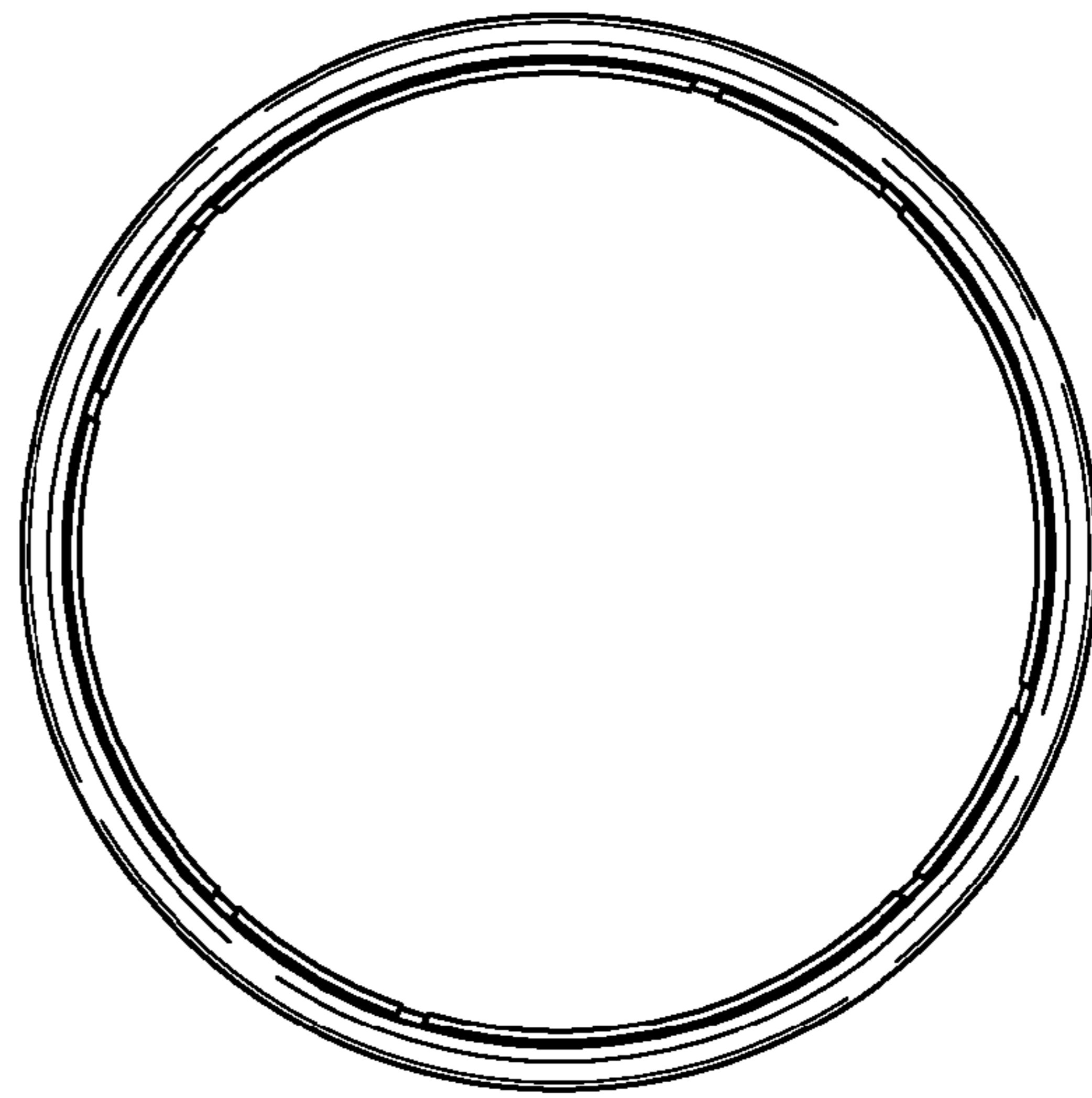


FIG. 7

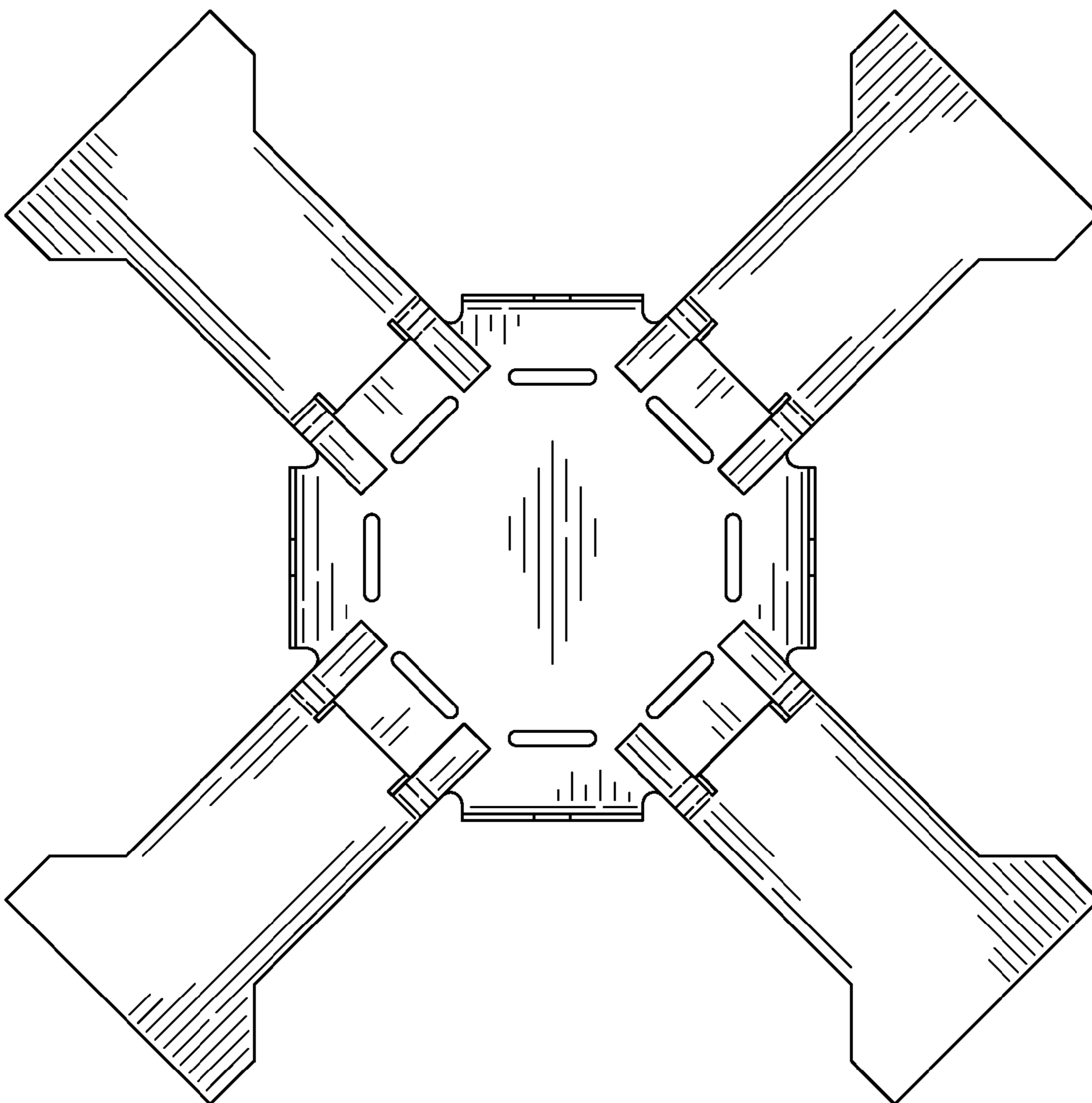


FIG. 8

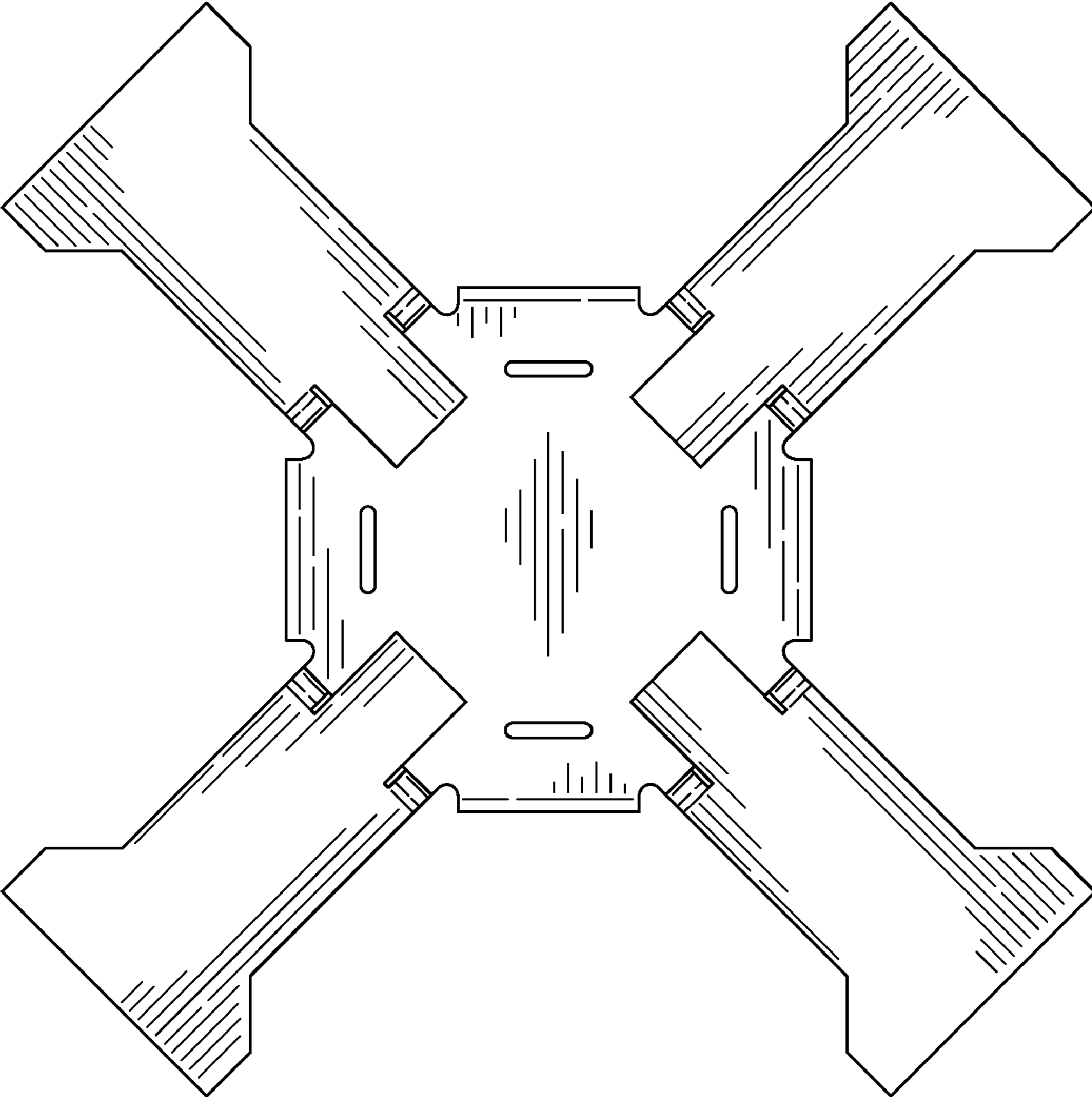


FIG. 9