



US00D618037S

(12) **United States Design Patent**
Chung

(10) **Patent No.:** **US D618,037 S**

(45) **Date of Patent:** **** Jun. 22, 2010**

(54) **BARBECUE GRILL**

(76) Inventor: **Kiosky Chung**, No.72, Chaoguei Rd.,
Situn District, Taichung City 407 (TW)

(**) Term: **14 Years**

(21) Appl. No.: **29/346,220**

(22) Filed: **Oct. 28, 2009**

(51) **LOC (9) Cl.** **15-05**

(52) **U.S. Cl.** **D7/334**

(58) **Field of Classification Search** D7/332,
D7/334-337, 402-405; 99/339, 449, 450,
99/482; 126/25 R, 9 R, 41 R, 50, 276, 304 A,
126/268

See application file for complete search history.

(56) **References Cited**

U.S. PATENT DOCUMENTS

| | | | | | |
|------------|---|---------|-------|-------|--------|
| D480,907 S | * | 10/2003 | Pai | | D7/334 |
| D511,924 S | * | 11/2005 | Chung | | D7/334 |
| D512,263 S | * | 12/2005 | Chung | | D7/334 |
| D526,833 S | * | 8/2006 | Chung | | D7/334 |
| D526,834 S | * | 8/2006 | Chung | | D7/334 |

D572,072 S * 7/2008 Chung D7/334
2008/0314376 A1 * 12/2008 Chung 126/25 R

* cited by examiner

Primary Examiner—Ruth McInroy
(74) *Attorney, Agent, or Firm*—Banger Shia

(57) **CLAIM**

I claim the ornamental design for a barbecue grill, as shown and described.

DESCRIPTION

FIG. 1 is a perspective view of a barbecue grill, showing my new design;

FIG. 2 is a front elevational view thereof;

FIG. 3 is a rear elevational view thereof;

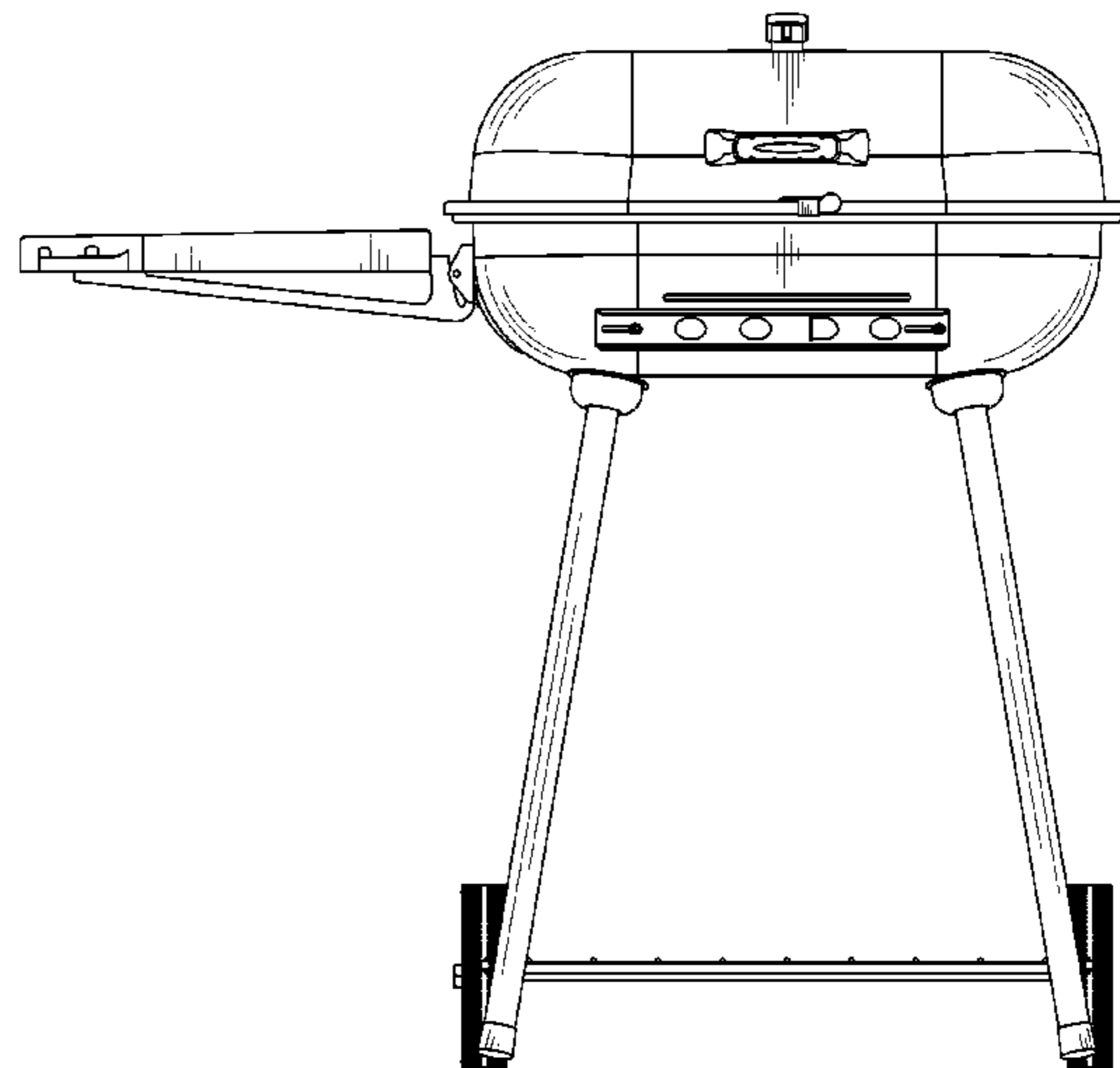
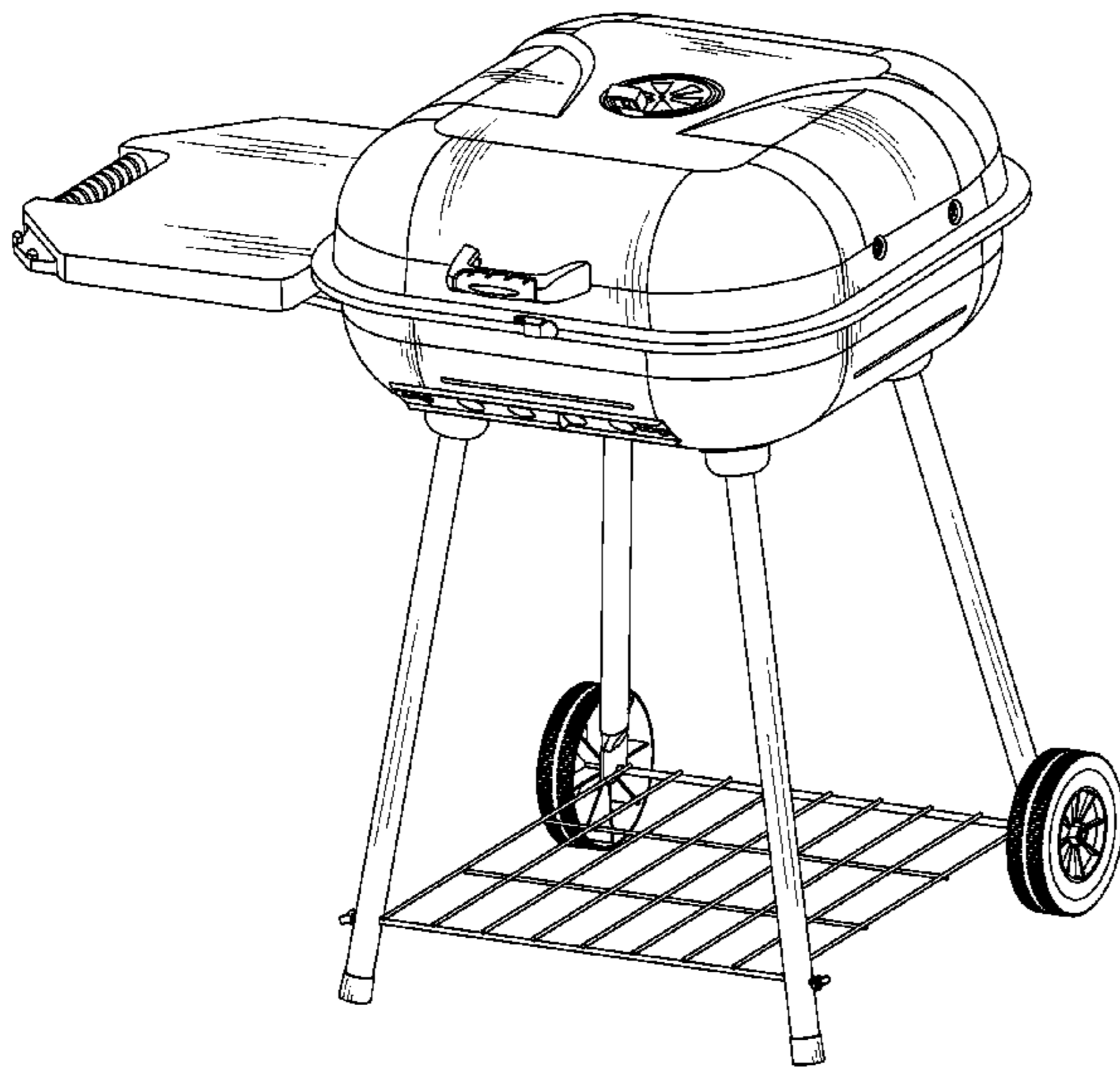
FIG. 4 is a left side elevational view thereof;

FIG. 5 is a right side elevational view thereof;

FIG. 6 is a top plan view thereof; and,

FIG. 7 is a bottom plan view thereof.

1 Claim, 7 Drawing Sheets



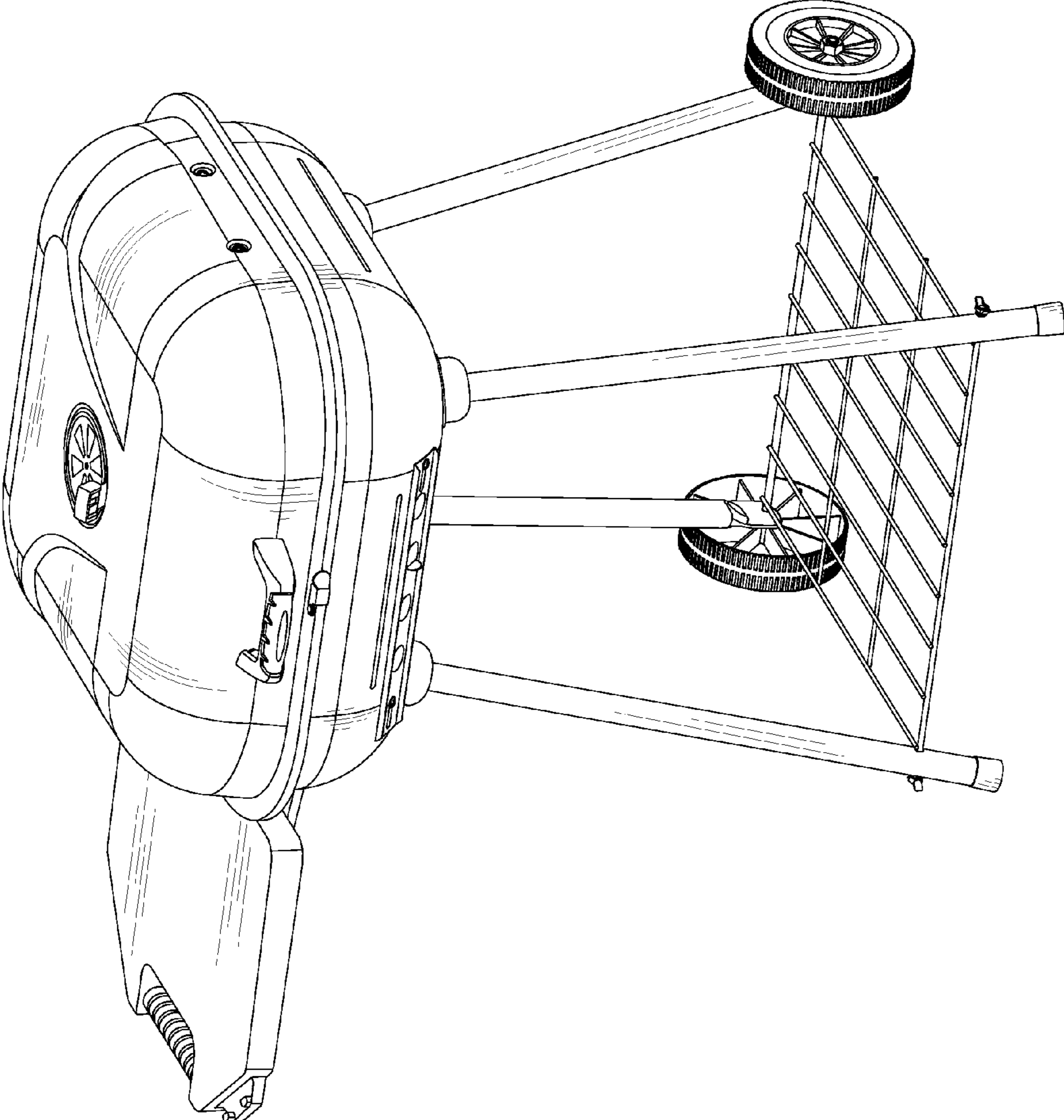


FIG. 1

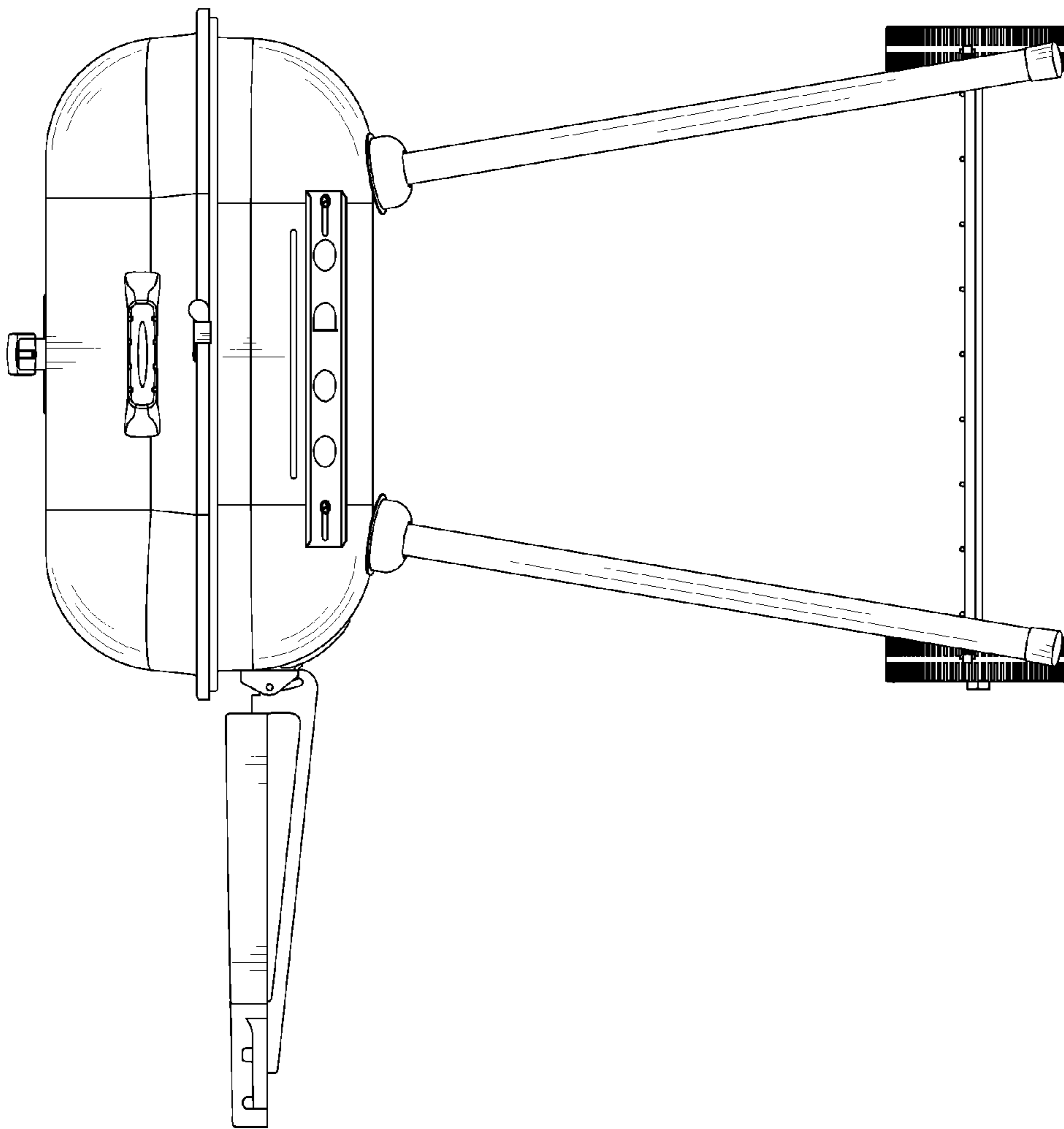


FIG. 2

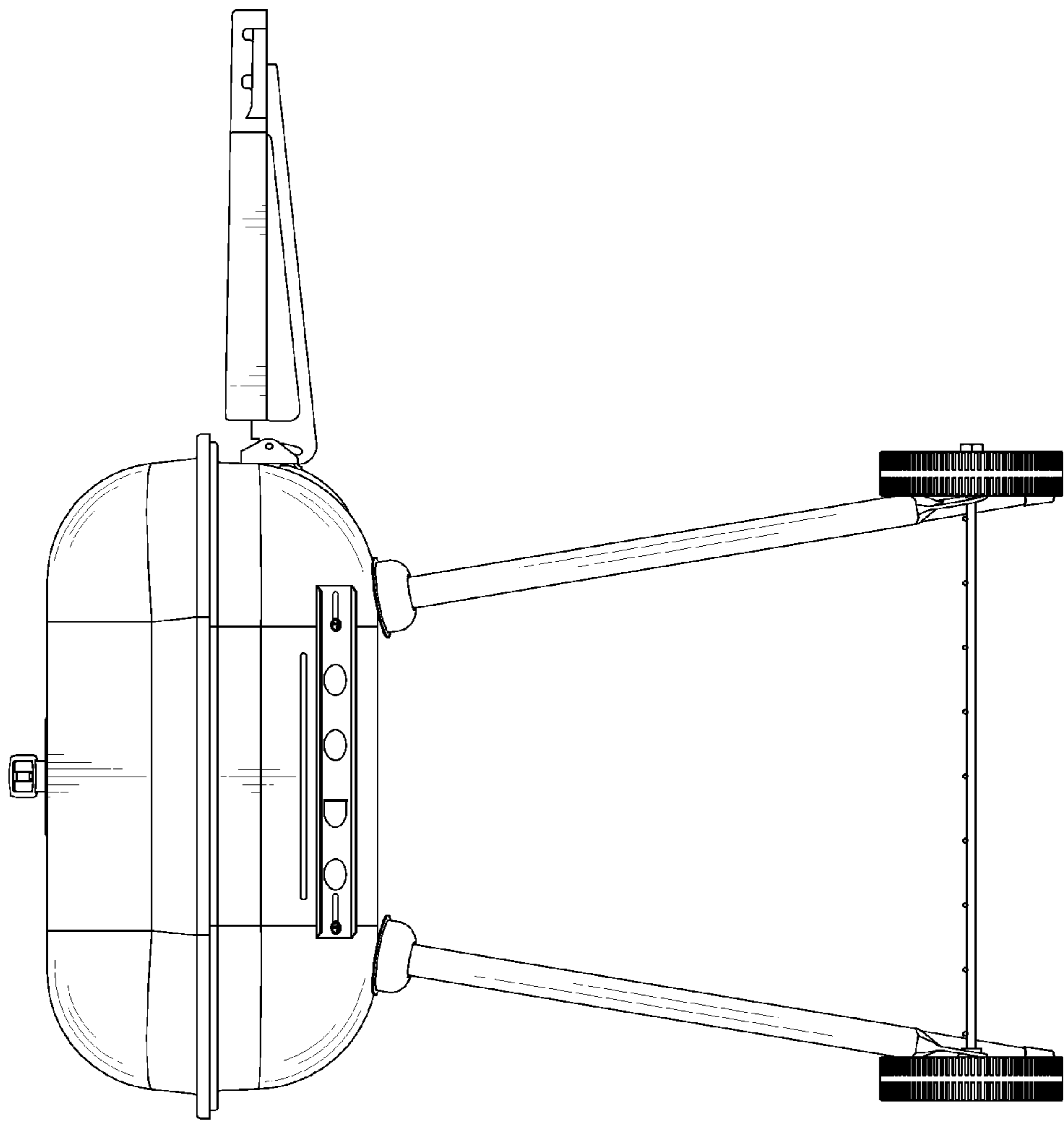


FIG. 3

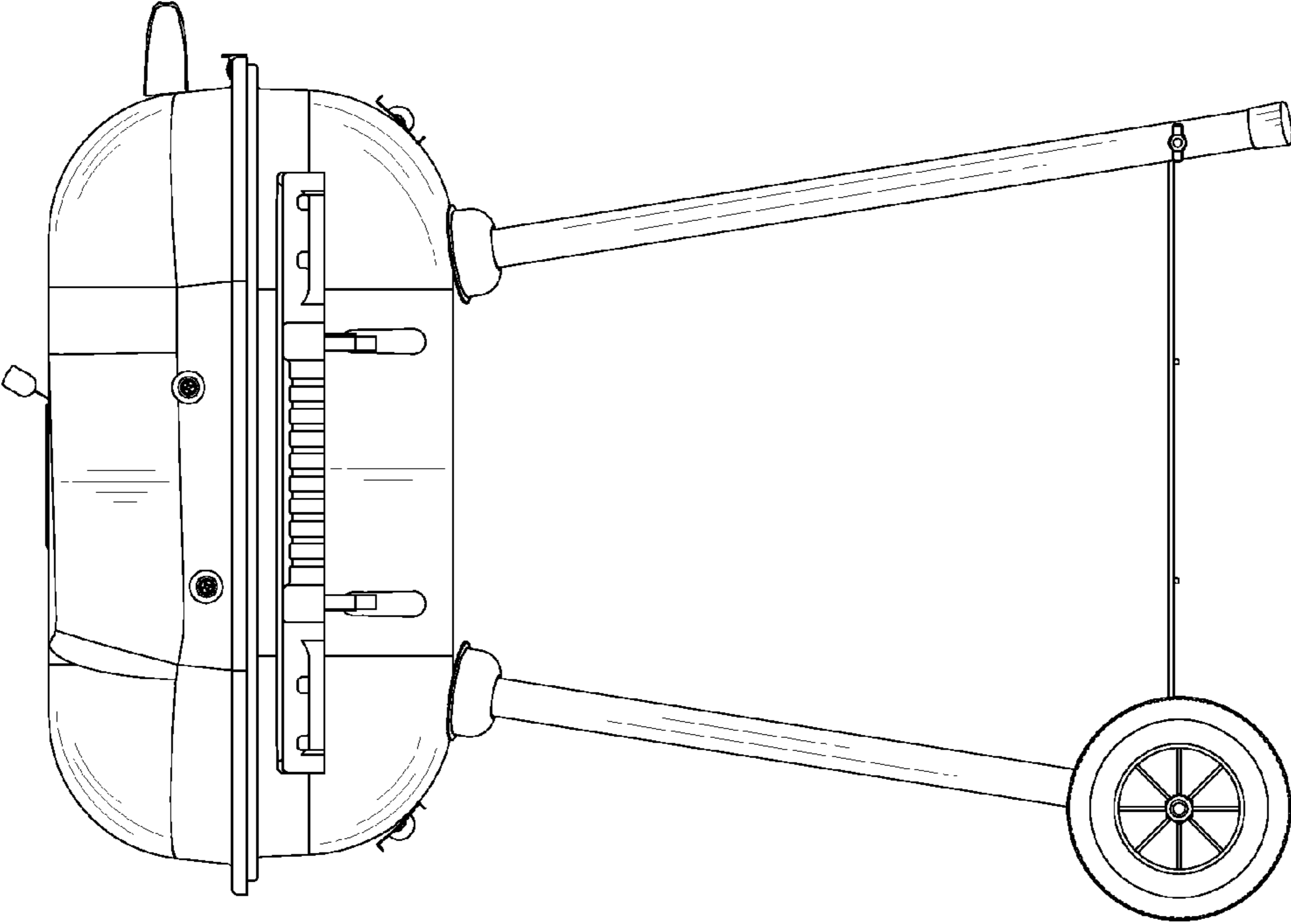


FIG. 4

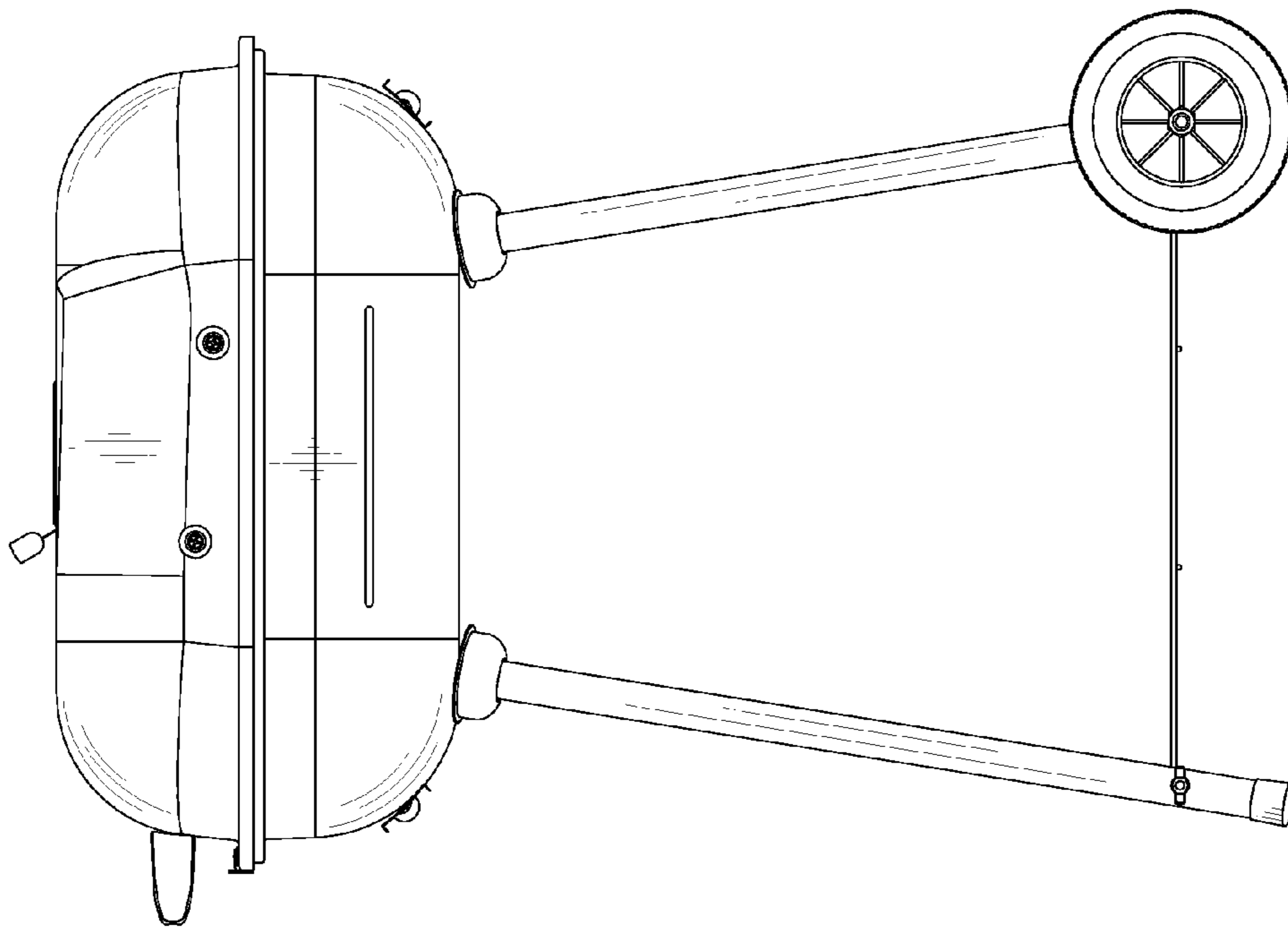


FIG. 5

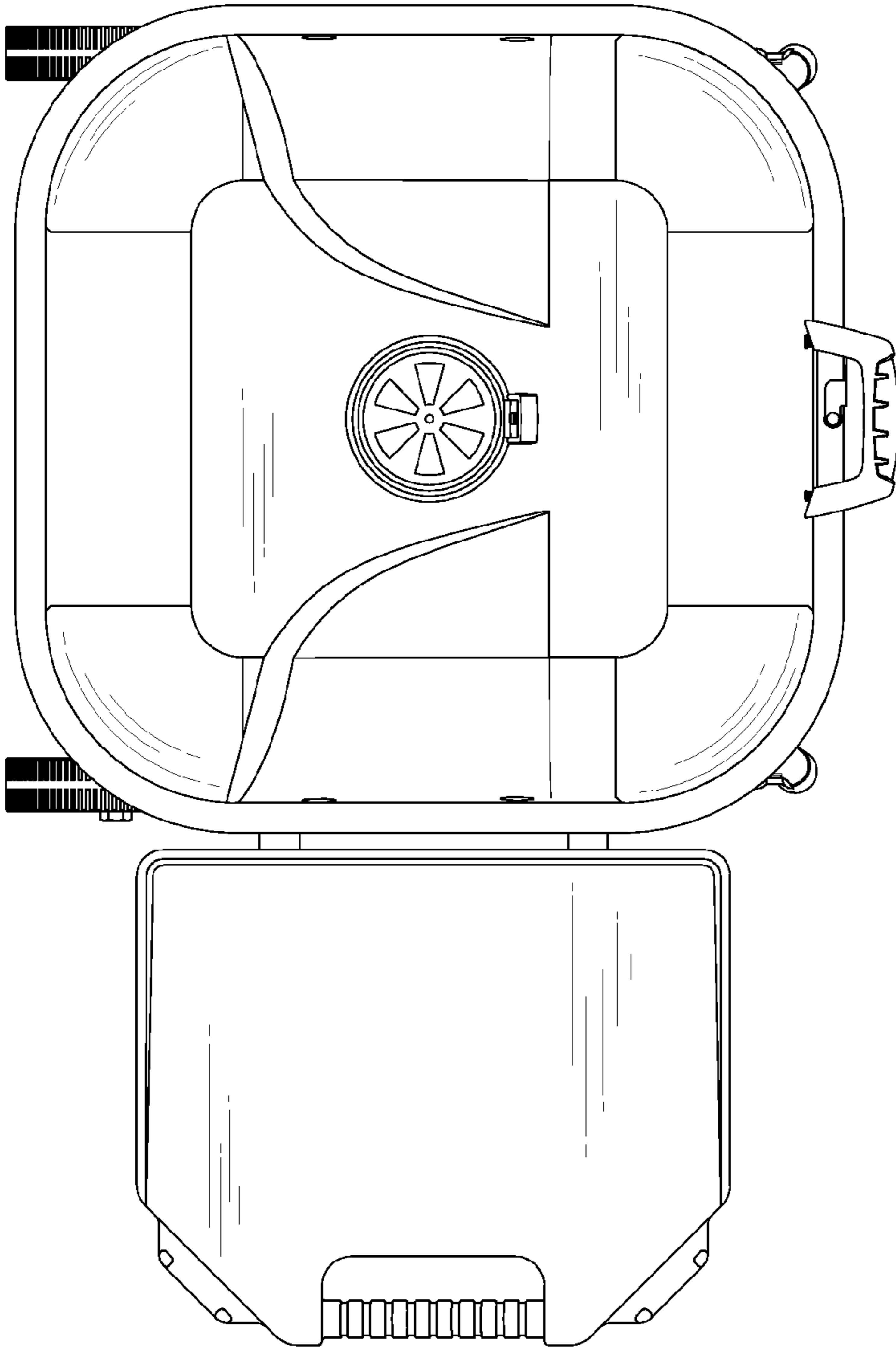


FIG. 6

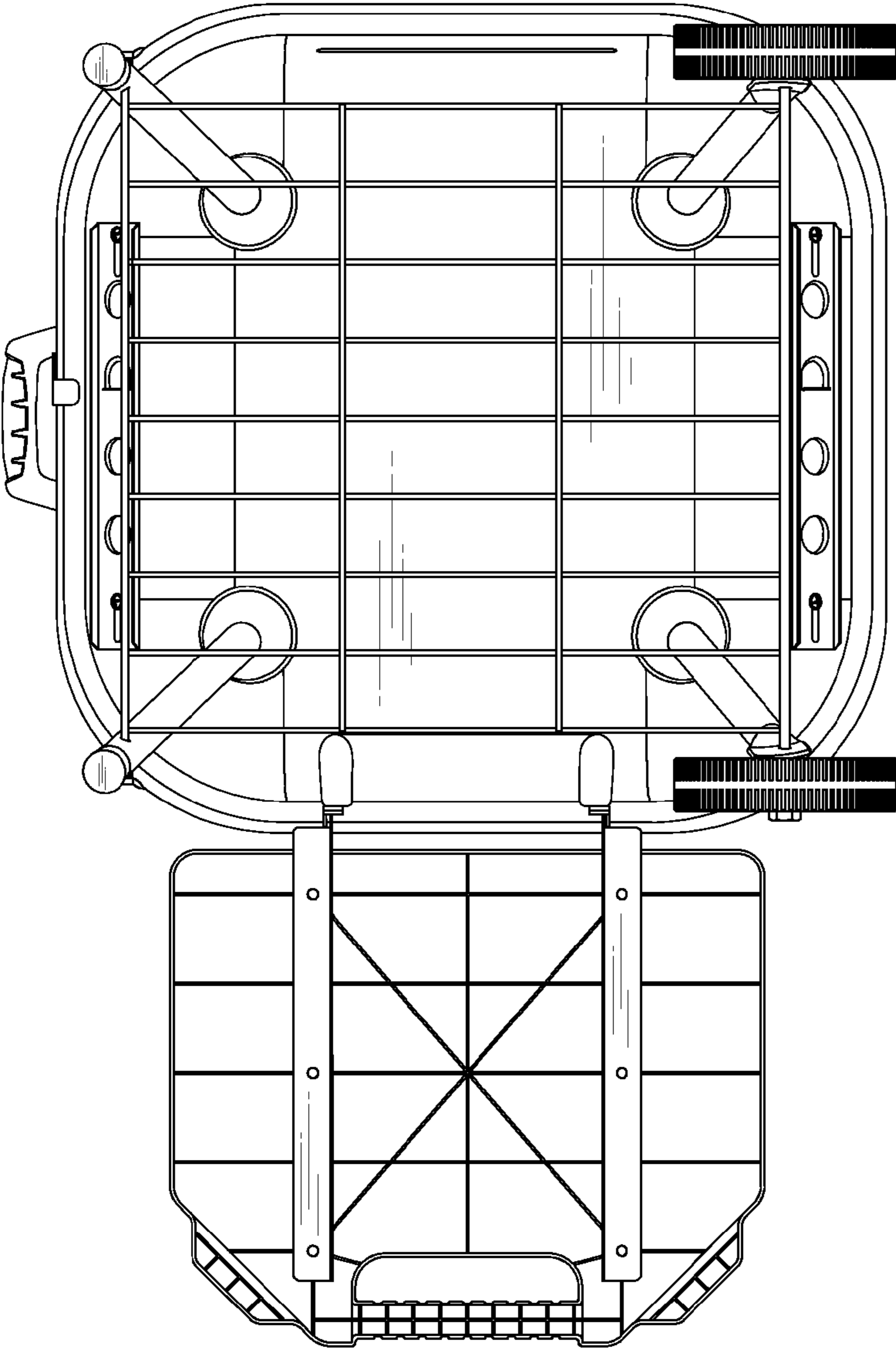


FIG. 7