



US00D618036S

(12) **United States Design Patent**  
**Chung**

(10) **Patent No.:** **US D618,036 S**  
(45) **Date of Patent:** **\*\* Jun. 22, 2010**

(54) **BARBECUE GRILL**

(76) Inventor: **Kiosky Chung**, No. 72, Chaoguei Rd.,  
Situn District, Taichung City 407 (TW)

(\*\*) Term: **14 Years**

(21) Appl. No.: **29/342,111**

(22) Filed: **Aug. 18, 2009**

(51) **LOC (9) Cl.** ..... **07-02**

(52) **U.S. Cl.** ..... **D7/334**

(58) **Field of Classification Search** ..... D7/332,  
D7/334-337, 402-404, 406-407; 126/37 R,  
126/25 R, 41 R, 41 C, 41 D, 41 E, 9 R, 44,  
126/50, 39 E, 91 A; 99/339, 340, 450, 444;  
431/354

See application file for complete search history.

(56) **References Cited**

**U.S. PATENT DOCUMENTS**

6,439,222	B1 *	8/2002	Dixon et al.	.....	126/41 R
D528,848	S *	9/2006	Chung	.....	D7/334
D528,849	S *	9/2006	Chung	.....	D7/334
D528,851	S *	9/2006	Chung	.....	D7/334
D529,329	S *	10/2006	Chung	.....	D7/334
D529,330	S *	10/2006	Chung	.....	D7/334
D529,331	S *	10/2006	Chung	.....	D7/334
D544,290	S *	6/2007	Pai	.....	D7/334
D547,594	S *	7/2007	Pai	.....	D7/334
D549,510	S *	8/2007	Chung	.....	D7/334
D550,501	S *	9/2007	Chung	.....	D7/334

D560,417	S *	1/2008	Ho et al.	.....	D7/334
D568,670	S *	5/2008	Proffitt et al.	.....	D7/334
D570,150	S *	6/2008	Pai	.....	D7/334
D576,441	S *	9/2008	Chung	.....	D7/334
D579,709	S *	11/2008	Proffitt et al.	.....	D7/334
D601,378	S *	10/2009	Chung	.....	D7/334
D605,892	S *	12/2009	Proffitt et al.	.....	D7/334
D607,262	S *	1/2010	Chung	.....	D7/334
D608,580	S *	1/2010	Pai	.....	D7/334
2005/0205077	A1 *	9/2005	Williams et al.	.....	126/41 R

\* cited by examiner

*Primary Examiner*—Ruth McInroy

(74) *Attorney, Agent, or Firm*—Banger Shia

(57) **CLAIM**

I claim the ornamental design for a barbecue grill, as shown and described.

**DESCRIPTION**

FIG. 1 is a perspective view of a barbecue grill, showing my new design;

FIG. 2 is a front elevational view thereof;

FIG. 3 is a rear elevational view thereof;

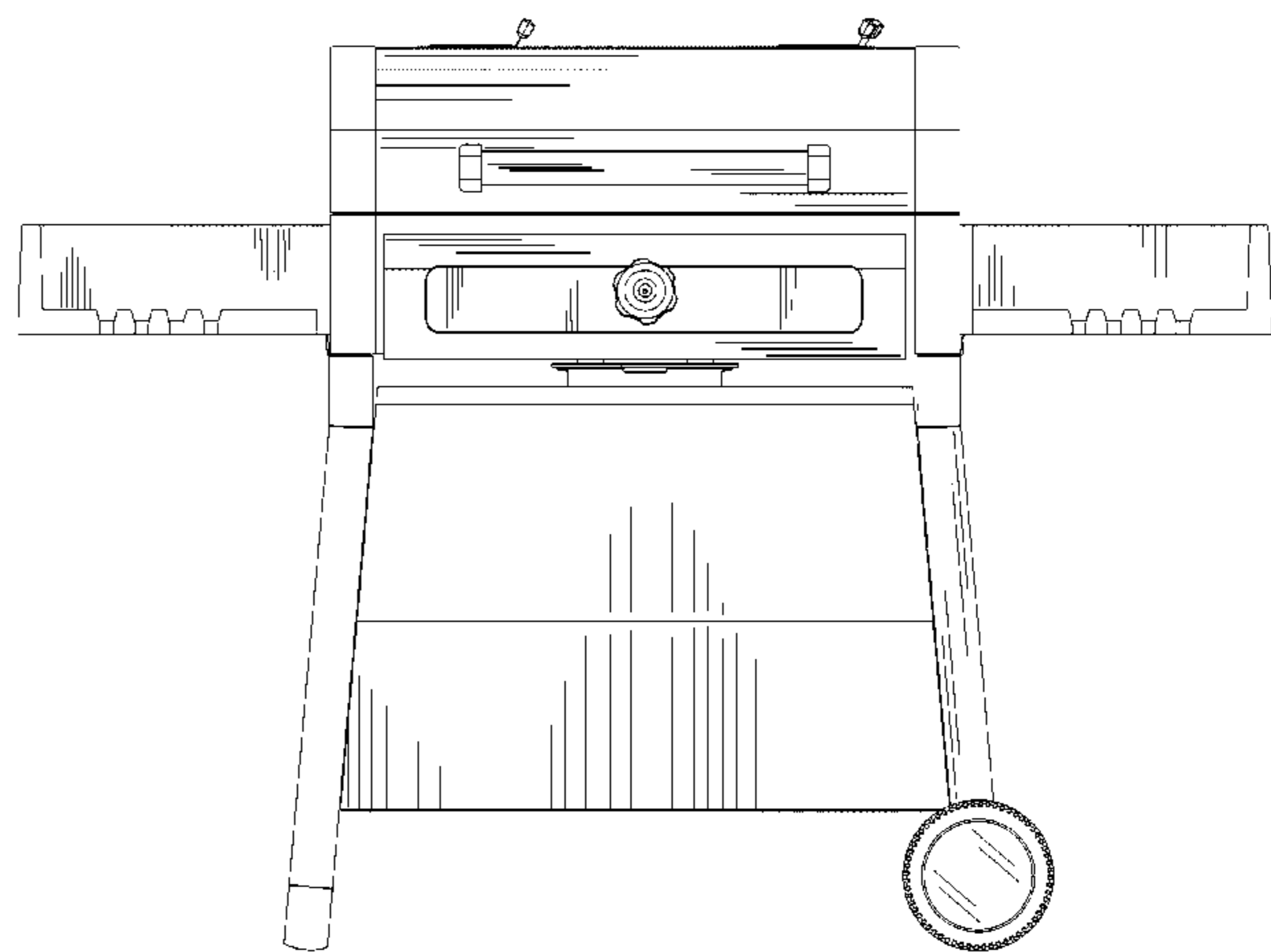
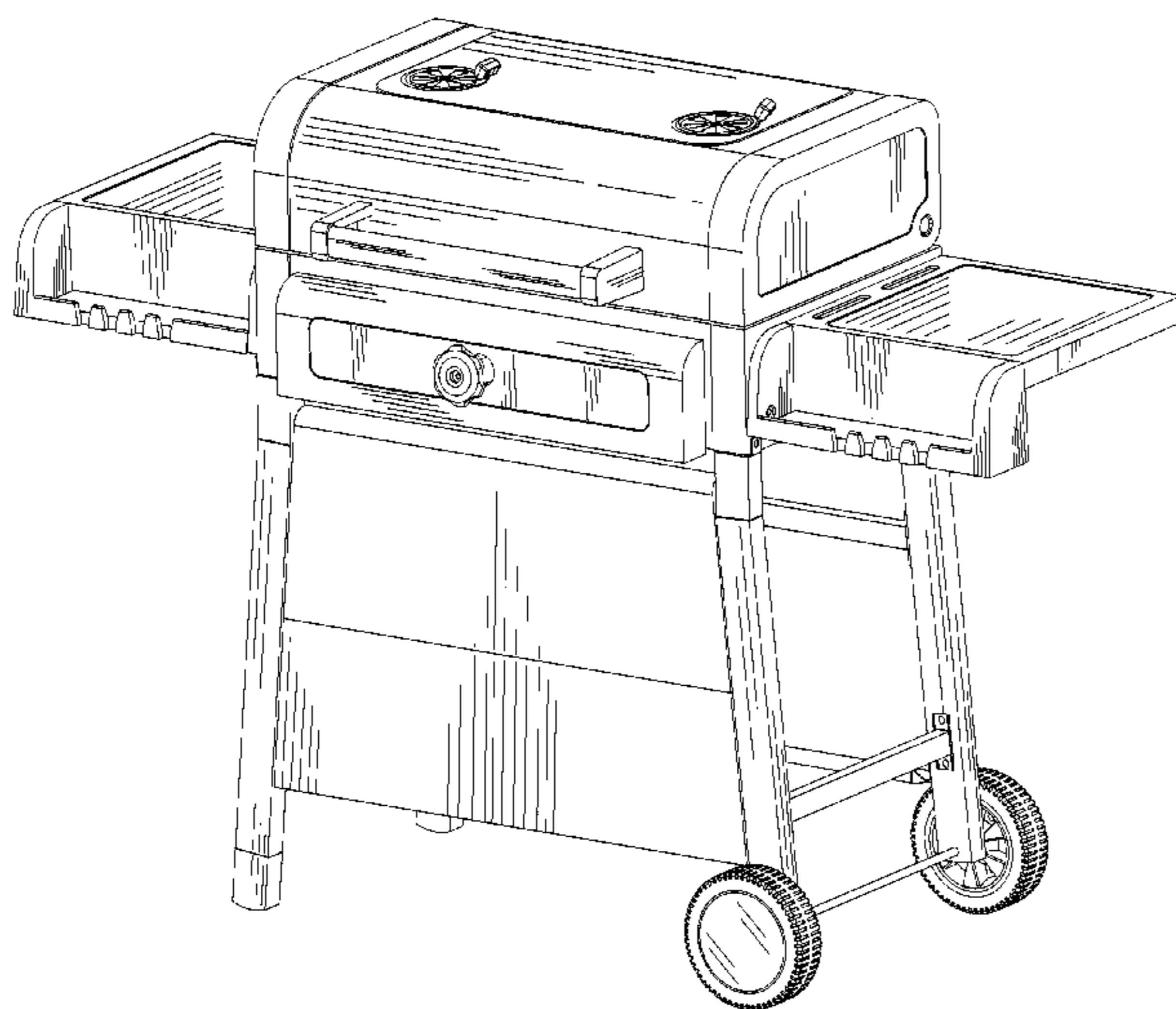
FIG. 4 is a left side elevational view thereof;

FIG. 5 is a right side elevational view thereof;

FIG. 6 is a top plan view thereof; and,

FIG. 7 is a bottom plan view thereof.

**1 Claim, 7 Drawing Sheets**



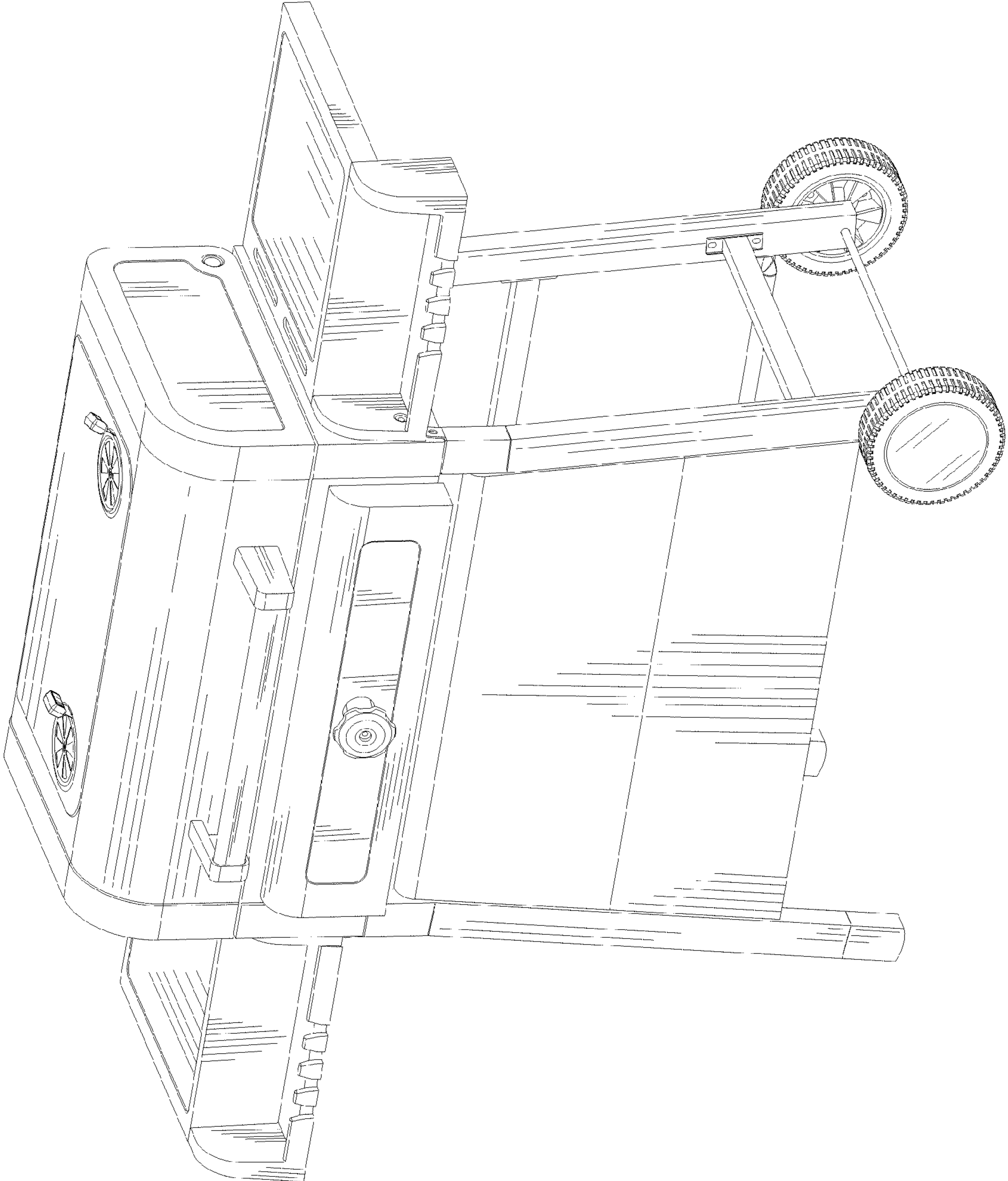


FIG. 1

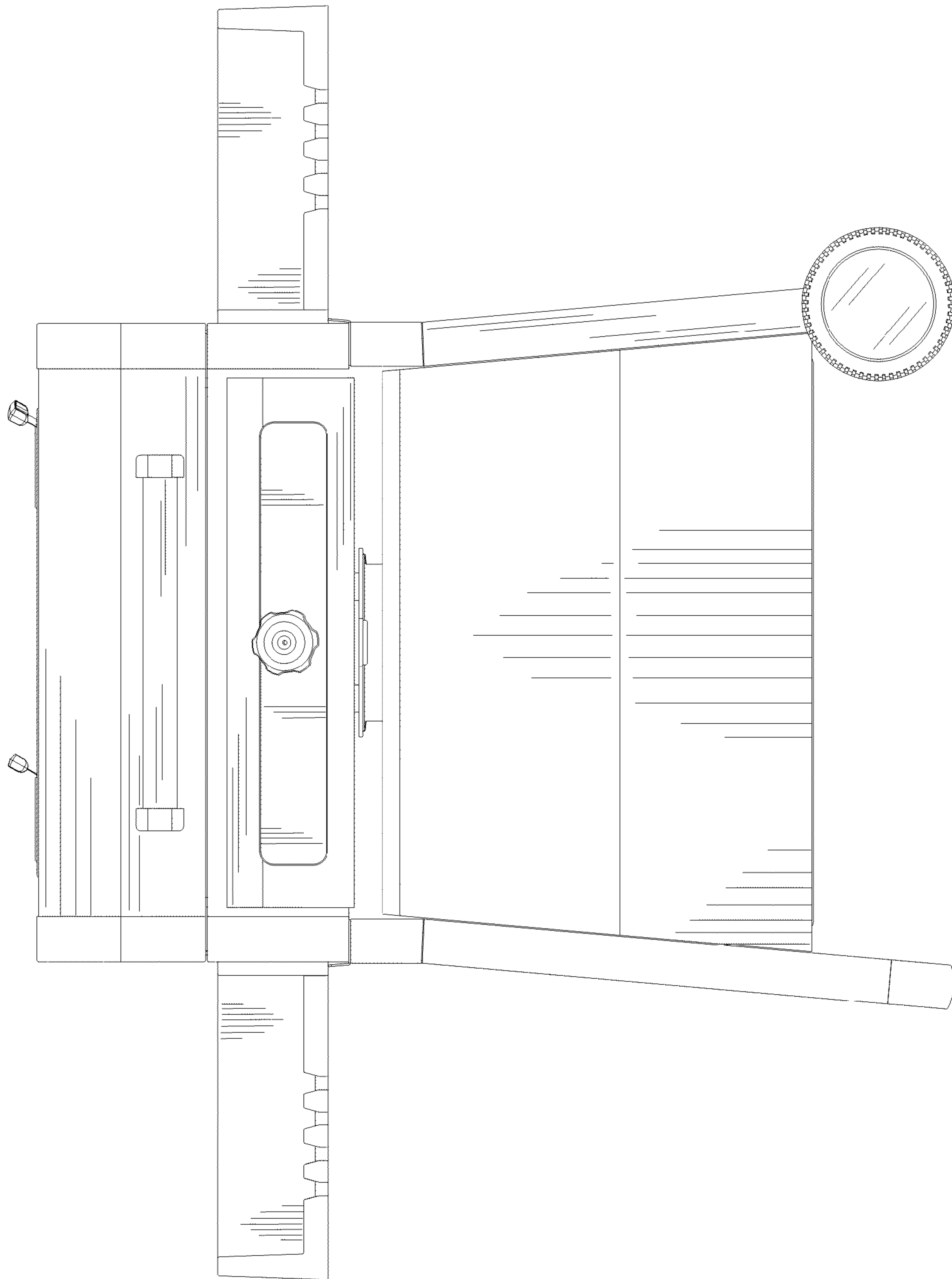


FIG. 2

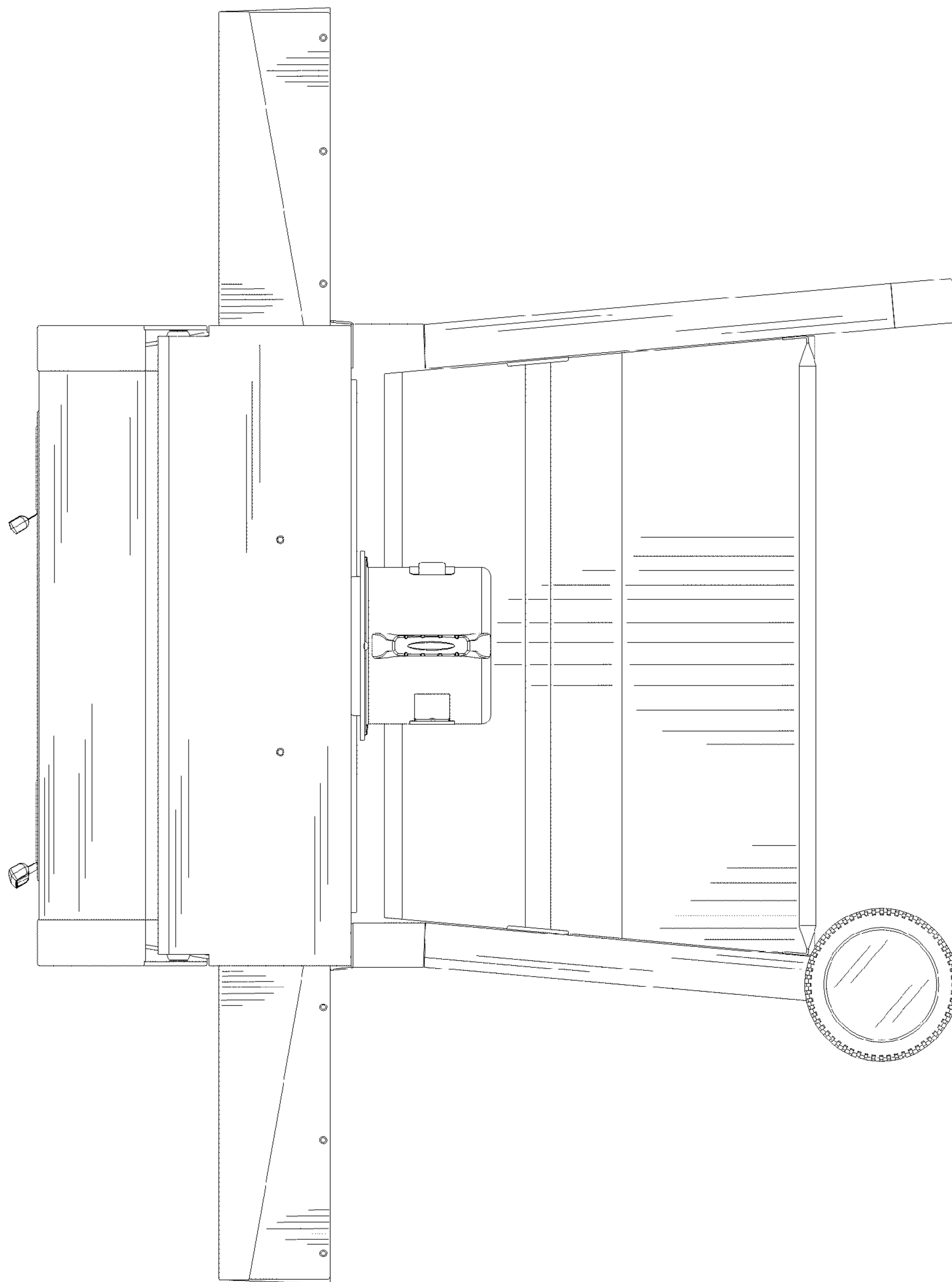


FIG. 3

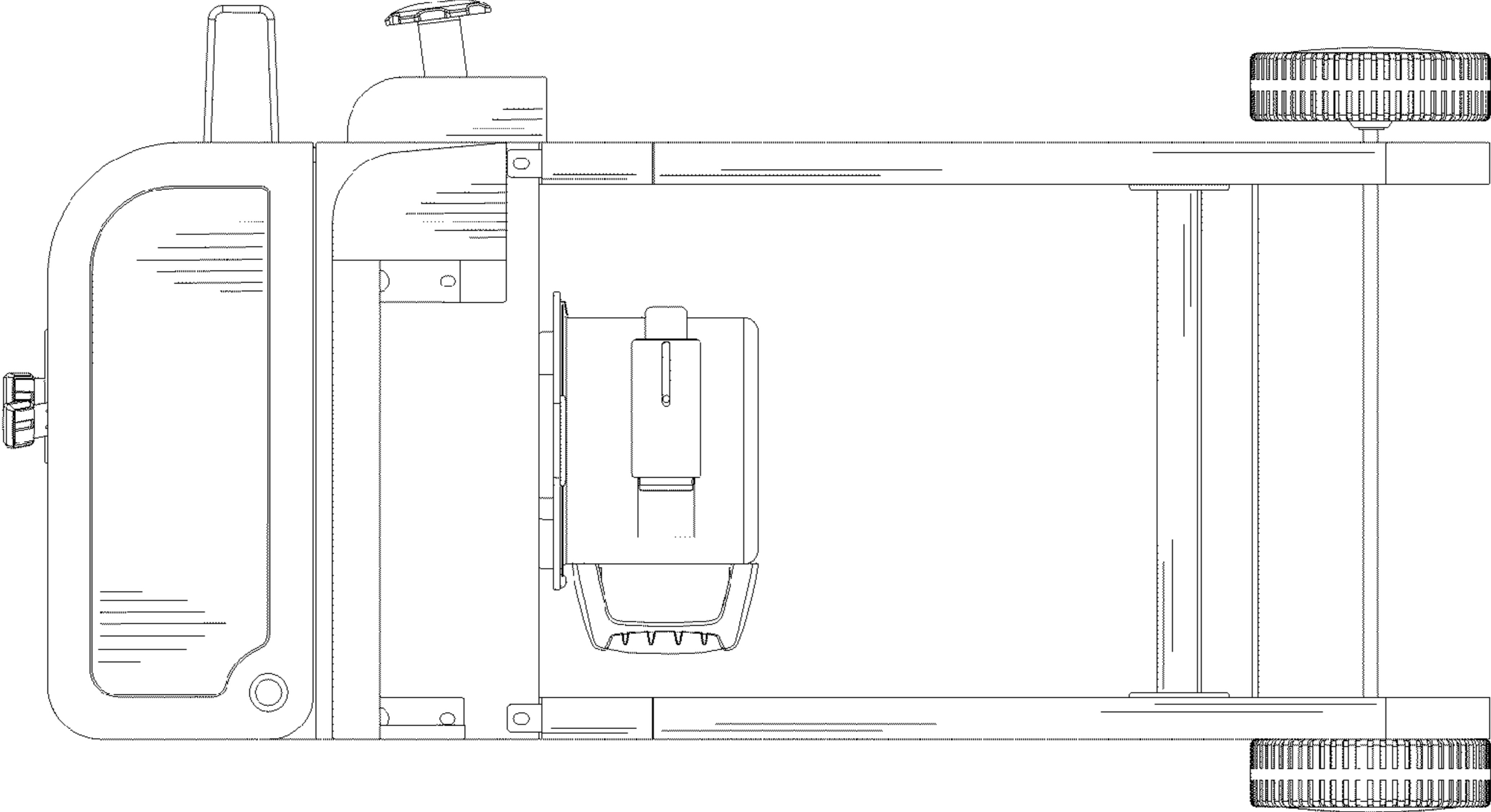


FIG. 4

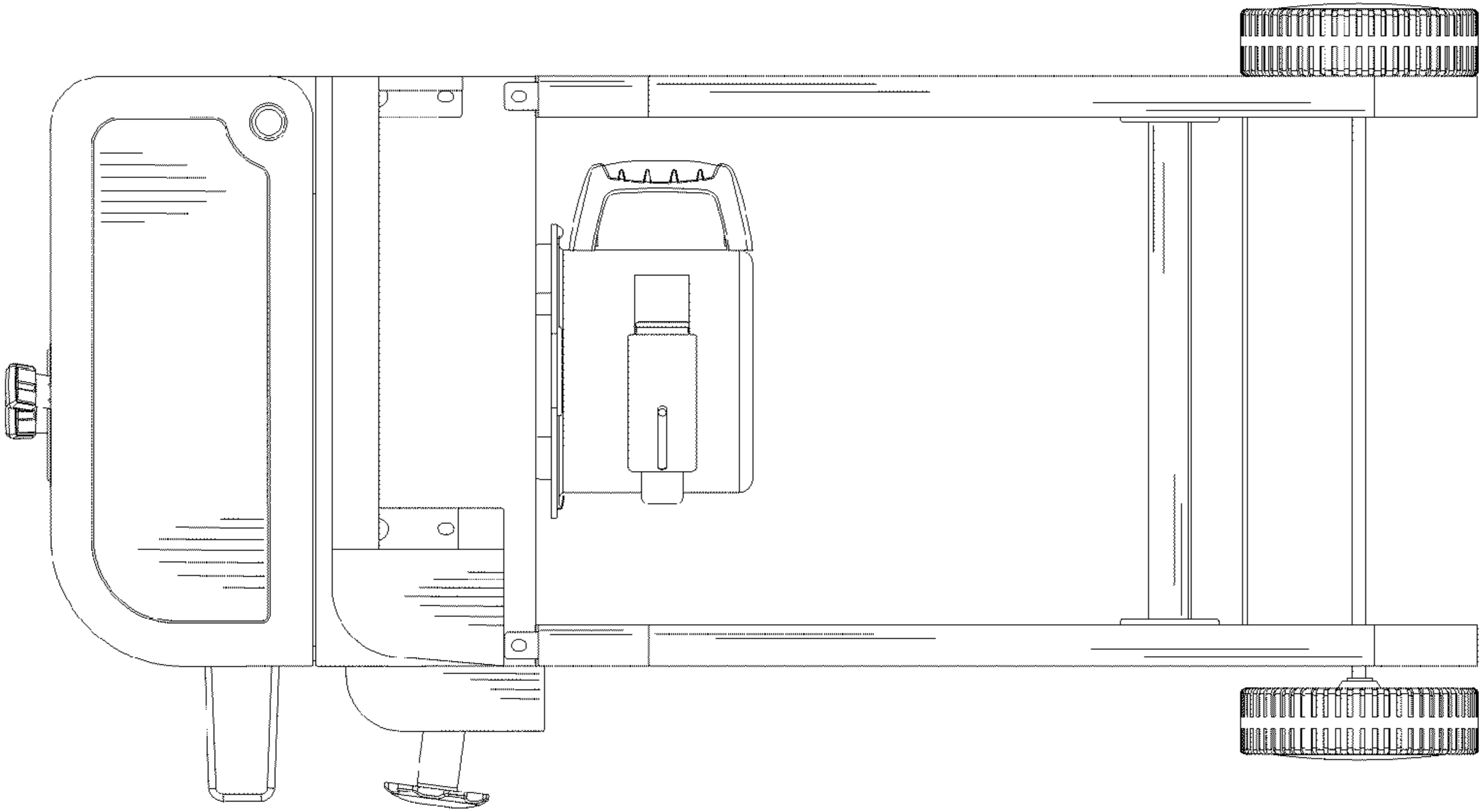


FIG. 5



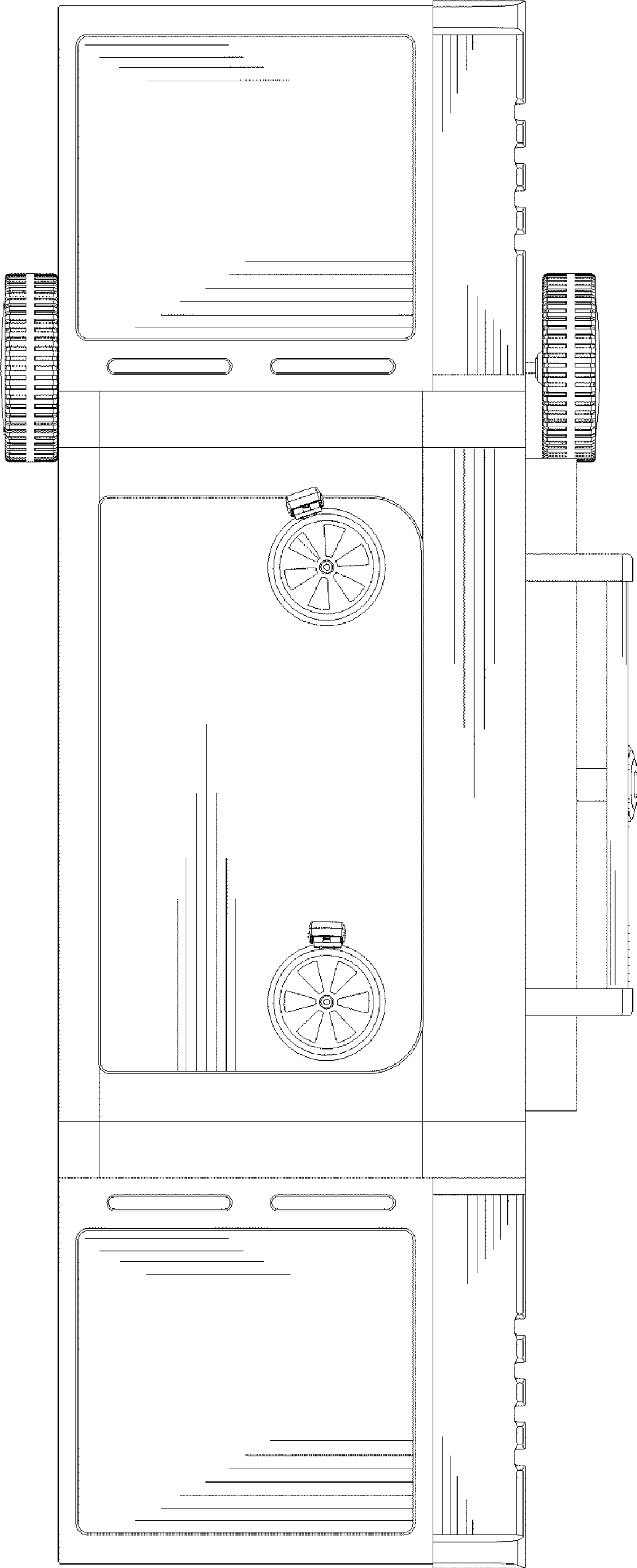


FIG. 6

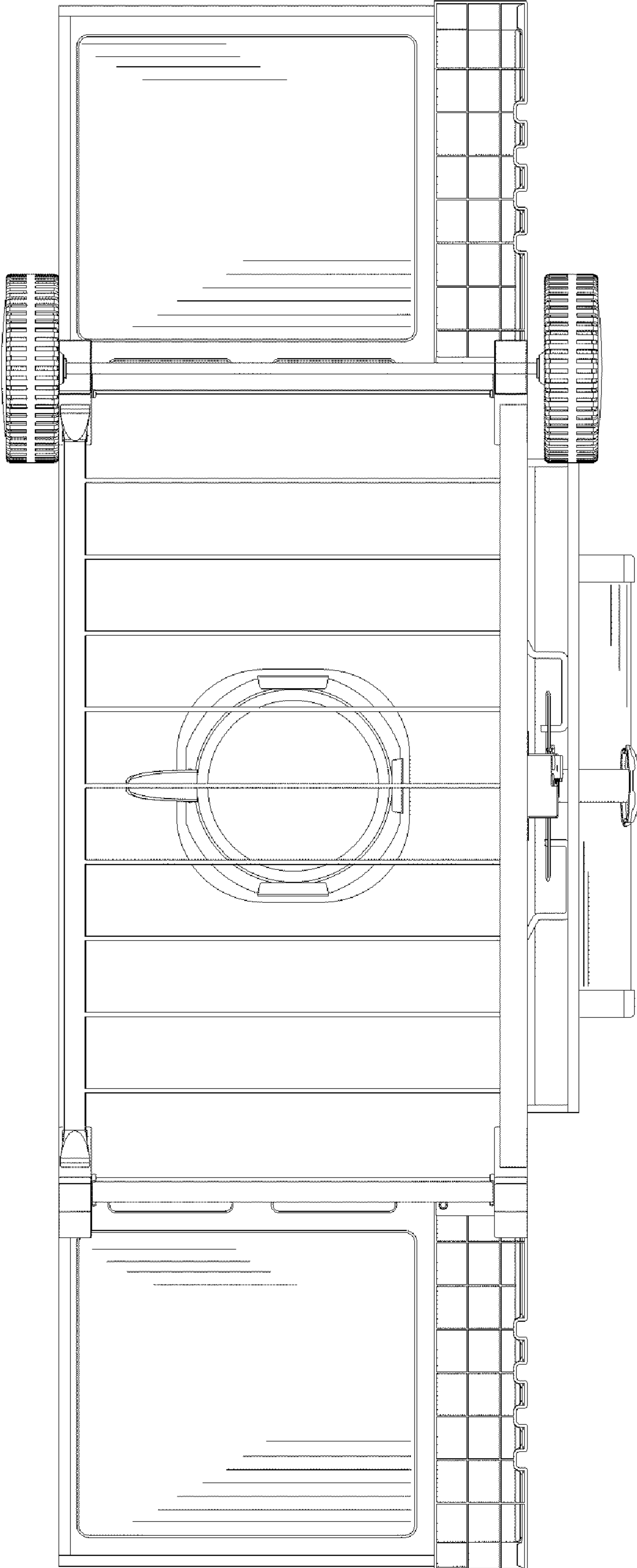


FIG. 7