



US00D618033S

(12) **United States Design Patent**
Maire et al.

(10) **Patent No.:** **US D618,033 S**
(45) **Date of Patent:** **** Jun. 22, 2010**

(54) **OCTAGONAL BARBECUE TABLE**

(76) Inventors: **Nadine Maire**, 1837, Chemin Alfred-Desrochers, Orford, Province of Québec (CA) J1X 6J4; **Fabrice Maire**, 1837, Chemin Alfred-Desrochers, Orford, Province of Québec (CA) J1X 6J4

(**) Term: **14 Years**

(21) Appl. No.: **29/317,737**

(22) Filed: **May 6, 2008**

(51) **LOC (9) Cl.** **07-02**

(52) **U.S. Cl.** **D7/334**

(58) **Field of Classification Search** D7/332, D7/334-337, 402-405, 407; 126/25 R, 29-30, 126/25 A, 25 AA, 9 R, 38, 37 R, 41 R, 40, 126/39 E, 39 H, 50, 276, 268, 519, 506; 99/481-482, 99/646 R; D6/480, 486; 108/50.13, 150, 108/51.1, 11; 312/236, 223.1, 351.2, 351.11, 312/100

See application file for complete search history.

(56) **References Cited**

U.S. PATENT DOCUMENTS

D253,931 S * 1/1980 DeVischer et al. D7/332

D270,987 S * 10/1983 Scheufler D7/335
D350,045 S * 8/1994 Stuart D7/332
D389,009 S * 1/1998 Baykal D7/335
D394,779 S * 6/1998 Hilvitz D7/335
D454,449 S * 3/2002 Hautog D6/480
D468,952 S * 1/2003 Graham et al. D7/332
D579,708 S * 11/2008 Chen D7/332
D580,209 S * 11/2008 Chiang D7/332
2007/0215011 A1 * 9/2007 Khan 108/11

* cited by examiner

Primary Examiner—Ruth McInroy

(74) *Attorney, Agent, or Firm*—Bourque and Associates

(57) **CLAIM**

We claim the ornamental design for an octagonal barbecue table, as shown and described.

DESCRIPTION

FIG. 1 is a perspective view of an octagonal barbecue table showing our new design;

FIG. 2 is a front view thereof;

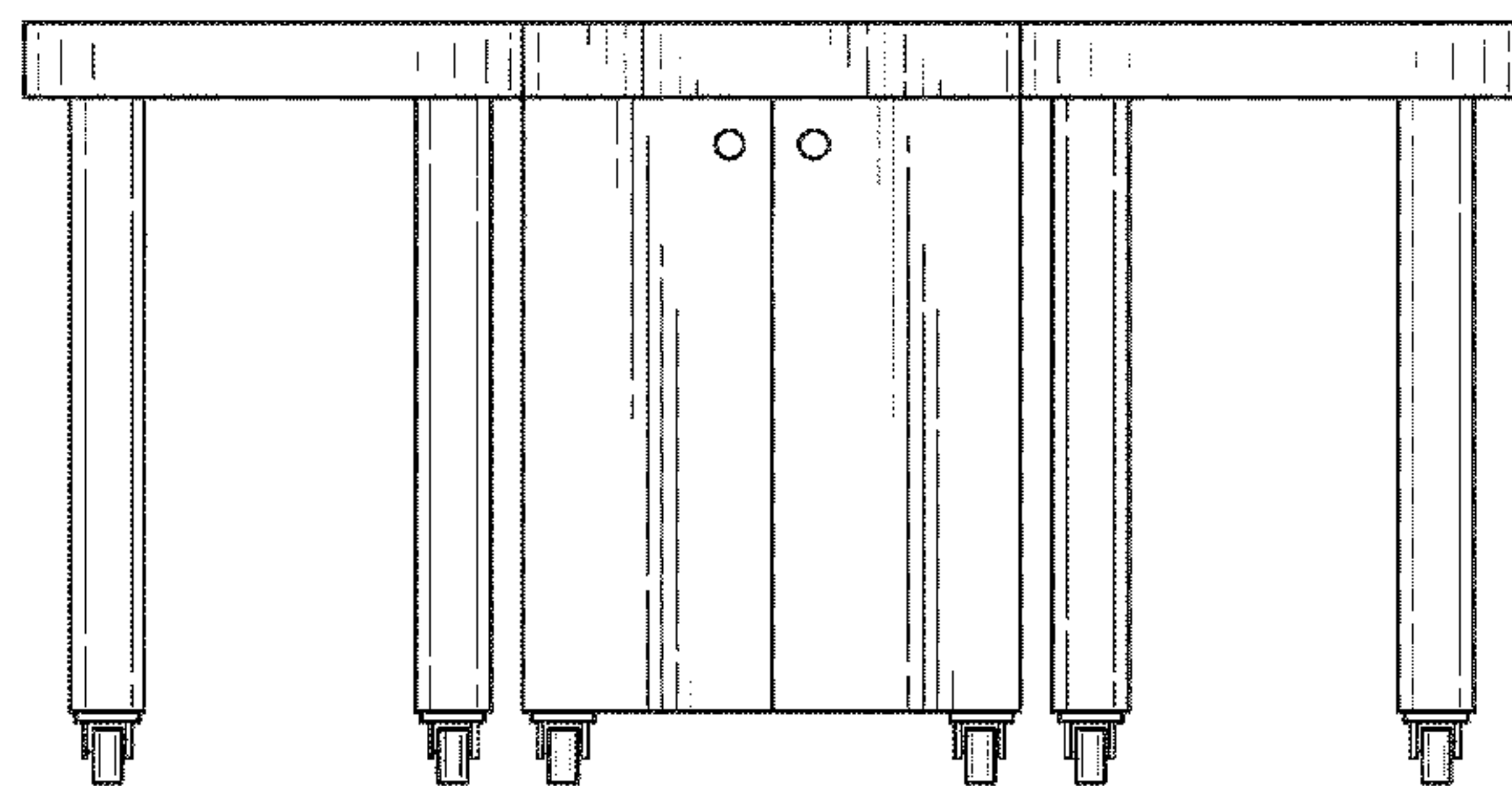
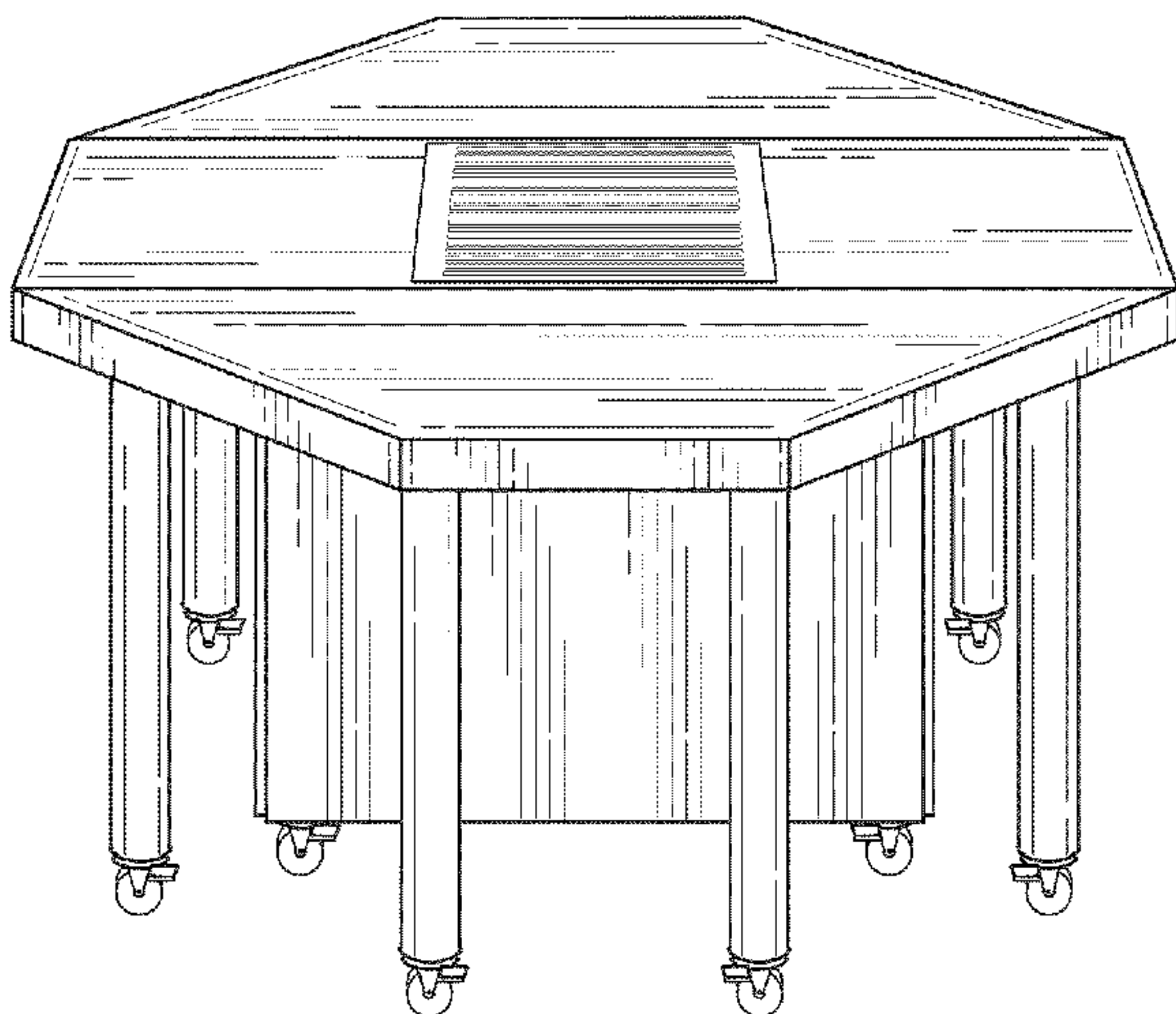
FIG. 3 is a rear view thereof;

FIG. 4 is a right side view thereof;

FIG. 5 is a left side view thereof; and,

FIG. 6 is a top plan view thereof.

1 Claim, 6 Drawing Sheets



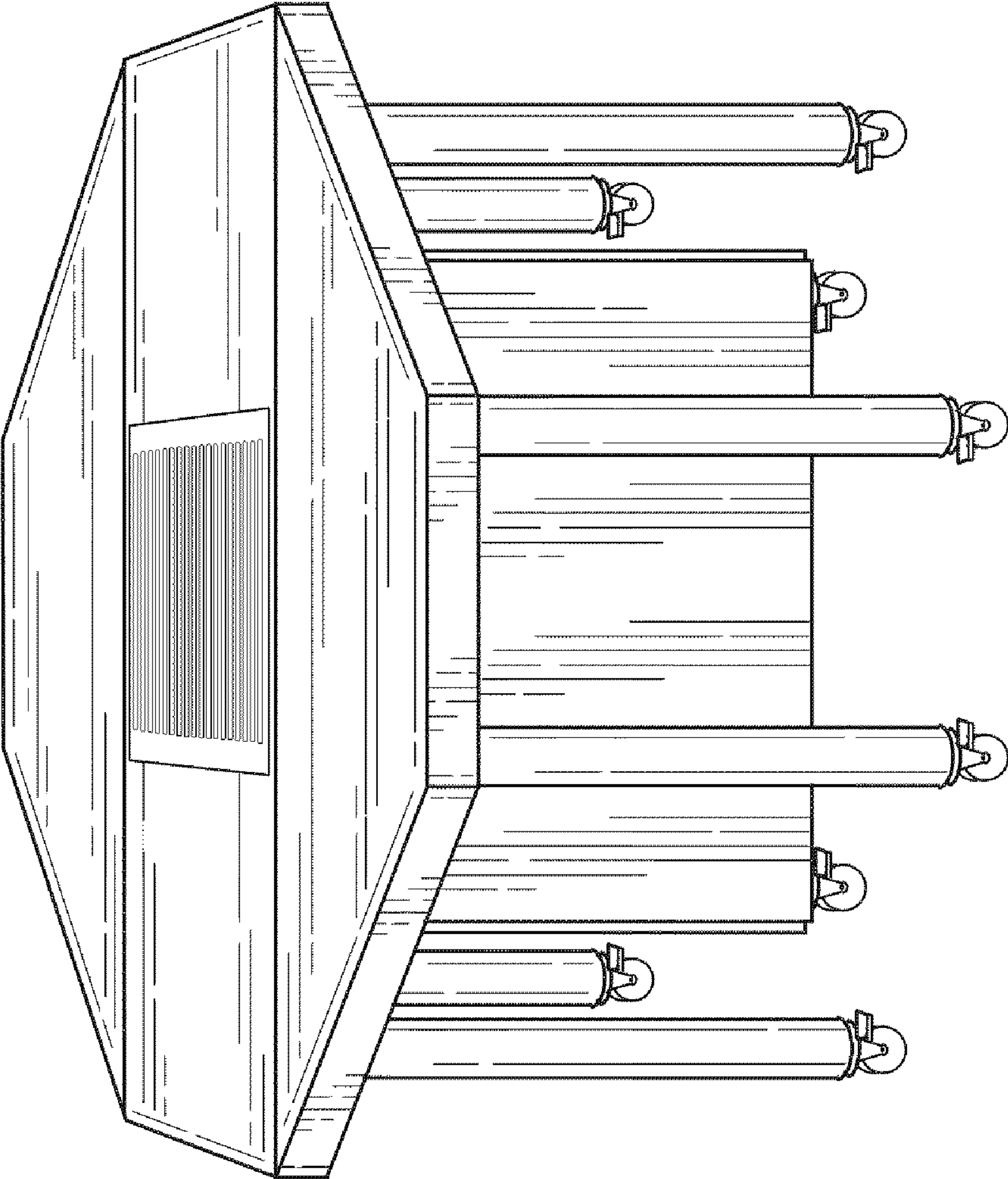


FIG. 1

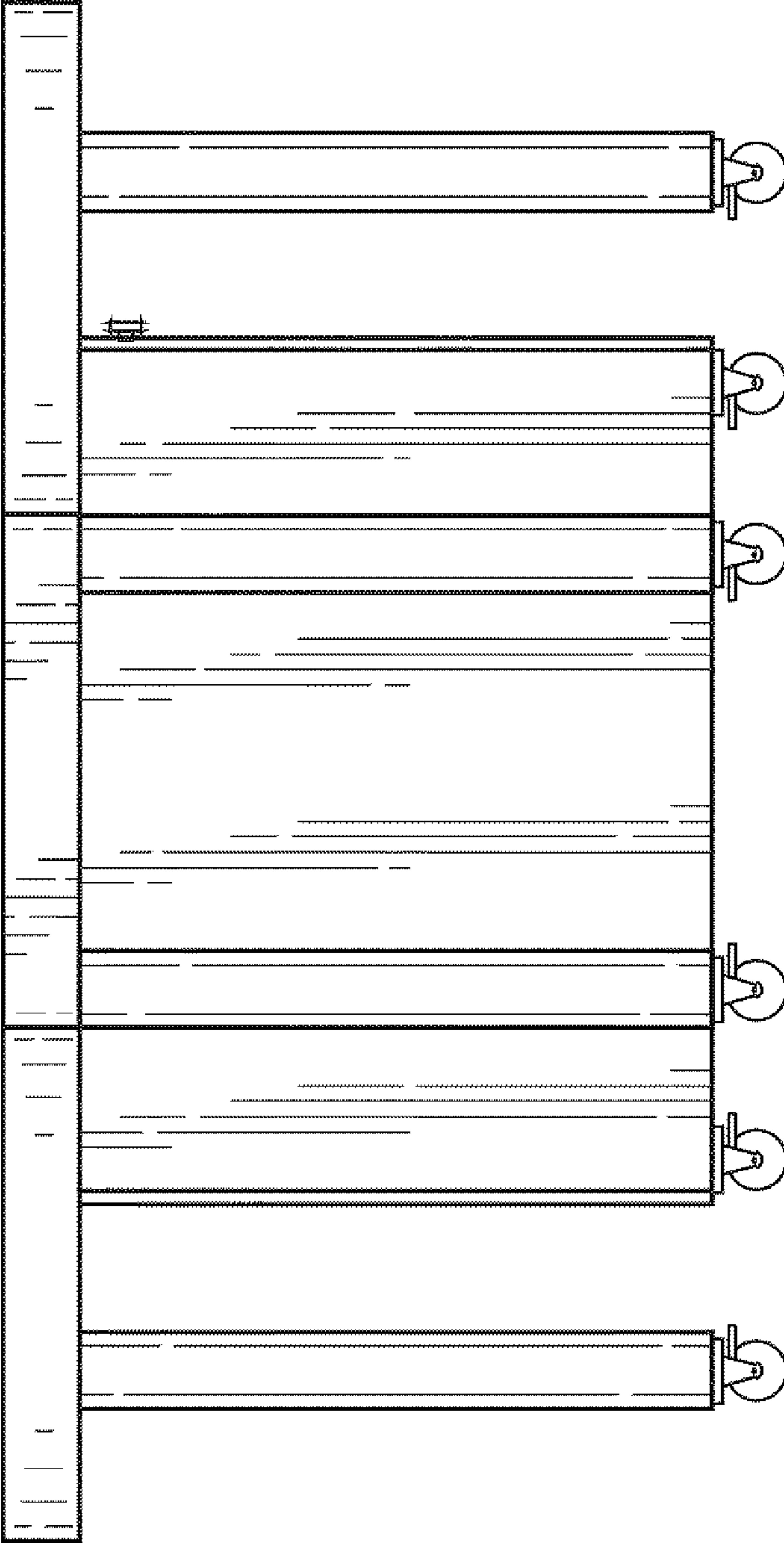


FIG. 2

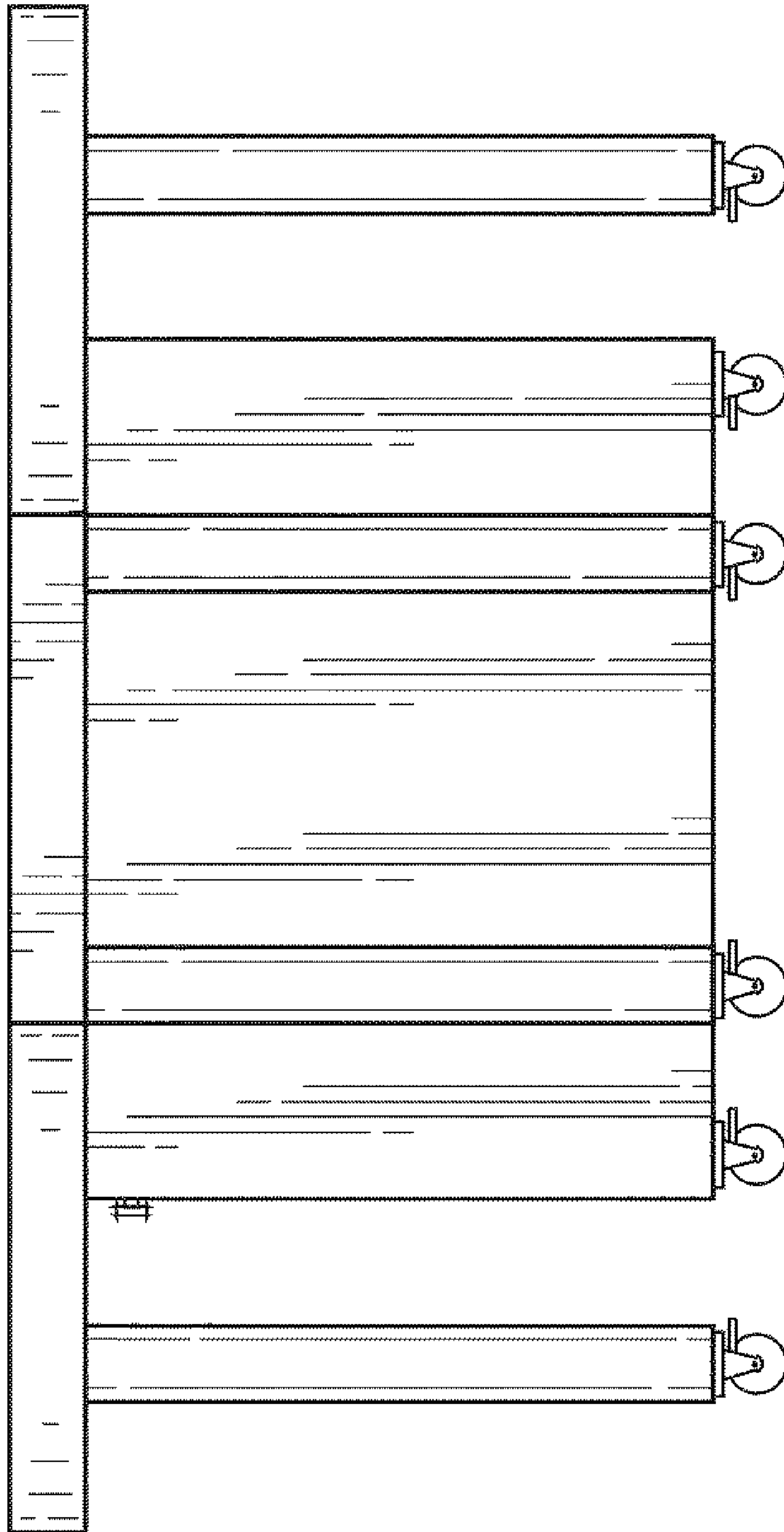


FIG. 3

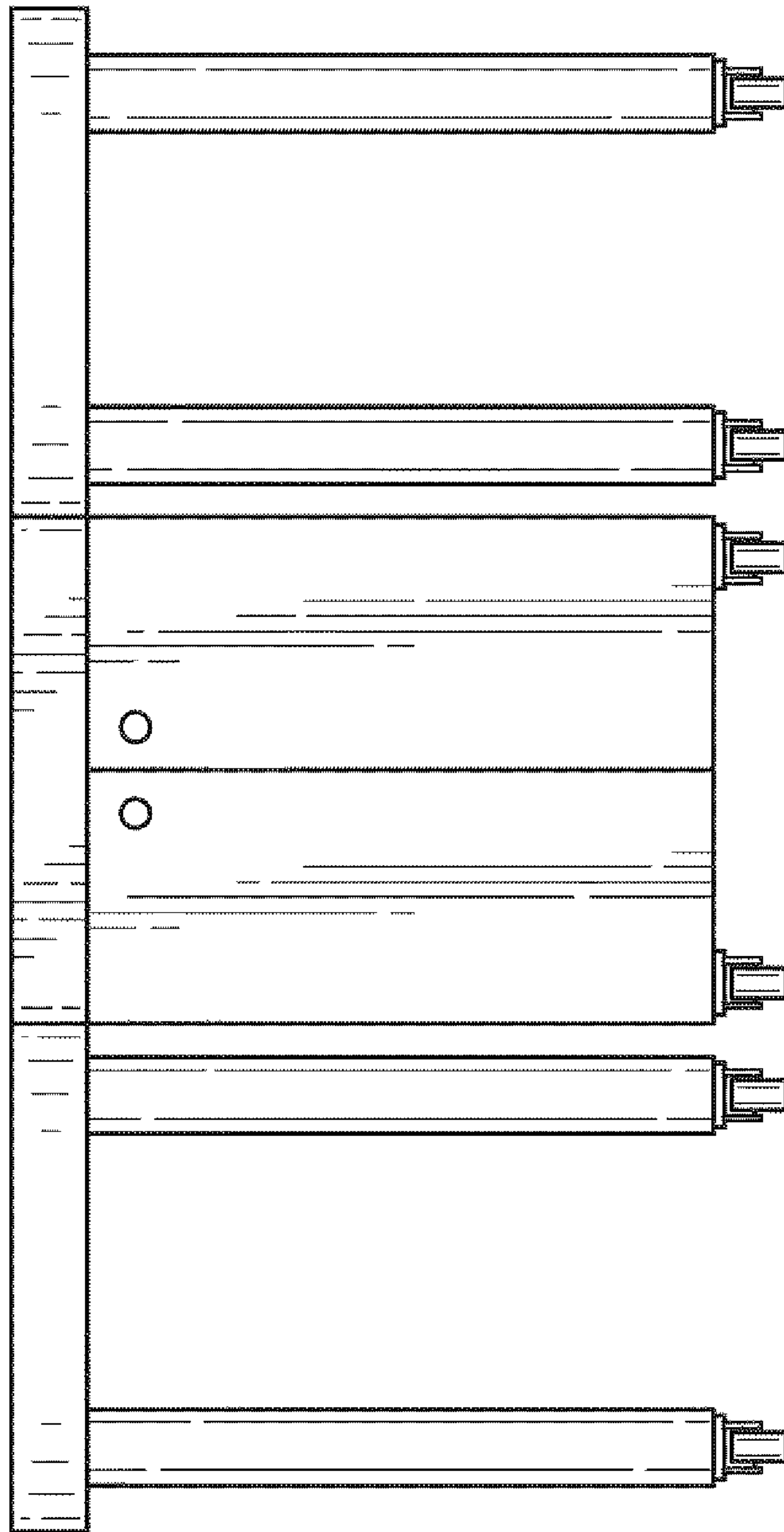


FIG. 4

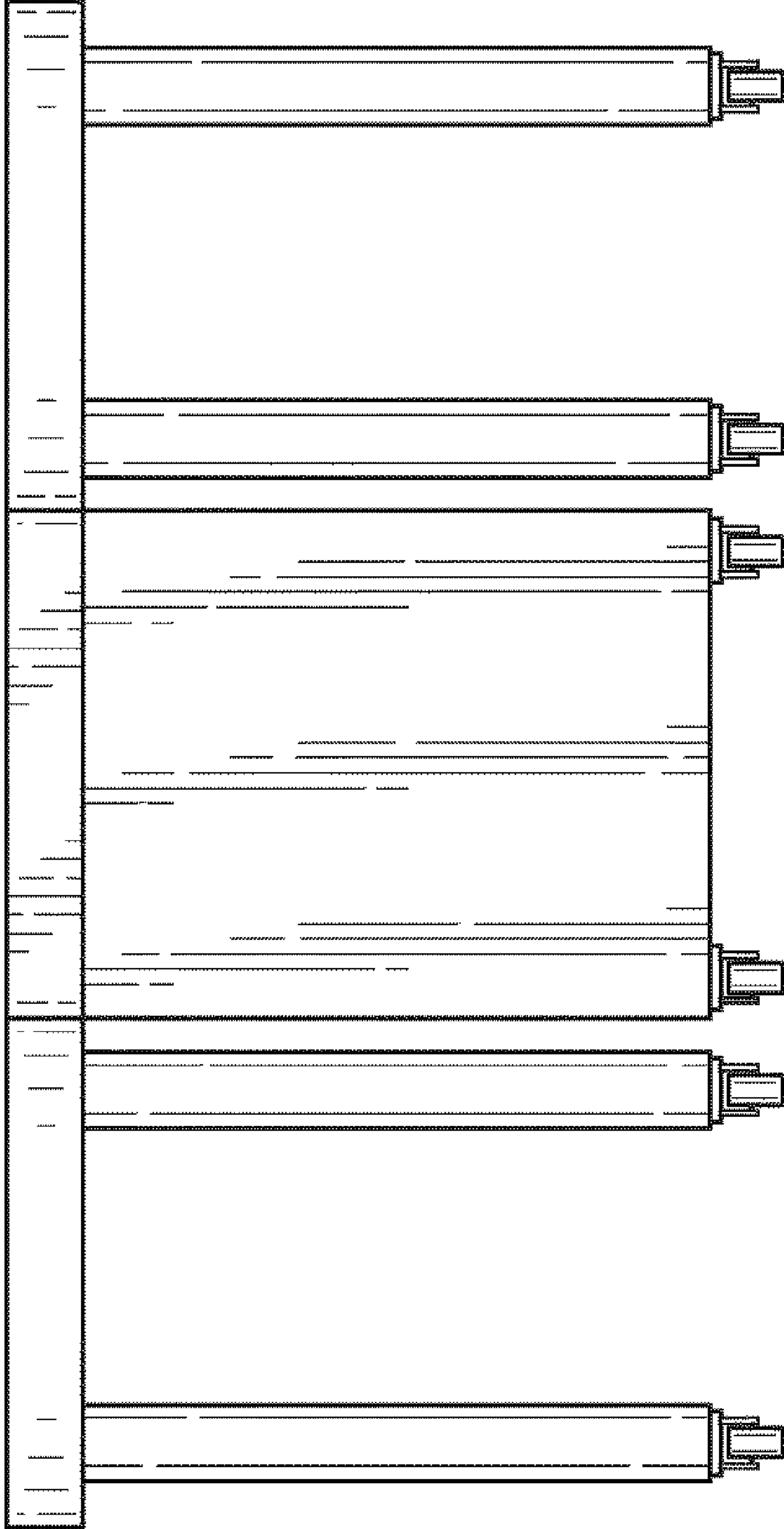


FIG. 5

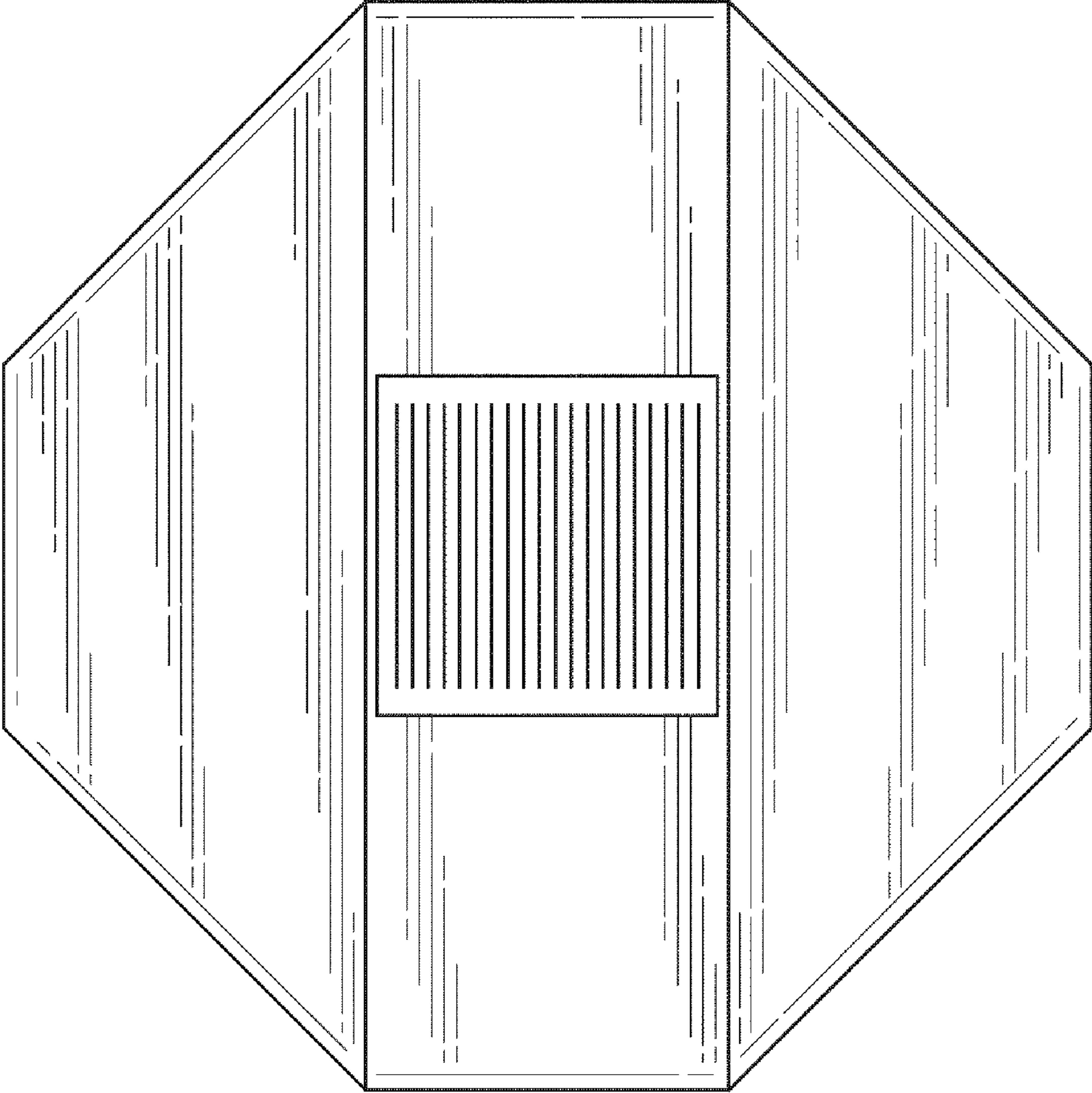


FIG. 6