



US00D618029S

(12) **United States Design Patent**
Keefe et al.

(10) **Patent No.:** **US D618,029 S**
(45) **Date of Patent:** **** Jun. 22, 2010**

(54) **PILLOW**

(76) Inventors: **Kathy Anne Keefe**, 2213 Galloway Drive, Oakville, ON (CA) L6H 5M1;
Kimberley Jane Renton, 1327 Prince Albert Court, Mississauga, ON (CA) L5H 3R9

(**) Term: **14 Years**

(21) Appl. No.: **29/347,212**

(22) Filed: **Oct. 29, 2009**

(51) **LOC (9) Cl.** **06-09**

(52) **U.S. Cl.** **D6/601**

(58) **Field of Classification Search** D6/595-601,
D6/604, 605; 5/630, 633, 636-638, 640,
5/644, 648, 652-654, 655.3, 655.6, 655.9,
5/656, 657, 657.5; D21/803, 804
See application file for complete search history.

(56) **References Cited**

U.S. PATENT DOCUMENTS

2,940,087 A * 6/1960 Kiefer 5/642

3,139,631 A * 7/1964 Kiefer 5/643
D404,238 S * 1/1999 Keilhauer D6/601
D487,553 S * 3/2004 Morikawa D6/601
D566,448 S * 4/2008 Ridder D6/601
D575,974 S * 9/2008 Akamatsu et al. D6/606
D581,714 S * 12/2008 Godoy D6/605
D603,643 S * 11/2009 Keefe et al. D6/601

* cited by examiner

Primary Examiner—Janice E Seeger

(74) *Attorney, Agent, or Firm*—George A. Seaby

(57) **CLAIM**

The ornamental design for a pillow, as shown and described.

DESCRIPTION

FIG. 1 is a perspective view of the pillow showing our new design.

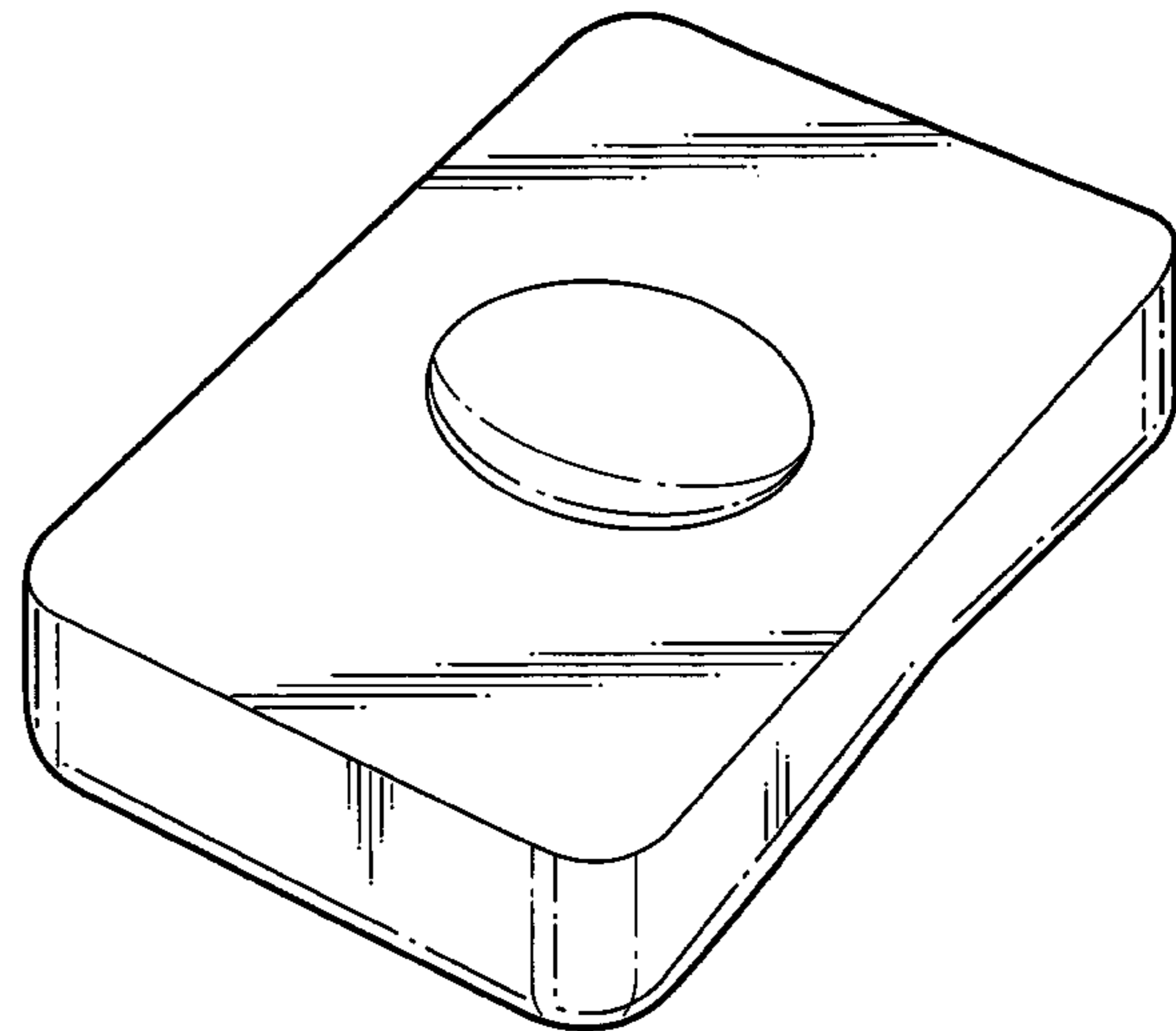
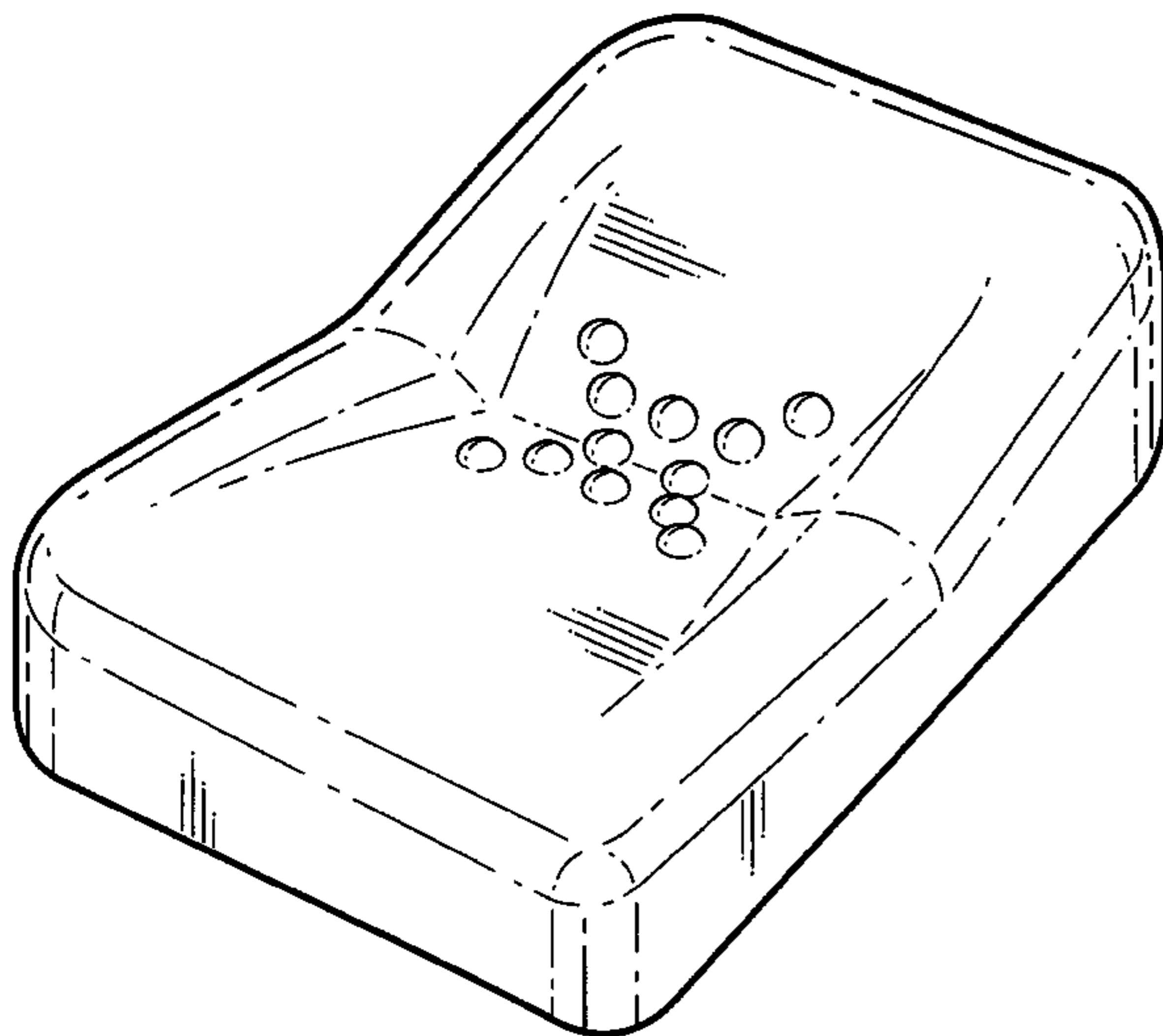
FIG. 2 is another perspective view thereof;

FIG. 3 is a top elevational view thereof;

FIG. 4 is a front elevational view thereof; and,

FIG. 5 is an end elevational view thereof.

1 Claim, 4 Drawing Sheets



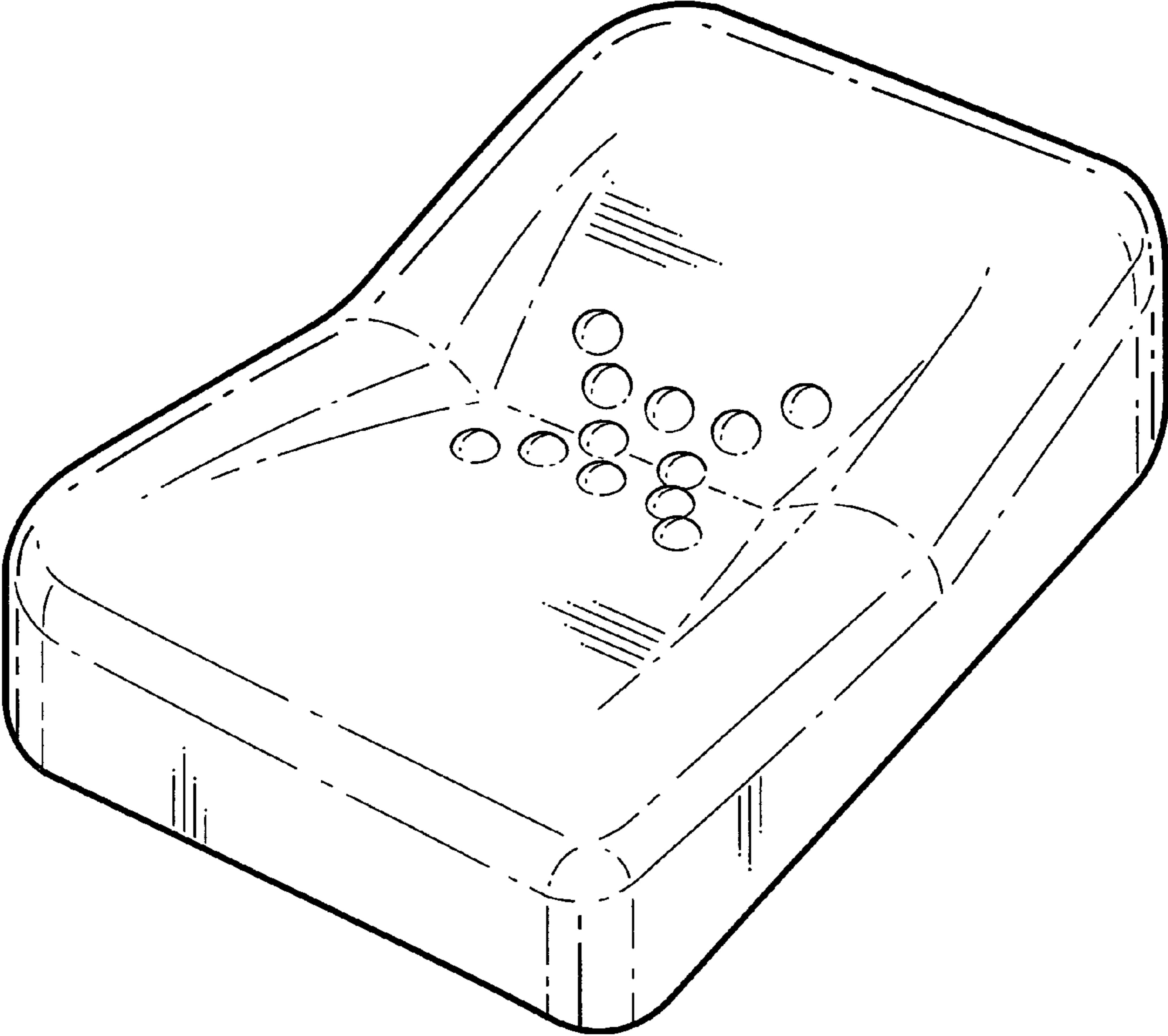


FIG. 1

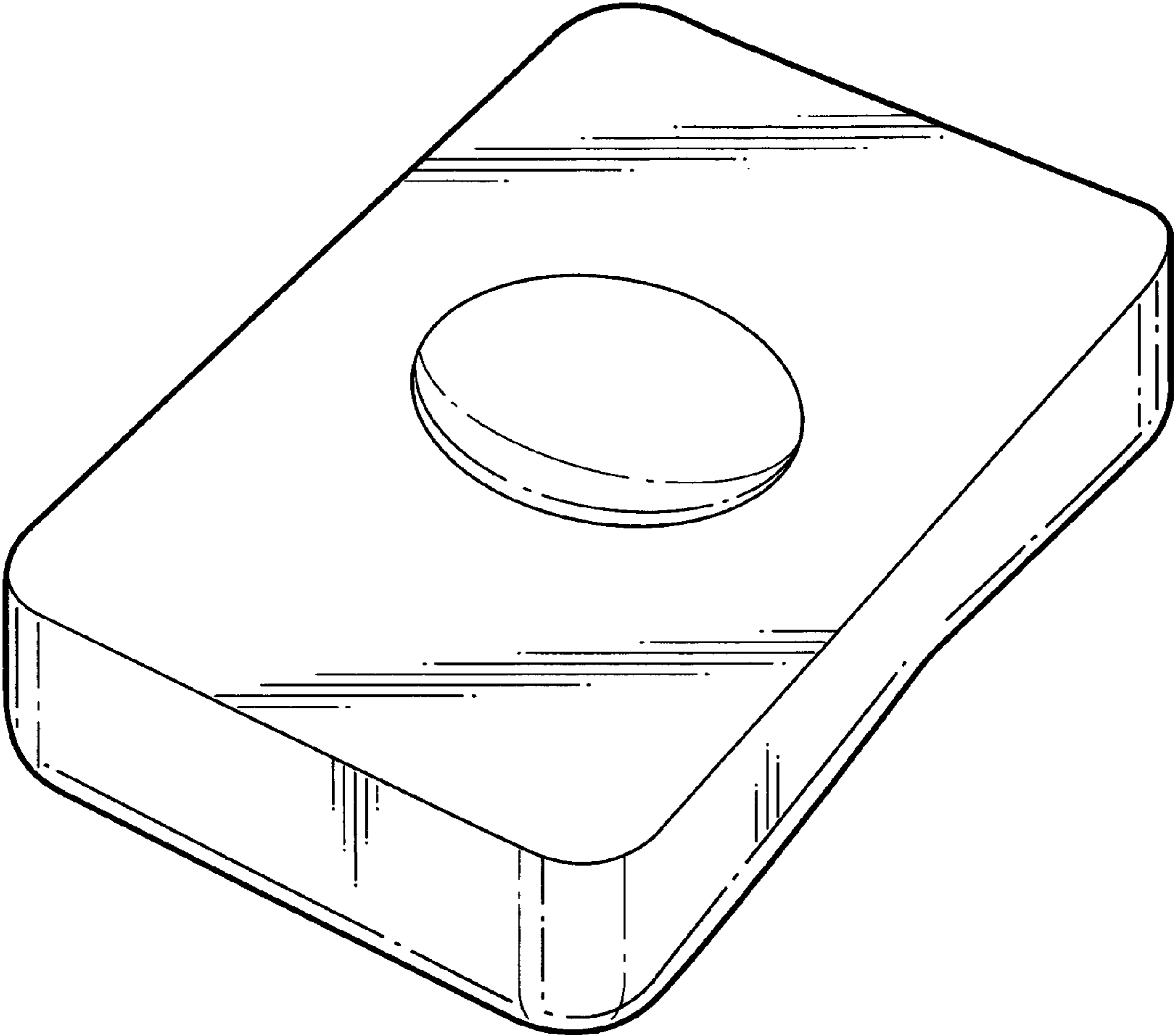


FIG. 2

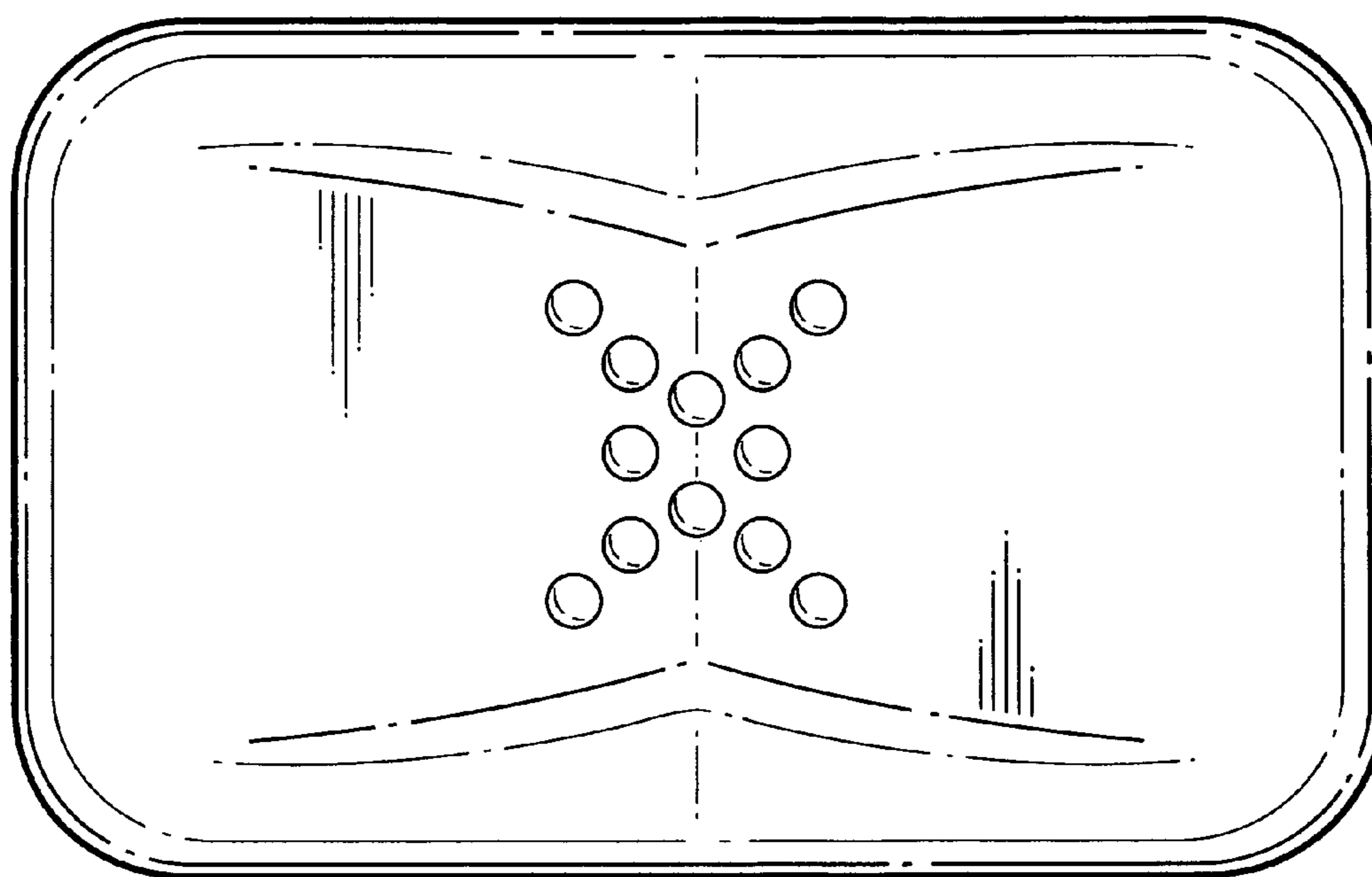


FIG. 3

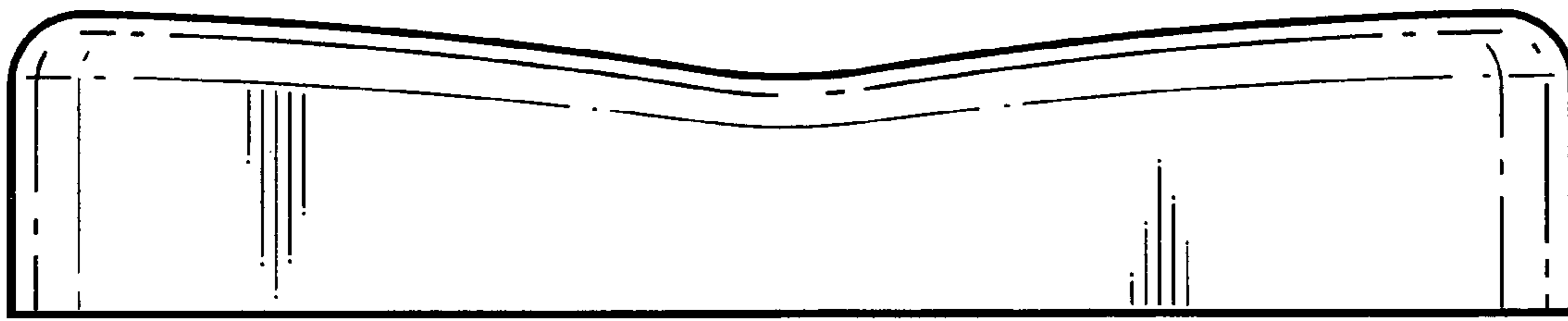


FIG. 4

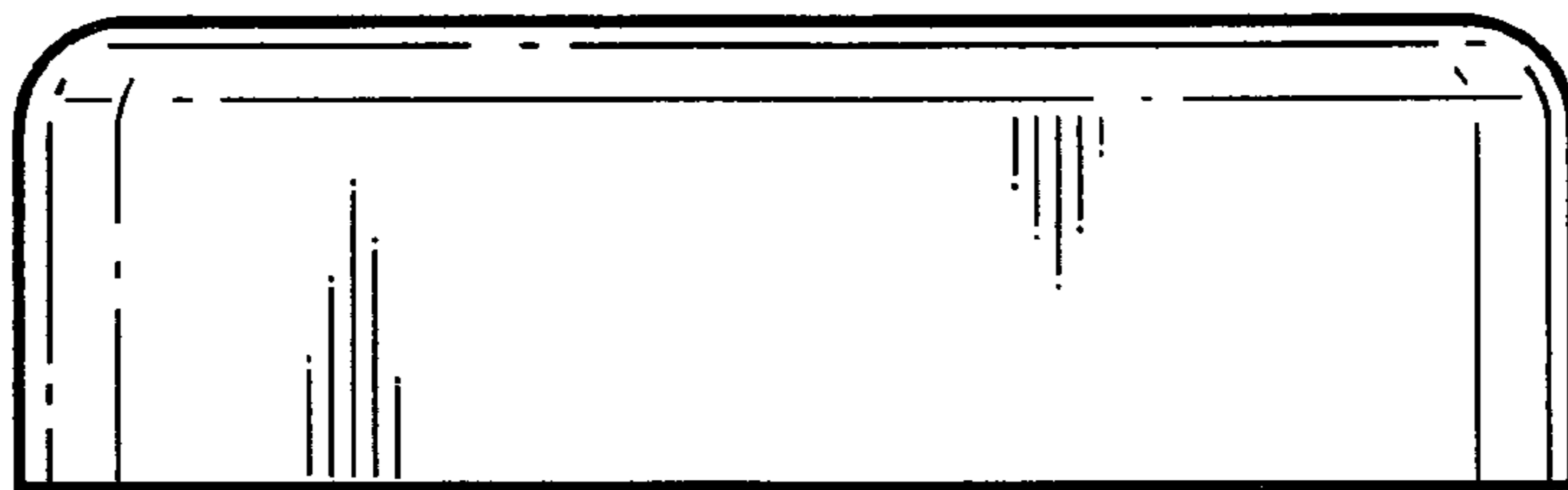


FIG. 5