



US00D618027S

(12) **United States Design Patent**  
**Di Stefano**

(10) **Patent No.:** **US D618,027 S**

(45) **Date of Patent:** **\*\* Jun. 22, 2010**

(54) **RETRACTED IDLER**

D518,326 S \* 4/2006 Allsopp ..... D6/580  
D568,083 S \* 5/2008 Chou ..... D6/580

(76) Inventor: **Carmelo Joseph Licciardi Di Stefano**,  
110 Northcorp Boulevard,  
Broadmeadows VIC 3047 (AU)

\* cited by examiner

*Primary Examiner*—Susan Bennett Hattan

*Assistant Examiner*—Barbara B Lohr

(74) *Attorney, Agent, or Firm*—Head, Johnson & Kachigian,  
P.C.

(\*\*) Term: **14 Years**

(21) Appl. No.: **29/348,264**

(22) Filed: **Dec. 16, 2009**

(57) **CLAIM**

The design for a retracted idler, as shown and described.

(30) **Foreign Application Priority Data**

Jun. 29, 2009 (AU) ..... 12332/2009

**DESCRIPTION**

(51) **LOC (9) Cl.** ..... **06-10**

(52) **U.S. Cl.** ..... **D6/580**

(58) **Field of Classification Search** ..... D6/575,  
D6/576, 578, 579, 580, 581; 160/38, 39,  
160/168.1, 168.1 R, 168.1 V, 173, 173 R,  
160/176.1 R, 176.1 V, 178.1 R, 178.2, 331,  
160/349.1; 318/16, 17, 600; 340/854.5;  
84/10

FIG. 1 is a top view of a retracted idler showing my new design;

FIG. 2 is a front view thereof;

FIG. 3 is a bottom view thereof;

FIG. 4 is a left view thereof;

FIG. 5 is a right view thereof;

FIG. 6 is a rear view thereof;

FIG. 7 is a first perspective view;

FIG. 8 is a second perspective view; and,

FIG. 9 is a third perspective view.

See application file for complete search history.

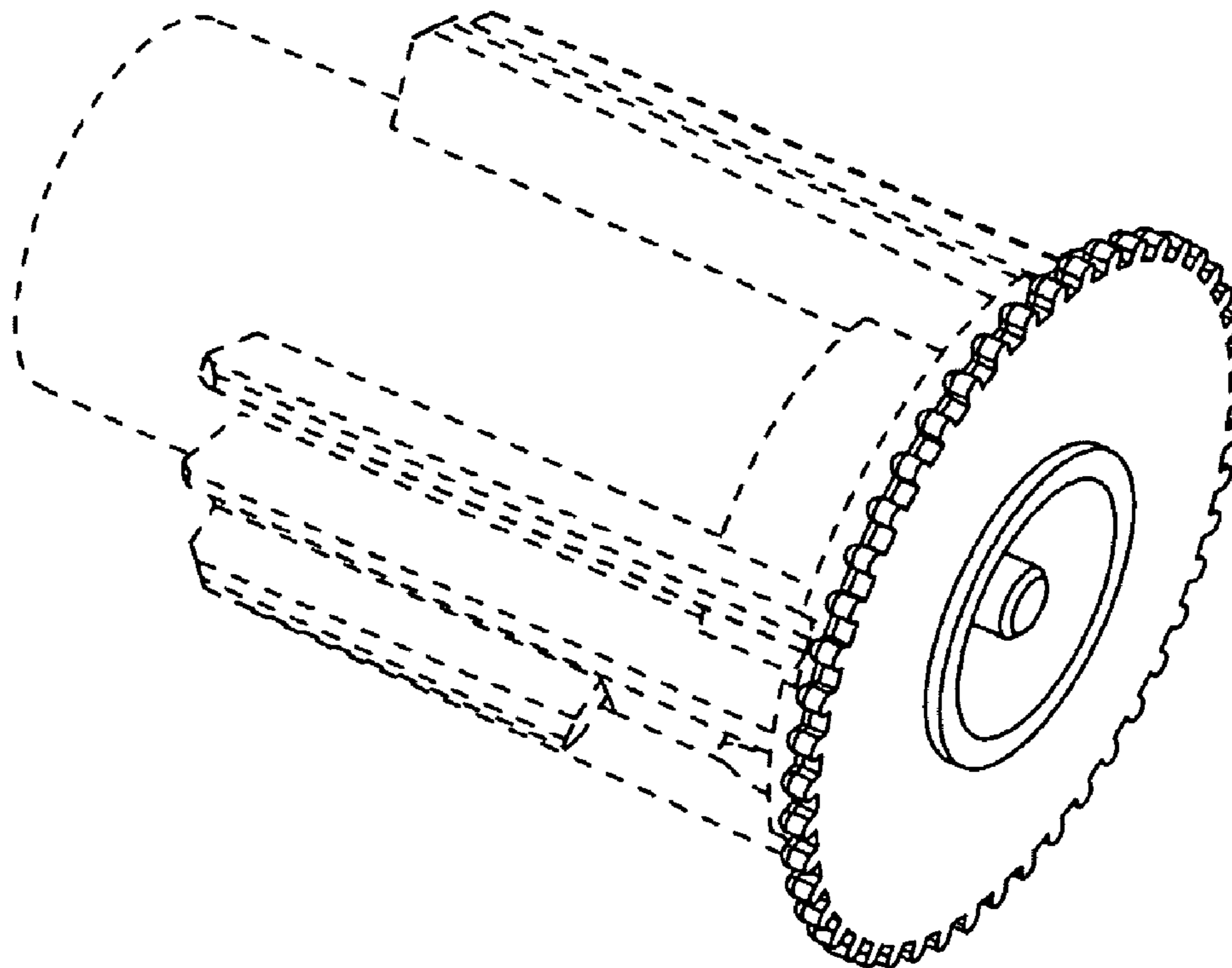
The broken lines in the drawing depict environmental subject matter only and form no part of the claimed design.

(56) **References Cited**

U.S. PATENT DOCUMENTS

D479,080 S \* 9/2003 Damiano ..... D6/580  
D509,092 S \* 9/2005 Allsopp ..... D6/580  
D512,256 S \* 12/2005 Allsopp ..... D6/580

**1 Claim, 4 Drawing Sheets**



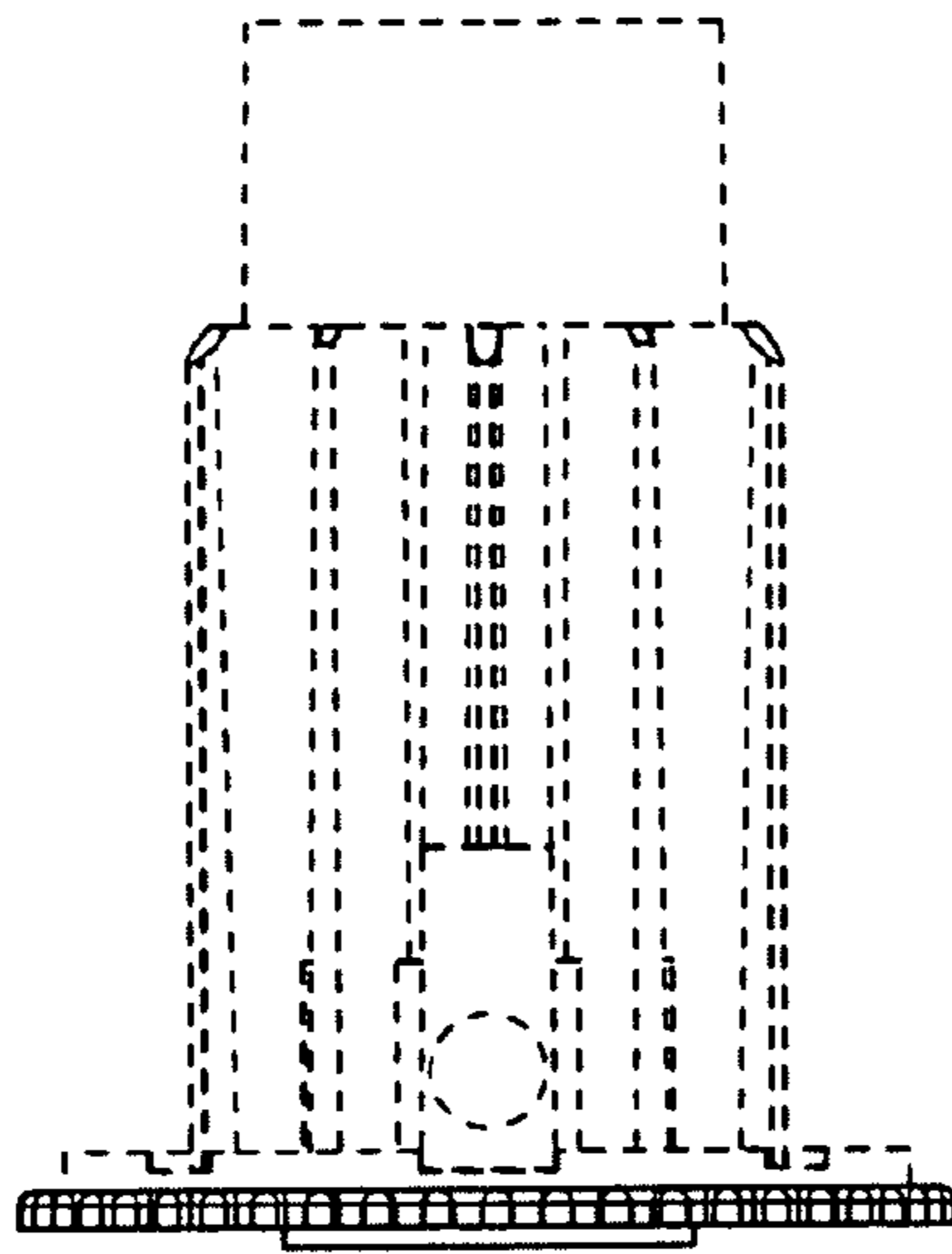


Figure 1

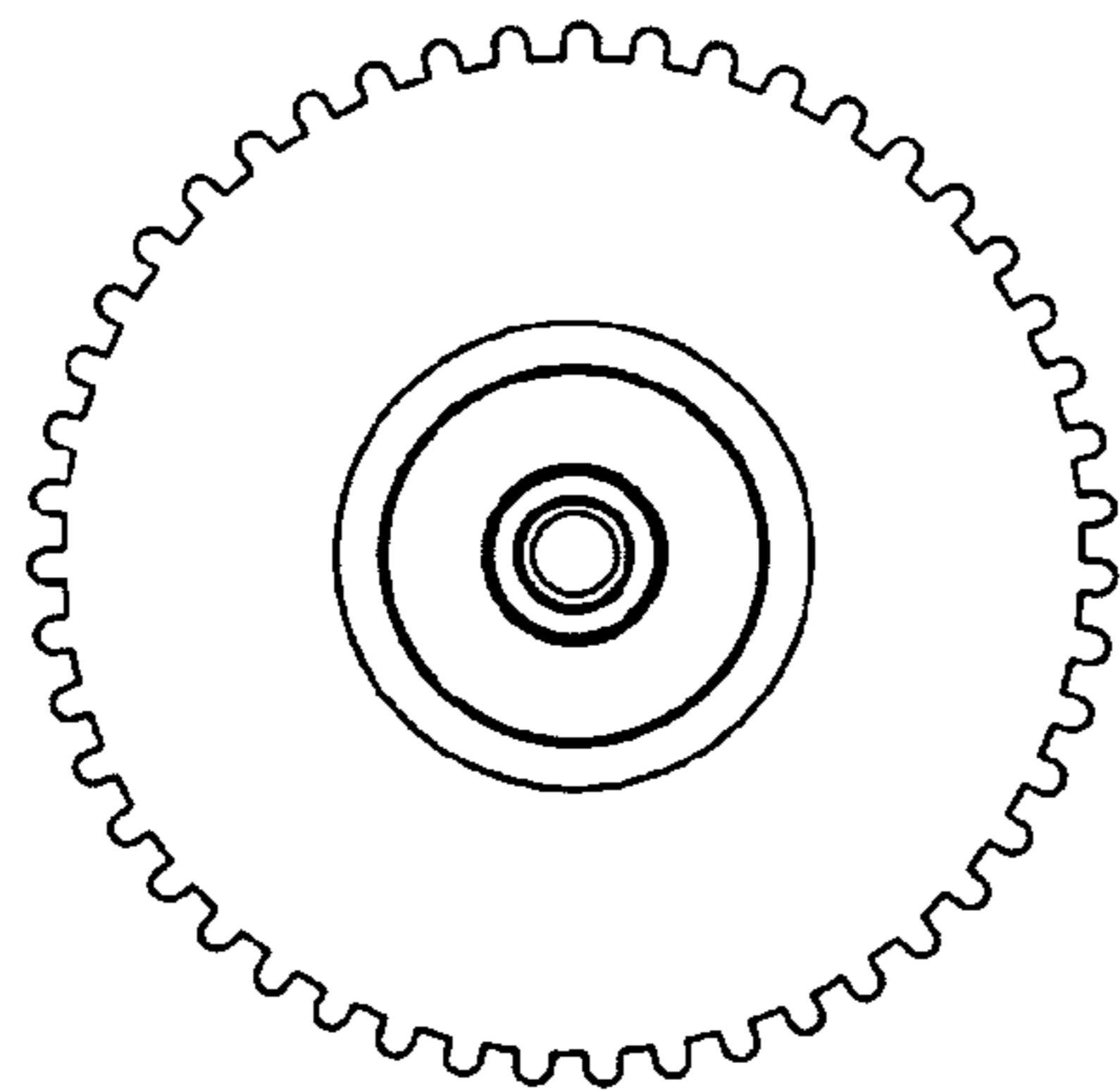


Figure 2

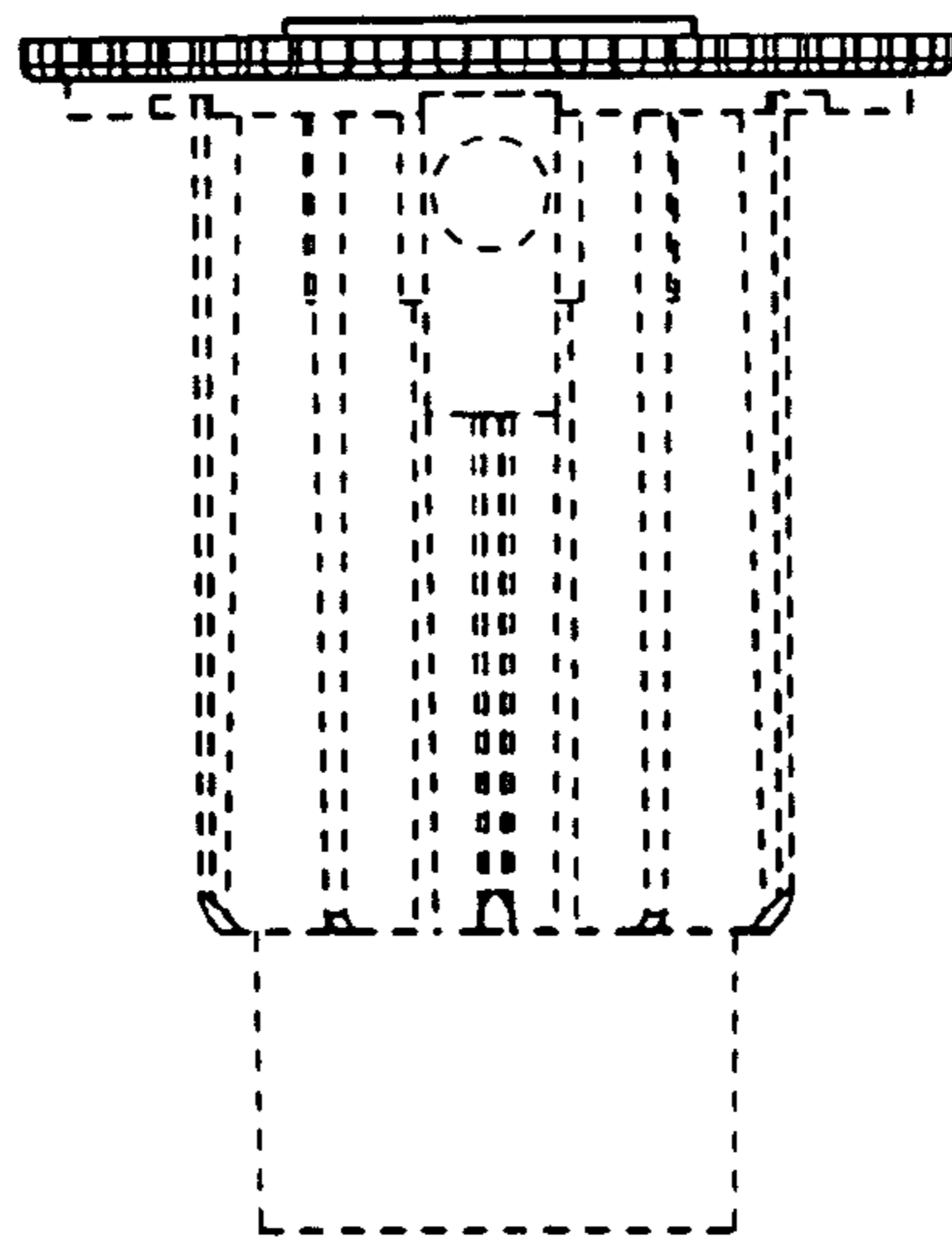


Figure 3

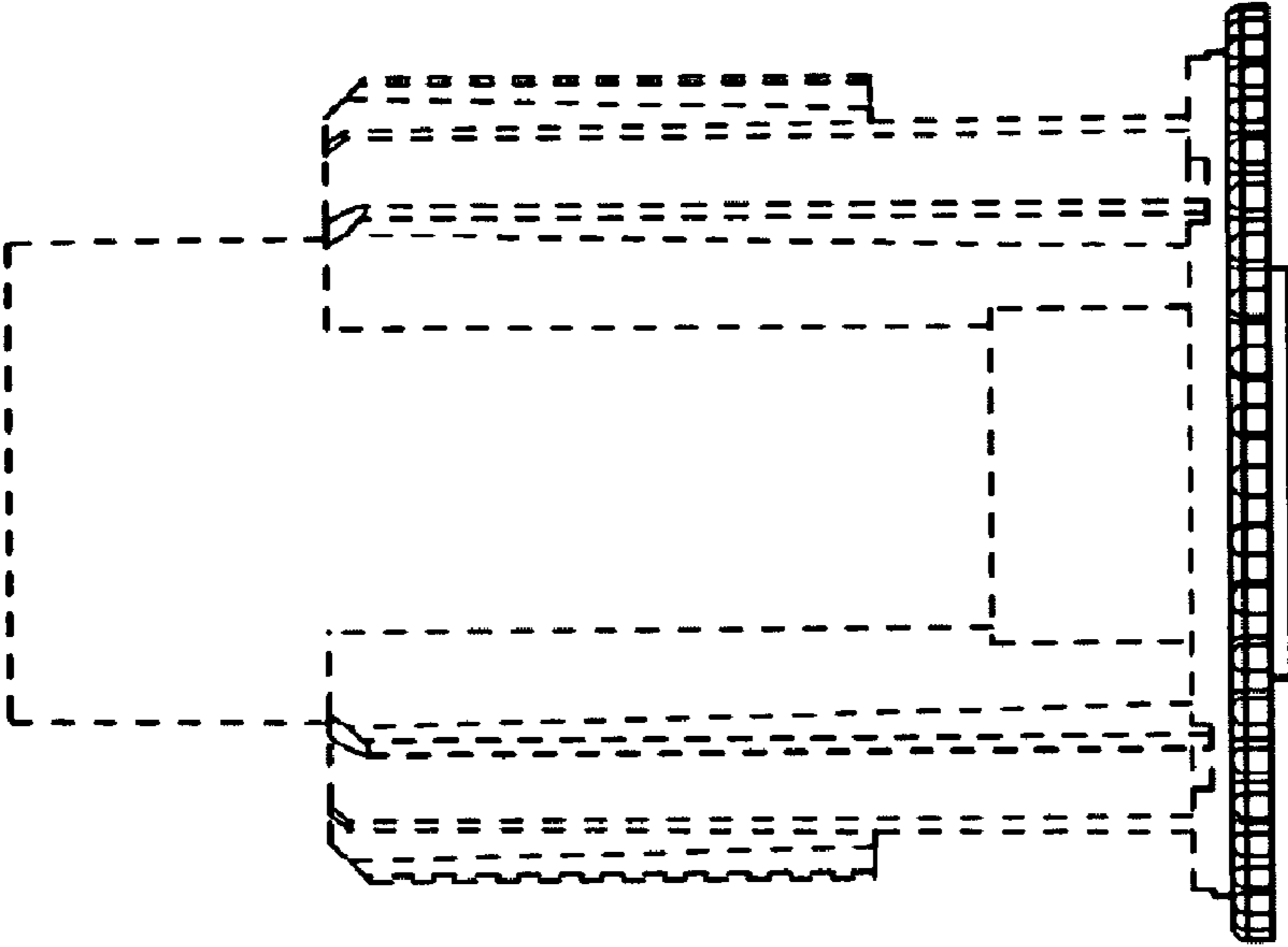


Figure 4

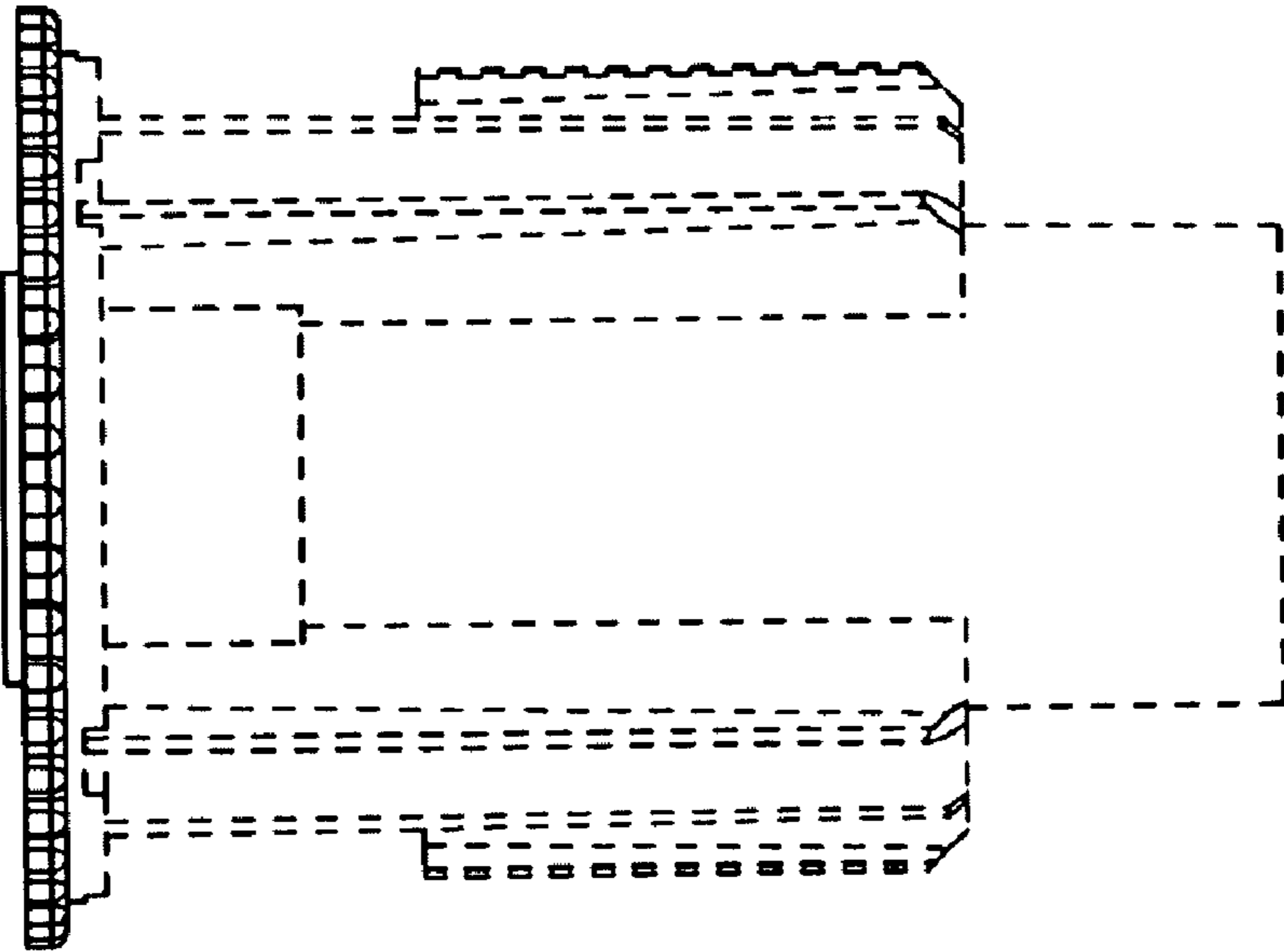


Figure 5

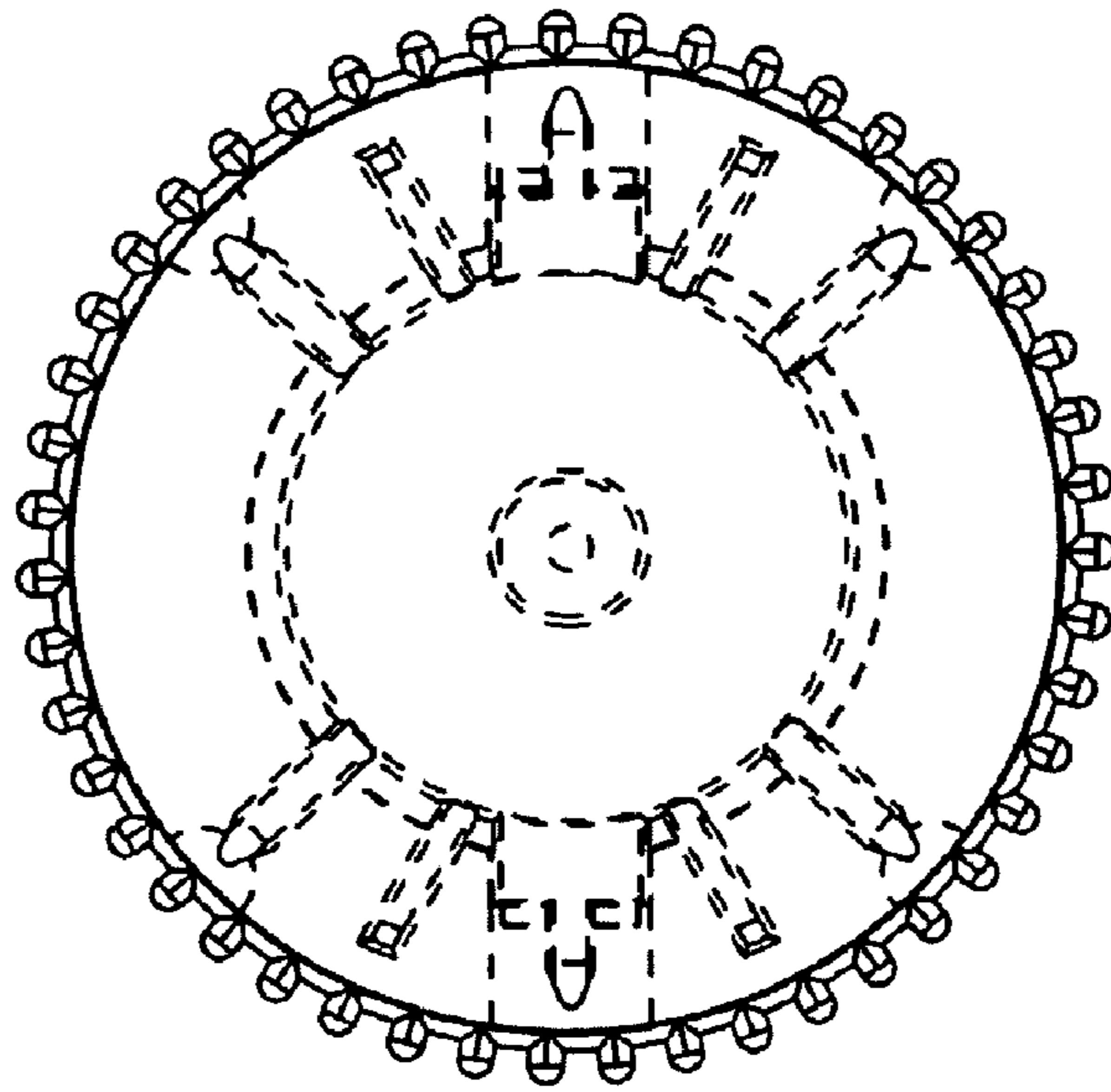


Figure 6

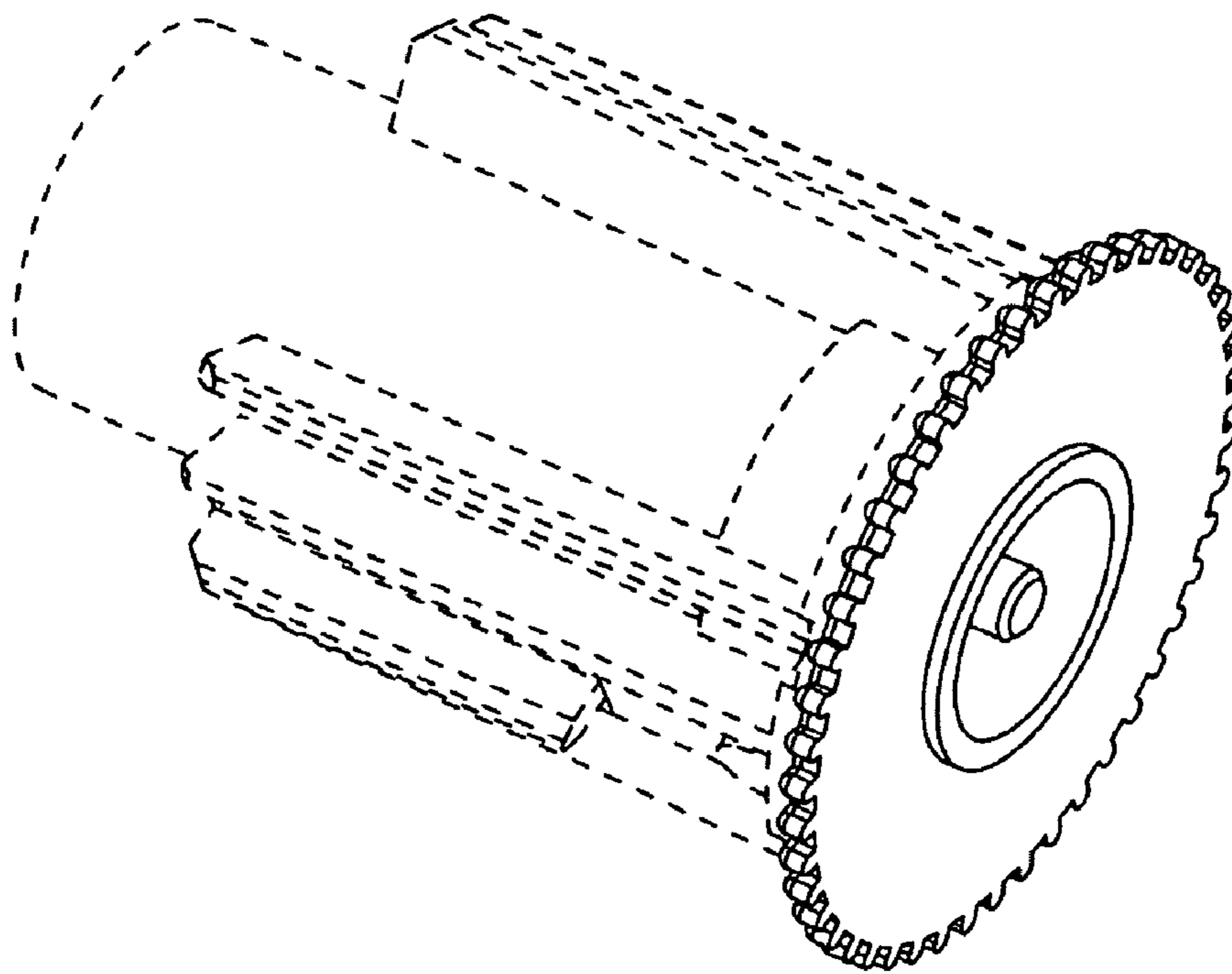


Figure 7

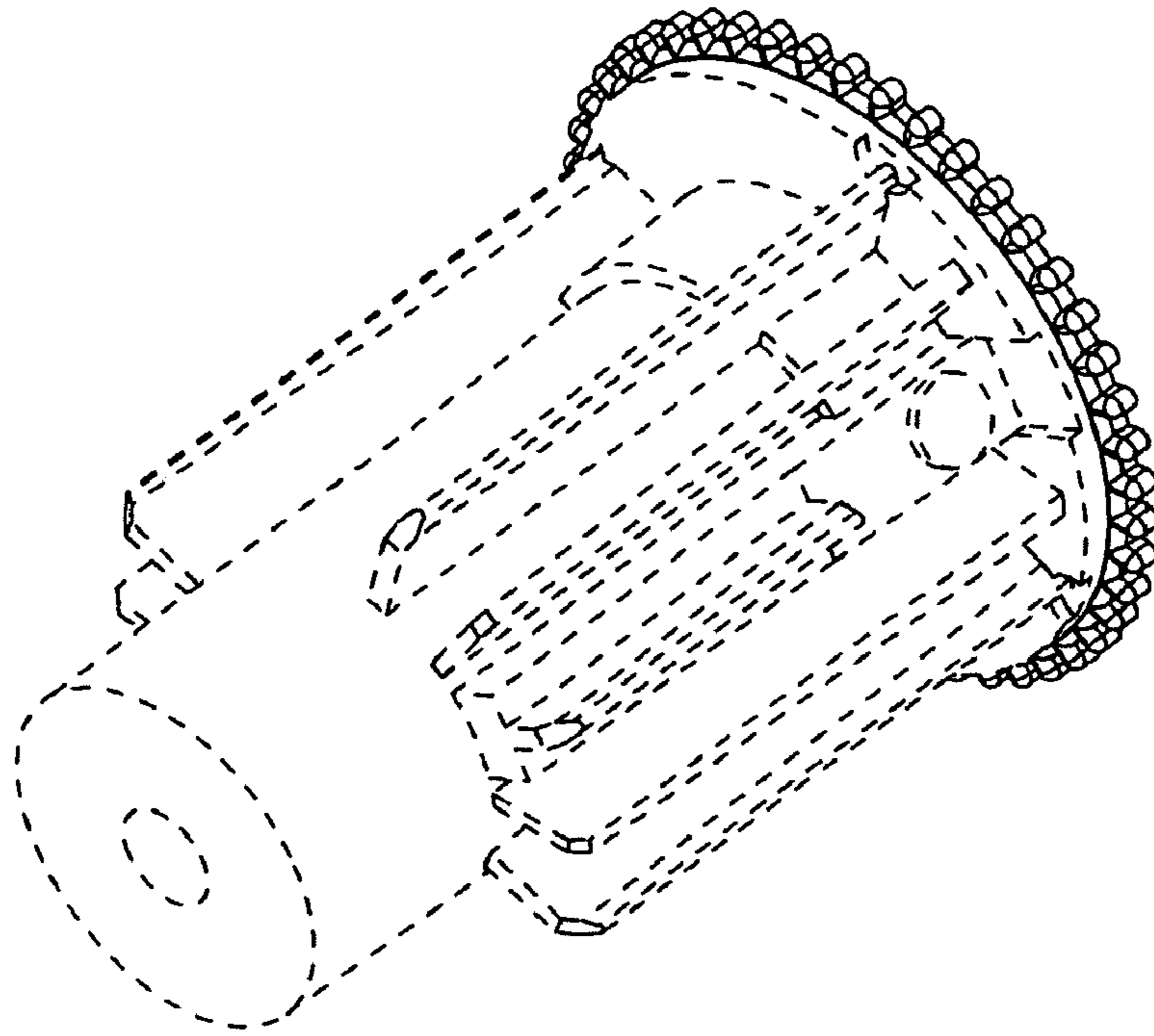


Figure 8

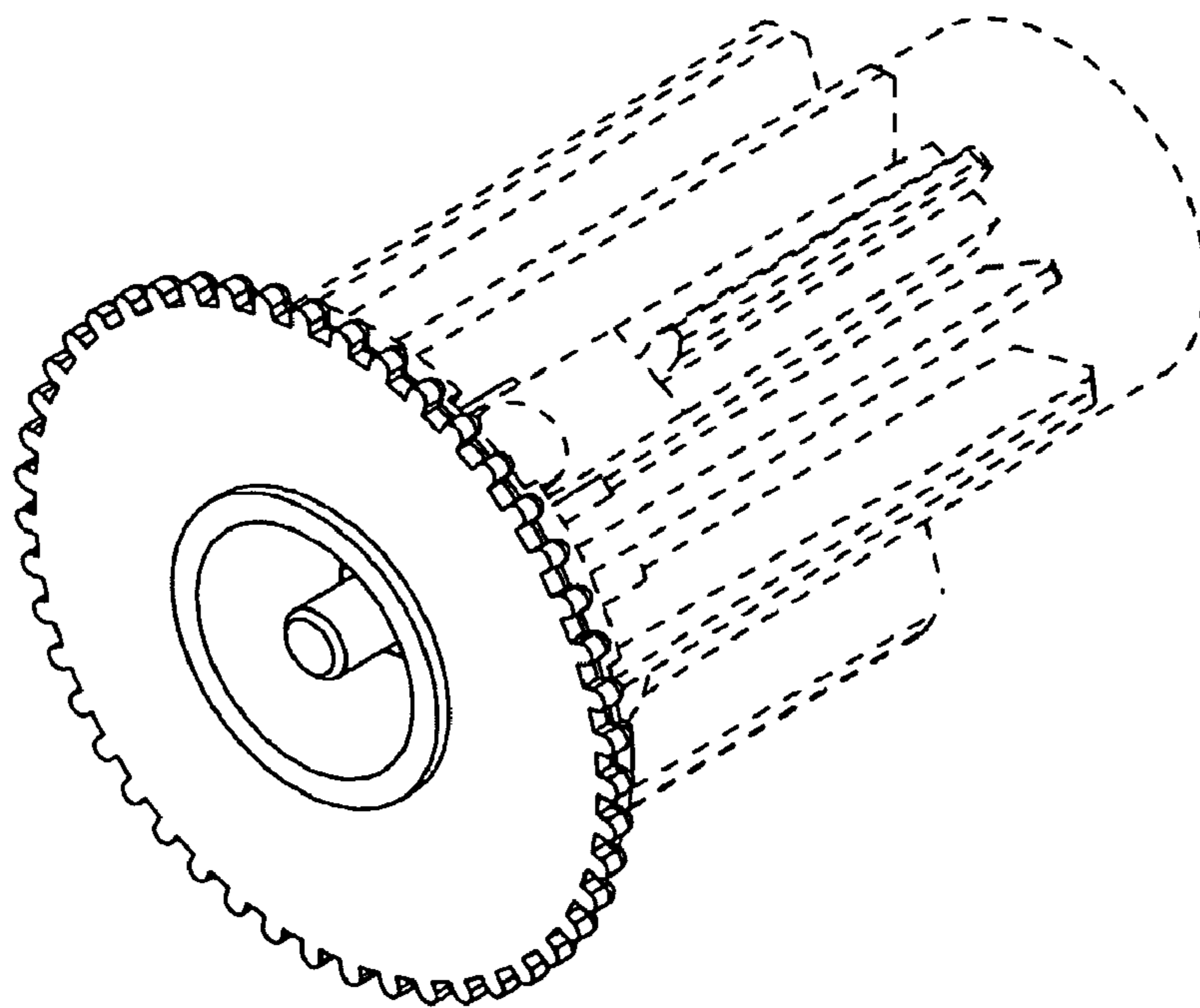


Figure 9