



US00D618025S

(12) **United States Design Patent**
Knockel

(10) **Patent No.:** **US D618,025 S**

(45) **Date of Patent:** **** Jun. 22, 2010**

(54) **ARROWHEAD ARROW HOLDER**

(76) **Inventor:** **Elmer L. Knockel**, 5422 Eisenhower La.
SE., Rochester, MN (US) 55904

(**) **Term:** **14 Years**

(21) **Appl. No.:** **29/316,989**

(22) **Filed:** **Nov. 16, 2009**

(51) **LOC (9) Cl.** **08-08**

(52) **U.S. Cl.** **D6/552**

(58) **Field of Classification Search** D6/329,
D6/396, 417, 552, 553, 567; D21/385, 662,
D21/698, 571, 707, 715; 211/13.1, 49.1,
211/60.1, 64, 70.5, 86.01, 87.01, 88.01, 89.01,
211/181.1; 248/560, 121, 175, 200, 302,
248/304, 309.1, 310, 312, 518, 122.1, 126,
248/85.7

See application file for complete search history.

(56) **References Cited**

U.S. PATENT DOCUMENTS

- 2,275,870 A * 3/1942 Sheldon 211/85.7
- 2,593,789 A * 4/1952 Pearson 211/85.7
- 3,286,961 A * 11/1966 Mandolare 248/518
- 3,584,820 A * 6/1971 Butcher, Sr. 211/60.1

- D260,674 S * 9/1981 Simmons et al. D6/552
- 4,450,967 A * 5/1984 Castro 211/85.7
- D363,850 S * 11/1995 Towler D6/552
- D604,077 S * 11/2009 Cardenas D6/552

* cited by examiner

Primary Examiner—Brian N Vinson

(74) *Attorney, Agent, or Firm*—Tipton L. Randall

(57) **CLAIM**

The ornamental design for an arrowhead arrow holder, as shown and described.

DESCRIPTION

FIG. 1 is a front view of the arrowhead arrow holder embodying my new design,

FIG. 2 is a rear view of FIG. 1,

FIG. 3 is a right side view of FIG. 1,

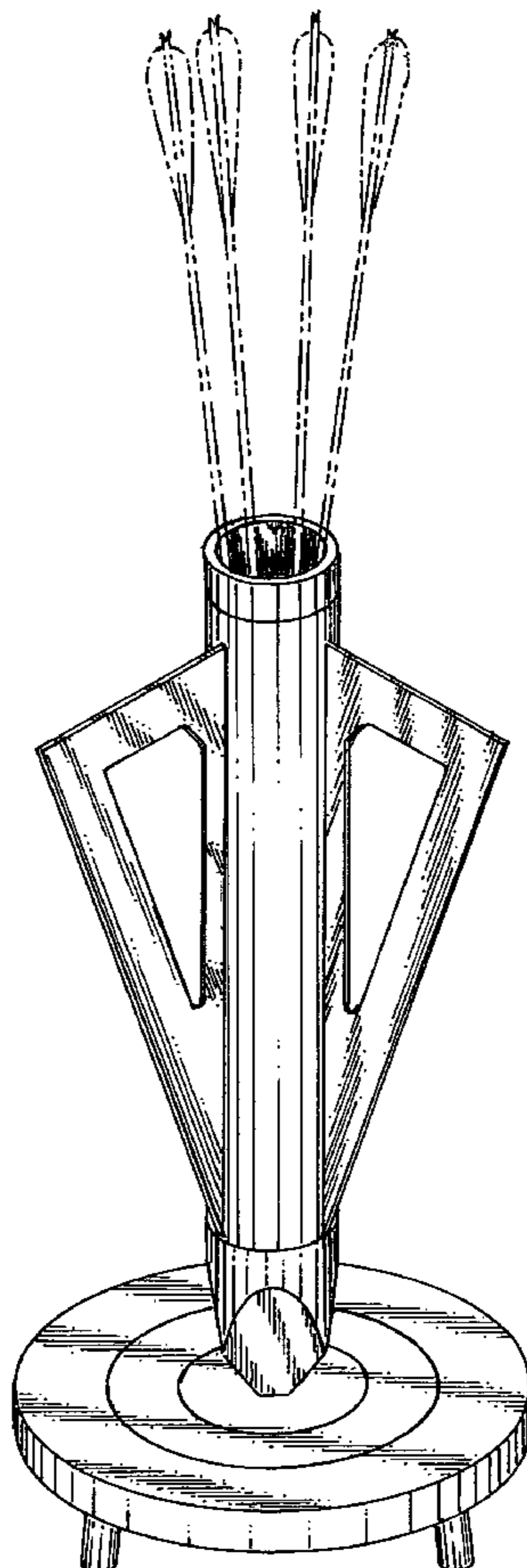
FIG. 4 is a left side view of FIG. 1,

FIG. 5 is a top view of FIG. 1,

FIG. 6 is a bottom view of FIG. 1; and,

FIG. 7 is a perspective front view of the arrowhead arrow holder, the arrows shown in phantom comprising no part of the present invention.

1 Claim, 7 Drawing Sheets



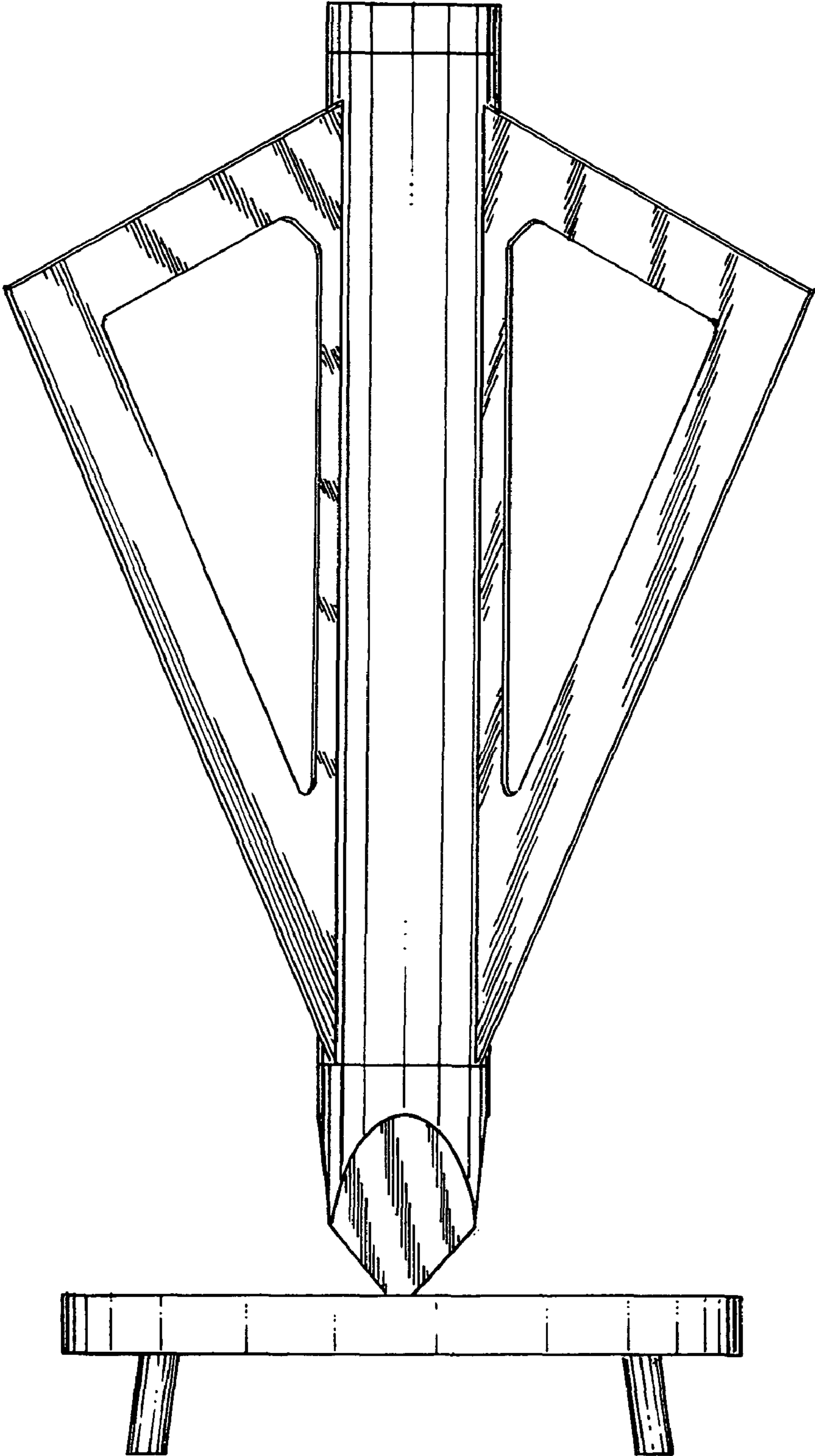


Figure 1

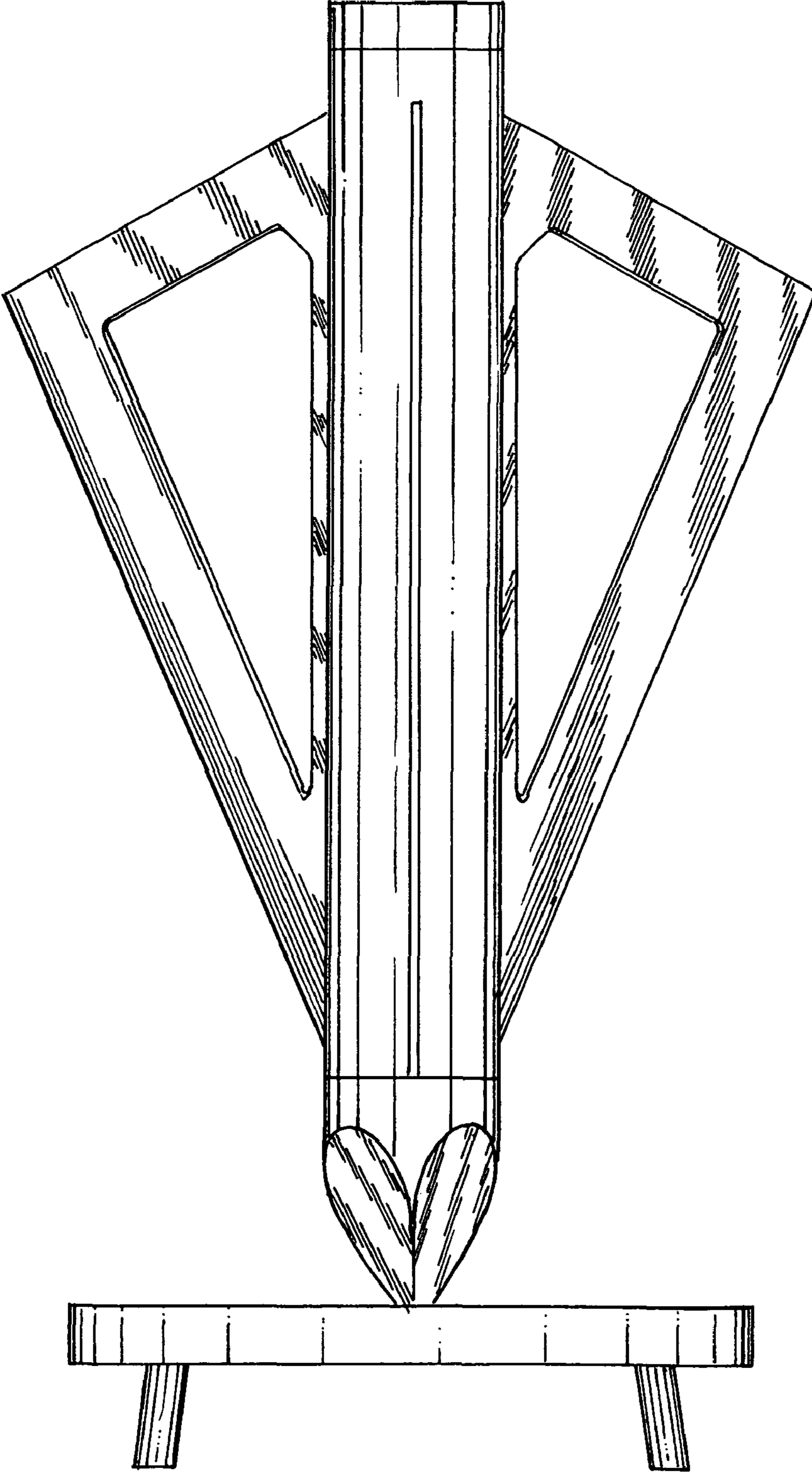


Figure 2

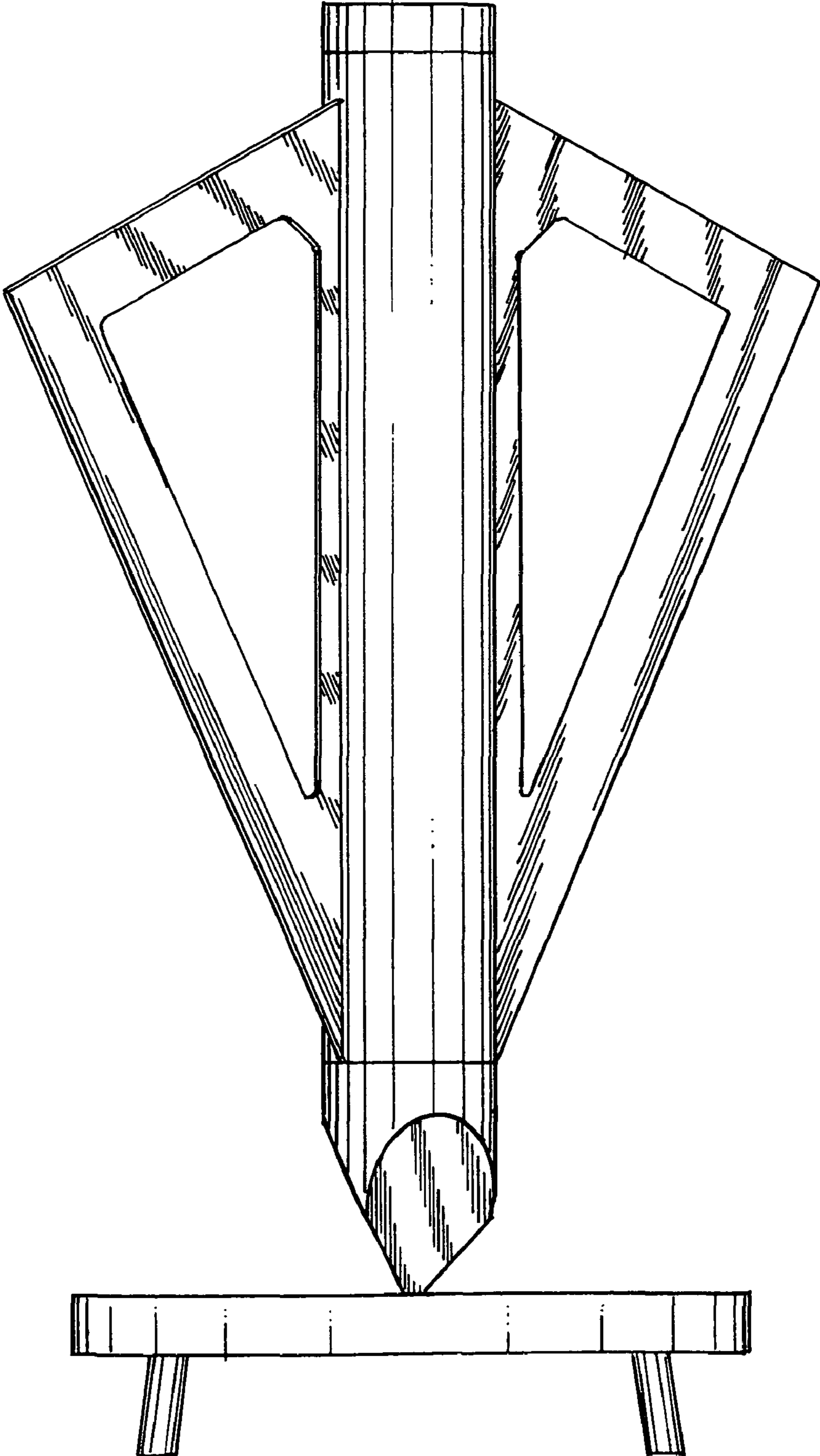


Figure 3

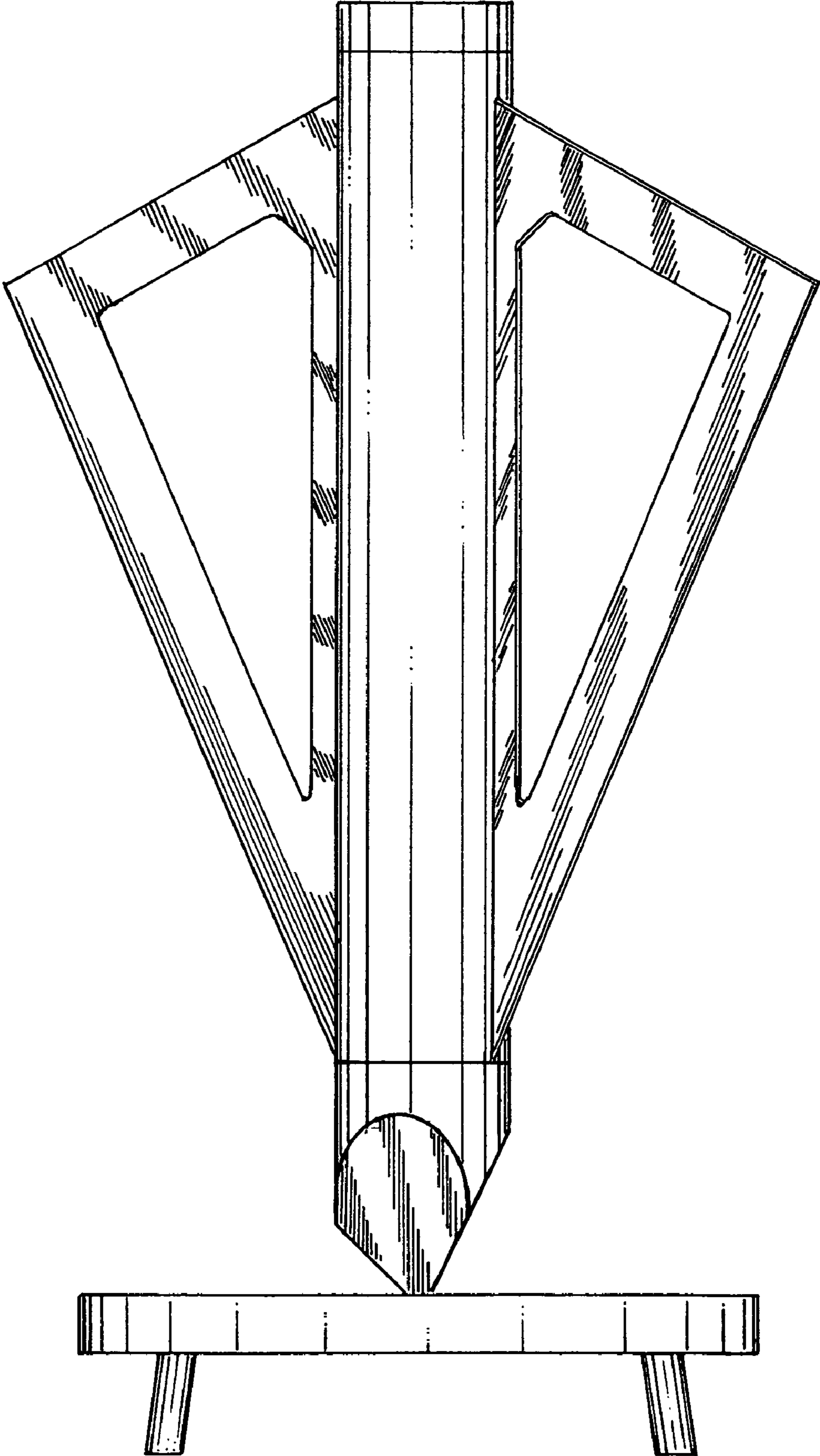


Figure 4

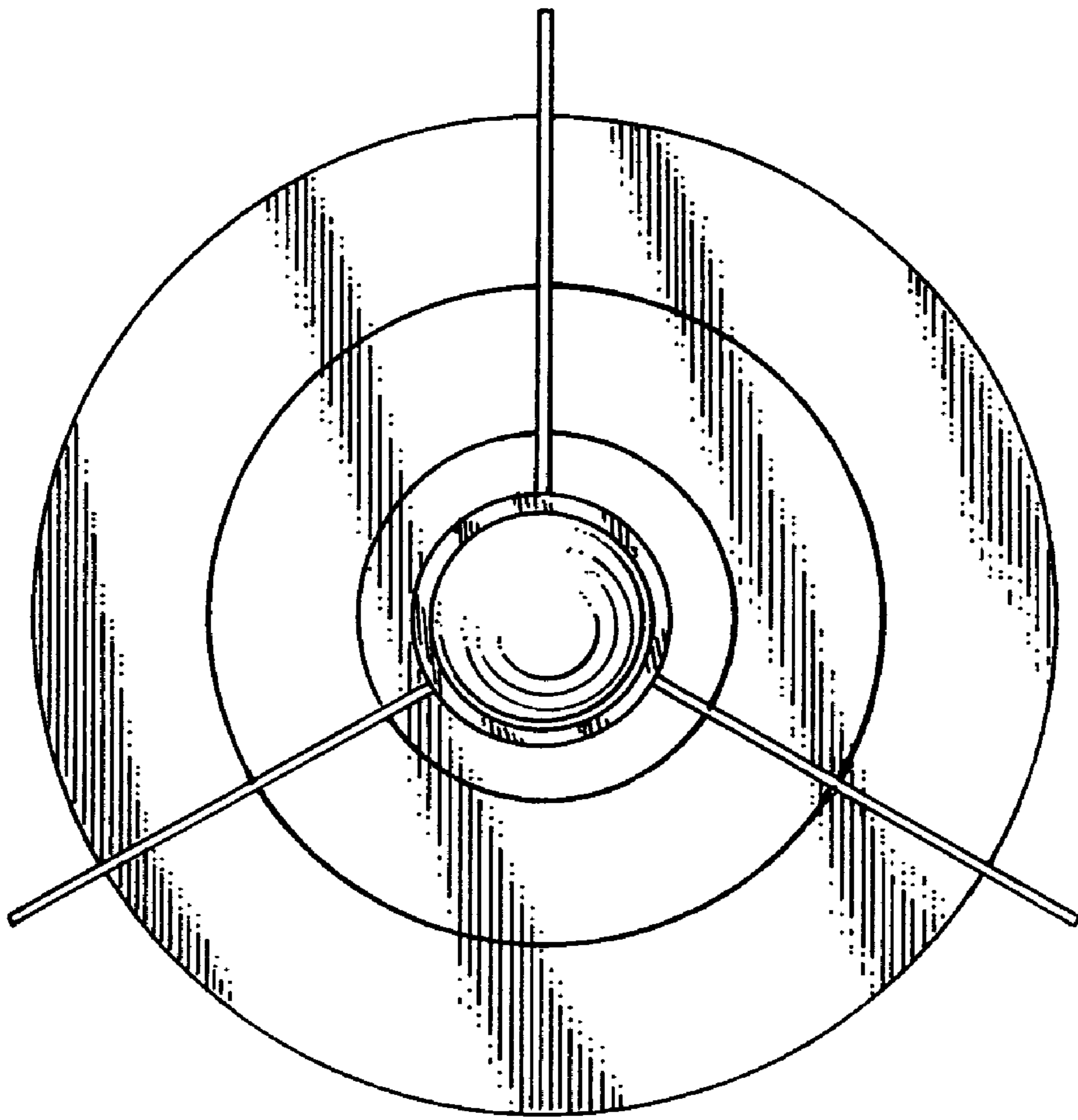


Figure 5

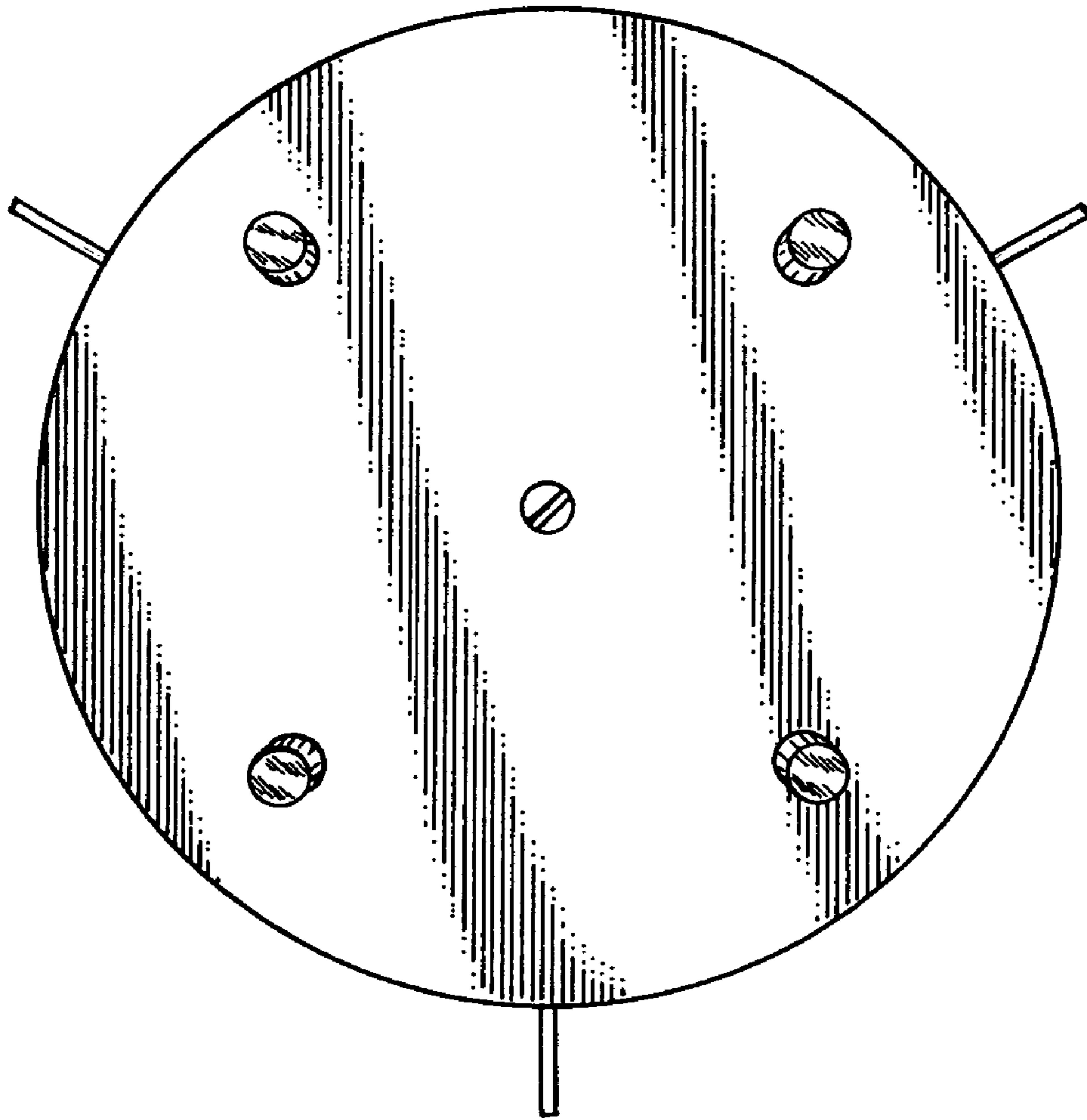


Figure 6

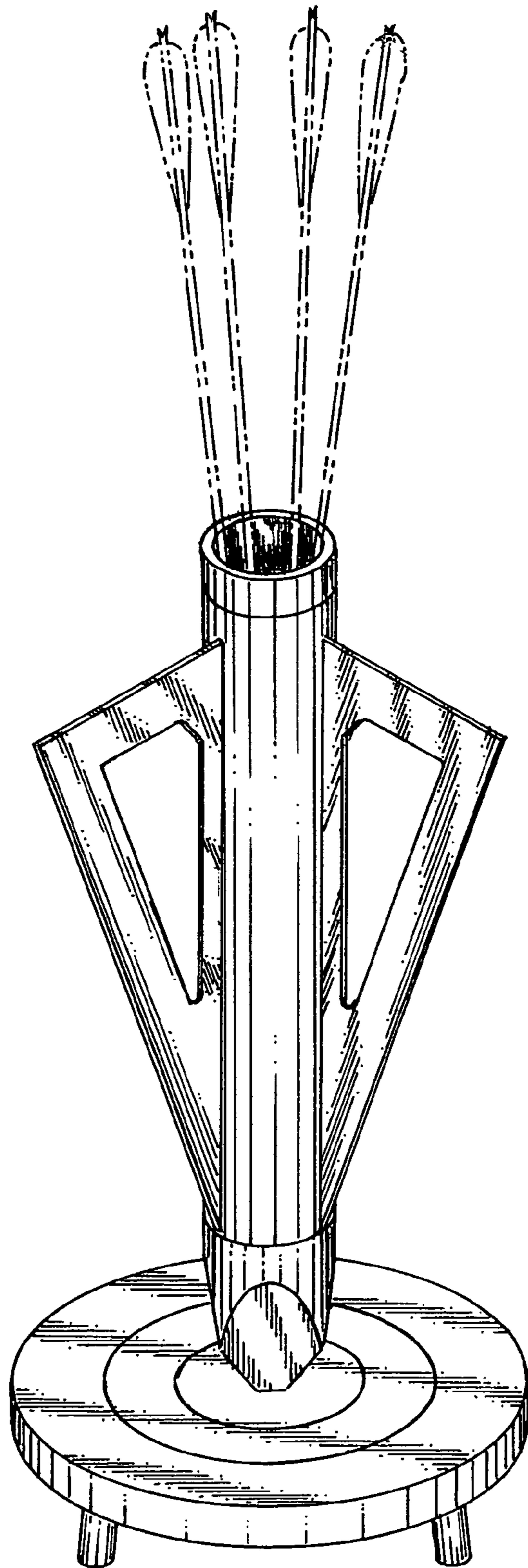


Figure 7