



US00D618022S

(12) **United States Design Patent**  
**Joshua**

(10) **Patent No.:** **US D618,022 S**  
(45) **Date of Patent:** **\*\* Jun. 22, 2010**

(54) **SUPPORT MEMBER**

(76) Inventor: **Laa Joshua**, 513 E. 83 St., Apt. 5E, New York, NY (US) 10028

(\*\*) Term: **14 Years**

(21) Appl. No.: **29/330,696**

(22) Filed: **Jan. 13, 2009**

(51) **LOC (9) Cl.** ..... **23-02**

(52) **U.S. Cl.** ..... **D6/536**

(58) **Field of Classification Search** ..... D6/536-540,  
D6/532; D7/502, 550, 554.2; D9/682, 690,  
D9/692; 206/77.1, 557, 587, 823; 211/13.1,  
211/85.4, 85.12

See application file for complete search history.

(56) **References Cited**

**U.S. PATENT DOCUMENTS**

D285,396 S	*	9/1986	Odate	.....	D6/536
D532,634 S	*	11/2006	Nagoya	.....	D6/536
D533,741 S	*	12/2006	Joseph	.....	D6/536
D549,503 S	*	8/2007	Nagoya	.....	D6/536

\* cited by examiner

*Primary Examiner*—Brian N Vinson  
(74) *Attorney, Agent, or Firm*—Lackenbach Siegel, LLP;  
Andrew F. Young

(57) **CLAIM**

The ornamental design for a support member, as shown and described.

**DESCRIPTION**

FIG. 1 is a top, front, and right side perspective view of a support member showing my new design;

FIG. 2 is a front elevational view thereof;

FIG. 3 is a rear elevational view thereof;

FIG. 4 is a top plan view thereof;

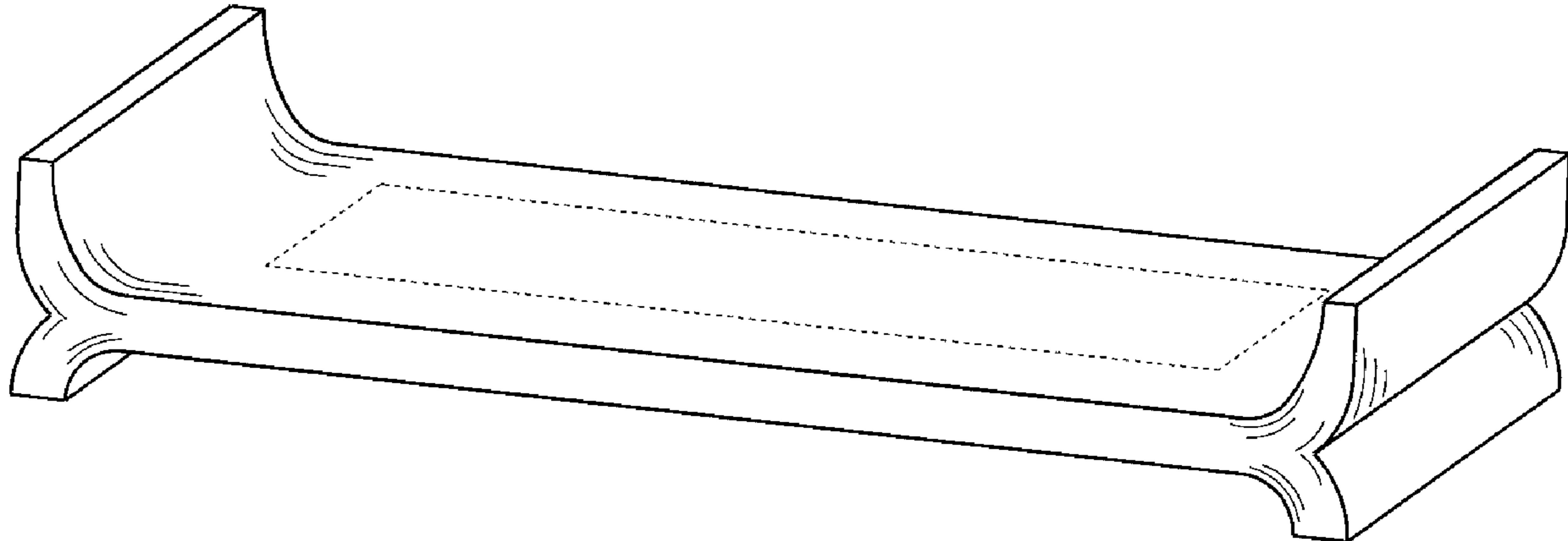
FIG. 5 is a bottom plan view thereof;

FIG. 6 is a left side elevational view thereof; and,

FIG. 7 is a right side elevational view thereof.

The broken-line disclosure is understood to define a portion of the article in which the claimed design is embodied, but which forms no part of the claimed design.

**1 Claim, 7 Drawing Sheets**



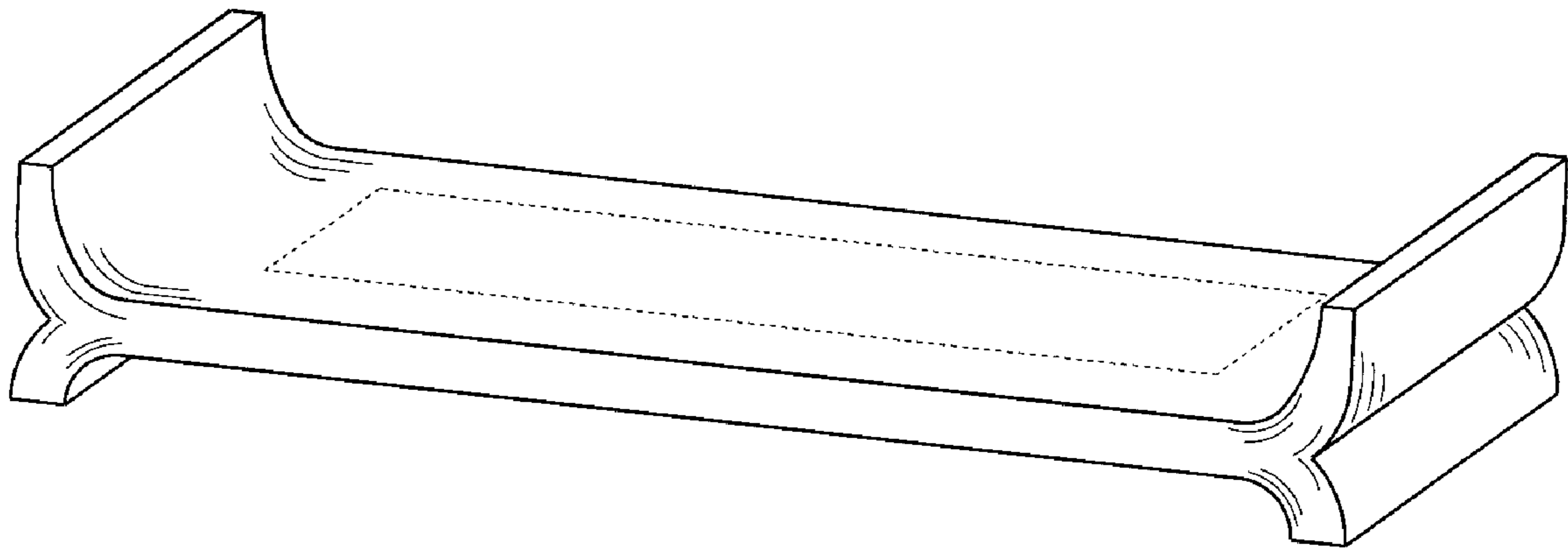


Fig. 1

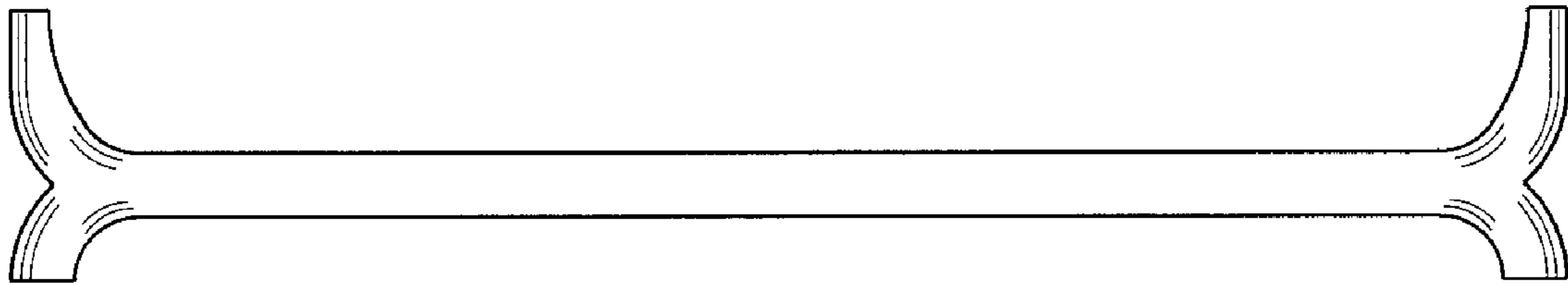


Fig. 2

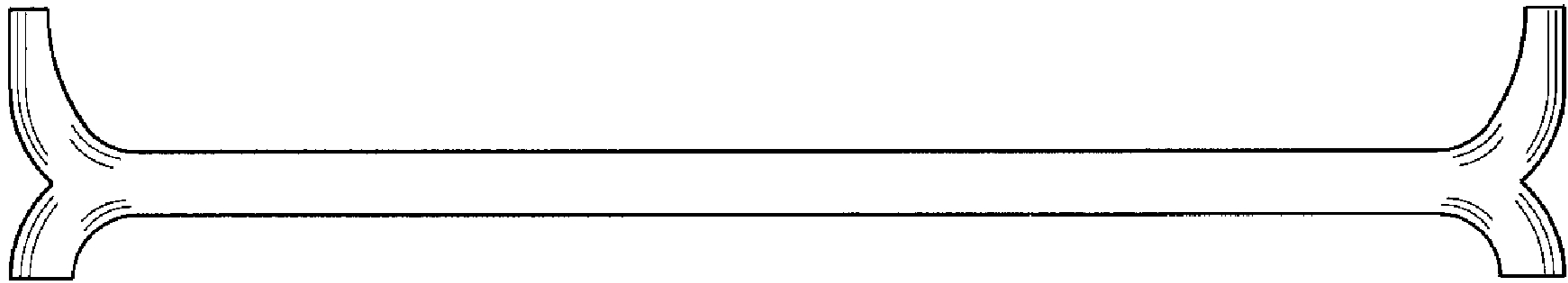


Fig. 3

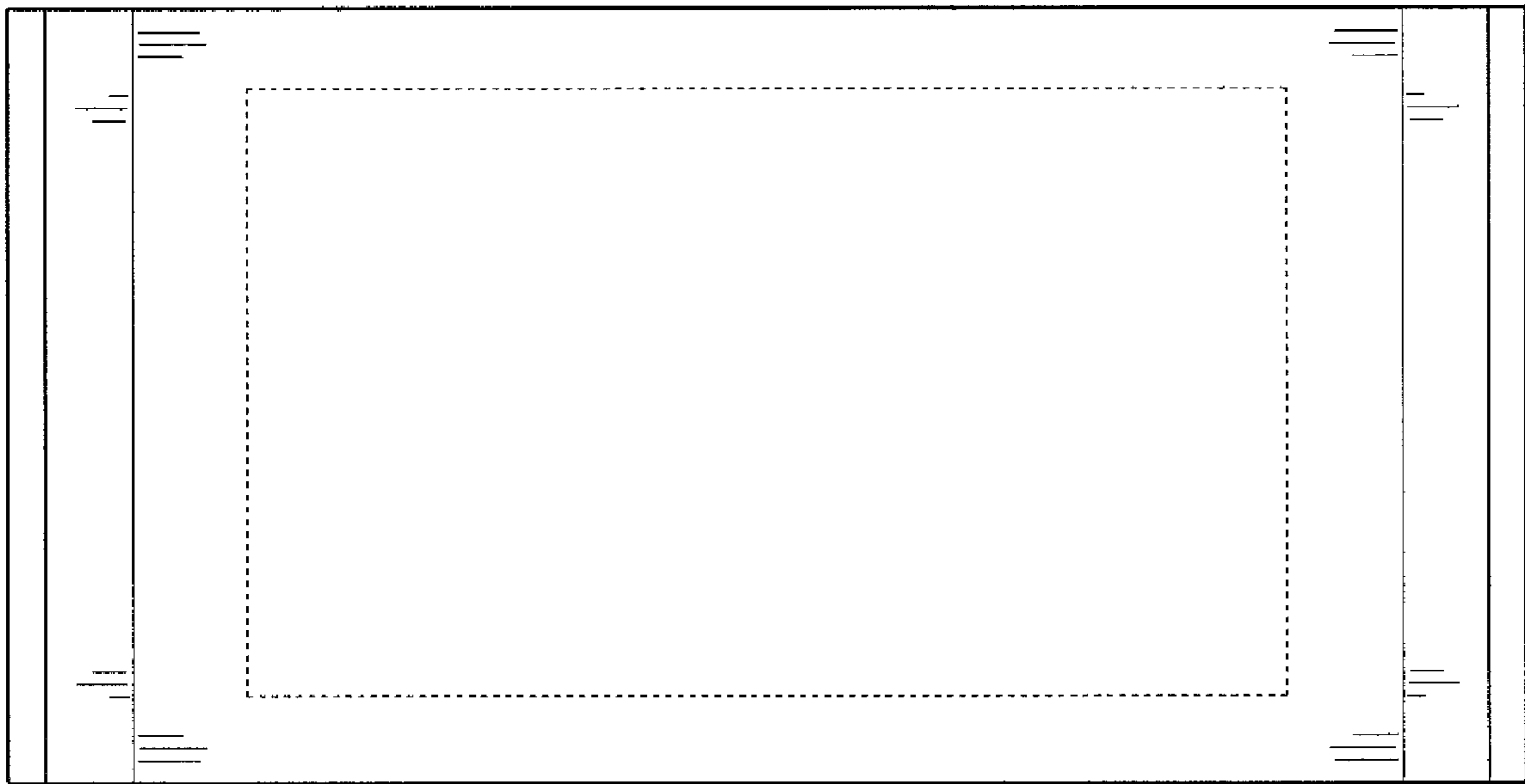


Fig. 4

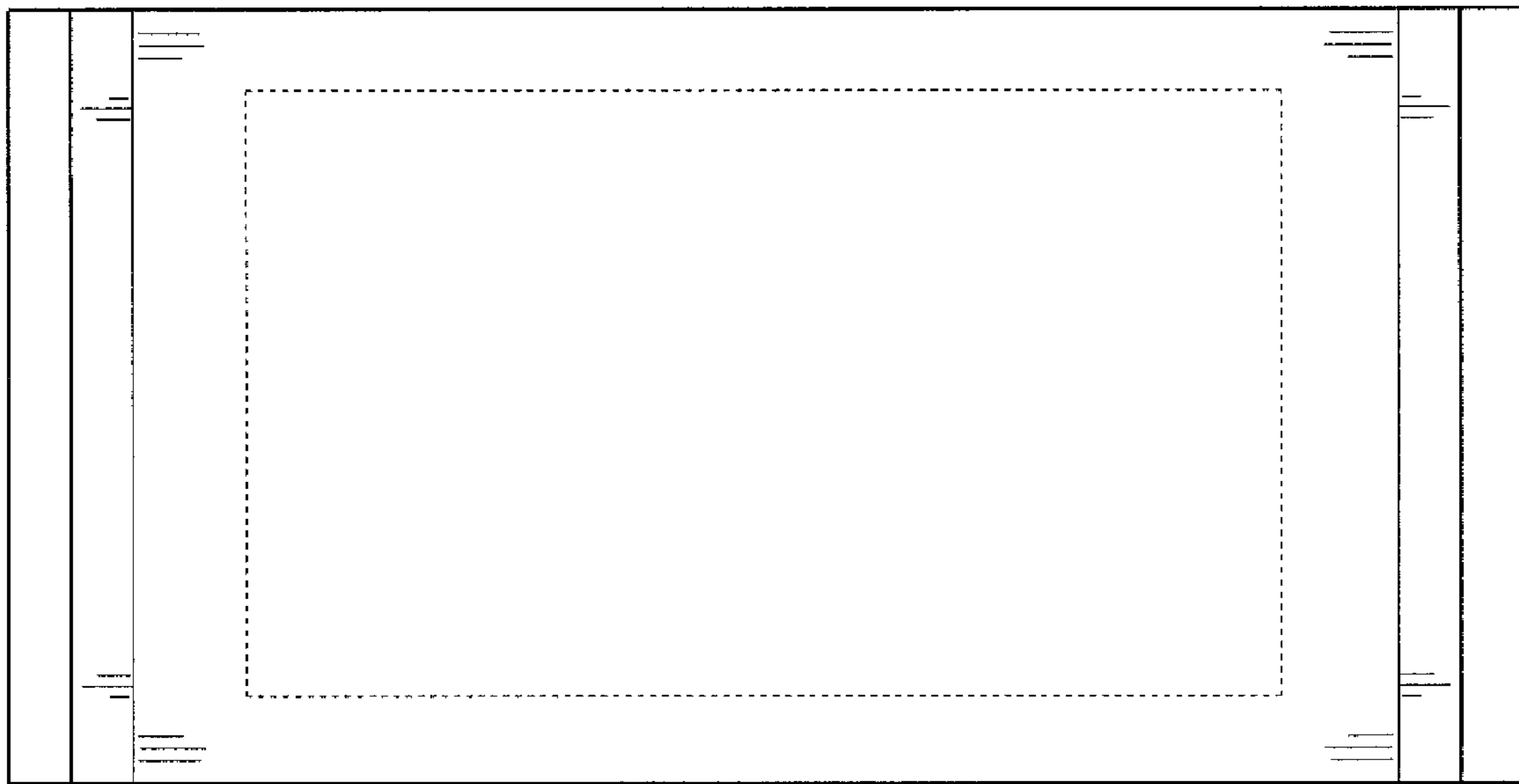


Fig. 5

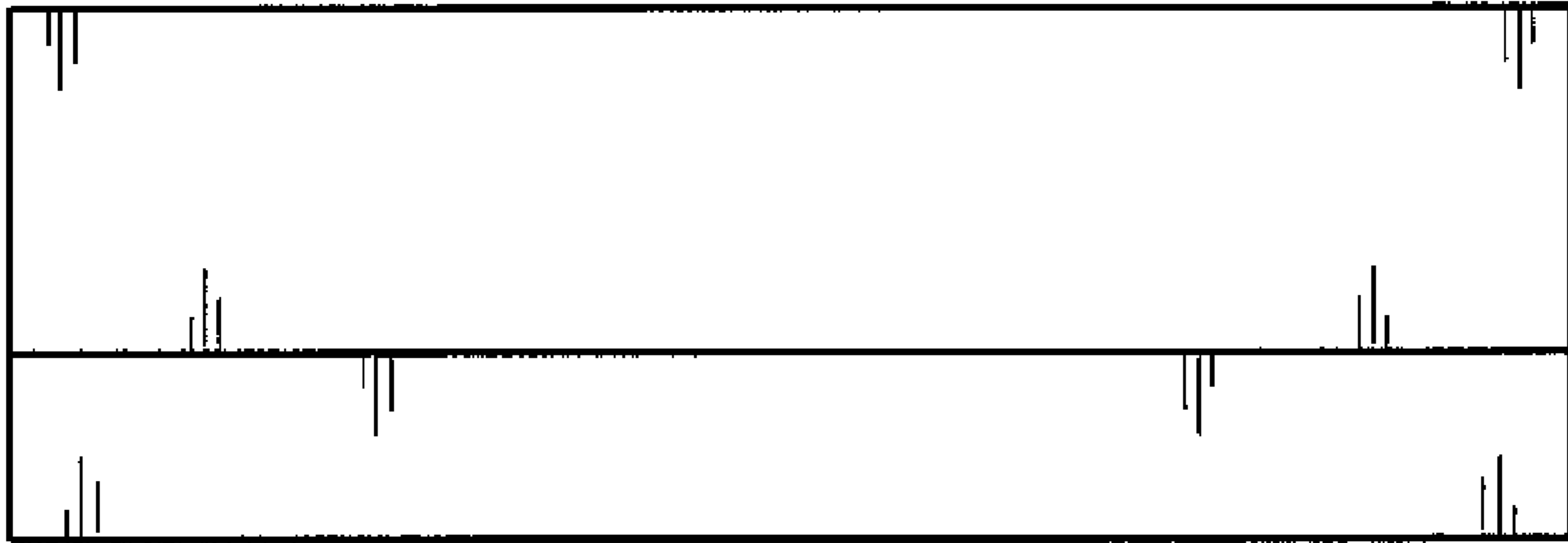


Fig. 6

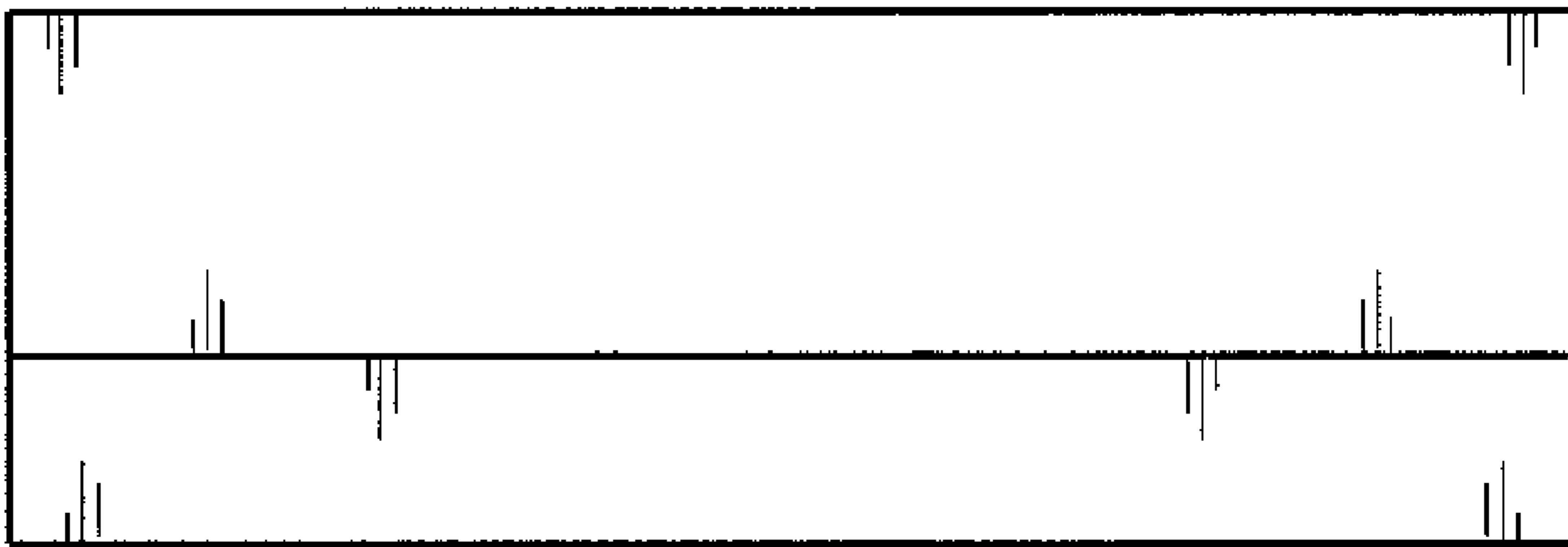


Fig. 7