



US00D618020S

(12) **United States Design Patent**
Gaska et al.

(10) **Patent No.:** **US D618,020 S**
(45) **Date of Patent:** **** Jun. 22, 2010**

(54) **MODULAR CABINET**

(75) Inventors: **Gil Anthony Gaska**, St. Joseph, MI (US); **Leah Z. Lader**, St. Joseph, MI (US); **Todd Christopher Starr**, St. Joseph, MI (US); **Travis M. Perkins**, Granger, IN (US)

(73) Assignee: **Whirlpool Corporation**, Benton Harbor, MI (US)

(**) Term: **14 Years**

(21) Appl. No.: **29/298,686**

(22) Filed: **Dec. 11, 2007**

Related U.S. Application Data

(62) Division of application No. 29/251,333, filed on Jan. 6, 2006, now Pat. No. Des. 561,506.

(51) **LOC (9) Cl.** **06-06**

(52) **U.S. Cl.** **D6/510**

(58) **Field of Classification Search** D6/397,
D6/425-426, 429, 432-448, 470, 474, 477-480,
D6/484, 492-495, 510; D12/203; D13/184;
D14/189, 193, 308, 396-397, 432; D15/91;
D25/158; D34/1, 12, 27; 238/14; 312/107,
312/114, 198, 204, 209, 224, 249.9, 257
See application file for complete search history.

(56) **References Cited**

U.S. PATENT DOCUMENTS

D95,158 S *	4/1935	Surerus	D25/158
4,787,556 A *	11/1988	Heisson	238/14
D372,011 S *	7/1996	Tyler	D12/203
D409,613 S *	5/1999	McGee et al.	D14/189
D441,336 S *	5/2001	Hussaini et al.	D12/203
D458,884 S *	6/2002	Kraines	D12/203
D471,377 S *	3/2003	Gledhill et al.	D6/432
D495,912 S *	9/2004	Schmidt et al.	D6/561
D497,921 S *	11/2004	Schmidt et al.	D15/91
D503,839 S *	4/2005	Schmidt et al.	D34/27
D504,989 S *	5/2005	Schmidt et al.	D34/27

D506,088 S *	6/2005	Moon et al.	D6/446
D507,914 S *	8/2005	Schmidt et al.	D6/510
D508,348 S *	8/2005	Moon et al.	D6/446

(Continued)

Primary Examiner—Caron Veynar

Assistant Examiner—Ricky Pham

(74) *Attorney, Agent, or Firm*—Tara M. Hartman; McGarry Bair PC

(57) **CLAIM**

The ornamental design for a modular cabinet, as shown and described.

DESCRIPTION

FIG. 1 is a left front perspective view of the design of the modular cabinet;

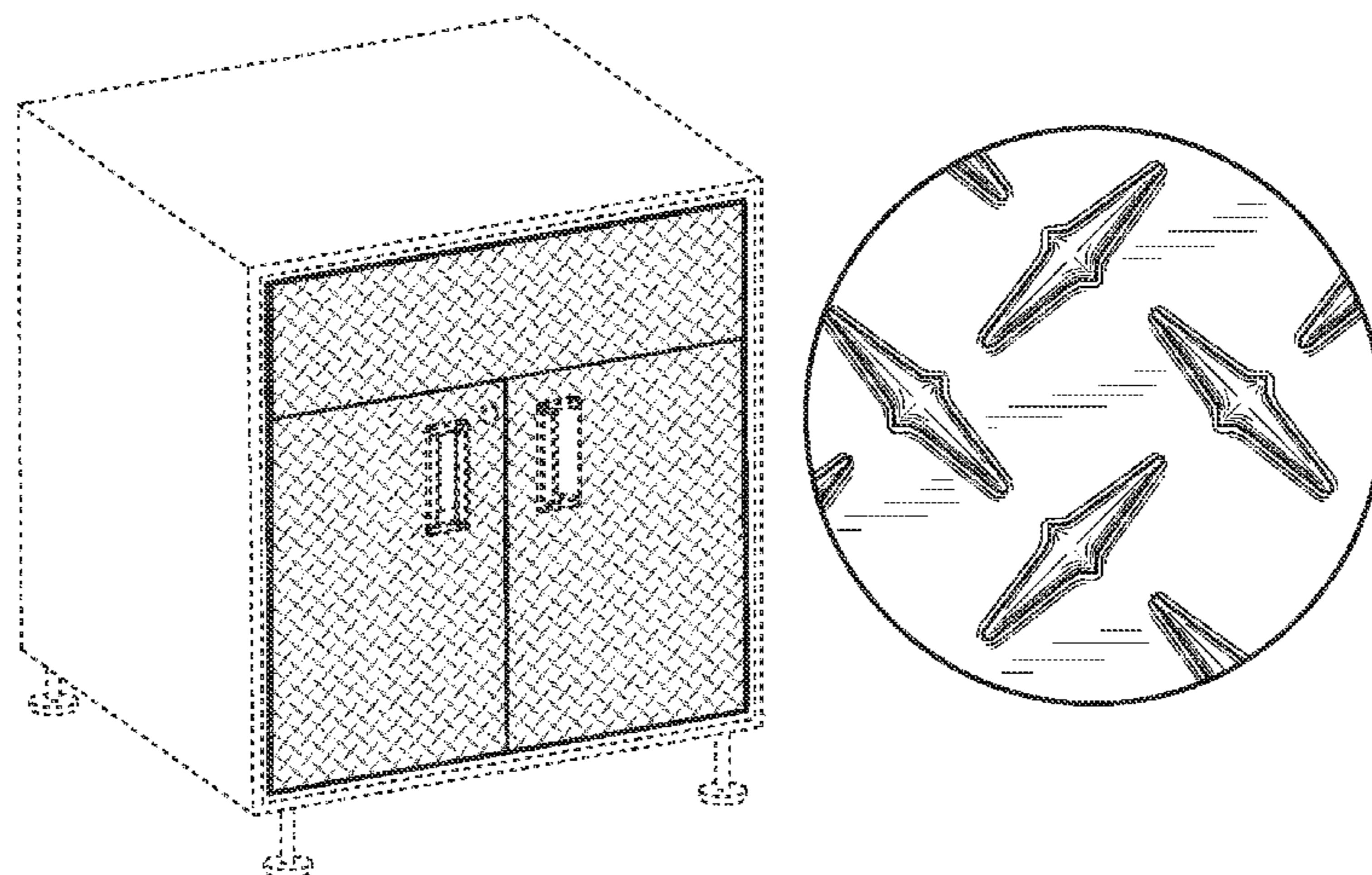
FIG. 2 is a front elevational view thereof. The ornamental design is not visible in a rear view, top plan view, right or left side views or bottom view; and,

FIG. 3 is an enlarged view of the pattern on the modular cabinet doors and drawer.

The characteristic feature of the ornamental design resides in the use of a pattern on the modular cabinet doors and drawer according to the ornamental design is shown in FIGS. 1-3.

Those portions of modular cabinet in broken lines, specifically the surfaces of the modular cabinet at the side and bottom edges of the doors and the top and side edges of the drawer and the surfaces extending back from the doors and drawers including other surfaces of the modular cabinet including the legs are for illustrative purposes only and not part of the claimed invention.

1 Claim, 2 Drawing Sheets



US D618,020 S

Page 2

U.S. PATENT DOCUMENTS

6,926,376 B2 *	8/2005	Arent et al.	312/249.9	D521,285 S *	5/2006	Schmidt et al.	D6/510
D510,831 S *	10/2005	Schmidt et al.	D6/510	D527,212 S *	8/2006	Schmidt et al.	D6/510
D514,854 S *	2/2006	Schmidt et al.	D6/510	D579,697 S *	11/2008	Schmidt et al.	D6/510
D515,342 S *	2/2006	Schmidt et al.	D6/510	D587,503 S *	3/2009	Schmidt et al.	D6/561
D518,984 S *	4/2006	Schmidt et al.	D16/510	D590,646 S *	4/2009	Punzel et al.	D6/561
D520,784 S *	5/2006	Schmidt et al.	D6/510	D595,983 S *	7/2009	Schmidt et al.	D6/561

* cited by examiner

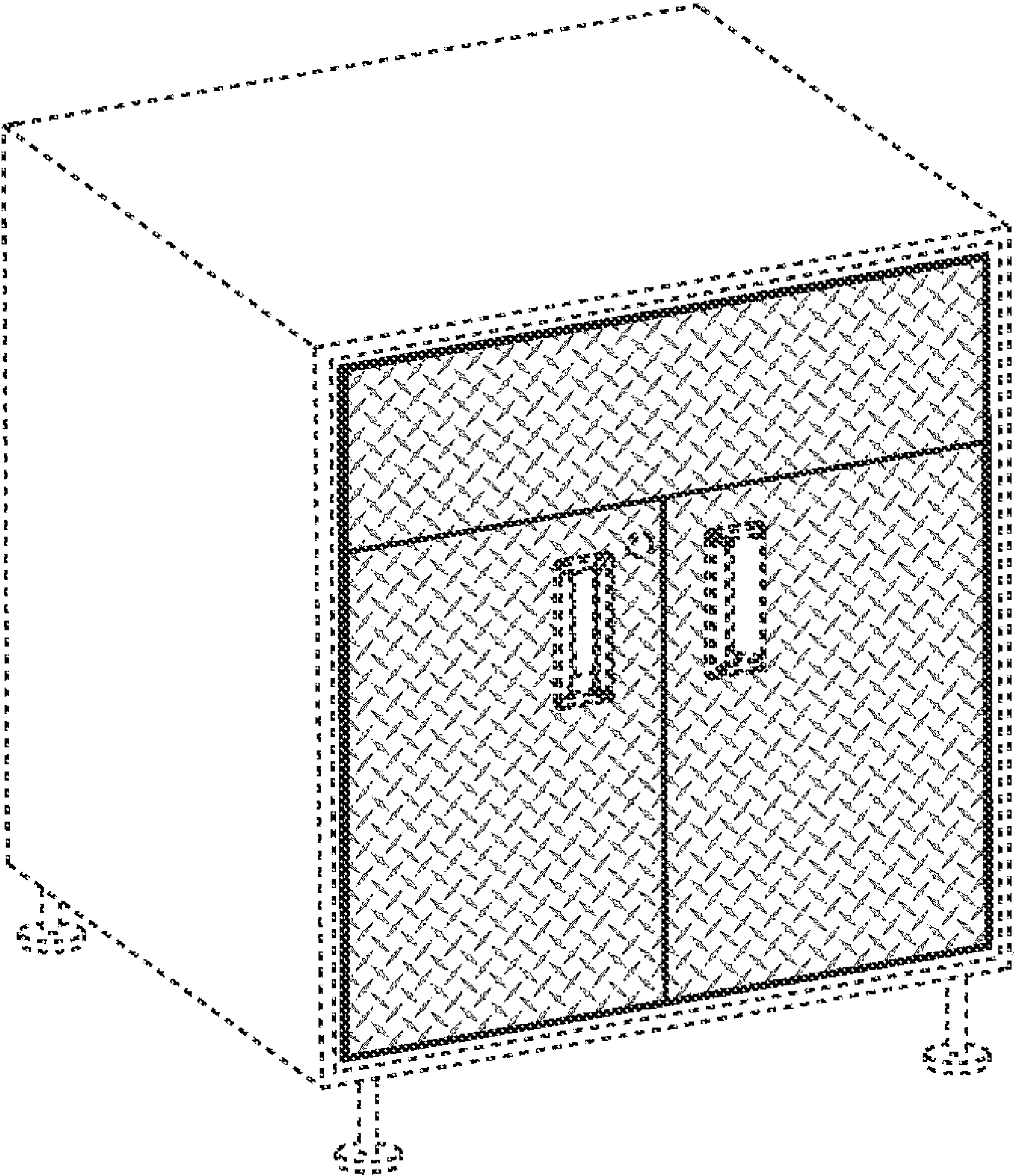


Fig. 1

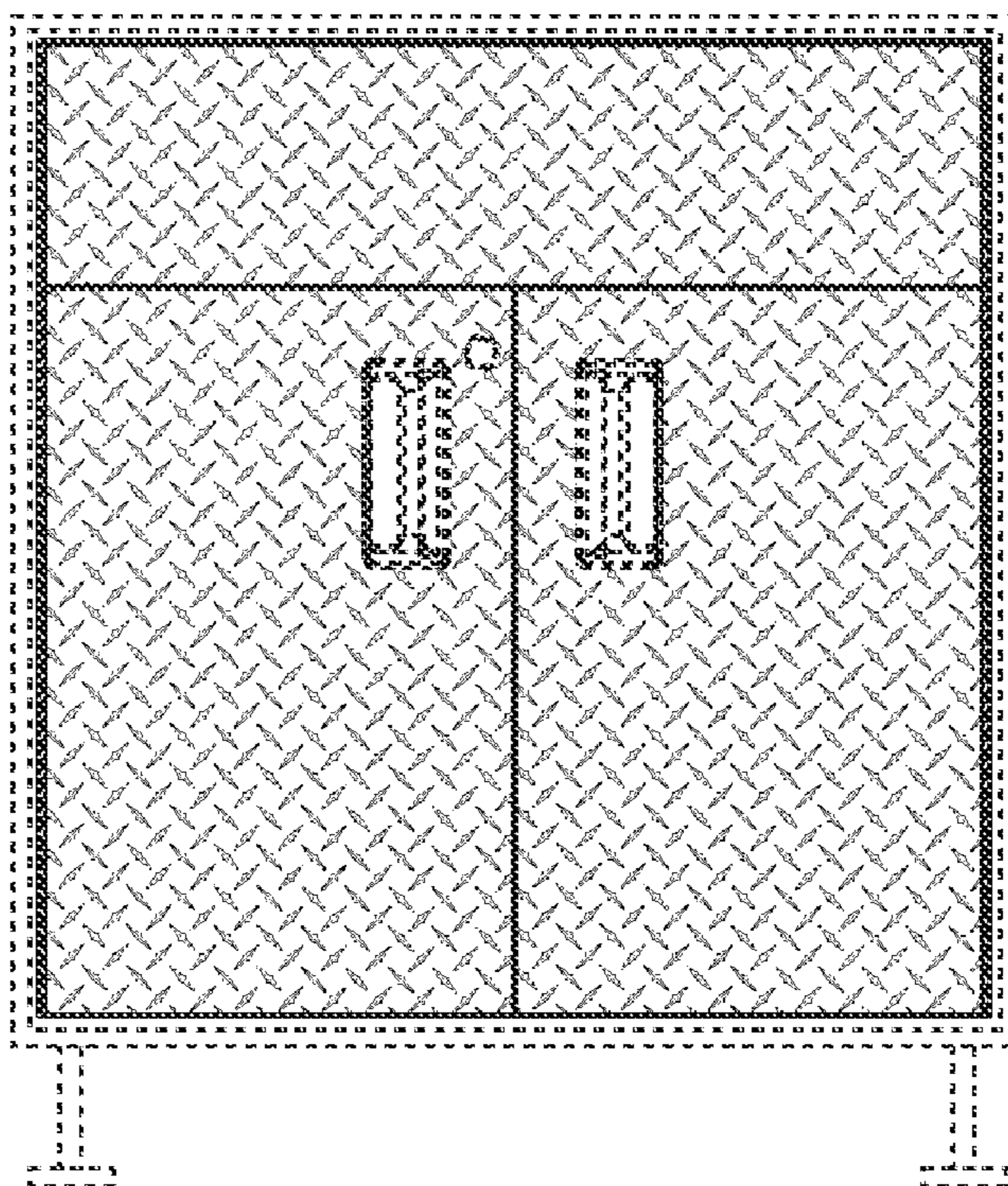


Fig. 2

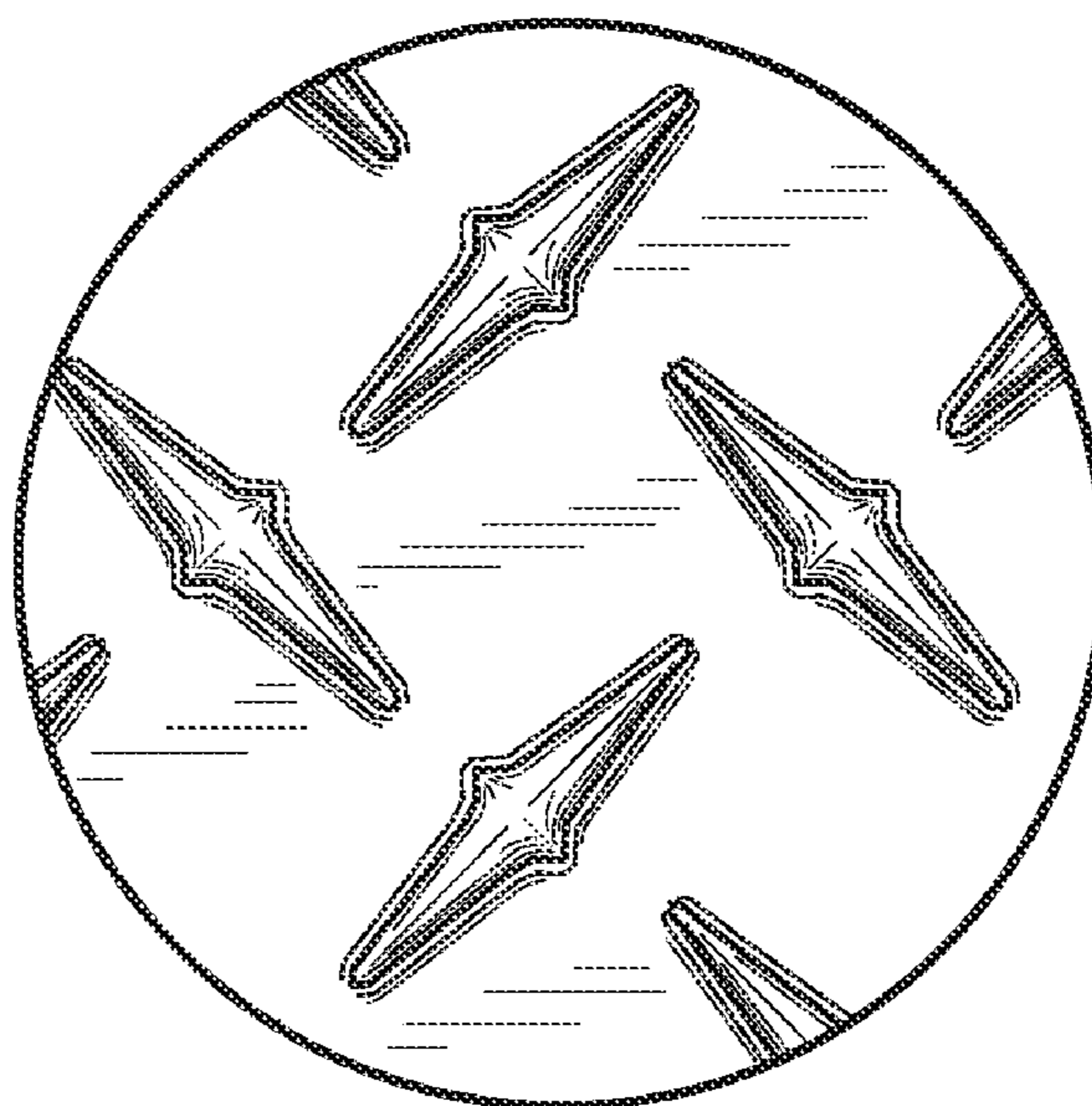


Fig. 3