



US00D618017S

(12) **United States Design Patent**
Sexton

(10) **Patent No.:** **US D618,017 S**
(45) **Date of Patent:** **** Jun. 22, 2010**

(54) **COMPUTER DESK**

(75) Inventor: **James S. Sexton**, San Ramon, CA (US)

(73) Assignee: **Z-Line Designs, Inc.**, San Ramon, CA (US)

(**) Term: **14 Years**

(21) Appl. No.: **29/345,226**

(22) Filed: **Oct. 12, 2009**

(51) **LOC (9) Cl.** **06-03**

(52) **U.S. Cl.** **D6/484**

(58) **Field of Classification Search** D6/422-428,
D6/480-484, 495-499; 312/194-196, 239,
312/279; 108/50.01, 50.02, 153.1, 155, 156,
108/161; 248/188, 188.1, 188.8

See application file for complete search history.

(56) **References Cited**

U.S. PATENT DOCUMENTS

D96,633 S *	8/1935	Swanson	D6/480
D247,404 S *	3/1978	Harris	D6/483
D288,637 S *	3/1987	Winzeler, III	D6/429
D431,398 S *	10/2000	Luong et al.	D6/484
D474,355 S	5/2003	Sexton		
D489,200 S *	5/2004	Antonioni	D6/484
D527,550 S	9/2006	Sexton		
D569,126 S	5/2008	Sexton		
D569,132 S	5/2008	Sexton		
D573,366 S	7/2008	Sexton		

D580,684 S	11/2008	Sexton		
D592,892 S	5/2009	Sexton		
D598,676 S	8/2009	Sexton		
D603,627 S *	11/2009	Wen	D6/484

OTHER PUBLICATIONS

U.S. Appl. No. 29/337,850, filed May 29, 2009, titled "Desk", Inventor: James S. Sexton.

* cited by examiner

Primary Examiner—Janice E Seeger

(74) *Attorney, Agent, or Firm*—Townsend and Townsend and Crew LLP

(57) **CLAIM**

The ornamental design for a computer desk, as shown and described.

DESCRIPTION

FIG. 1 is a perspective view of a computer desk showing my new design;

FIG. 2 is a front elevational view thereof;

FIG. 3 is a rear elevational view thereof;

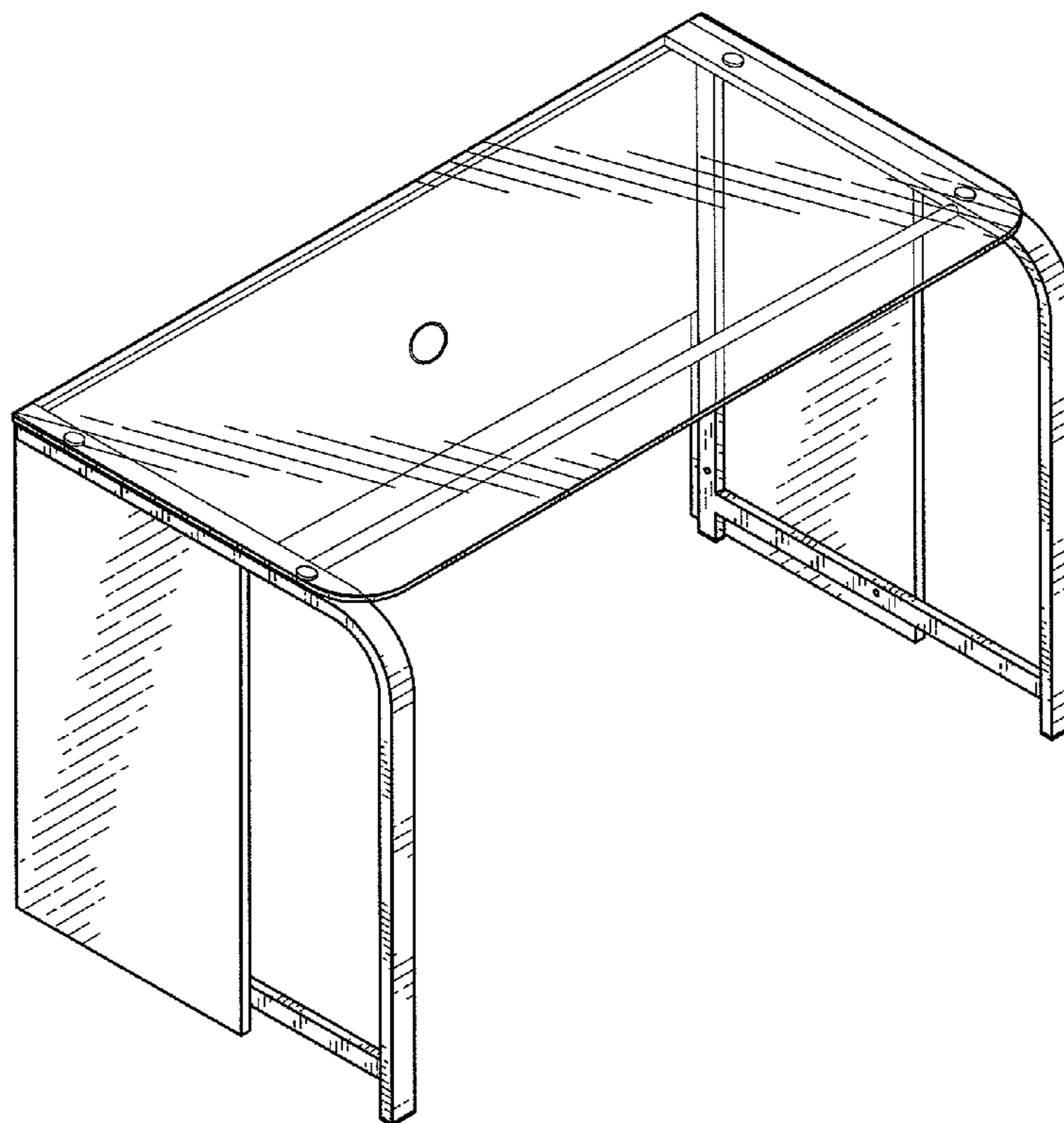
FIG. 4 is a right side elevational view thereof;

FIG. 5 is a left side elevational view thereof;

FIG. 6 is a top plan view thereof; and,

FIG. 7 is a bottom plan view thereof.

1 Claim, 4 Drawing Sheets



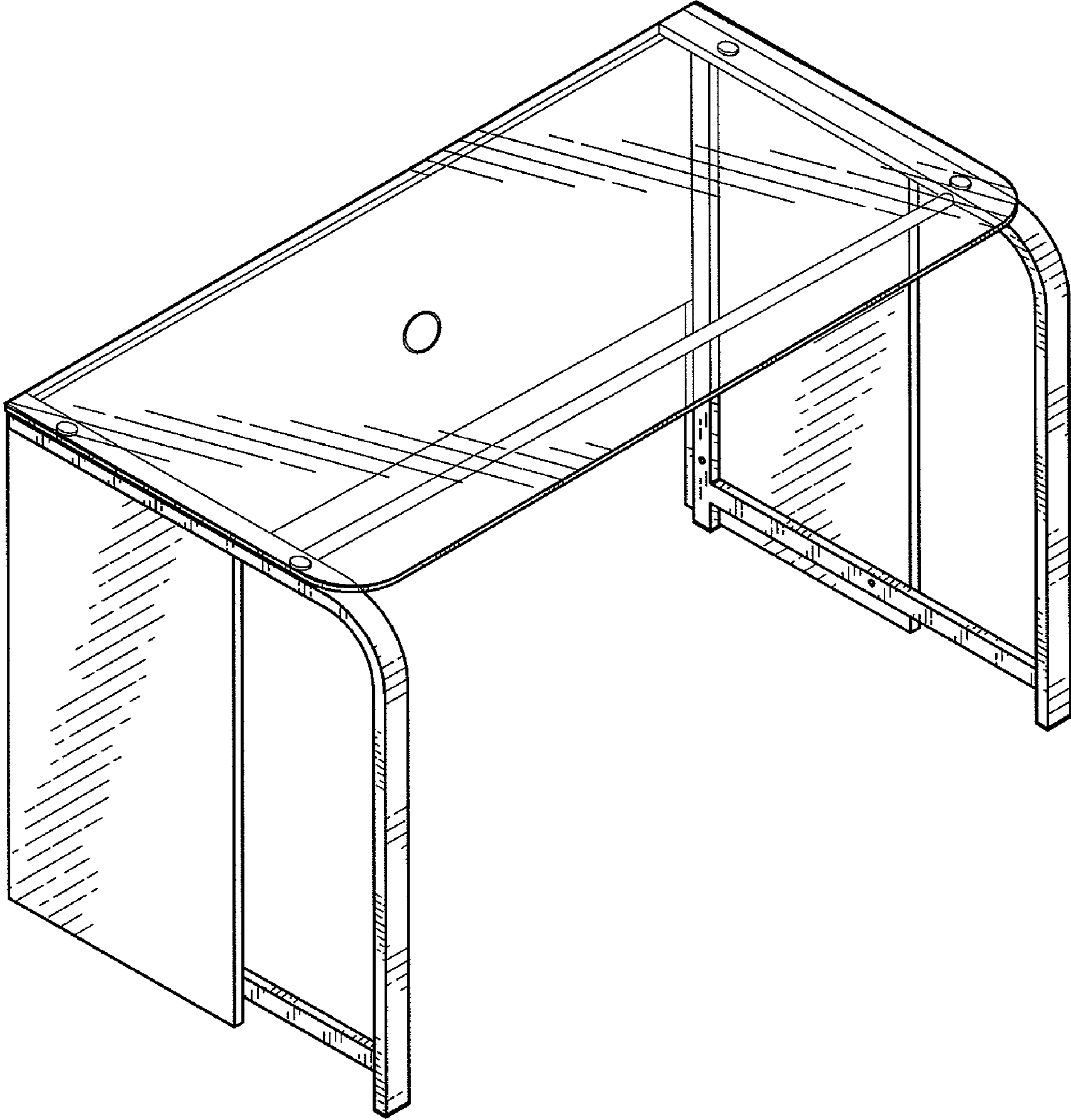


FIG. 1

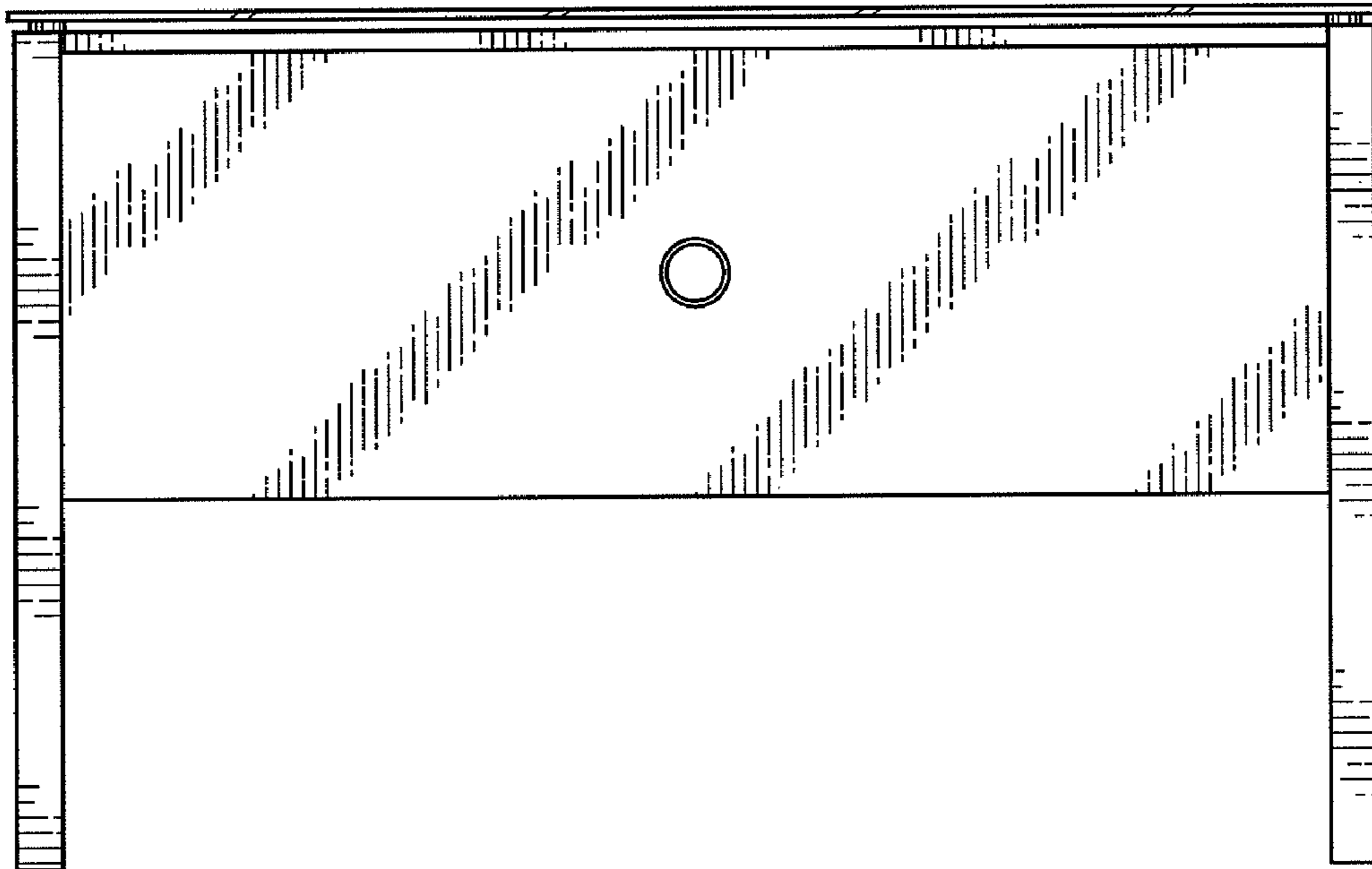


FIG. 2

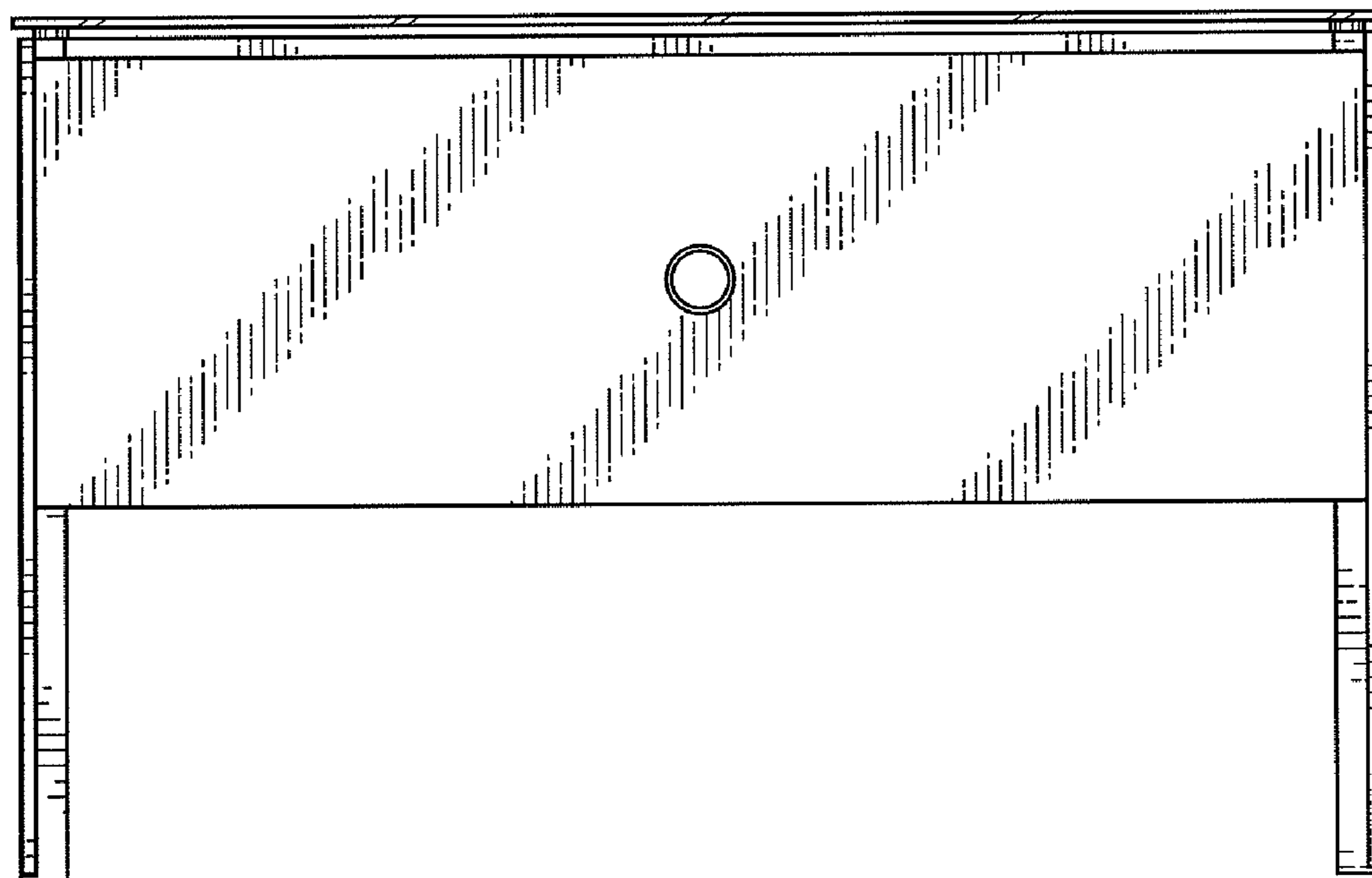


FIG. 3

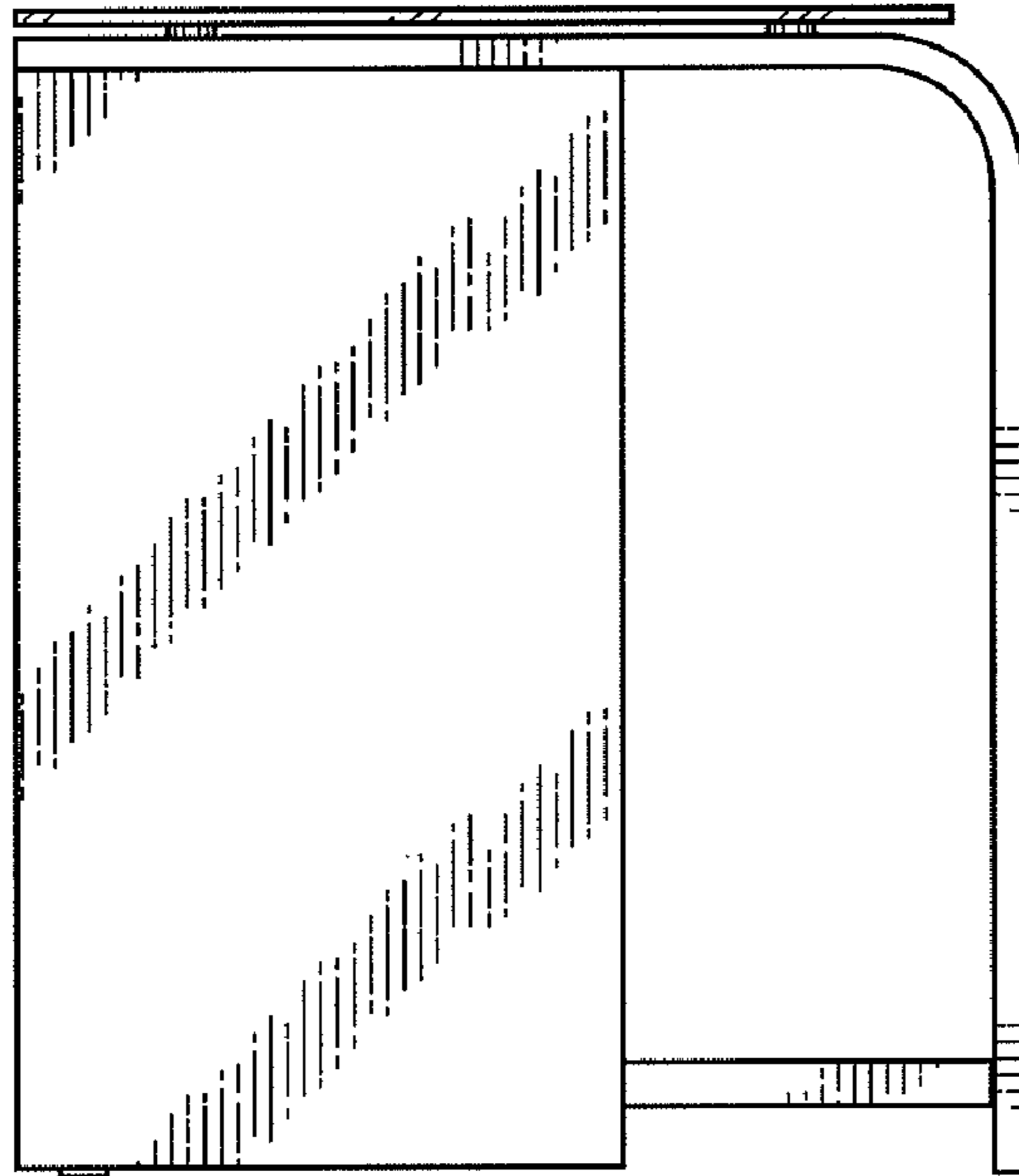


FIG. 4

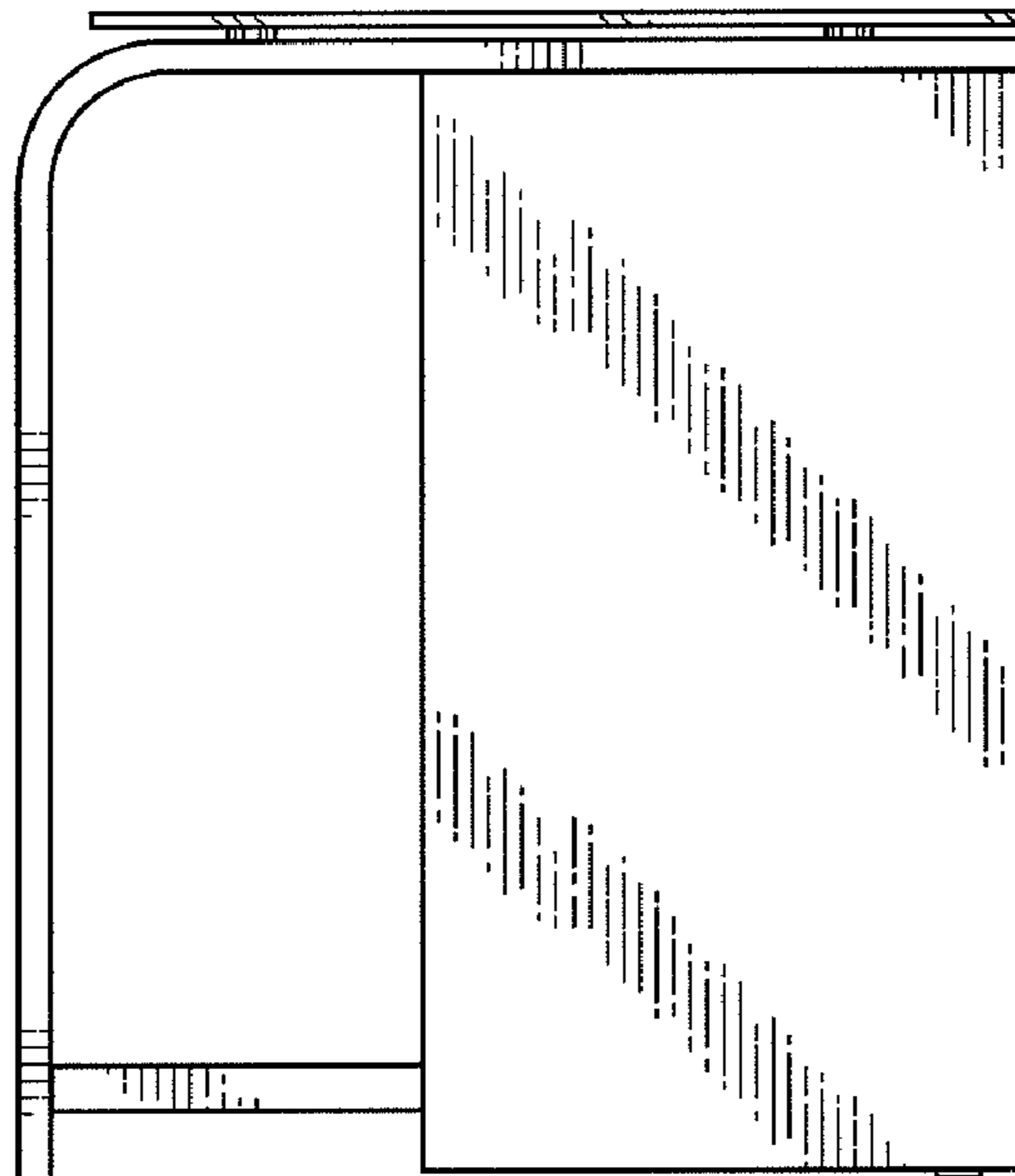


FIG. 5

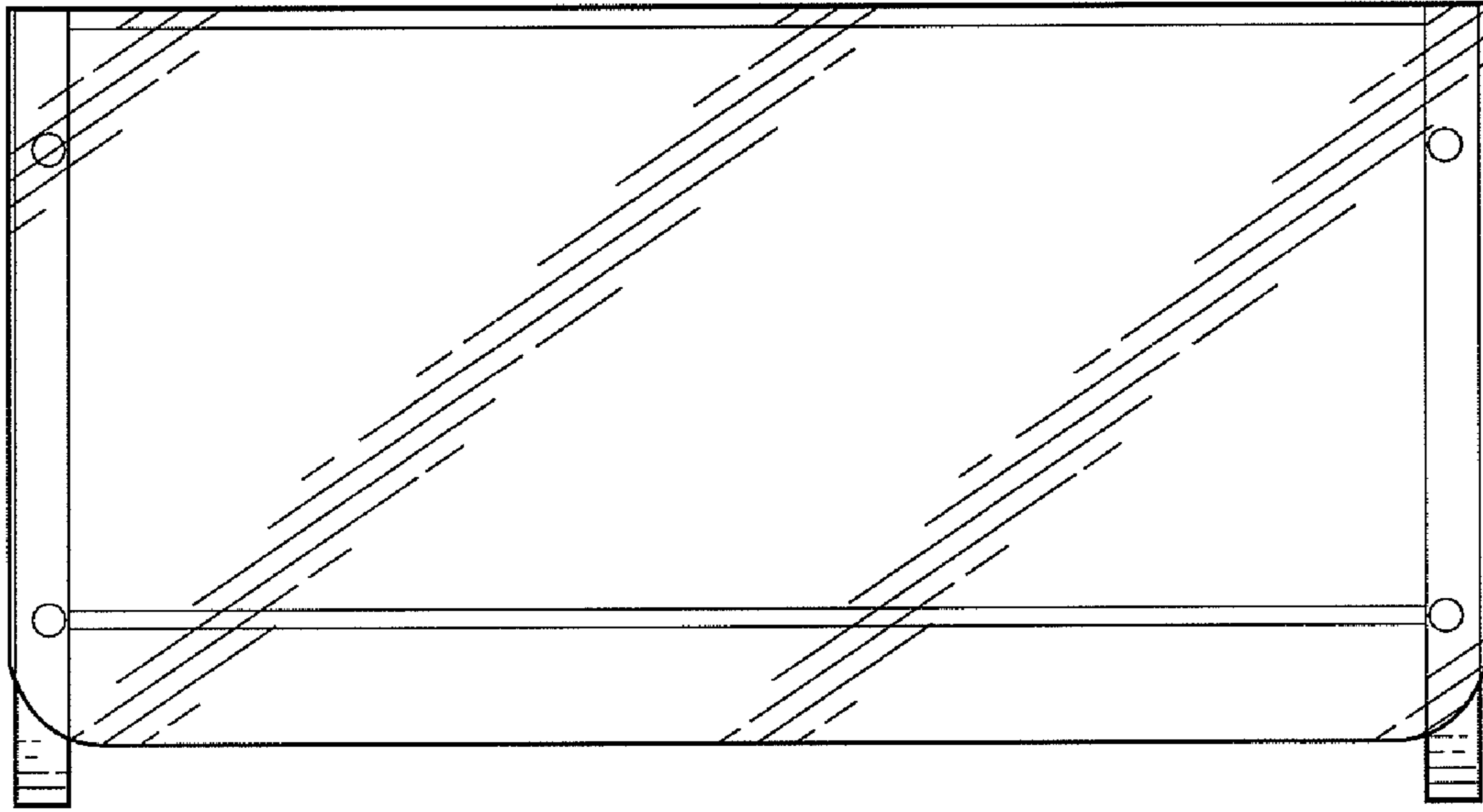


FIG. 6

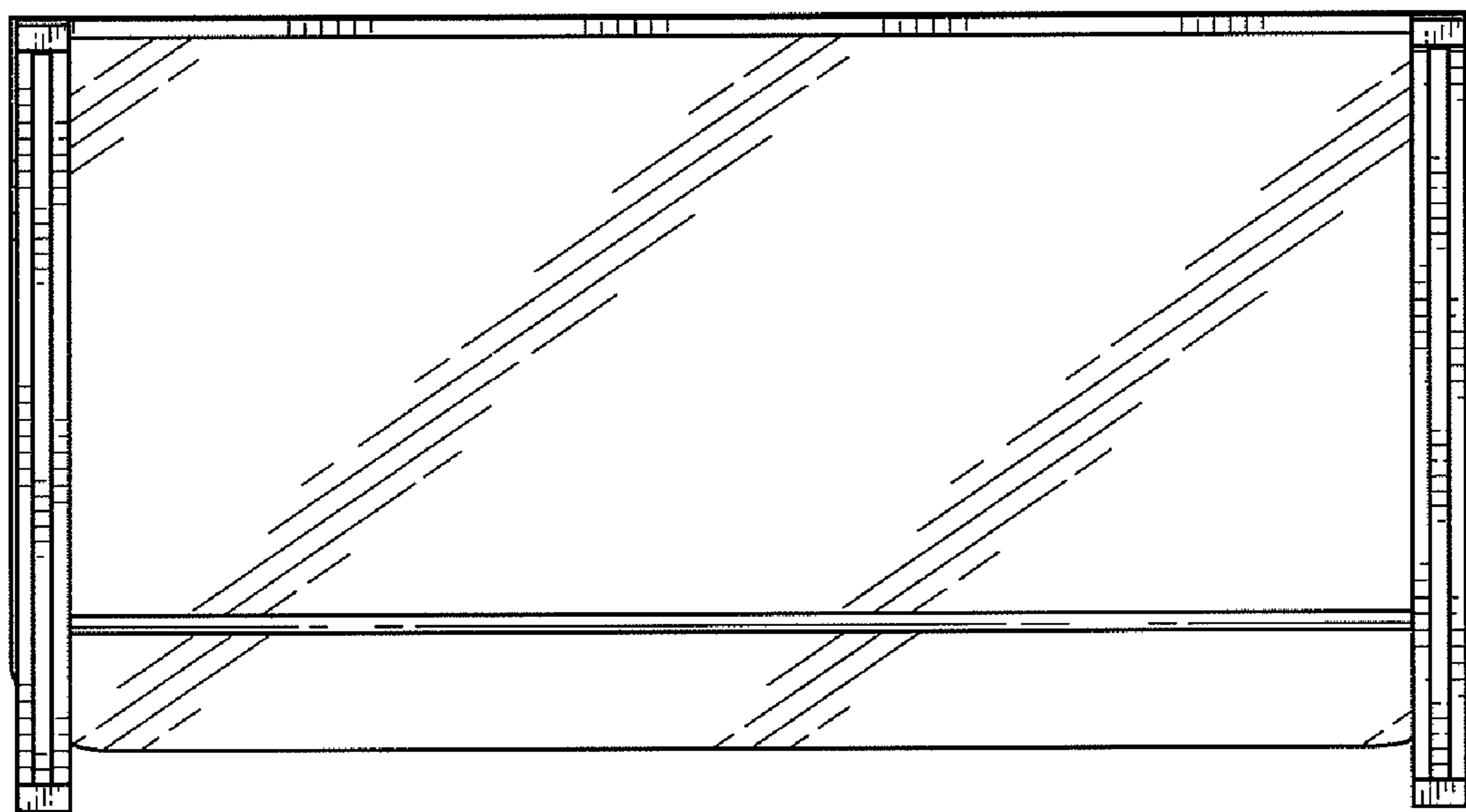


FIG. 7