



US00D618015S

(12) **United States Design Patent**
Sexton

(10) **Patent No.:** **US D618,015 S**
(45) **Date of Patent:** **** Jun. 22, 2010**

(54) **HYBRID MOUNT STAND**

(75) Inventor: **James S. Sexton**, San Ramon, CA (US)

(73) Assignee: **Z-Line Designs, Inc.**, San Ramon, CA (US)

(**) Term: **14 Years**

(21) Appl. No.: **29/345,304**

(22) Filed: **Oct. 13, 2009**

(51) **LOC (9) Cl.** **06-04**

(52) **U.S. Cl.** **D6/477**

(58) **Field of Classification Search** D6/474,
D6/477-479; 108/59, 91-92, 96; 211/40,
211/41.12, 42, 49.1, 50, 85.2, 90.04; 206/307
See application file for complete search history.

(56) **References Cited**

U.S. PATENT DOCUMENTS

D474,047 S *	5/2003	Lara	D6/479
D495,163 S *	8/2004	Weatherly	D6/479
D497,060 S *	10/2004	Chang	D6/477
D506,329 S	6/2005	Sexton		
D507,900 S	8/2005	Sexton		
D508,801 S *	8/2005	Holst	D6/477
D531,837 S	11/2006	Sexton		
D537,658 S *	3/2007	Tung	D6/479
7,195,213 B2 *	3/2007	Weatherly	248/125.1
D539,565 S	4/2007	Sexton		
D539,566 S *	4/2007	Anderson	D6/474
D546,095 S	7/2007	Sexton		
D566,426 S *	4/2008	Stenhouse et al.	D6/474

D570,620 S *	6/2008	Ongor	D6/479
D576,427 S *	9/2008	Stebbens et al.	D6/477
D591,089 S	4/2009	Sexton		
D593,776 S	6/2009	Sexton		
D594,001 S	6/2009	Sexton		
D595,978 S *	7/2009	Portnoy et al.	D6/477

OTHER PUBLICATIONS

U.S. Appl. No. 29/329,764, filed Dec. 19, 2008, titled "*Flat Screen TV Console with Bent Kick Back Legs*", Inventor: James S. Sexton.

* cited by examiner

Primary Examiner—Elizabeth A Albert

Assistant Examiner—Kelley A Donnelly

(74) *Attorney, Agent, or Firm*—Townsend and Townsend and Crew LLP

(57) **CLAIM**

The ornamental design for a hybrid mount stand, as shown and described.

DESCRIPTION

FIG. 1 is a perspective view of a hybrid mount stand showing my new design;

FIG. 2 is a front elevational view thereof;

FIG. 3 is a rear elevational view thereof;

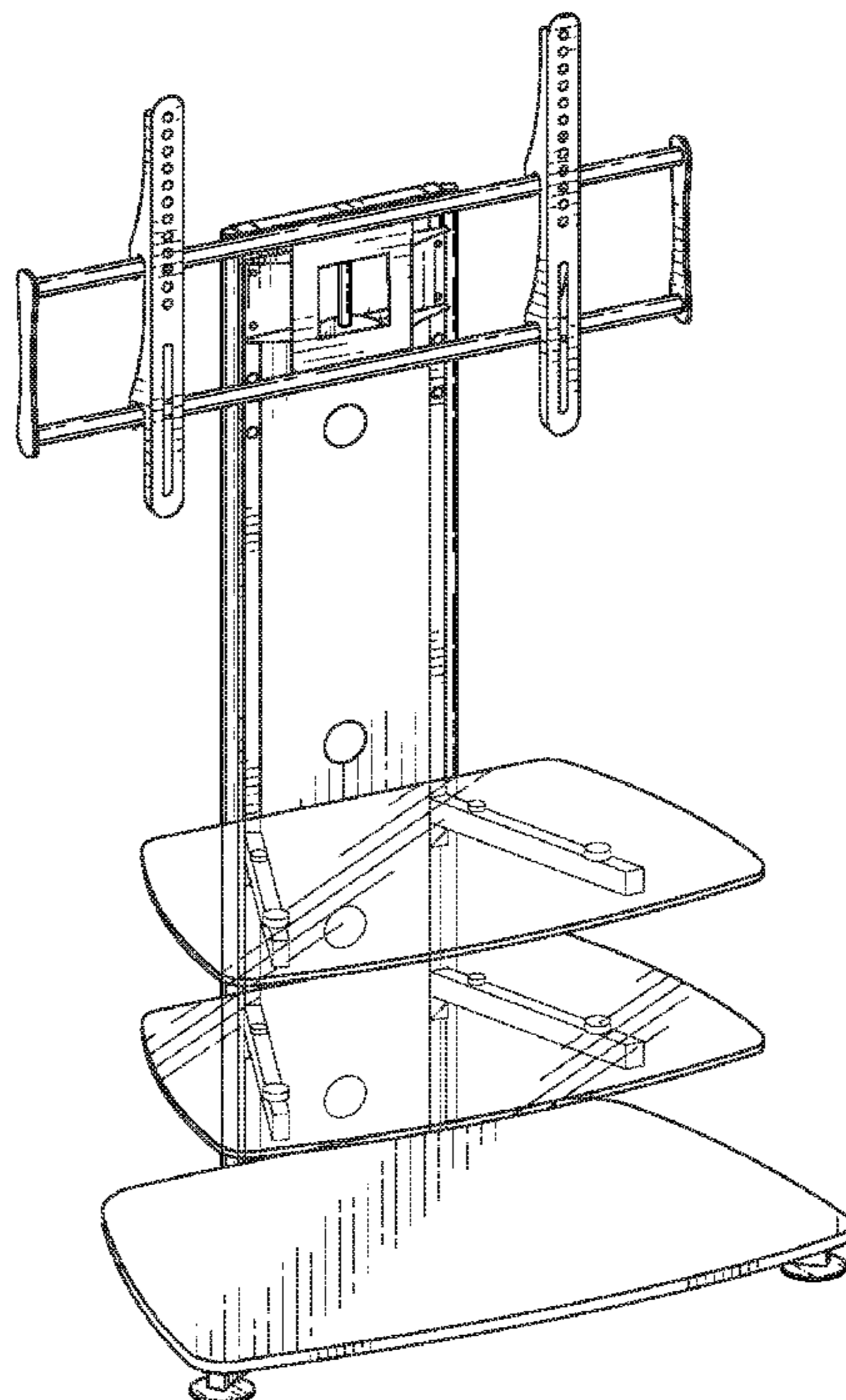
FIG. 4 is a right side elevational view thereof;

FIG. 5 is a left side elevational view thereof;

FIG. 6 is a top plan view thereof; and,

FIG. 7 is a bottom plan view thereof.

1 Claim, 5 Drawing Sheets



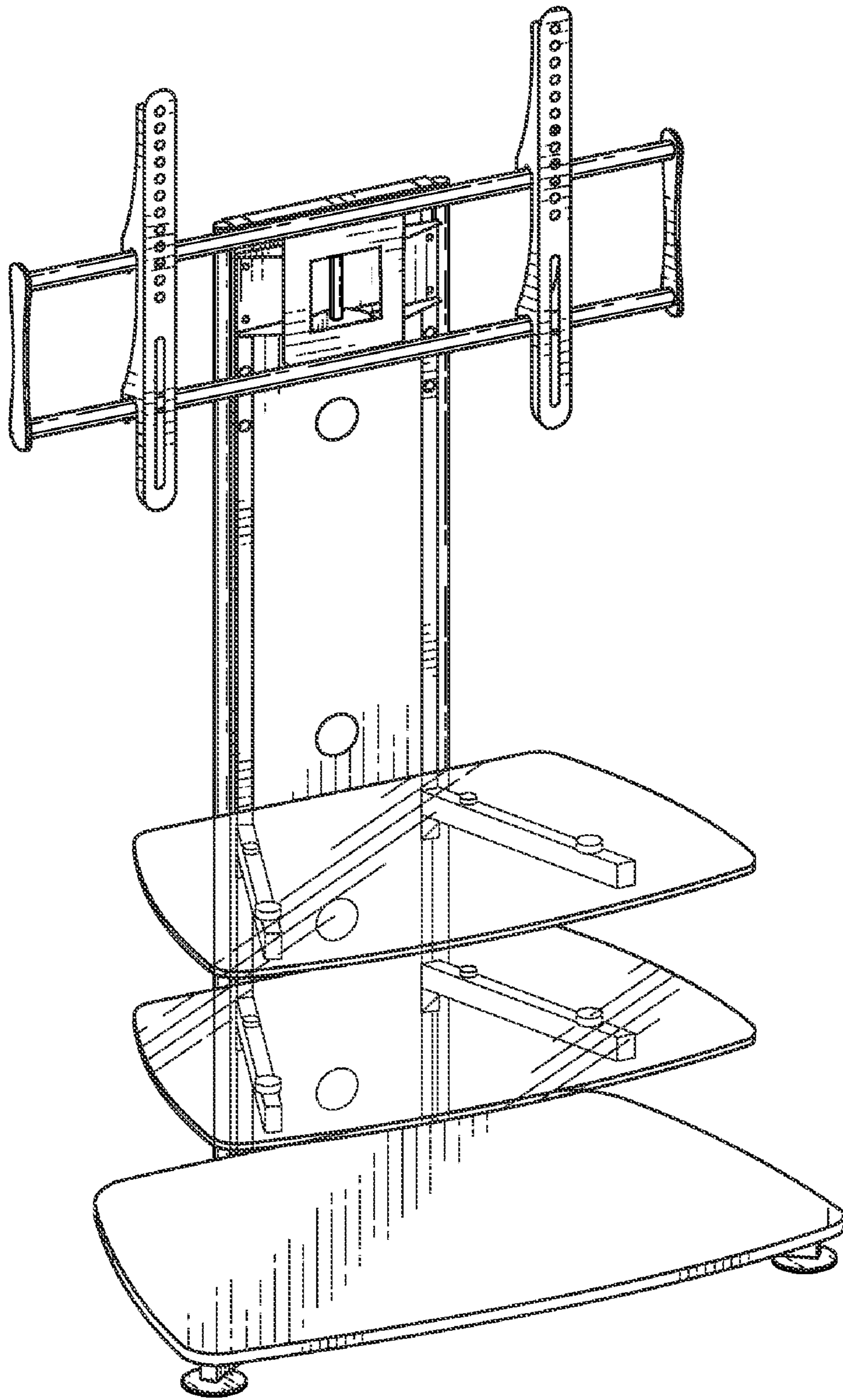


FIG. 1

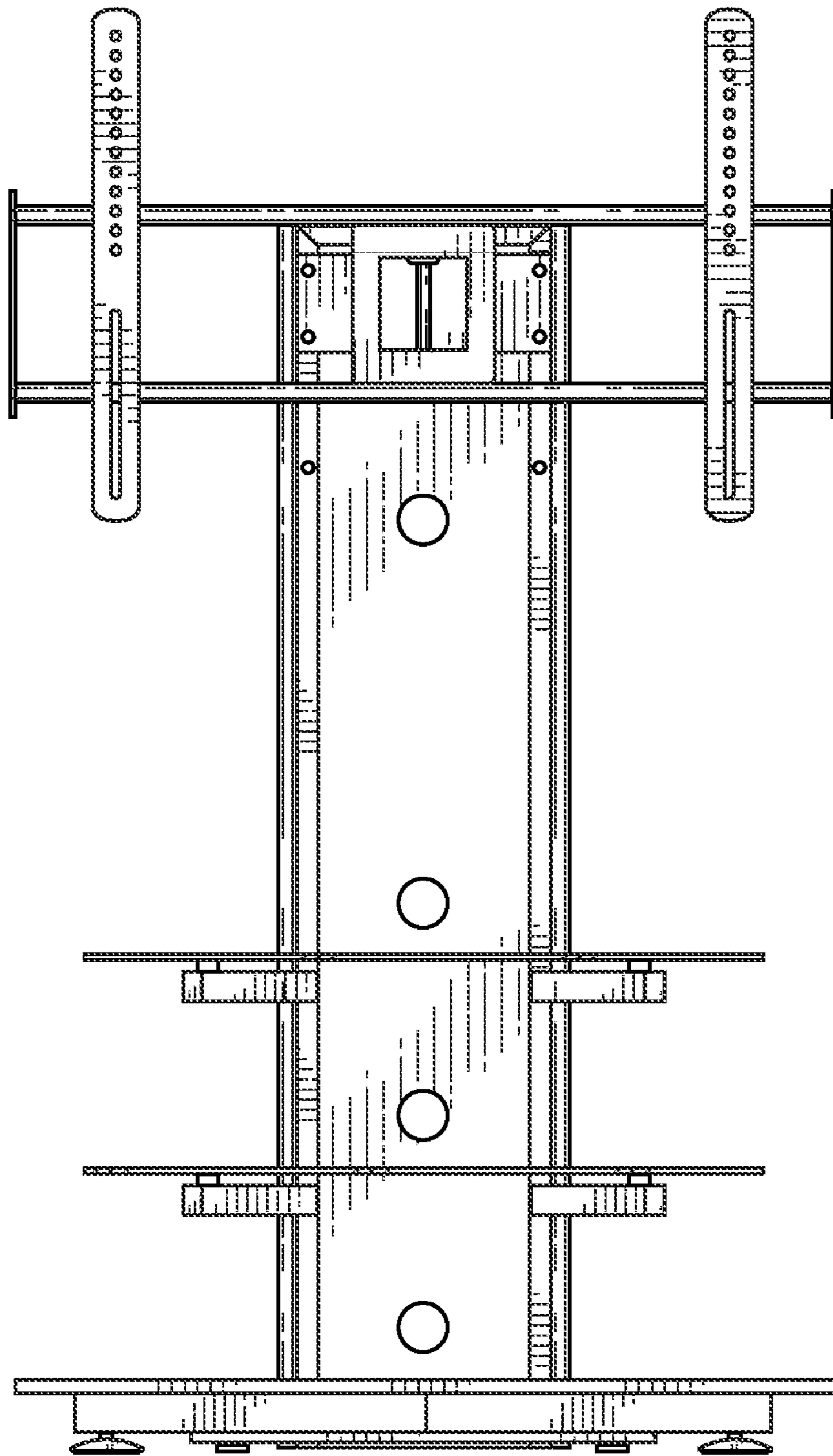


FIG. 2

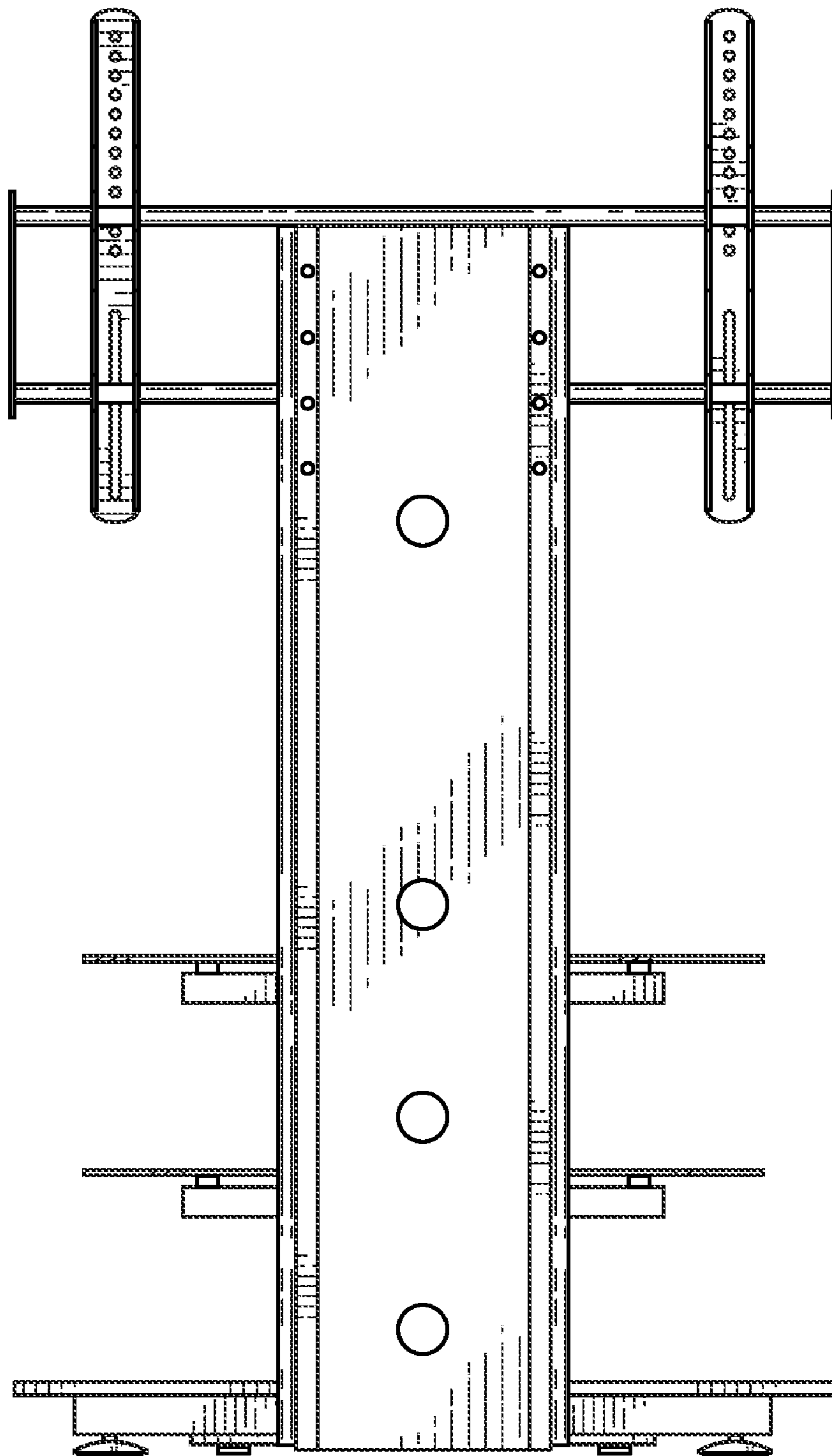


FIG. 3

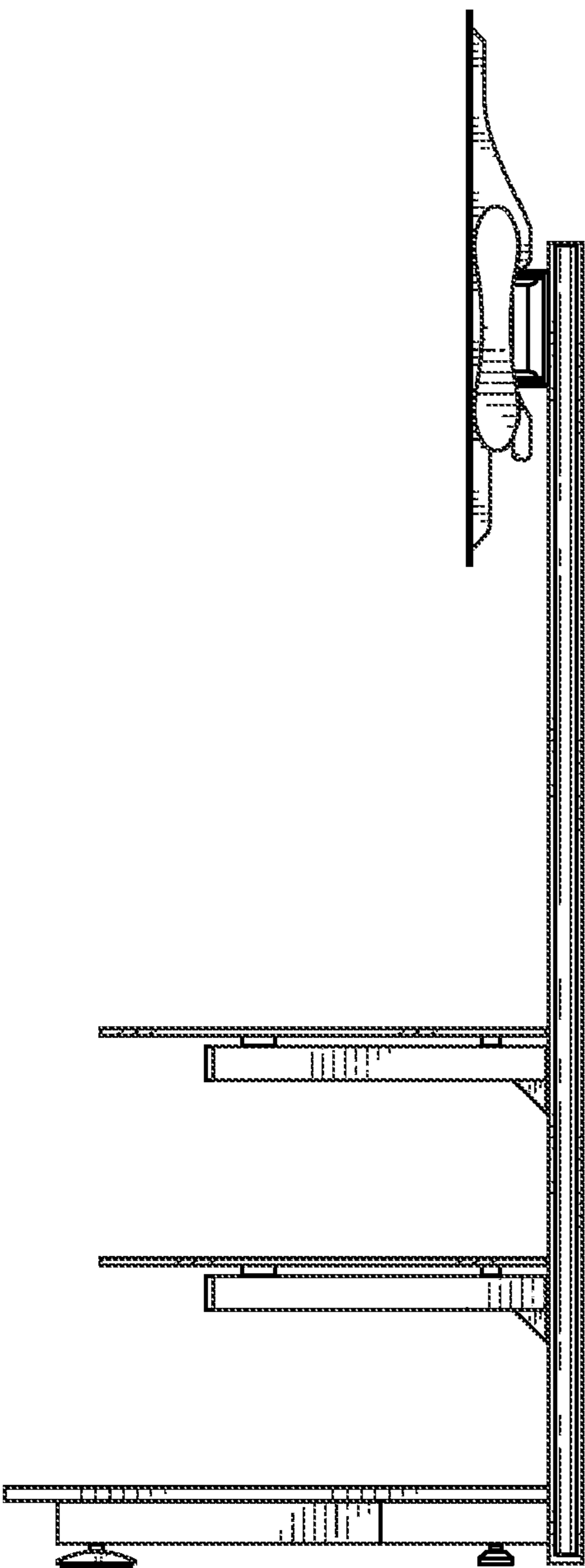


FIG. 4

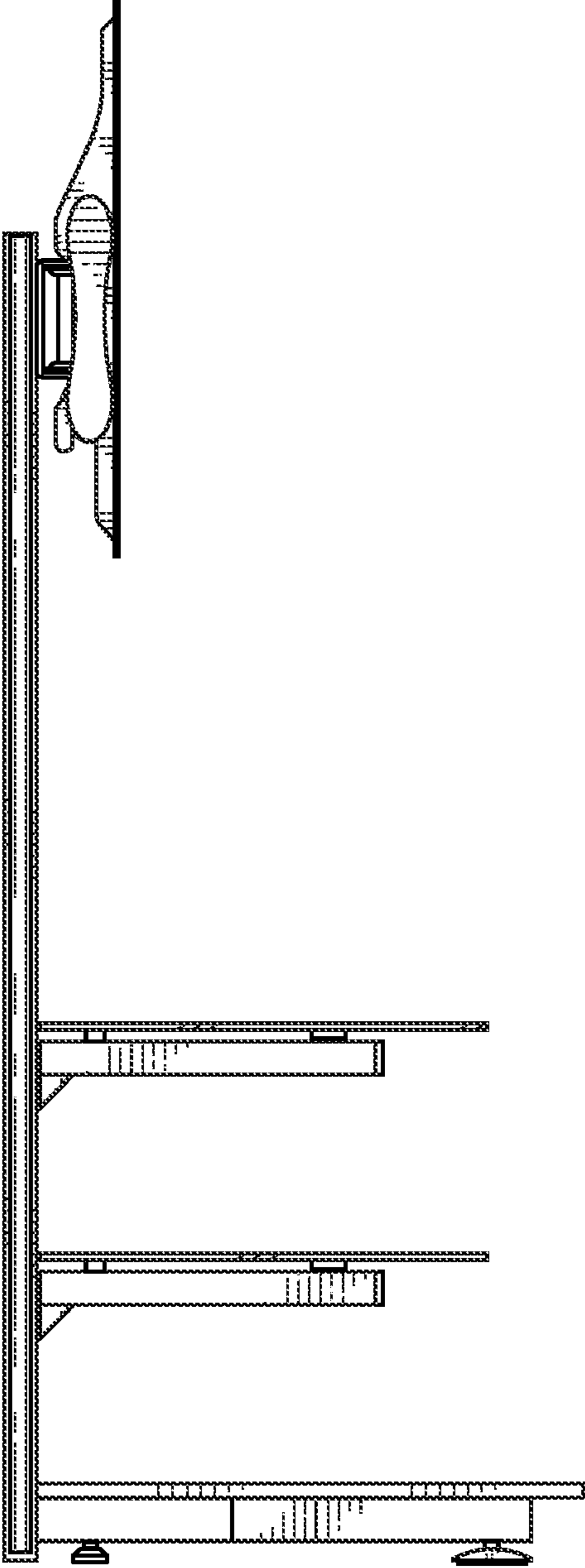


FIG. 5

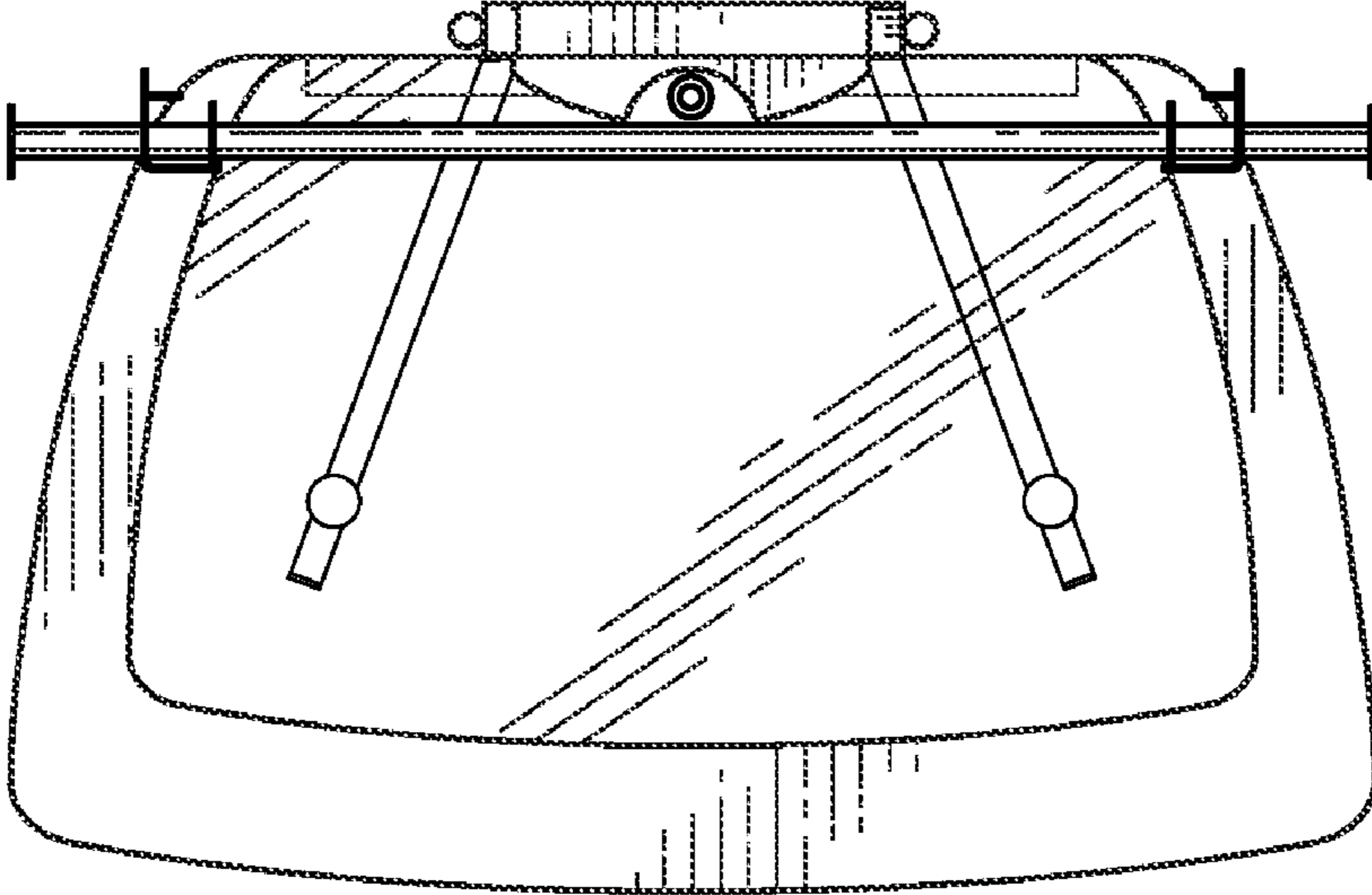


FIG. 6

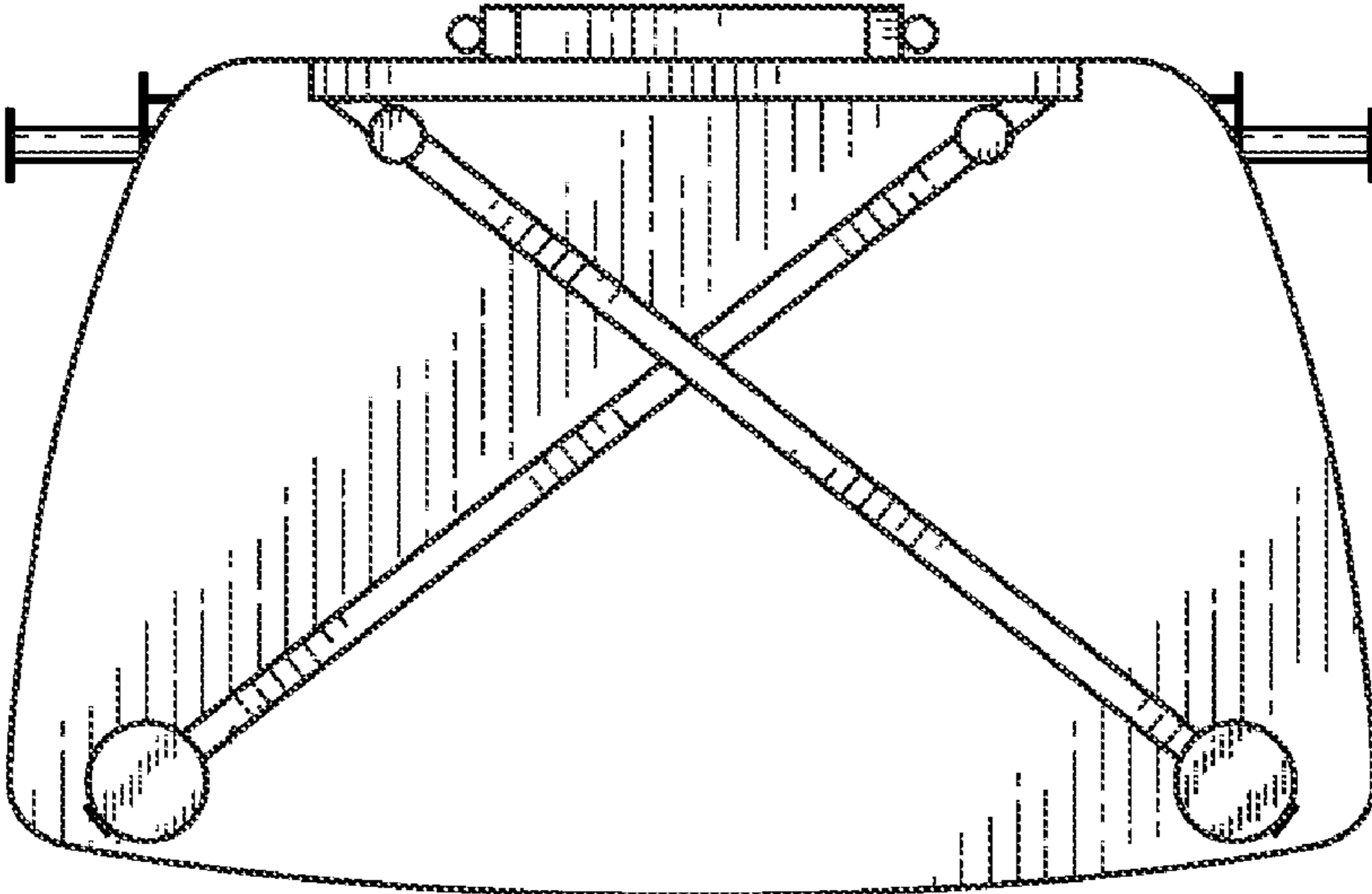


FIG. 7