



US00D618014S

(12) **United States Design Patent**
Min et al.

(10) **Patent No.:** **US D618,014 S**
(45) **Date of Patent:** **** Jun. 22, 2010**

- (54) **RETAIL DISPLAY ARTICLE**
- (75) Inventors: **Huilin Min**, New York, NY (US); **Marta Baéz Auffant**, New York, NY (US)
- (73) Assignee: **The Procter & Gamble Company**, Cincinnati, OH (US)
- (**) Term: **14 Years**
- (21) Appl. No.: **29/320,008**
- (22) Filed: **Jun. 18, 2008**
- (51) **LOC (9) Cl.** **06-04**
- (52) **U.S. Cl.** **D6/468**
- (58) **Field of Classification Search** D6/468,
D6/467, 396, 449, 512-514, 570, 315, 574,
D6/320, 548, 549, 566; 211/13.1, 34-39,
211/85.31, 113, 88.04

D471,746 S *	3/2003	Kollner	D6/513
6,659,294 B1	12/2003	Simard		
D486,684 S	2/2004	Hessell		
D507,137 S *	7/2005	Klein et al.	D6/514
D525,061 S *	7/2006	Abdi et al.	D6/514
D542,065 S *	5/2007	Snell	D6/514
D558,497 S *	1/2008	Murphy et al.	D6/514
2002/0130098 A1	9/2002	Simard		
2004/0055514 A1	3/2004	De Land		
2006/0207950 A1	9/2006	Kiehnau		
2006/0273056 A1	12/2006	Smits		
2006/0283819 A1	12/2006	Larsen		
2007/0079735 A1	4/2007	Bobis		
2007/0209259 A1	9/2007	Pavlik		
2008/0121563 A1	5/2008	Polvere		

See application file for complete search history.

(56) **References Cited**

U.S. PATENT DOCUMENTS

4,991,724 A *	2/1991	Wei	211/88.04
D323,440 S	1/1992	Bustos		
5,322,024 A	6/1994	Avery		
5,439,123 A	8/1995	Nook		
5,477,971 A	12/1995	Howard		
D377,728 S *	2/1997	Klein et al.	D6/570
5,611,442 A	3/1997	Howard		
5,620,103 A	4/1997	Vlah		
5,660,287 A	8/1997	Tryon		
D398,468 S *	9/1998	Yemini	D6/548
D403,187 S *	12/1998	Klein et al.	D6/513
5,921,190 A	7/1999	Wood		
5,938,048 A	8/1999	Carroll		
6,142,317 A	11/2000	Merl		
6,168,032 B1	1/2001	Merl		
6,378,727 B1	4/2002	Dupuis		
D465,684 S *	11/2002	Rindy et al.	D6/513
D471,389 S *	3/2003	Kollner	D6/513
D471,745 S *	3/2003	Kollner	D6/513

FOREIGN PATENT DOCUMENTS

EP	145672 A1	10/2001
EP	1481619 A1	12/2004
WO	WO2000024297 A1	5/2000

* cited by examiner

Primary Examiner—Philip S Hyder

Assistant Examiner—Sydney R Buffalow

(74) *Attorney, Agent, or Firm*—Eric T. Addington; John Howell; S. Robert Chuey

(57) **CLAIM**

The ornamental design for a retail display article, as shown and described.

DESCRIPTION

FIG. 1 is a perspective view of a retail display article.

FIG. 2 is a front elevation view thereof.

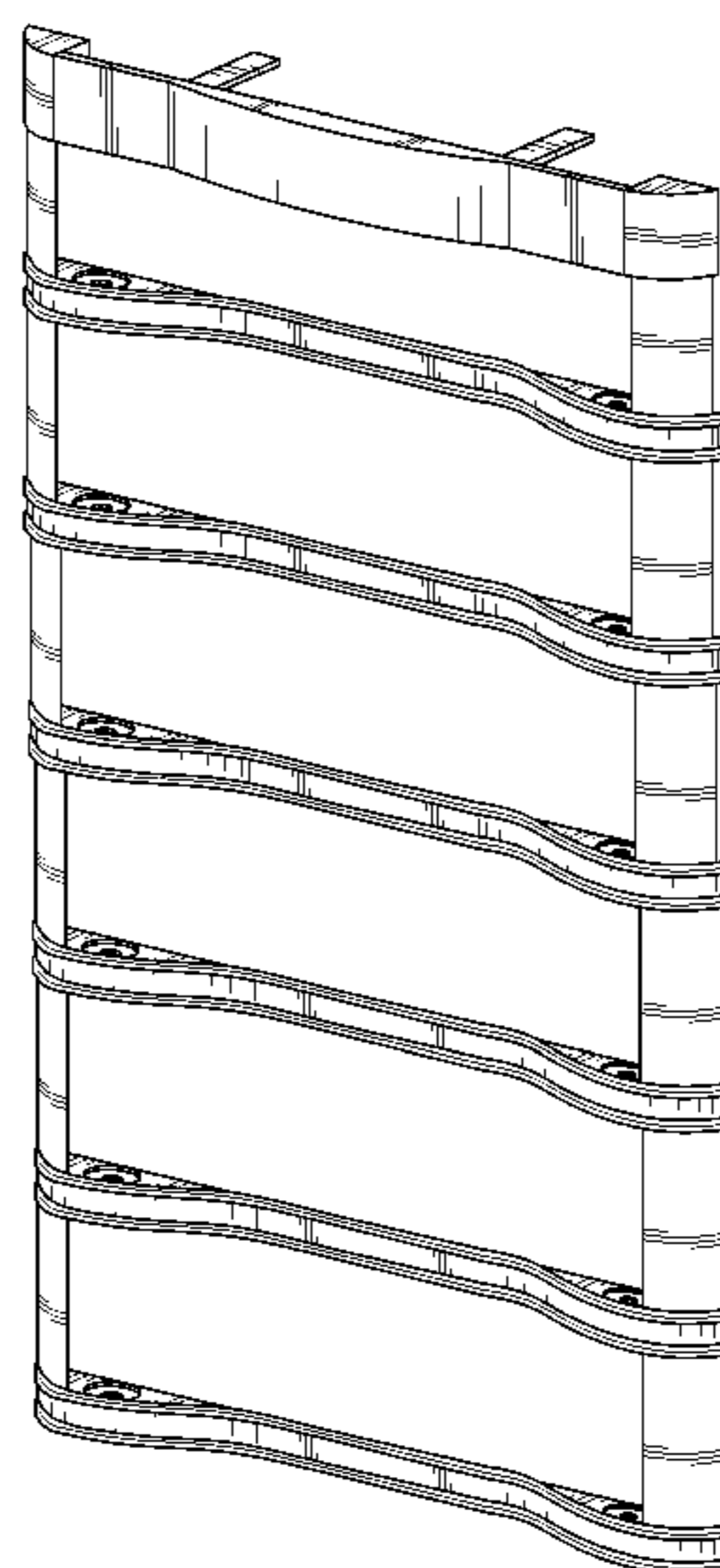
FIG. 3 is a left side elevation view thereof.

FIG. 4 is a right side elevation view thereof.

FIG. 5 is a top view thereof; and,

FIG. 6 is a bottom view.

1 Claim, 4 Drawing Sheets



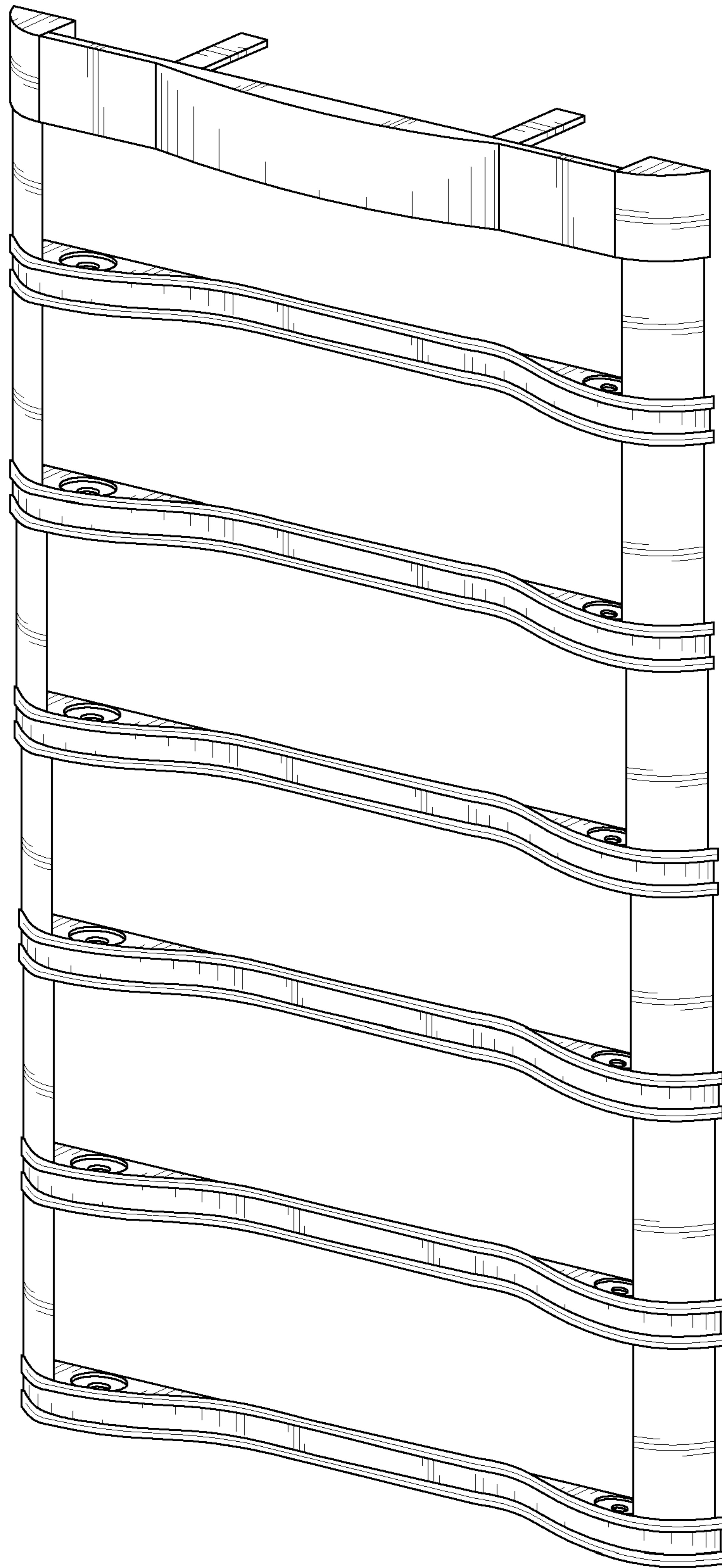


FIG. 1

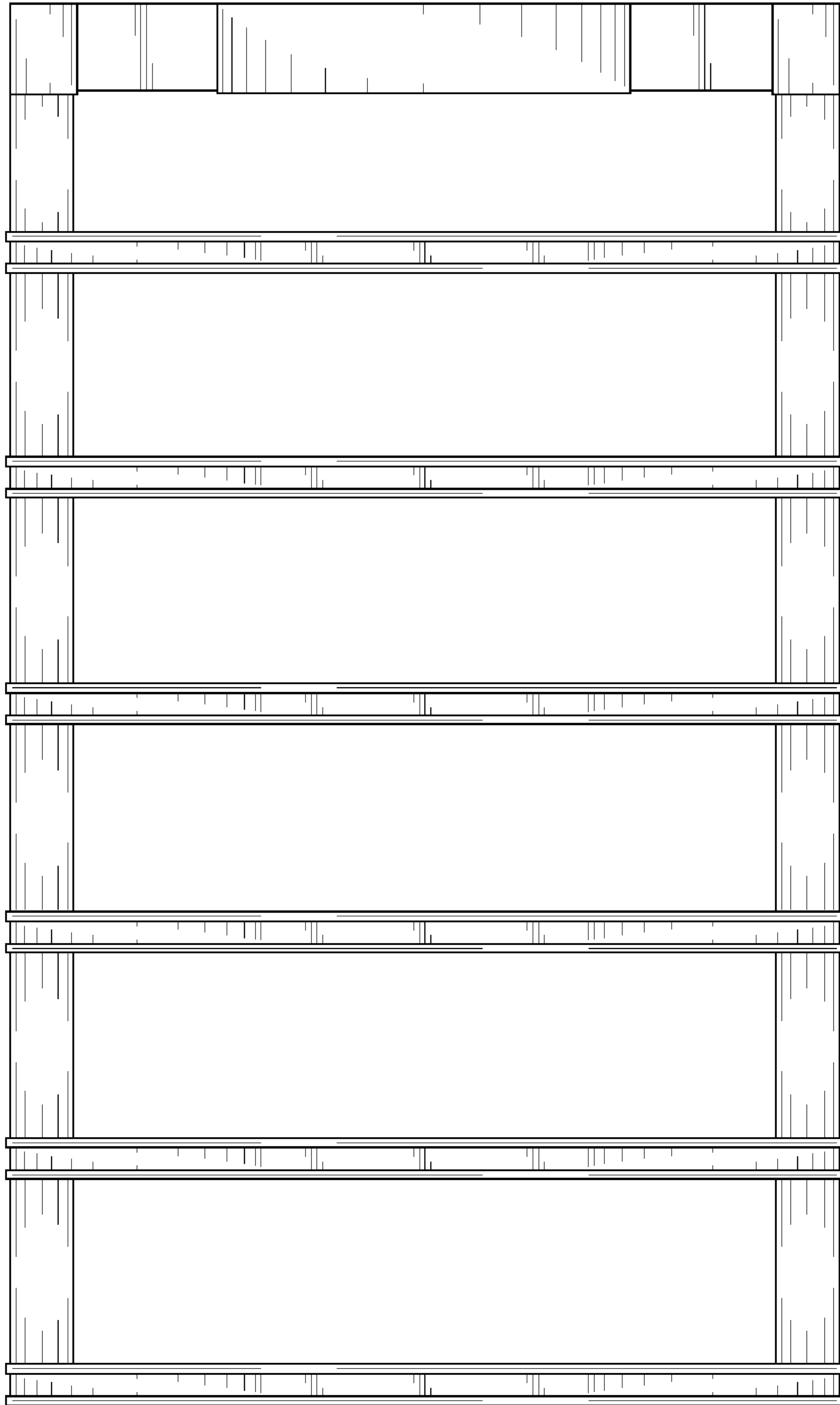


FIG. 2

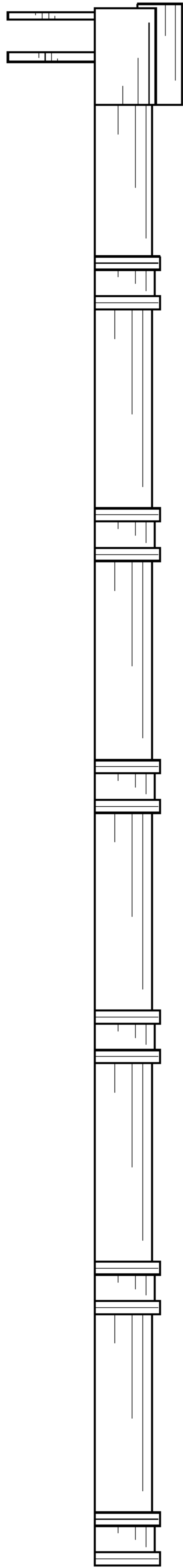


FIG. 3

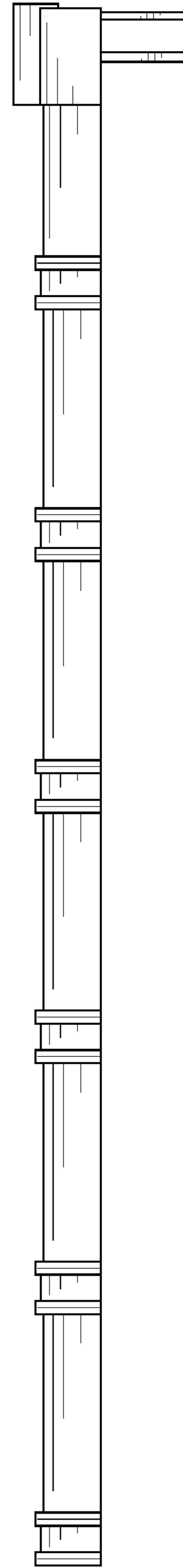


FIG. 4

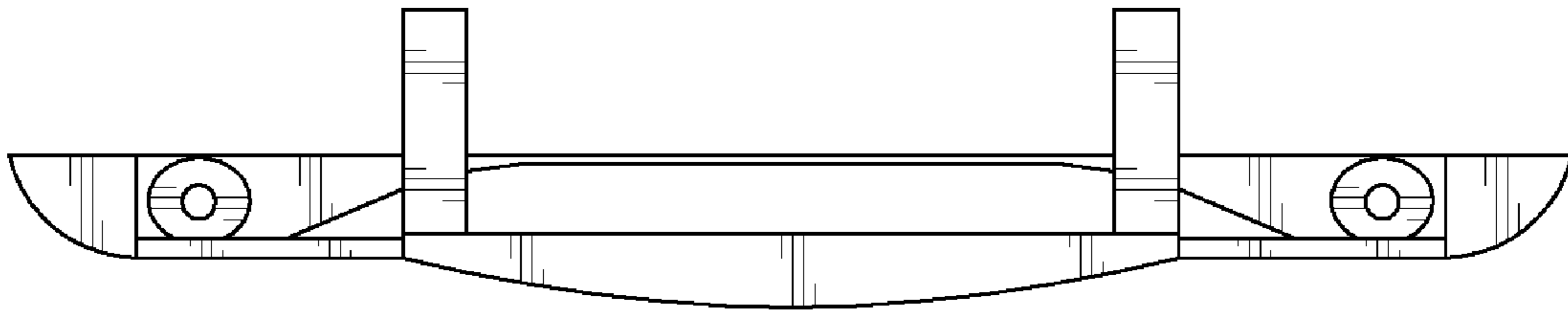


FIG. 5

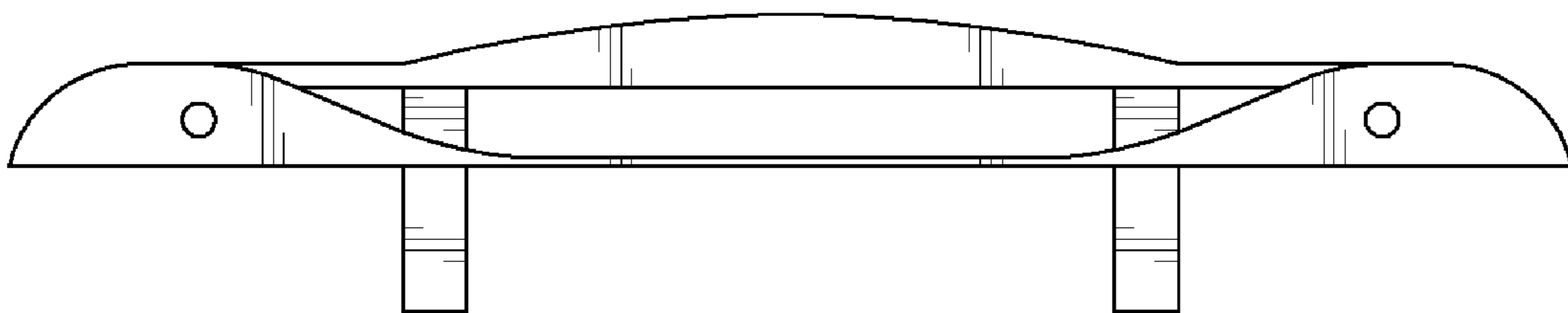


FIG. 6