



US00D618013S

(12) **United States Design Patent**
Corral

(10) **Patent No.:** **US D618,013 S**
(45) **Date of Patent:** **** Jun. 22, 2010**

(54) **BRIDLE RACKS AND BLINKER HOLDERS
USED TO HOLD HORSE EQUIPMENT**

(76) Inventor: **James Robert Corral**, 11702 Rancho Verde Dr., Whittier, CA (US) 90601

(**) Term: **14 Years**

(21) Appl. No.: **29/341,710**

(22) Filed: **Aug. 11, 2009**

(51) **LOC (9) Cl.** **06-04**

(52) **U.S. Cl.** **D6/450; D30/143**

(58) **Field of Classification Search** D6/396,
D6/449, 450, 466, 467, 457, 316, 320, 323;
D30/136, 143, 135; 211/85.1, 106, 13.1,
211/85.11

See application file for complete search history.

(56) **References Cited**

U.S. PATENT DOCUMENTS

- D25,613 S * 6/1896 Donahey D30/143
- D45,272 S 2/1914 Sebring
- D134,955 S 2/1943 Greenberg
- D152,112 S 12/1948 McGowen
- D172,111 S 5/1954 Schwarz
- D174,952 S * 6/1955 Gould D6/316
- D178,971 S 10/1956 Pasquarella
- D187,580 S 4/1960 Holden
- D217,468 S 5/1970 Haurilak
- D217,724 S * 6/1970 Pearce D30/143
- D224,866 S * 10/1972 Hammer D6/316
- D229,377 S 11/1973 Johnson
- D230,037 S * 1/1974 Hawn D30/143
- D232,178 S 7/1974 McDaniel
- D240,365 S 6/1976 Bennett
- D257,199 S 10/1980 Hoke
- 4,421,238 A * 12/1983 Patton 211/85.11
- D276,391 S * 11/1984 Ringler D6/320
- D337,071 S 7/1993 Hogue

- D359,012 S 6/1995 Gross
- D378,799 S 4/1997 Erickson
- D393,603 S 4/1998 Cerisano
- D402,699 S 12/1998 Calhoon
- D474,106 S 5/2003 Week
- D494,500 S 8/2004 Brown
- D557,629 S 12/2007 Maes
- D565,999 S 4/2008 Bartlett

OTHER PUBLICATIONS

Brass Horseshoe hook, www.smartpakequine.com, item #11619.*

* cited by examiner

Primary Examiner—Philip S Hyder

Assistant Examiner—Sydney R Buffalow

(74) *Attorney, Agent, or Firm*—QuickPatents, Inc.; Kevin Prince

(57) **CLAIM**

I claim the ornamental design for a bridle rack and blinker holder used to hold horse equipment, as shown and described.

DESCRIPTION

FIG. 1 is a perspective view of a bridle rack and blinker holder used to hold horse equipment, showing my new design;

FIG. 2 is a front elevational view thereof;

FIG. 3 is a rear elevational view thereof;

FIG. 4 is a top plan view thereof;

FIG. 5 is a bottom plan view thereof;

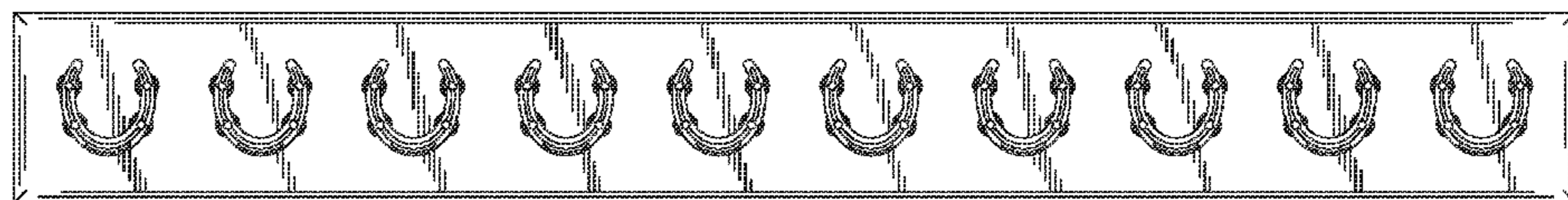
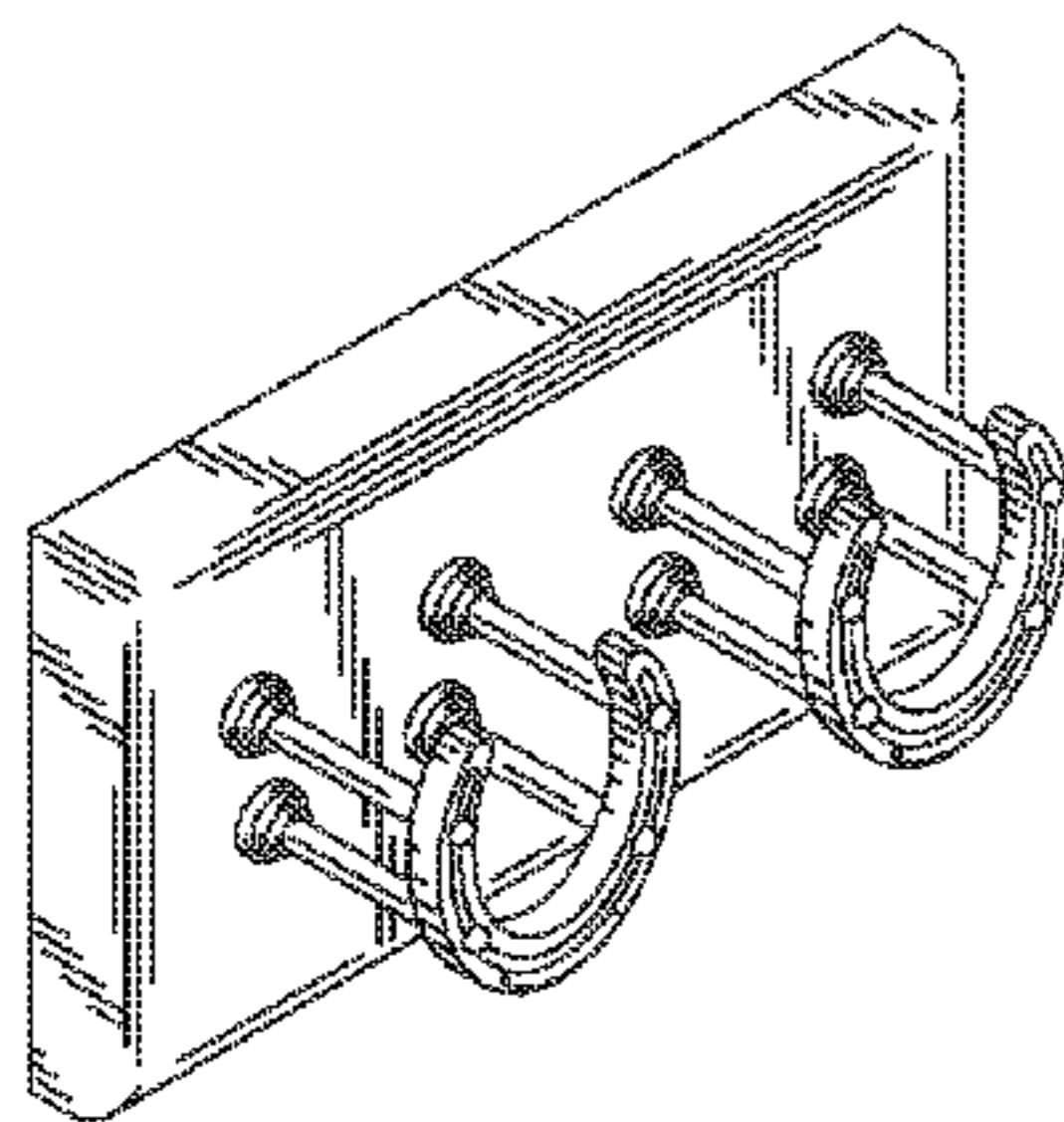
FIG. 6 is a left-side elevational view thereof, the right-side elevational view being a mirror image thereof;

FIG. 7 is a front elevational view of a second embodiment thereof;

FIG. 8 is a top plan view of FIG. 7 thereof; and,

FIG. 9 is a bottom plan view of FIG. 7.

1 Claim, 2 Drawing Sheets



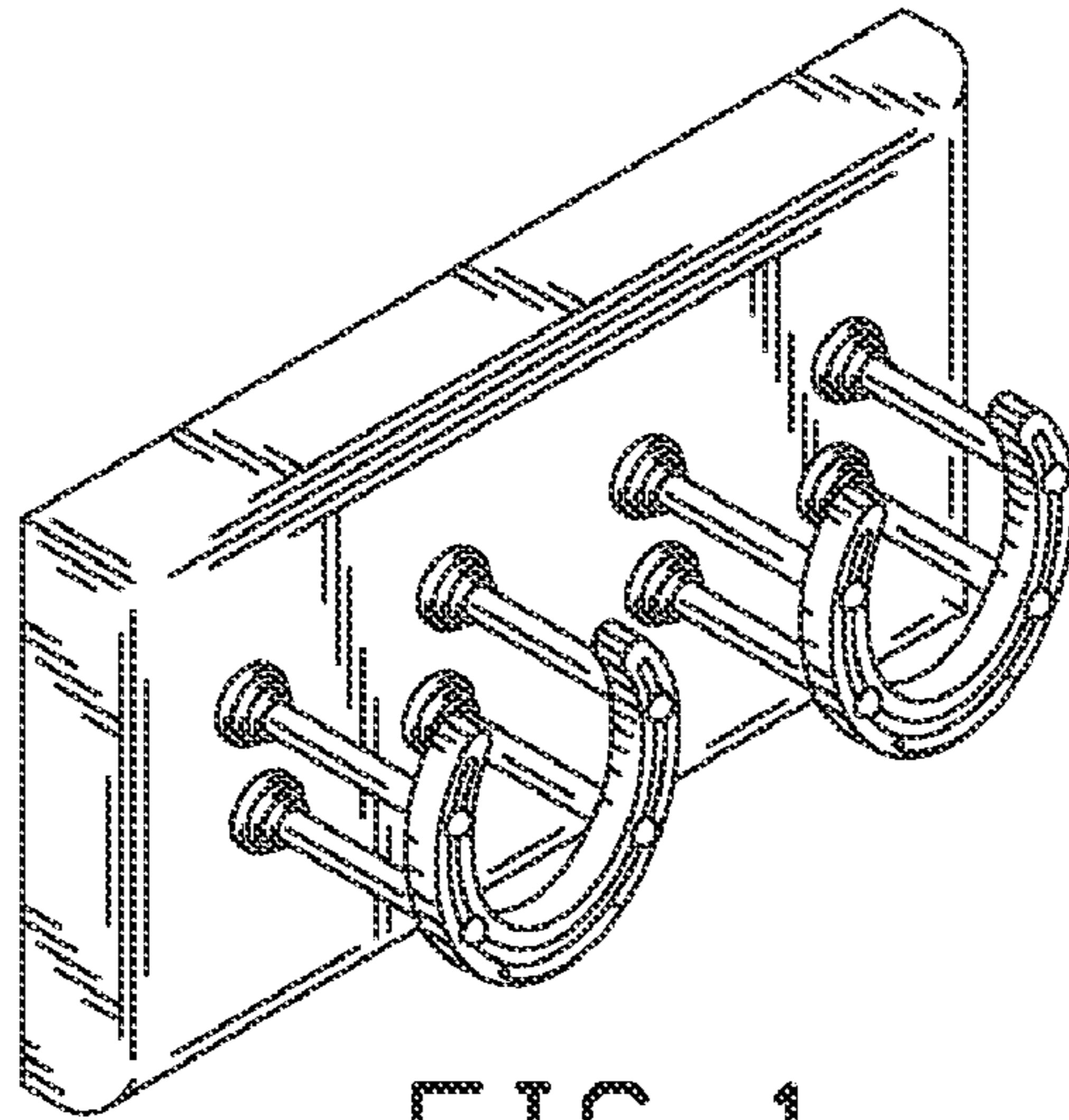


FIG. 1

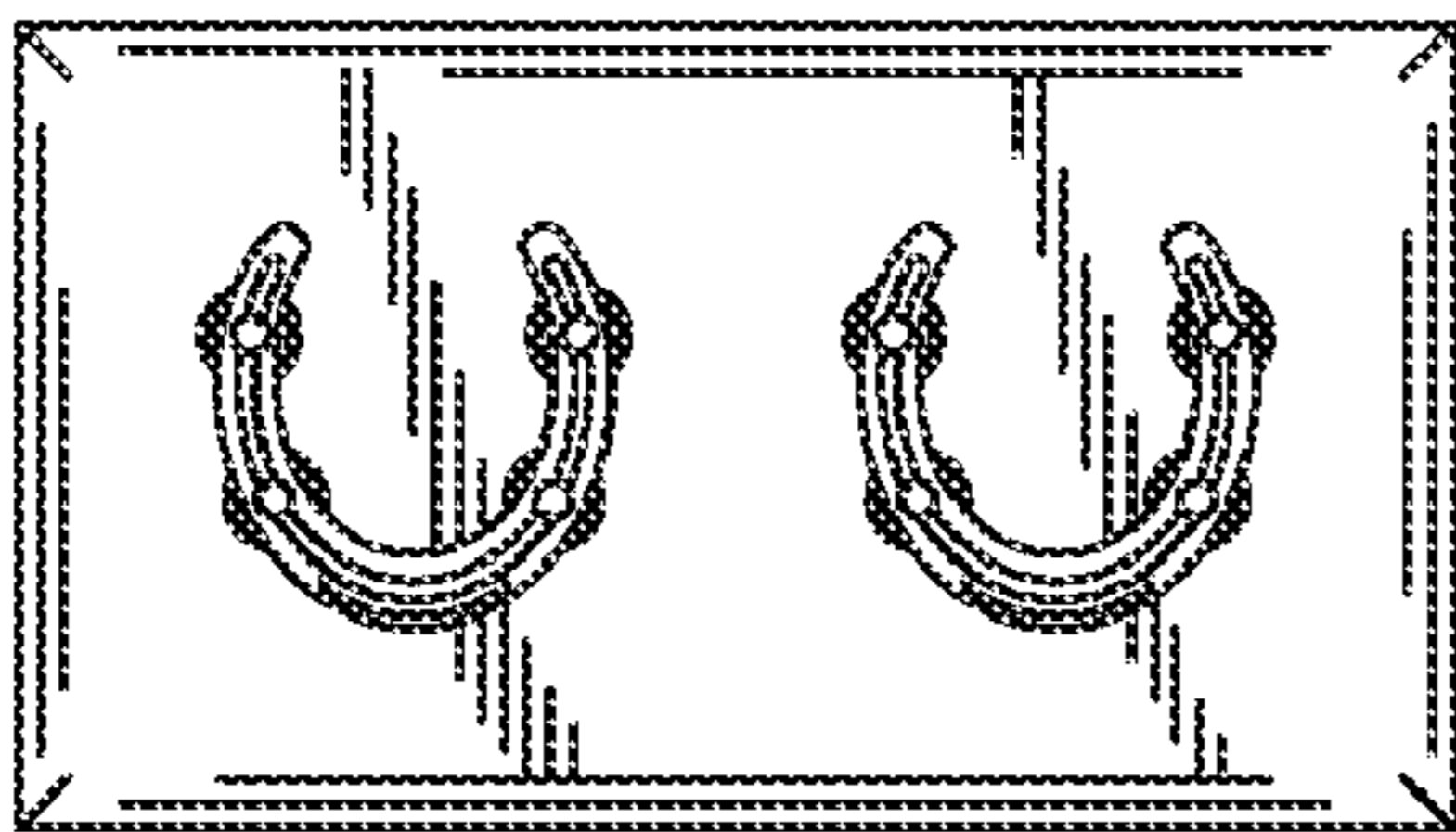


FIG. 2

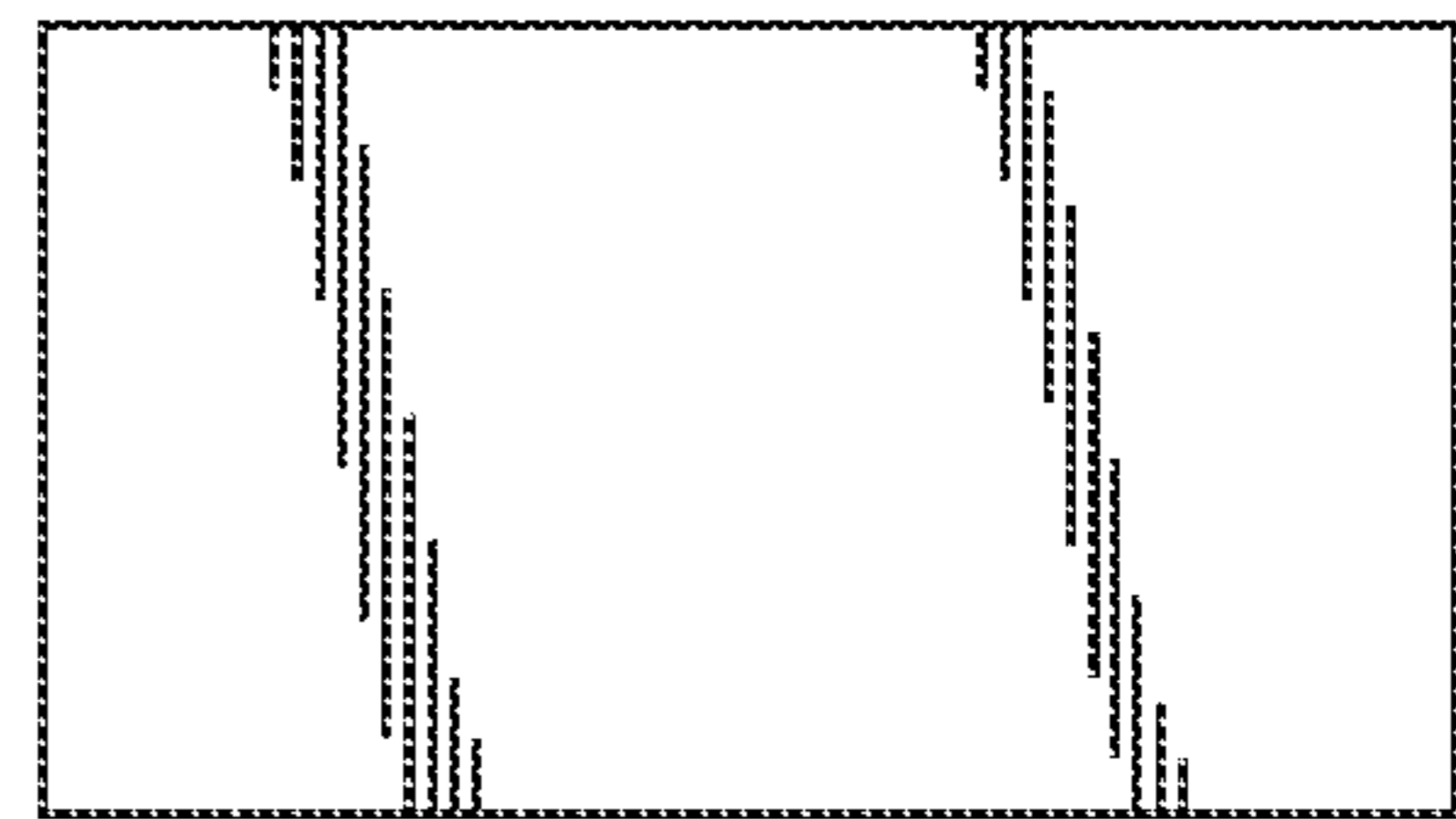


FIG. 3

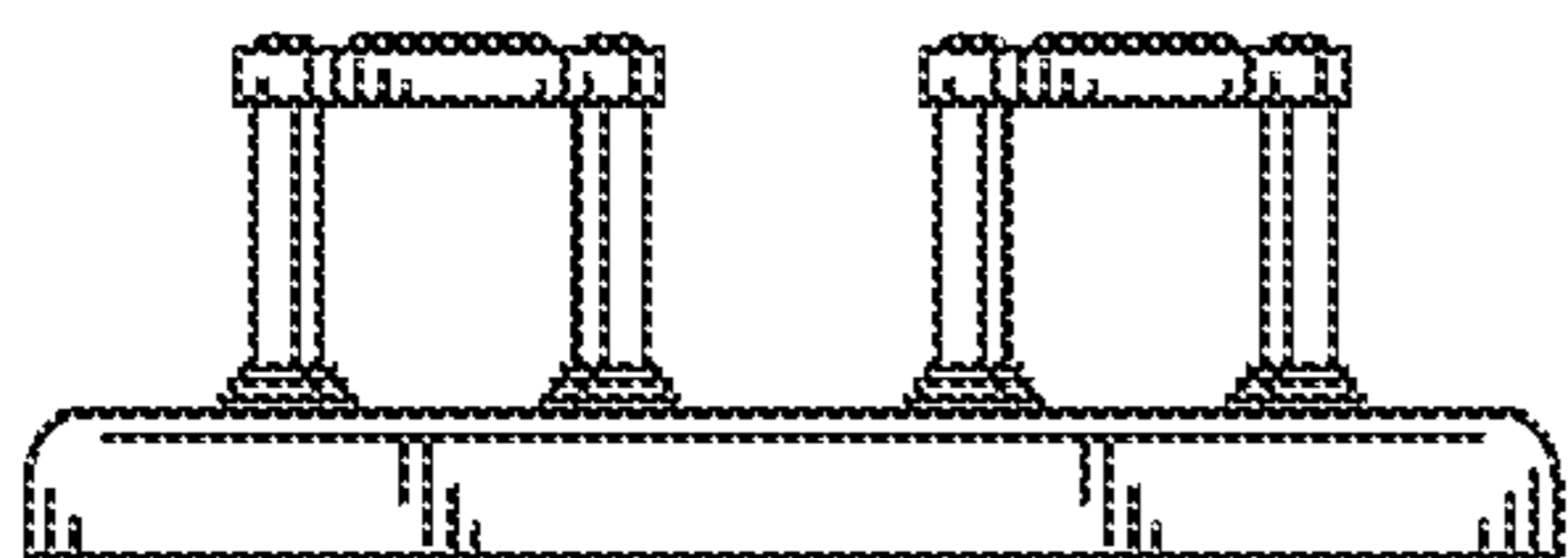


FIG. 4

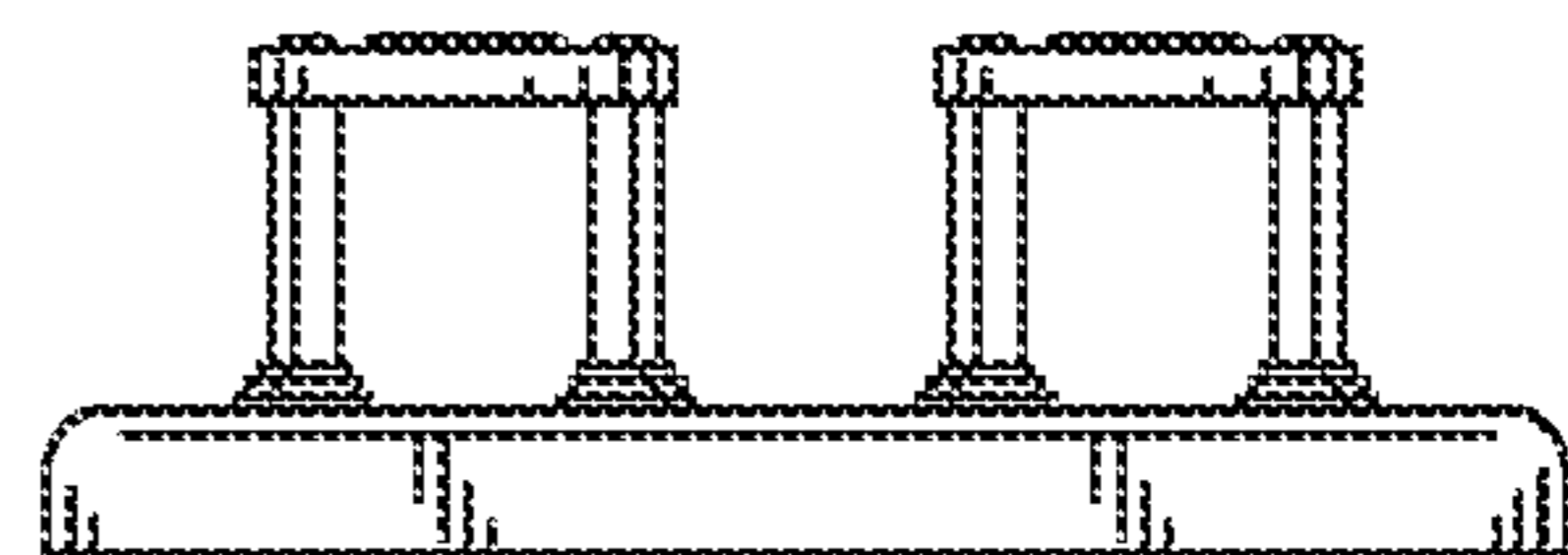


FIG. 5

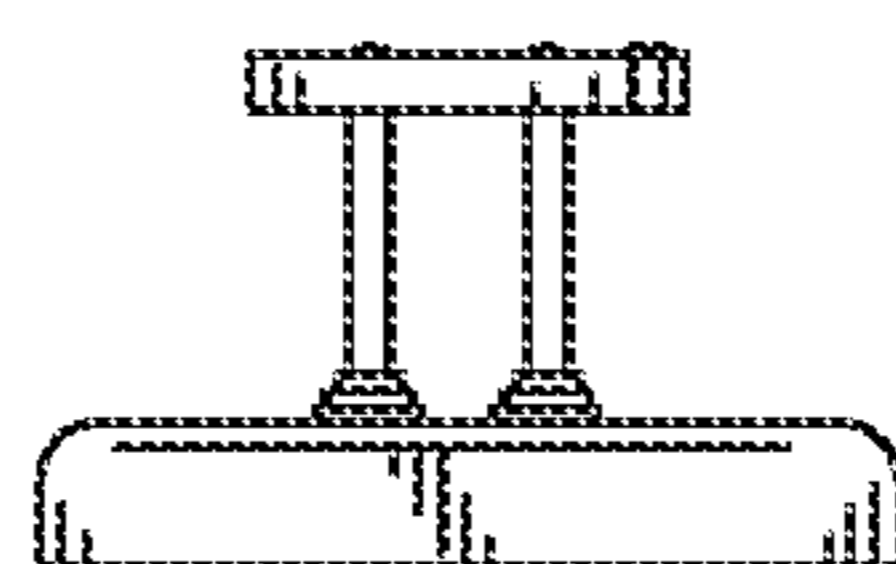


FIG. 6

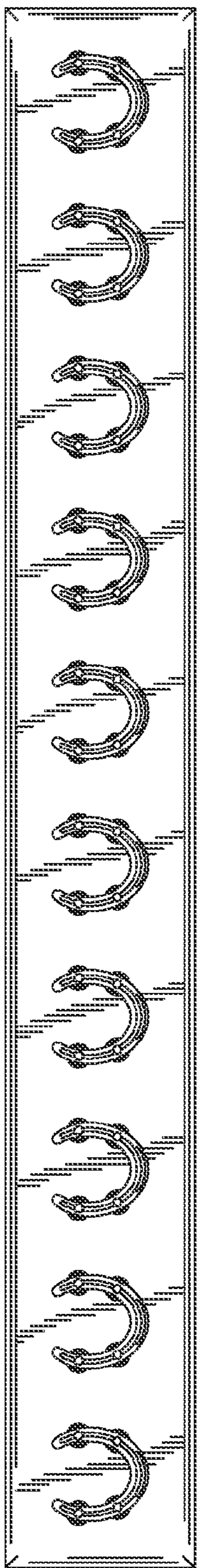


FIG. 7

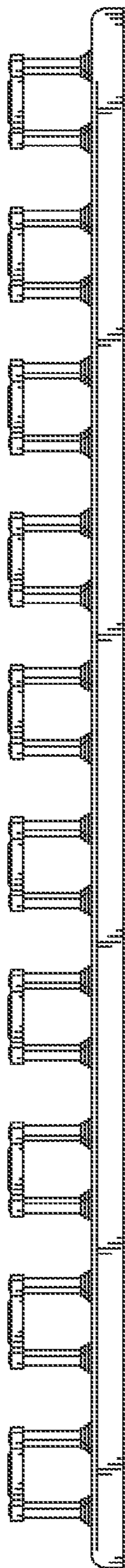


FIG. 8

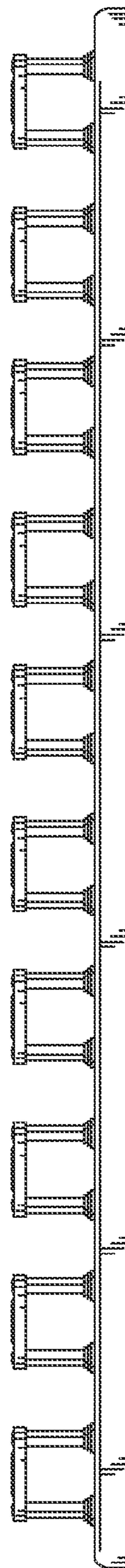


FIG. 9