



US00D618012S

(12) **United States Design Patent**
Erne et al.

(10) **Patent No.:** **US D618,012 S**
(45) **Date of Patent:** **** Jun. 22, 2010**

(54) **PORTABLE AND COLLAPSIBLE TABLE**
(76) Inventors: **Dale Erne**, 958 Rumson Rd., Rochester,
NY (US) 14616; **Lisa Erne**, 958
Rumson Rd., Rochester, NY (US) 14616

D345,472 S * 3/1994 Sheftel D6/429
D360,174 S * 7/1995 Kjell et al. D12/130
D385,233 S * 10/1997 Doyle et al. D12/130
D572,632 S * 7/2008 Willis D12/130
2007/0089649 A1 * 4/2007 Chen et al. 108/118

(**) Term: **14 Years**

* cited by examiner

(21) Appl. No.: **29/340,532**

Primary Examiner—Janice E Seeger
(74) *Attorney, Agent, or Firm*—Dale J. Ream

(22) Filed: **Jul. 21, 2009**

(57) **CLAIM**

(51) **LOC (9) Cl.** **06-03**
(52) **U.S. Cl.** **D6/429; D6/480**
(58) **Field of Classification Search** D6/480–489,
D6/511, 495–499, 429–431; 108/150, 152,
108/153.1, 157.1, 161, 25, 115, 118, 120;
248/188, 188.1, 188.7, 188.8; D12/130,
D12/133

The ornamental design for a portable and collapsible table, as shown and described.

See application file for complete search history.

DESCRIPTION

(56) **References Cited**

FIG. 1 is a perspective view of a portable and collapsible table showing my new design;
FIG. 2 is a front view thereof;
FIG. 3 is a back view thereof;
FIG. 4 is a right side view thereof;
FIG. 5 is a left side view thereof;
FIG. 6 is a top view thereof;
FIG. 7 is a bottom view thereof; and,
FIG. 8 is a collapse view thereof.

U.S. PATENT DOCUMENTS

2,986,438 A * 5/1961 Smathers et al. 108/116
3,827,708 A 8/1974 Derry
D250,238 S * 11/1978 Minsky D6/429
D326,972 S * 6/1992 Kreps D6/511
5,154,441 A 10/1992 White et al.
5,170,720 A * 12/1992 Scheurer 108/44

1 Claim, 7 Drawing Sheets

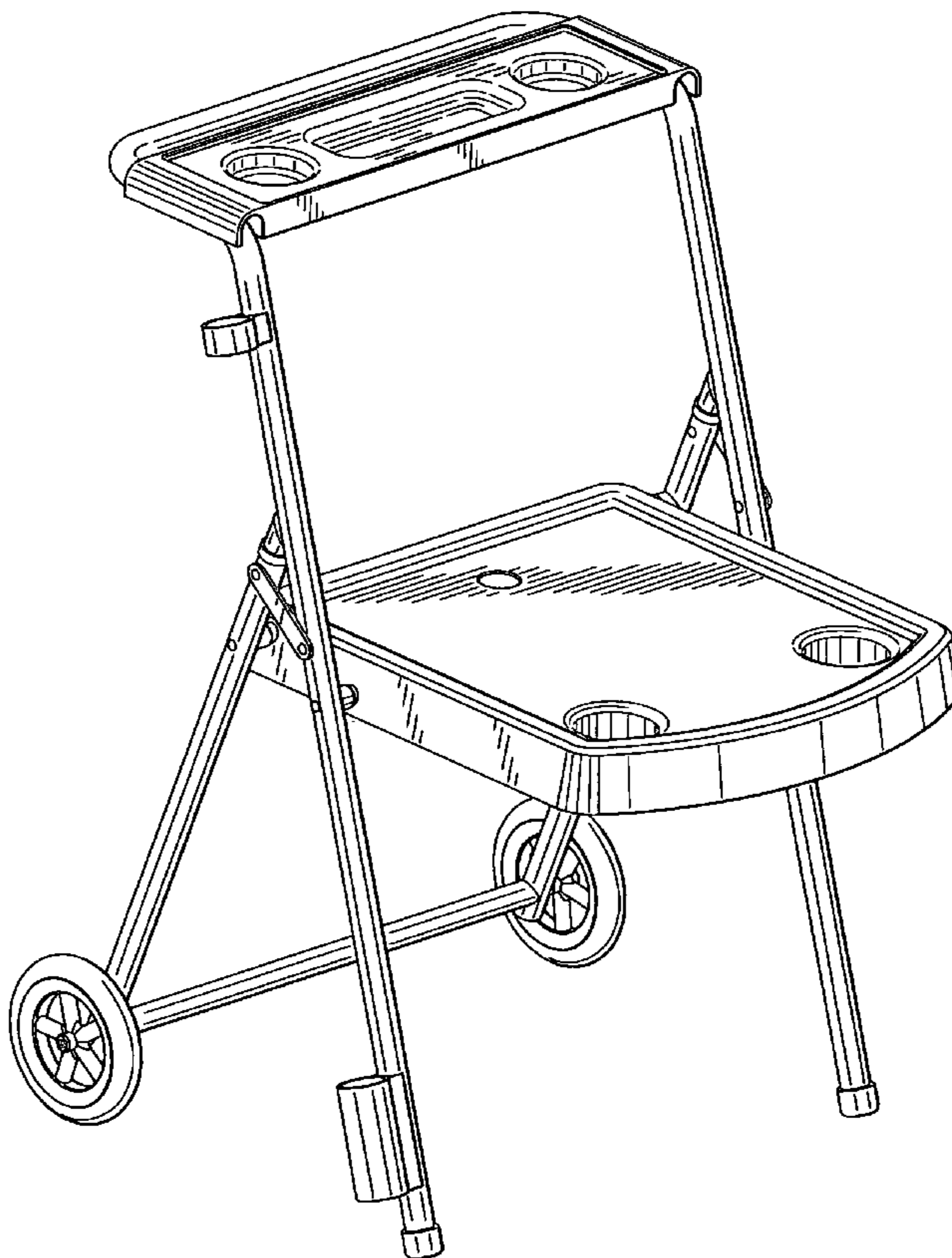




FIG. 1

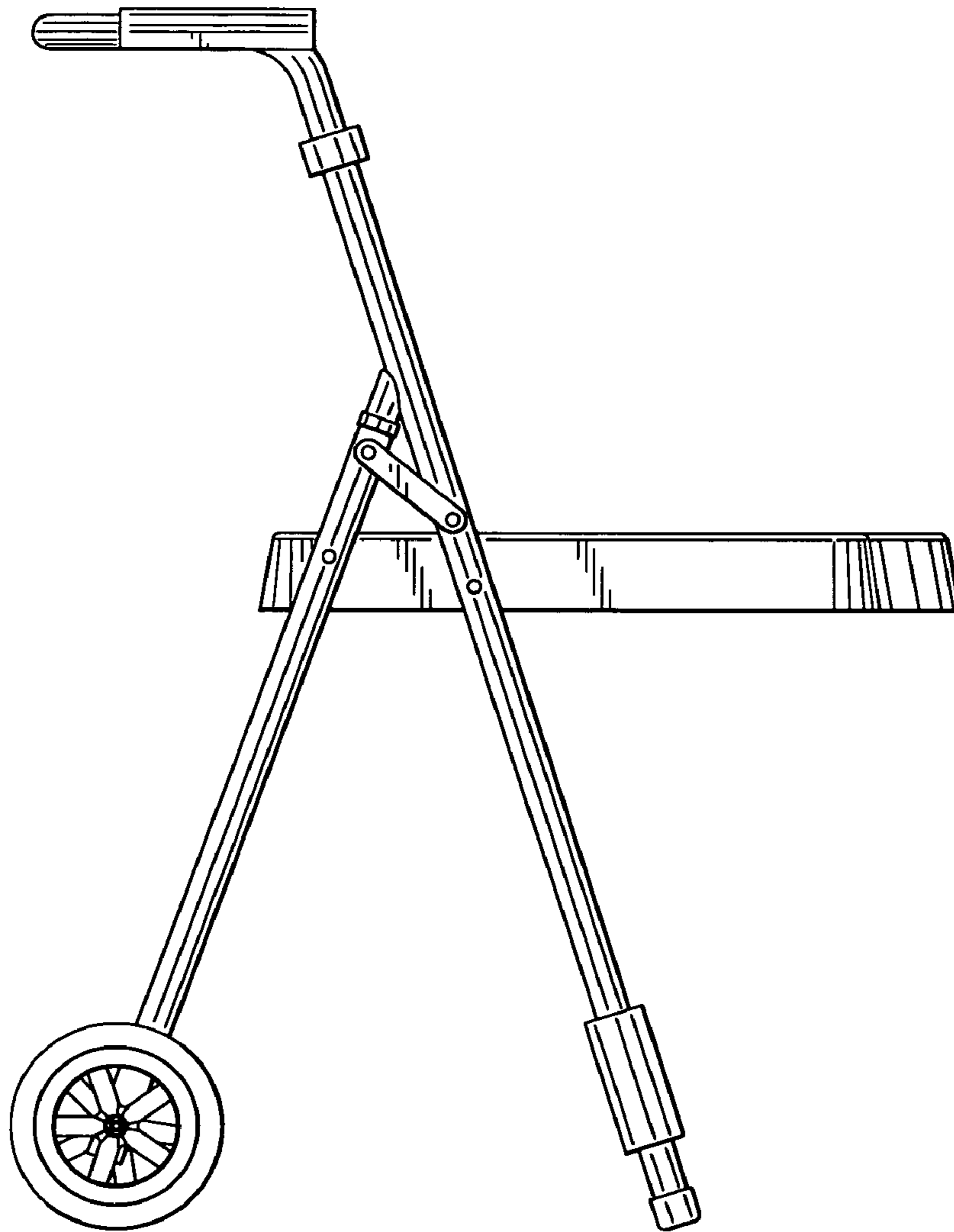


FIG. 2

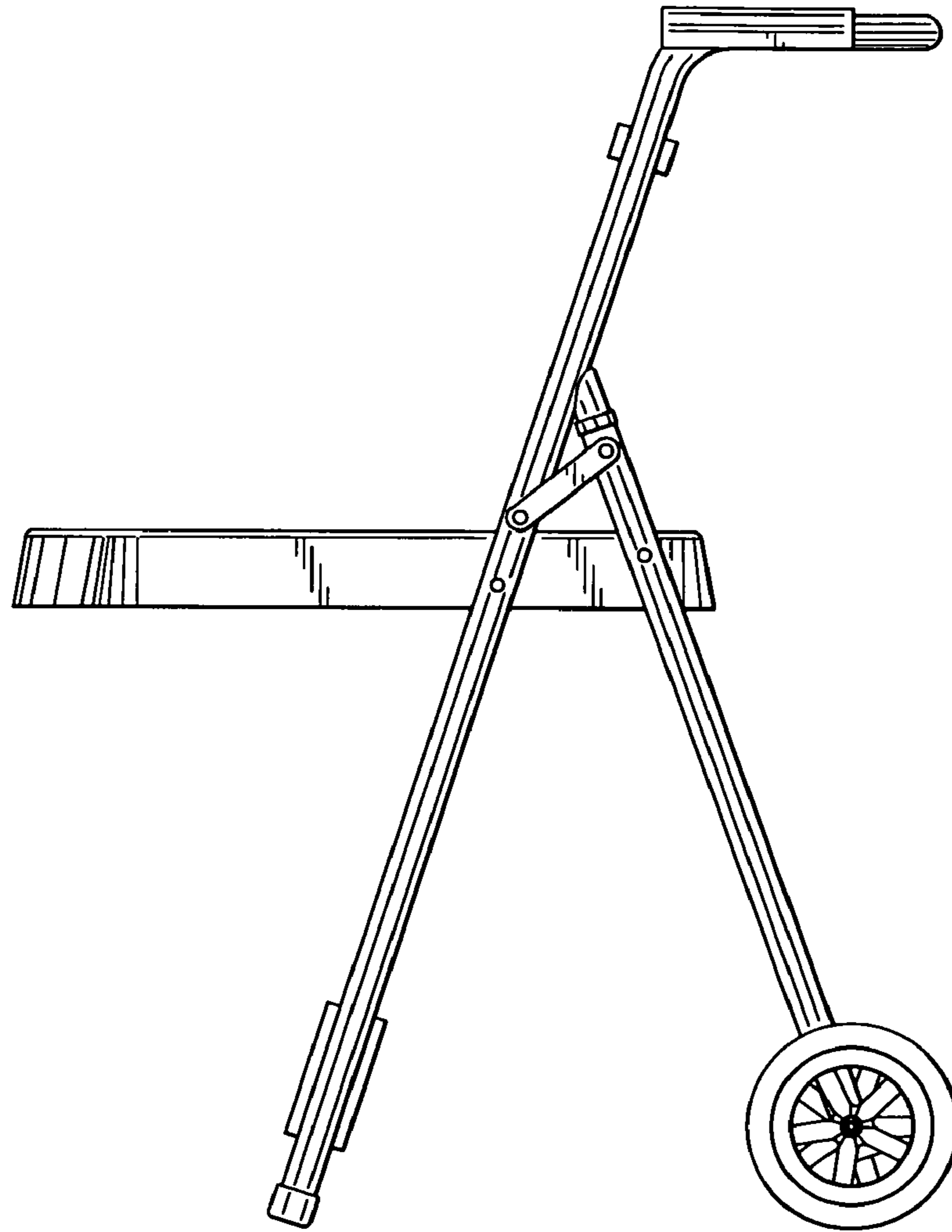


FIG. 3

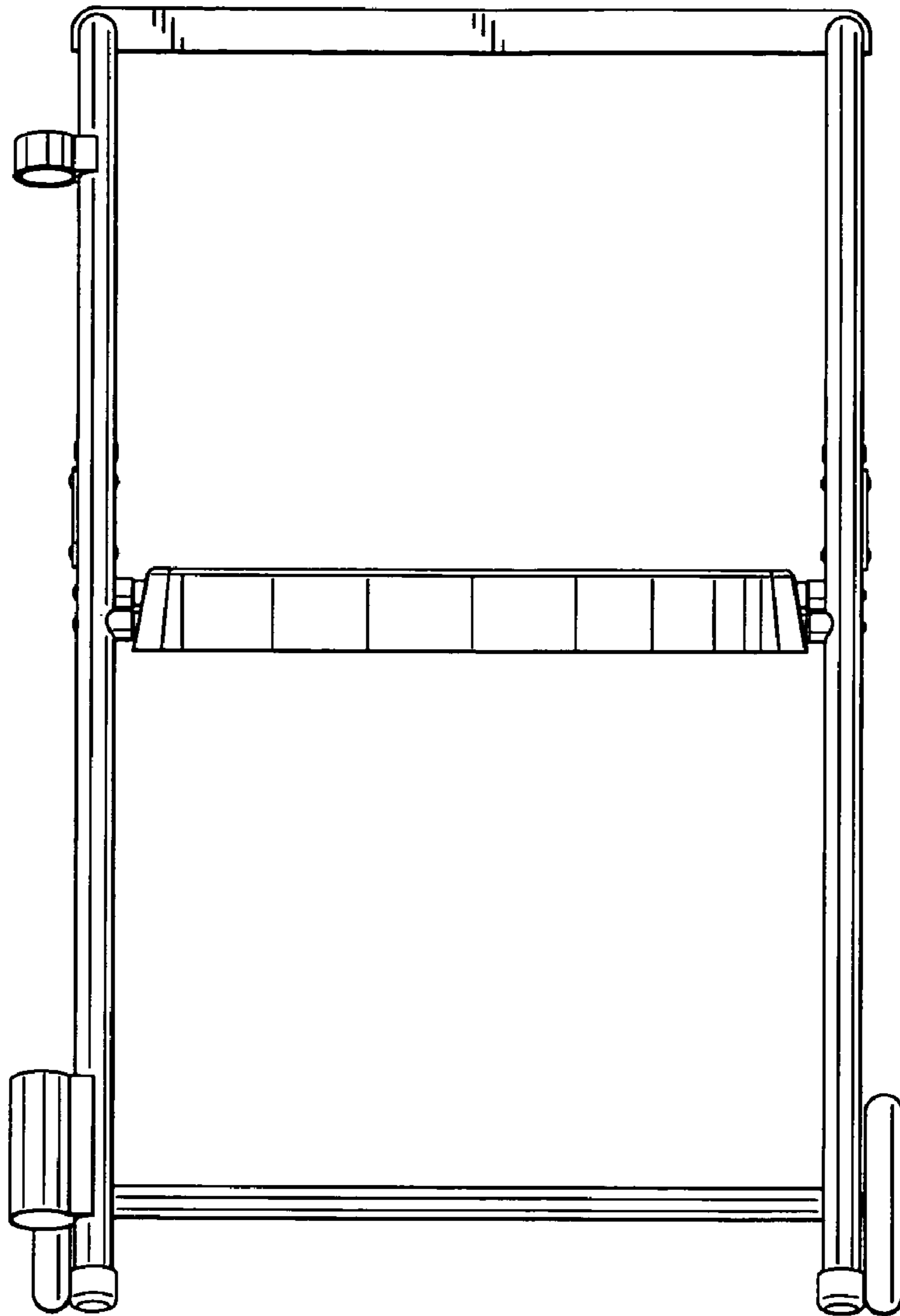


FIG. 4

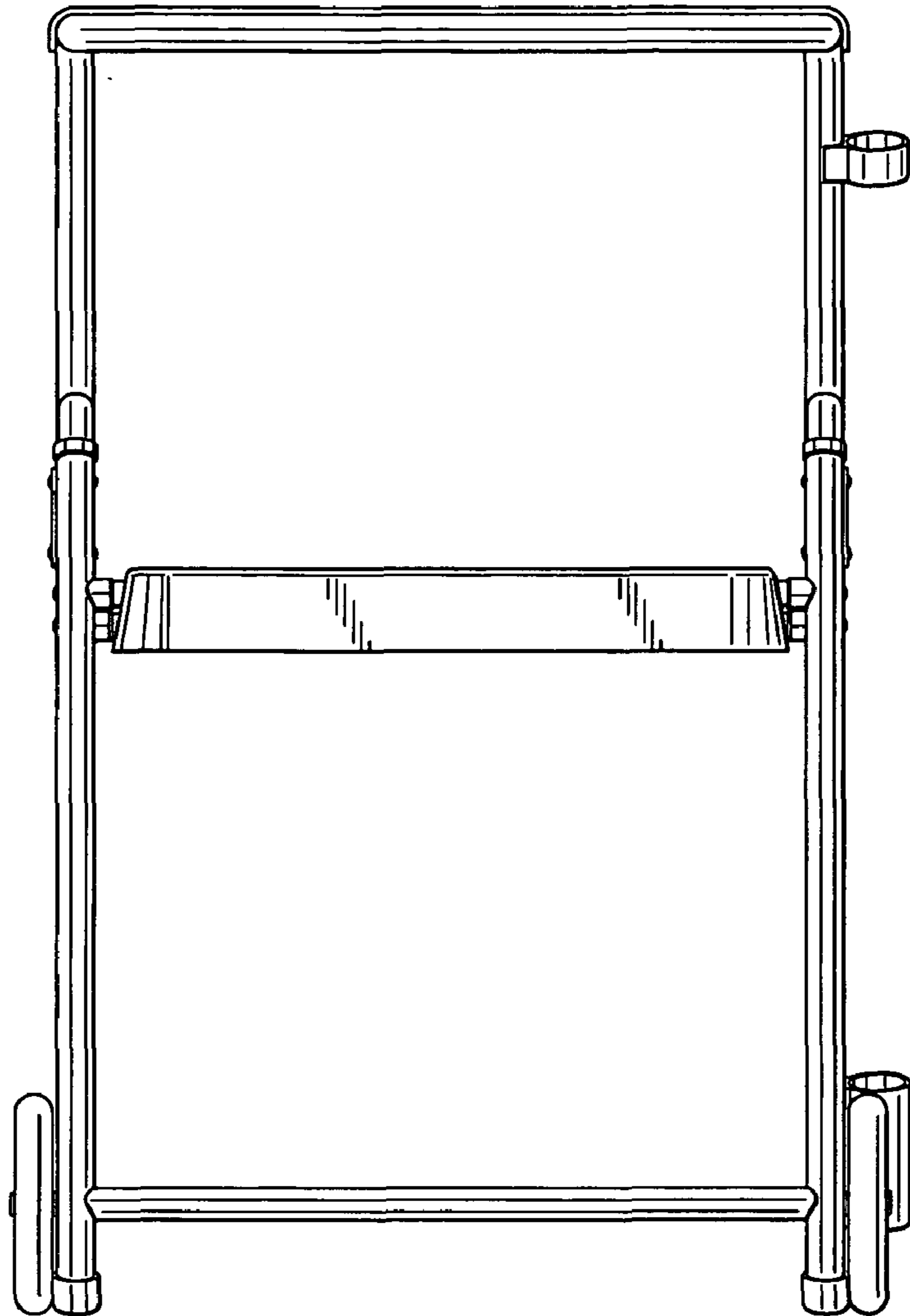


FIG. 5

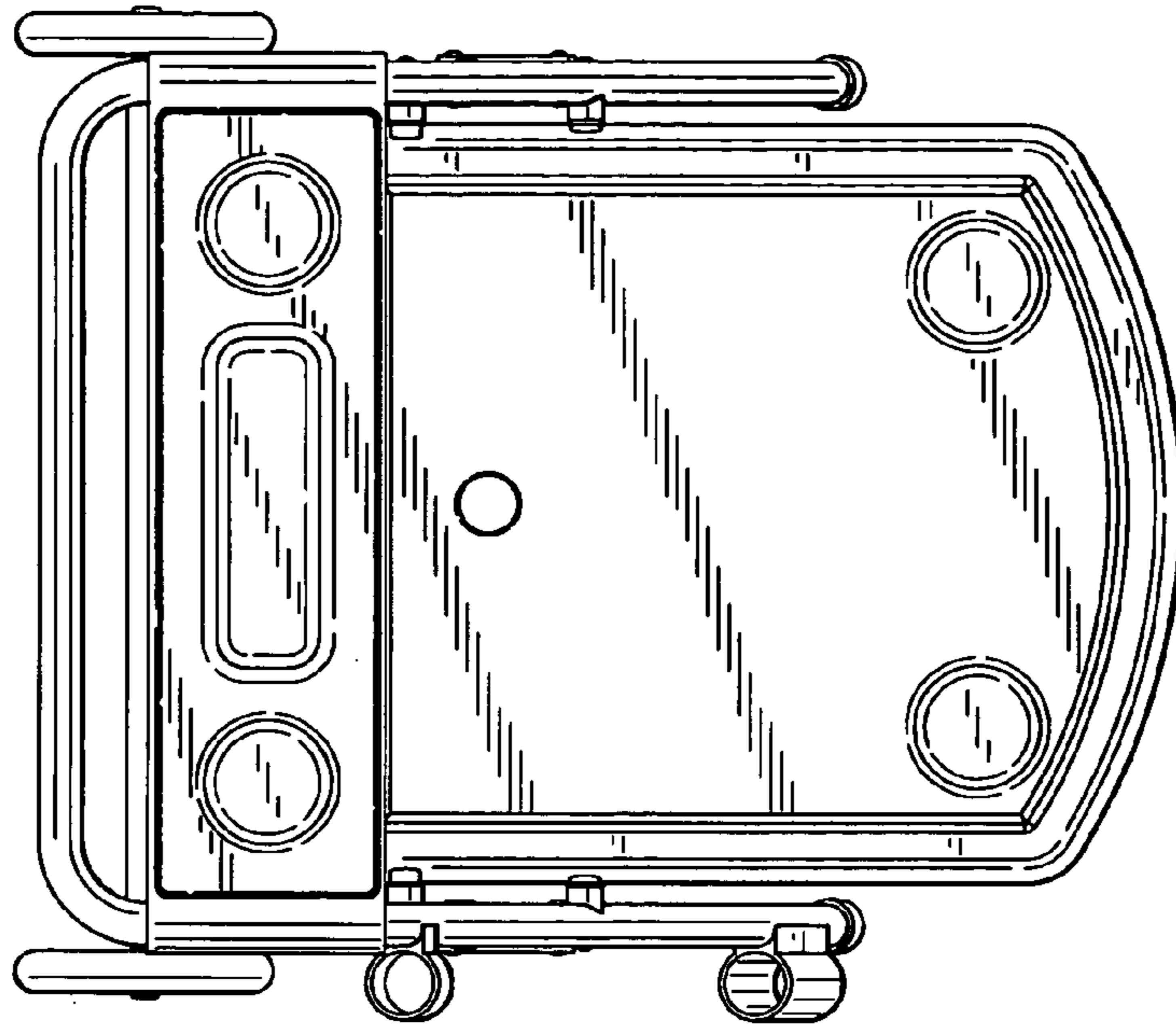


FIG. 6

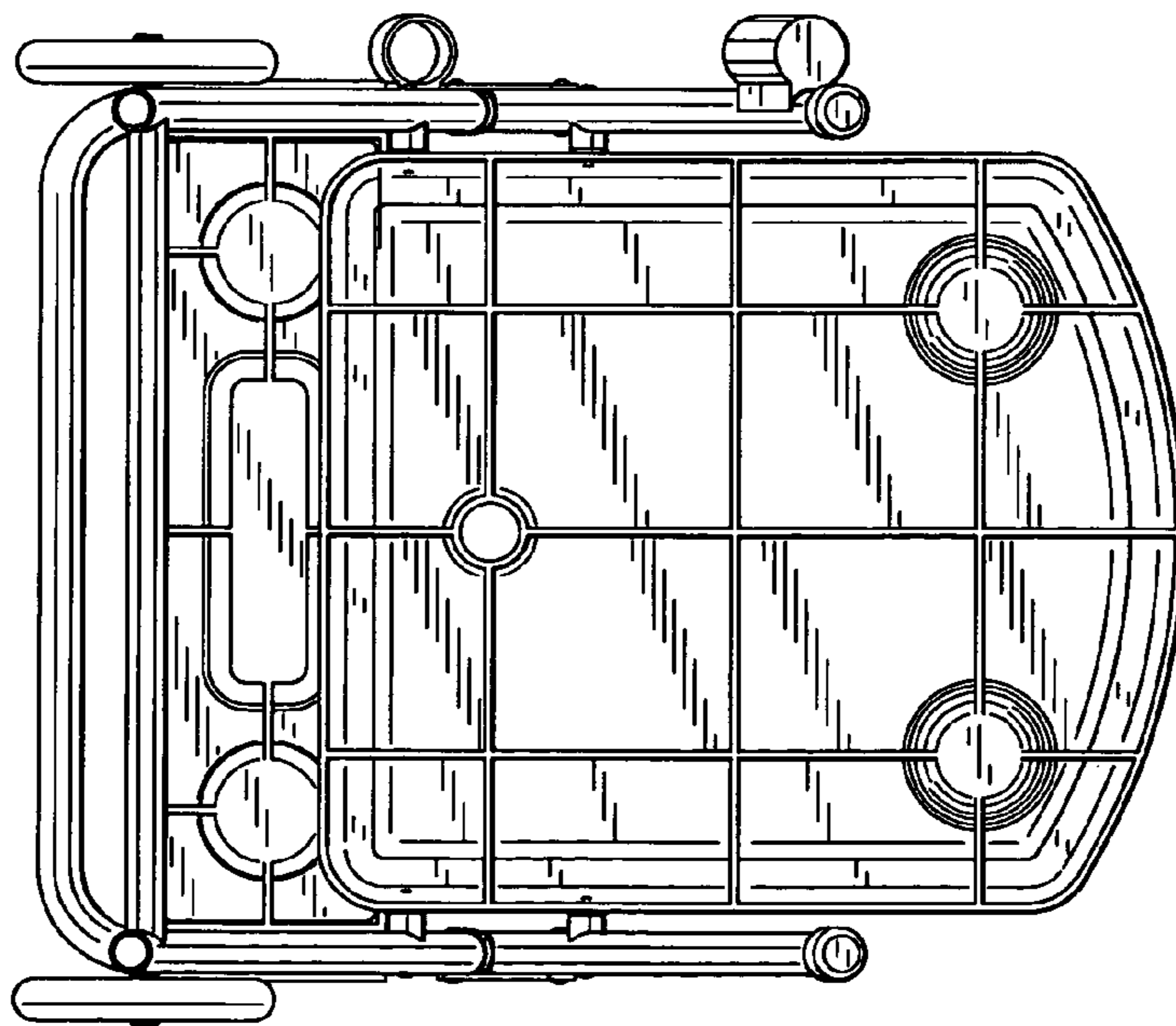


FIG. 7

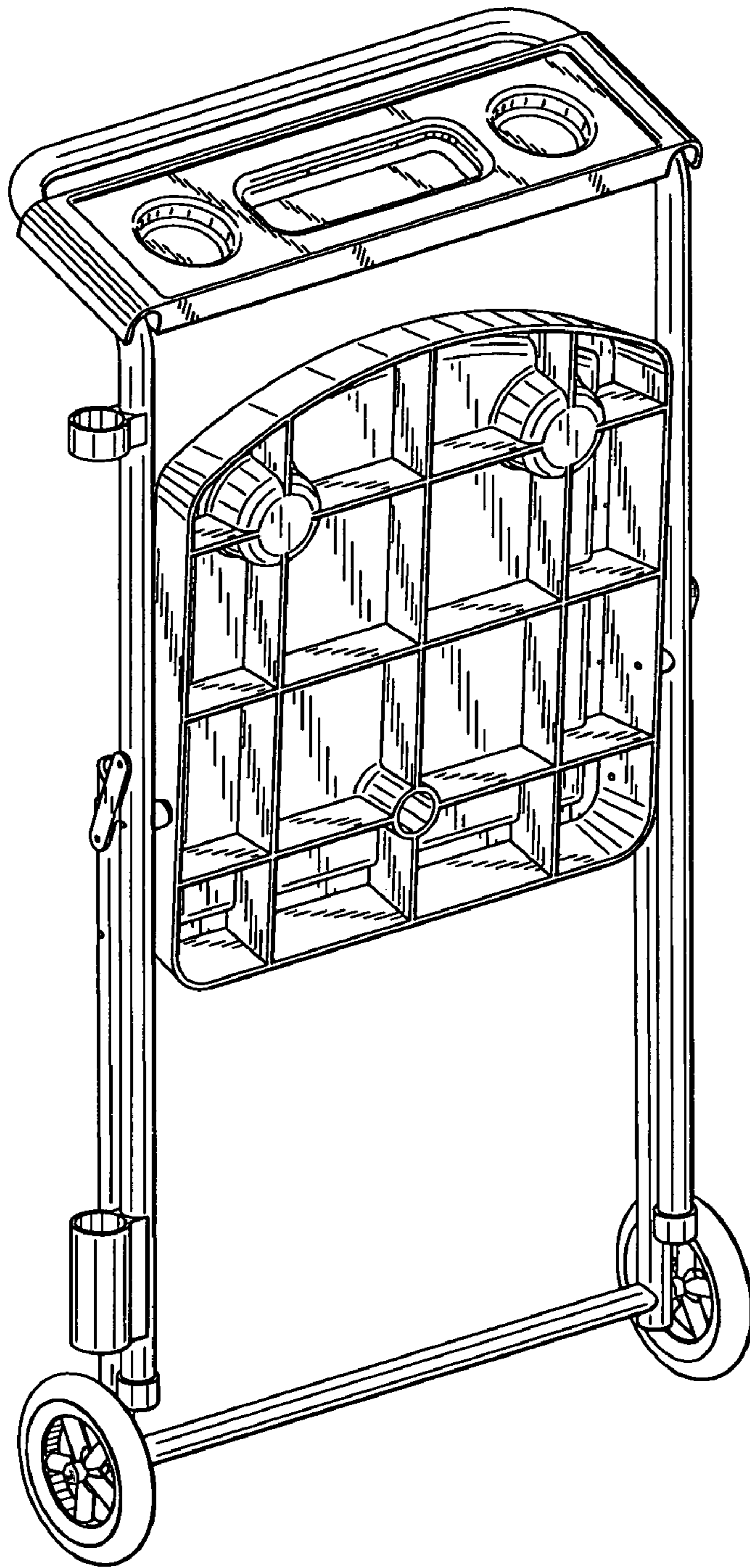


FIG. 8