



US00D618011S

(12) **United States Design Patent**
Sexton

(10) **Patent No.:** **US D618,011 S**
(45) **Date of Patent:** **** Jun. 22, 2010**

(54) **DESK**
(75) Inventor: **James S. Sexton**, San Ramon, CA (US)
(73) Assignee: **Z-Line Designs, Inc.**, San Ramon, CA (US)

D573,367 S * 7/2008 Chang D6/426
D580,684 S 11/2008 Sexton
D592,892 S 5/2009 Sexton
D598,676 S 8/2009 Sexton
D600,470 S * 9/2009 Chang D6/425

(**) Term: **14 Years**
(21) Appl. No.: **29/345,225**
(22) Filed: **Oct. 12, 2009**

OTHER PUBLICATIONS

U.S. Appl. No. 29/337,850, filed May 29, 2009, titled "Desk", Inventor: James S. Sexton.

* cited by examiner

Primary Examiner—Janice E Seeger
(74) *Attorney, Agent, or Firm*—Townsend and Townsend and Crew LLP

(51) **LOC (9) Cl.** **06-03**
(52) **U.S. Cl.** **D6/426; D6/480**
(58) **Field of Classification Search** D6/422–428, D6/480–484, 495–499; 312/194–196, 239, 312/279; 108/50.01, 50.02, 153.1, 155, 156, 108/161; 248/188, 188.1, 188.8
See application file for complete search history.

(57) **CLAIM**

The ornamental design for a desk, as shown and described.

DESCRIPTION

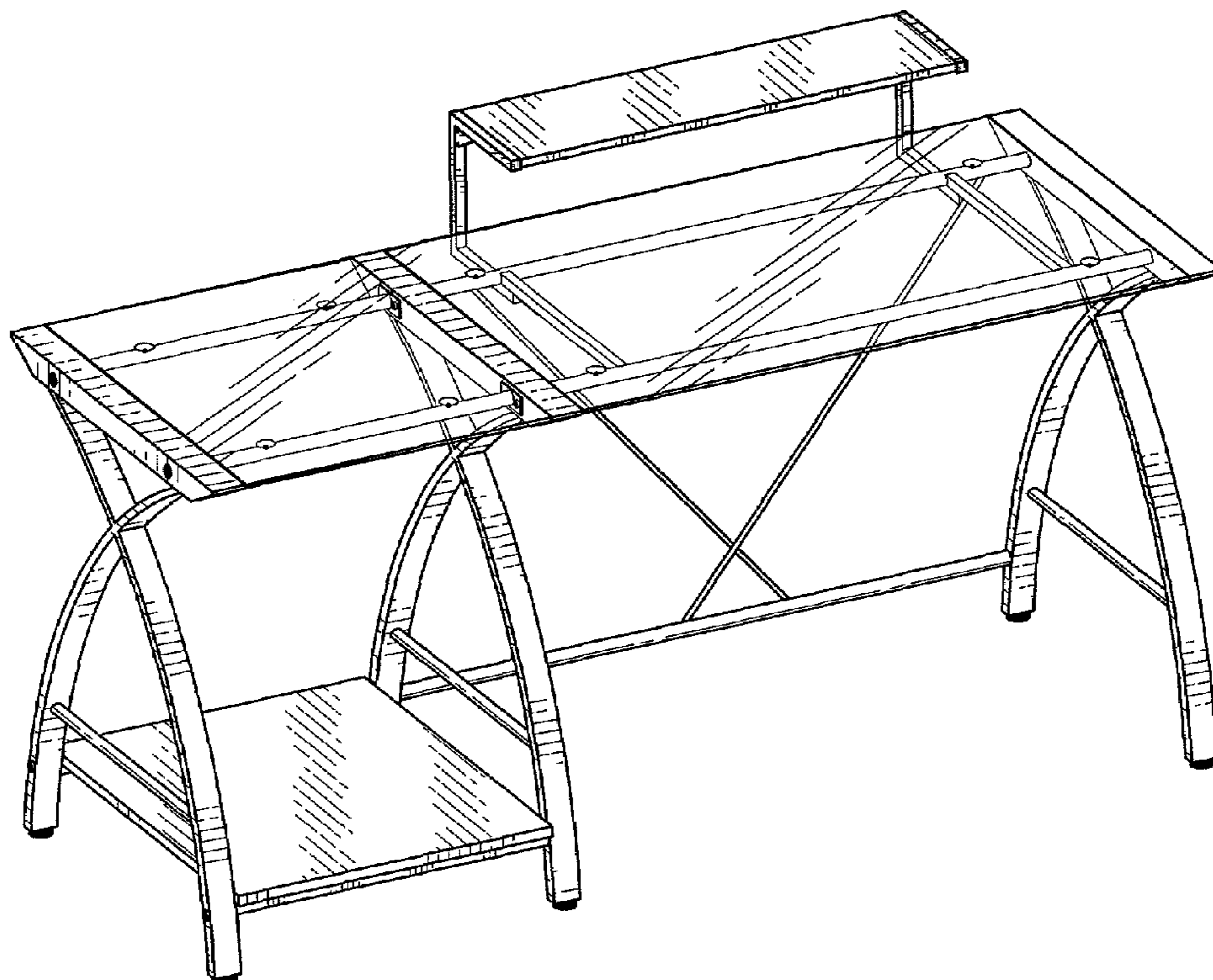
FIG. 1 is a perspective view of a desk showing my new design; FIG. 2 is a front elevational view thereof; FIG. 3 is a rear elevational view thereof; FIG. 4 is a right side elevational view thereof; FIG. 5 is a left side elevational view thereof; FIG. 6 is a top plan view thereof; and, FIG. 7 is a bottom plan view thereof.

(56) **References Cited**

U.S. PATENT DOCUMENTS

D456,632 S * 5/2002 Chang D6/425
D471,030 S * 3/2003 Chang D6/423
D474,355 S 5/2003 Sexton
D505,567 S * 5/2005 Chang D6/425
D527,550 S 9/2006 Sexton
D569,126 S 5/2008 Sexton
D569,132 S 5/2008 Sexton
D573,366 S 7/2008 Sexton

1 Claim, 4 Drawing Sheets



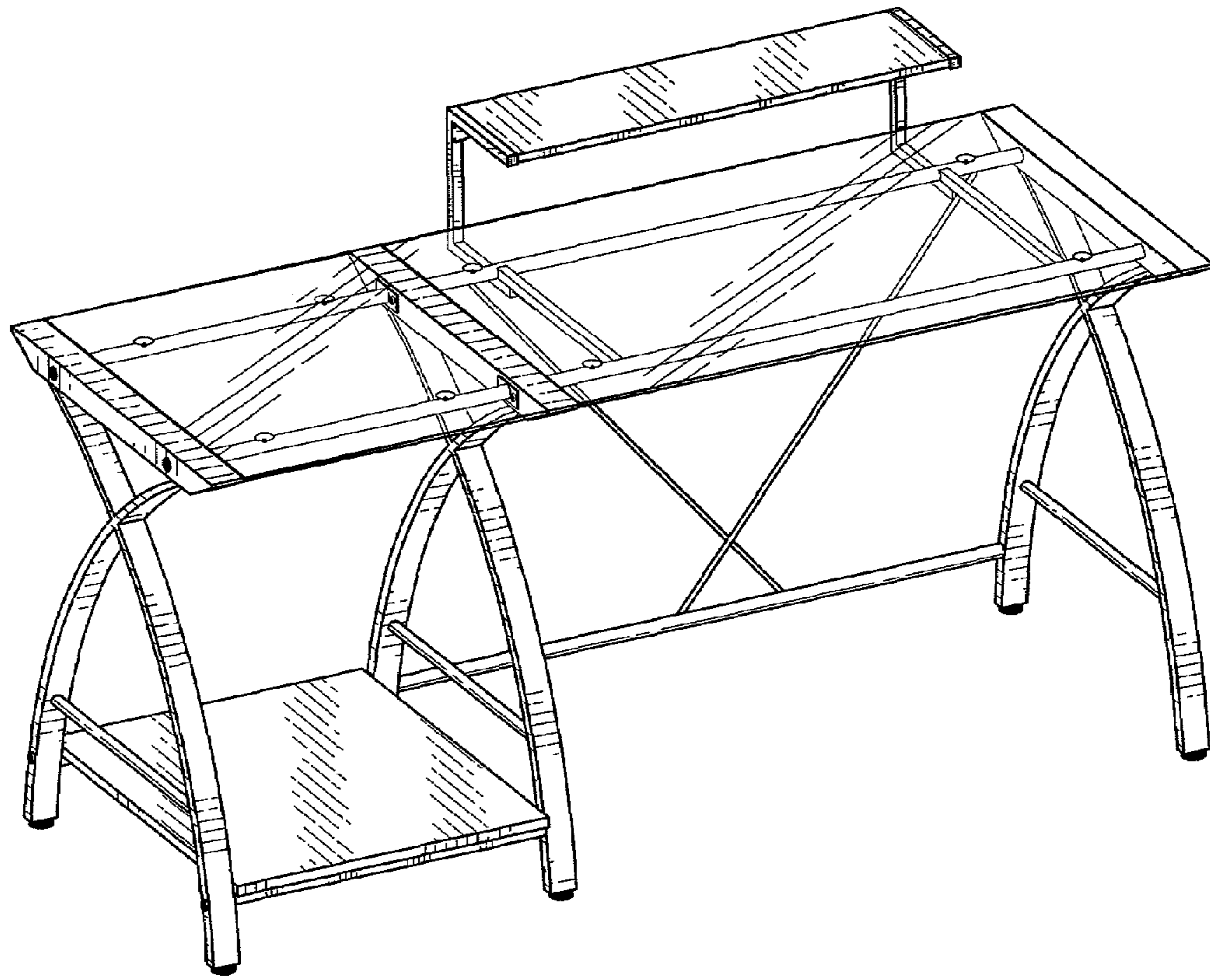


FIG. 1

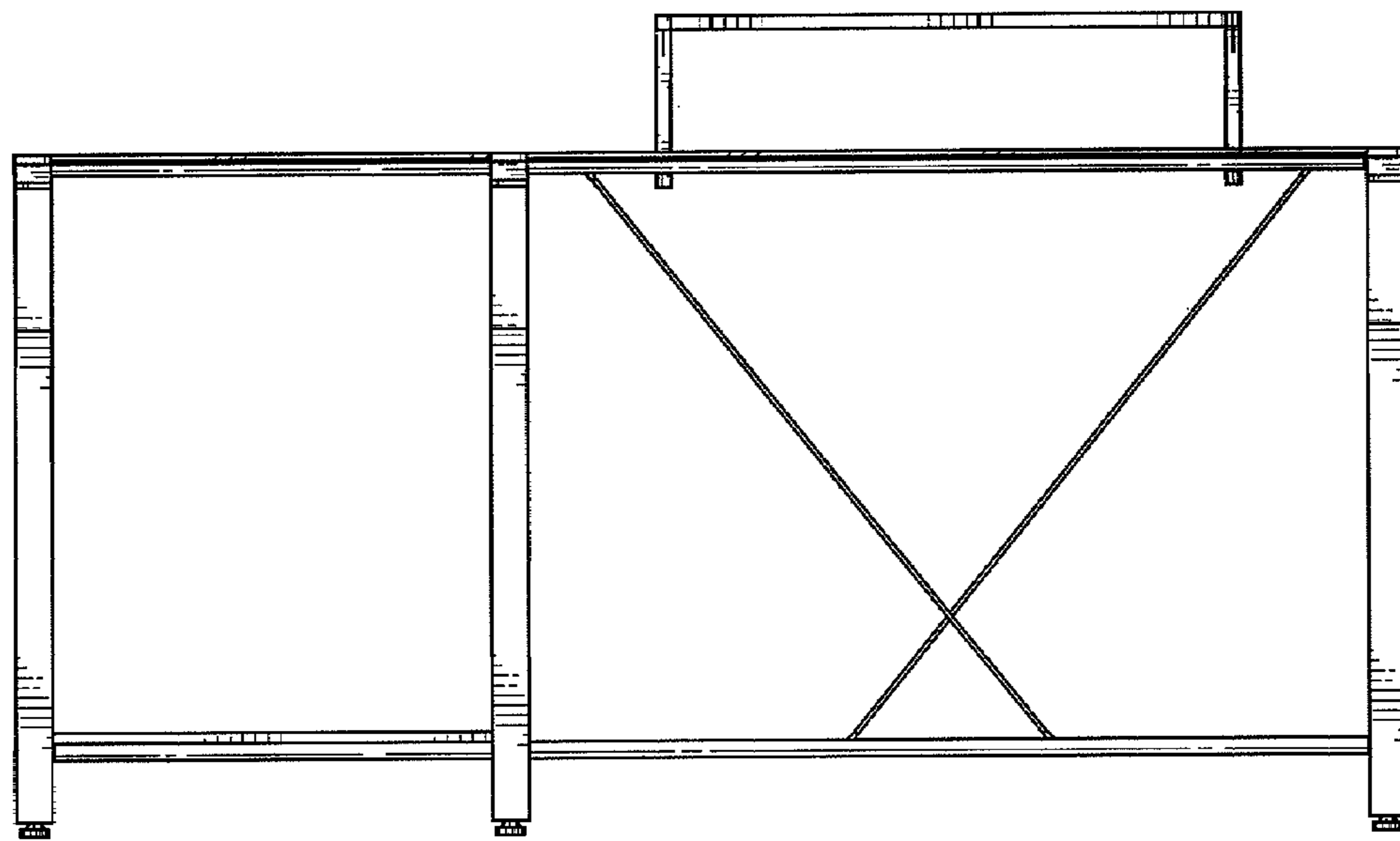


FIG. 2

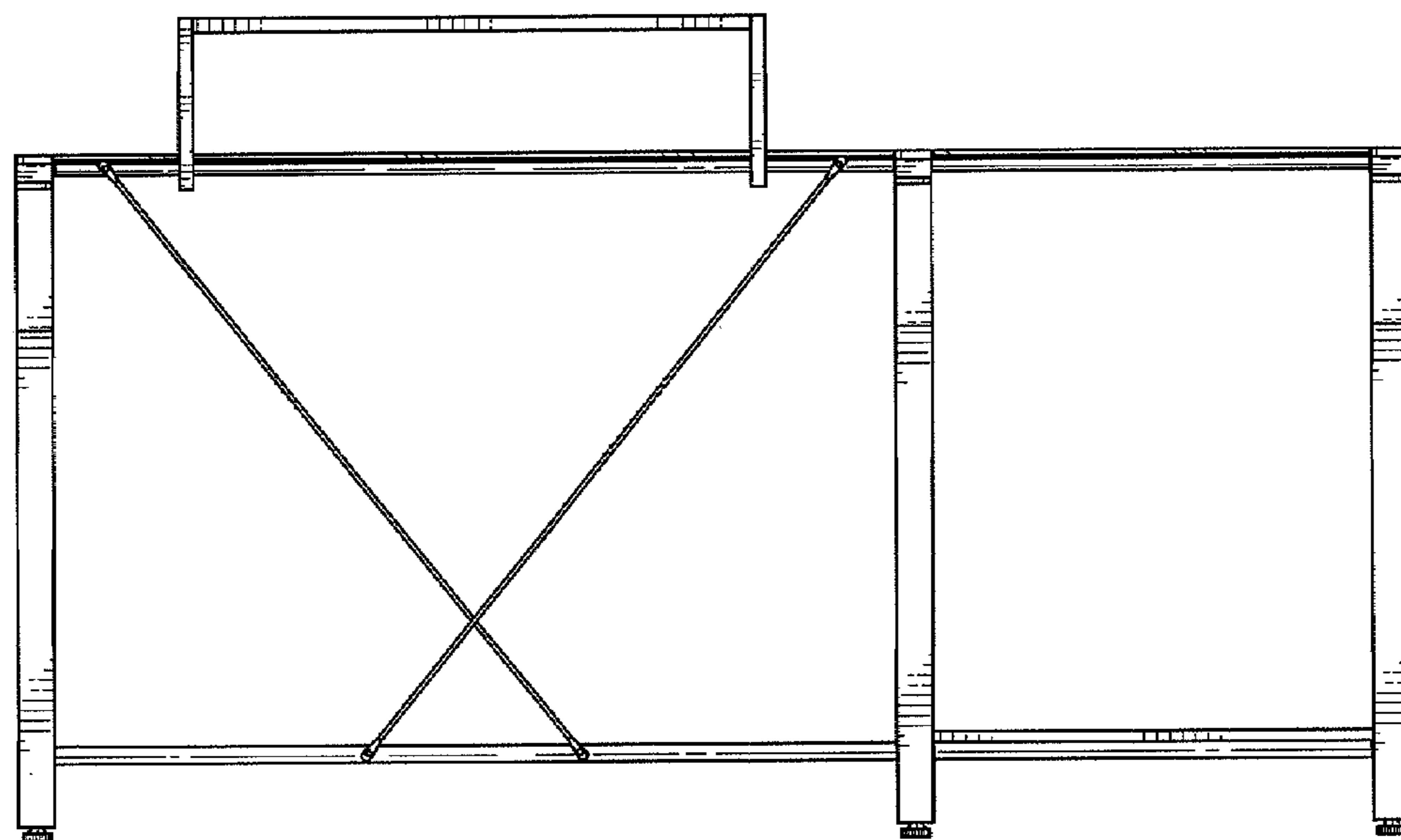


FIG. 3

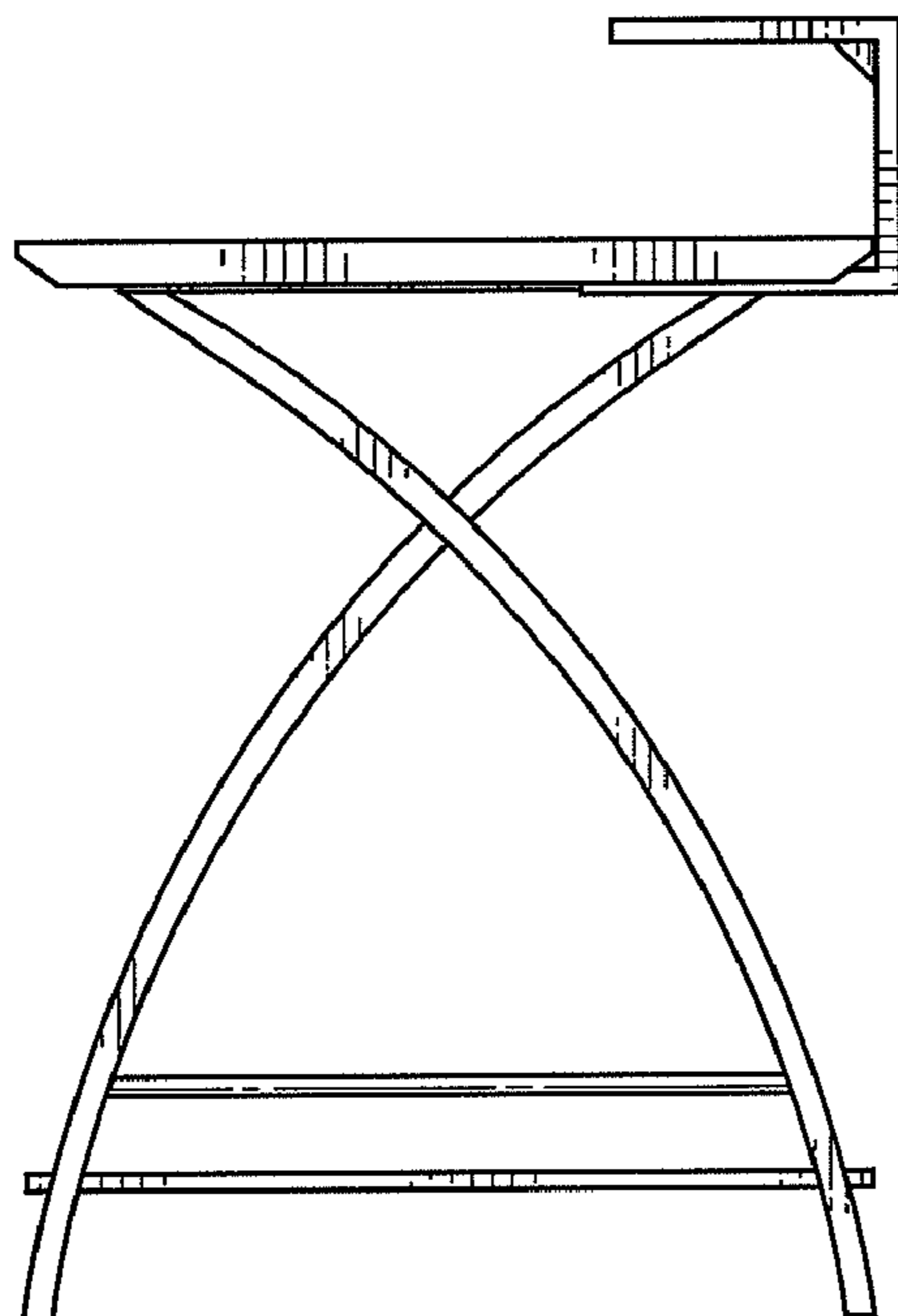


FIG. 4

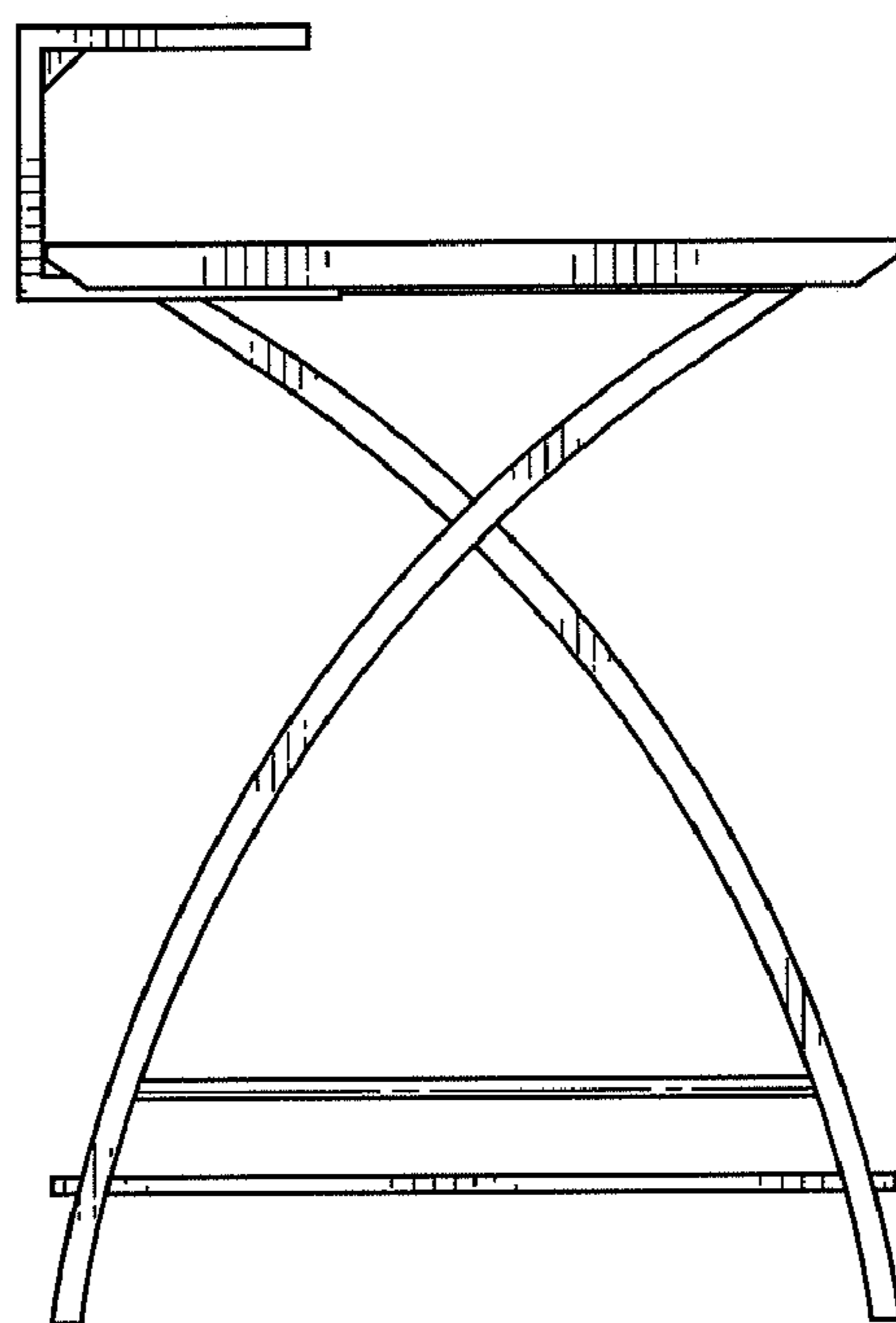


FIG. 5

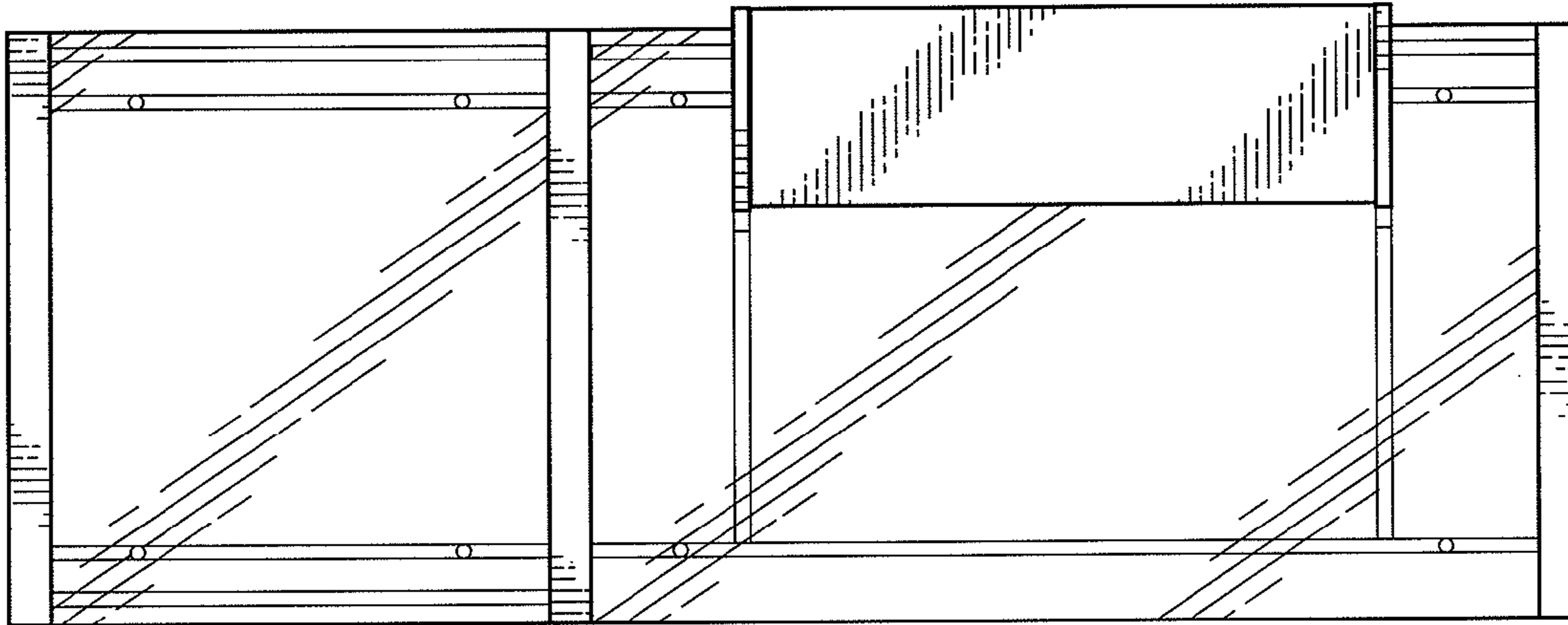


FIG. 6

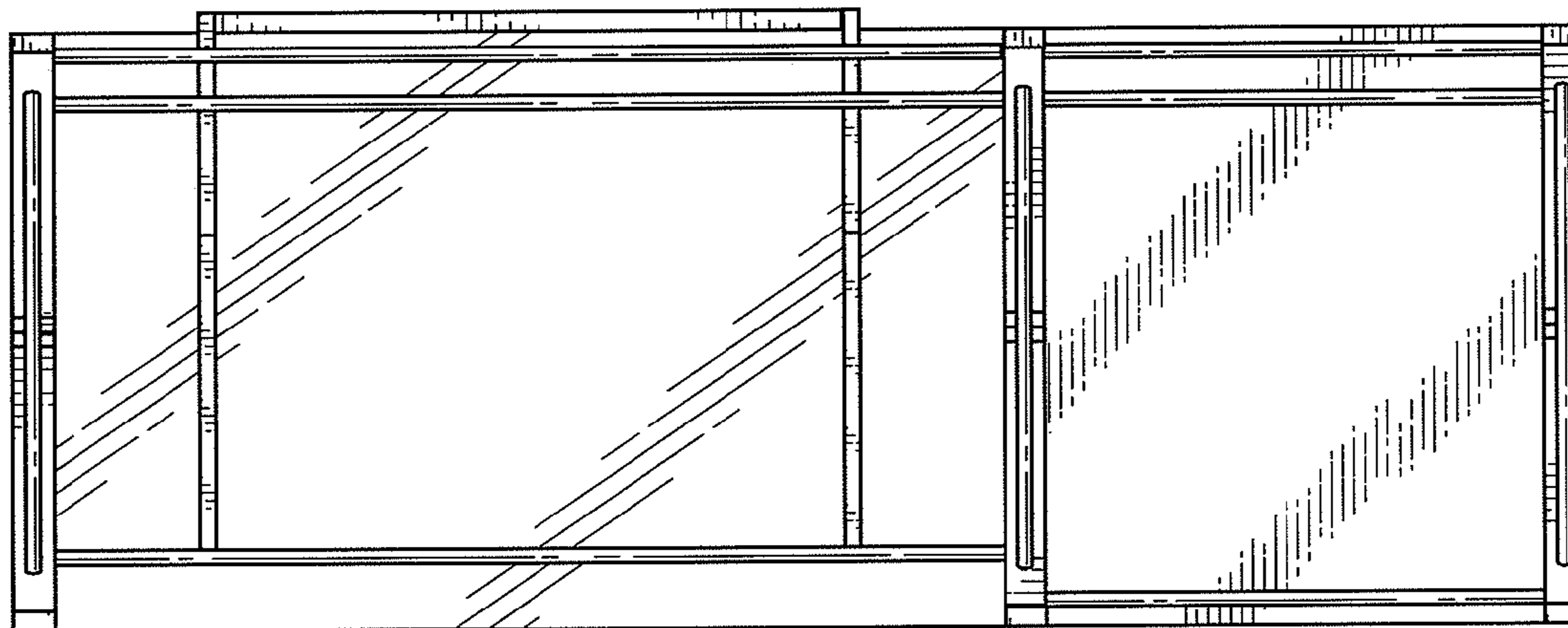


FIG. 7