



US00D618009S

(12) **United States Design Patent**
Lancet

(10) **Patent No.:** **US D618,009 S**
(45) **Date of Patent:** **** Jun. 22, 2010**

(54) **COMBINED FLOOR STANDING
BOOKHOLDER, LAPTOP SUPPORT AND
WRITING STAND**

(76) Inventor: **Gary Lancet**, Thinking Gifts Limited,
17-19 Bedford Street, London (GB)
WC2E 9HP

(**) Term: **14 Years**

(21) Appl. No.: **29/340,697**

(22) Filed: **Jul. 23, 2009**

(51) **LOC (9) Cl.** **06-03**

(52) **U.S. Cl.** **D6/419**

(58) **Field of Classification Search** D6/312,
D6/419, 429, 406.2; 248/441.1, 447, 448,
248/454, 455, 457, 458, 446

See application file for complete search history.

(56) **References Cited**

U.S. PATENT DOCUMENTS

586,391	A	7/1897	Pinney et al.	
1,286,087	A *	11/1918	Petus et al	248/457
2,104,072	A	1/1938	Carr	
2,485,135	A	10/1949	Blumenstock	
3,119,588	A	1/1964	Keats	
3,586,852	A	6/1971	Bradley	
D367,971	S *	3/1996	Lynn	D6/419
D388,262	S *	12/1997	Benting et al.	D6/419
D459,610	S *	7/2002	Coonan et al.	D6/429
6,663,073	B1 *	12/2003	Church	248/458
7,040,591	B1	5/2006	Simon	
D557,035	S *	12/2007	Huang	D6/419

FOREIGN PATENT DOCUMENTS

WO 99/09859 3/1999

* cited by examiner

Primary Examiner—Janice E Seeger

(74) *Attorney, Agent, or Firm*—Lowe Hauptman Ham & Berner, LLP

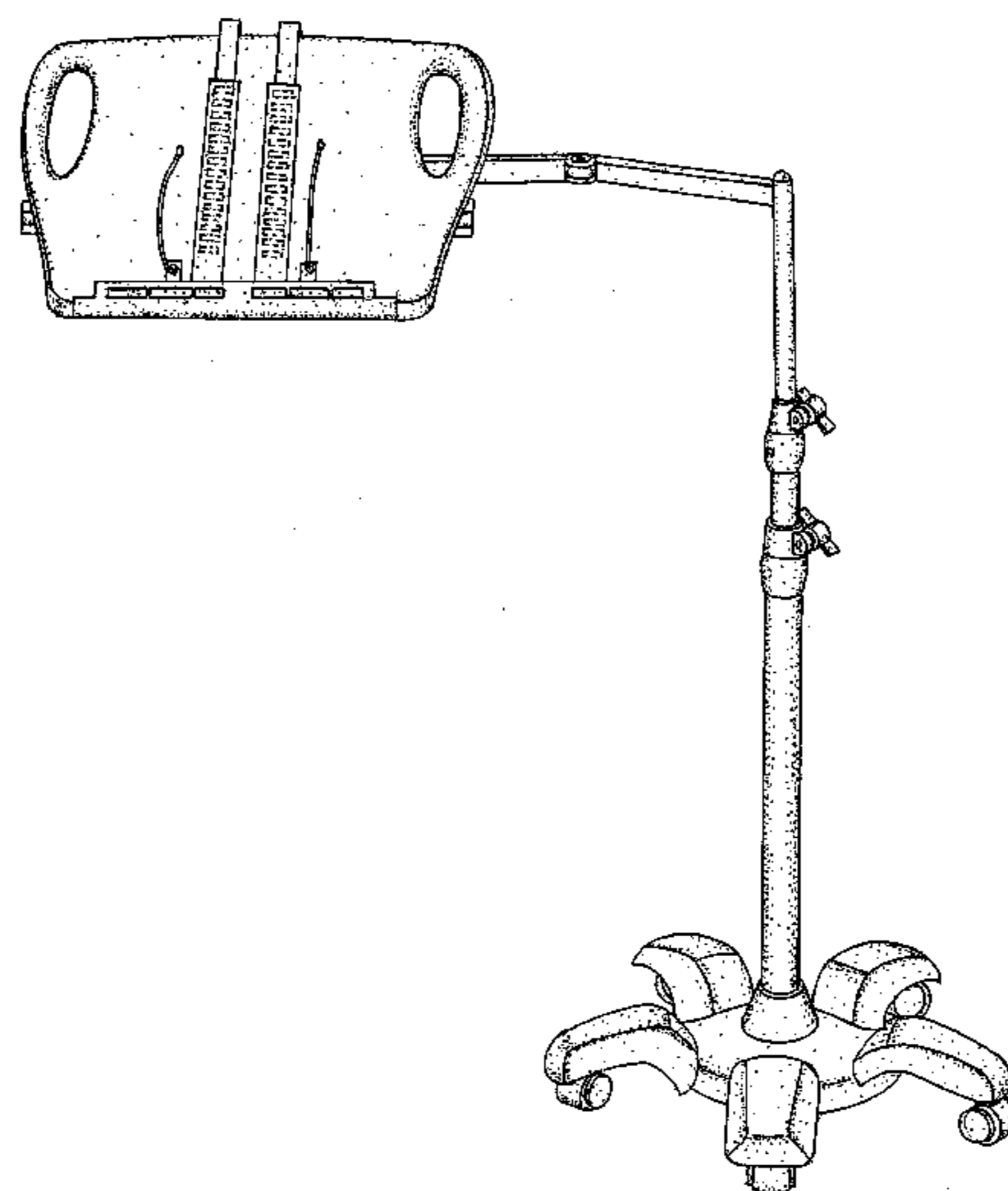
(57) **CLAIM**

A new original ornamental design for the combined floor standing bookholder, laptop support and writing stand, as shown and described herein.

DESCRIPTION

FIG. 1 is a first perspective view of the stand;
 FIG. 2 is a second perspective view of the stand;
 FIG. 3 is a top plan view of a portion of the stand;
 FIG. 4 is a rear, underside perspective view of a portion of the stand;
 FIG. 5 is a bottom plan view of a portion of the stand;
 FIG. 6 is a front plan view of the stand in a raised position;
 FIG. 7 is a front plan view of the stand in a non-raised position;
 FIG. 8 is a side plan view of the stand with a holding platform in a face-up position;
 FIG. 9 is a side plan view of the stand with the holding platform at an angled-up position;
 FIG. 10 is a side plan view of the stand with the holding platform in an upright position;
 FIG. 11 is a side plan view of the stand with the holding platform in an upright position with an arm support in a raised position;
 FIG. 12 is a side plan view of the stand with the holding platform rotated about an axis of the arm support;
 FIG. 13 is a side plan view of the stand with the holding platform rotated in an opposite direction about an axis of the arm support; and,
 FIG. 14 is a front plan view of the stand in a non-raised position and with the holding platform rotated at an angle about an axis of the arm support.

1 Claim, 14 Drawing Sheets



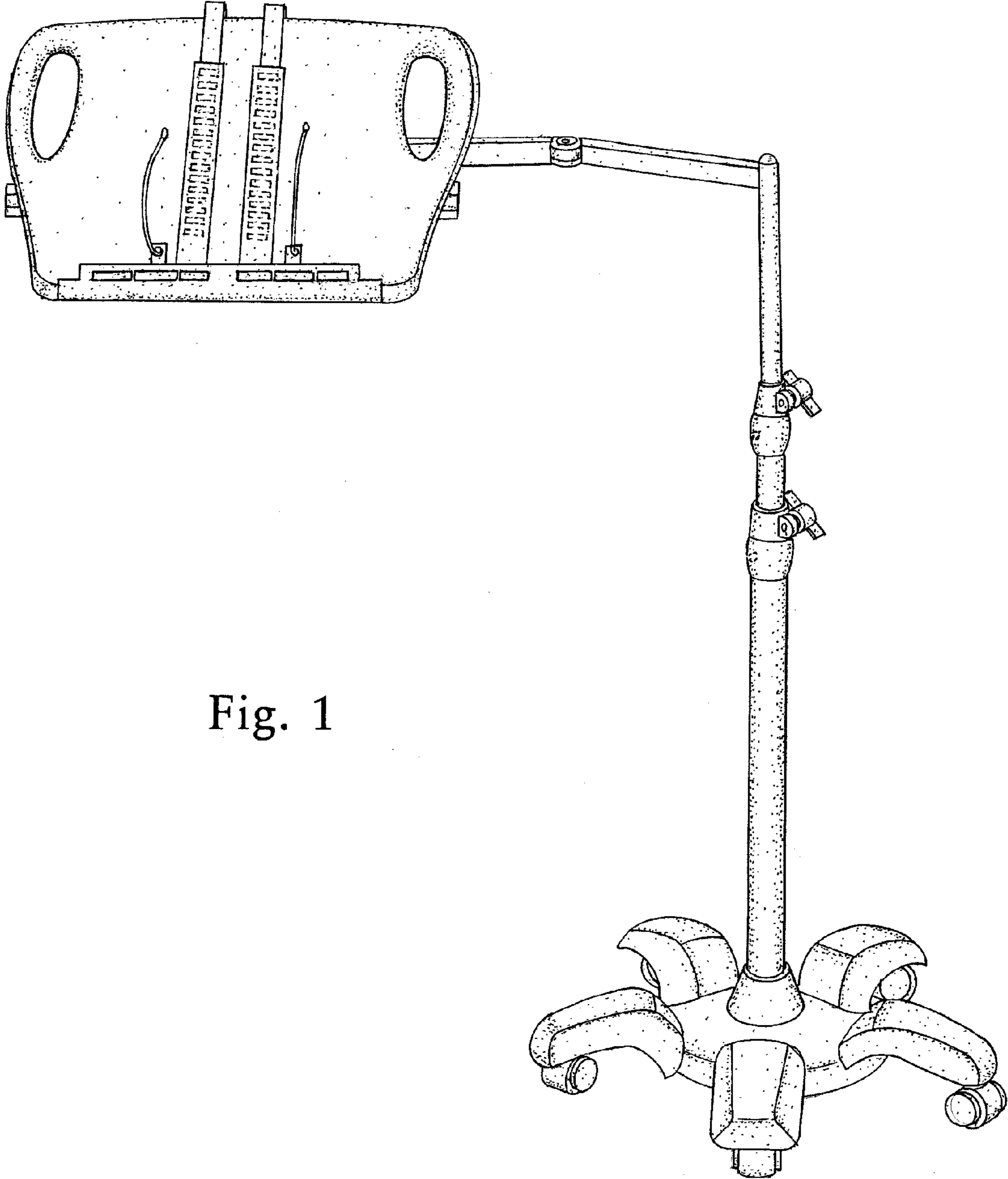


Fig. 1

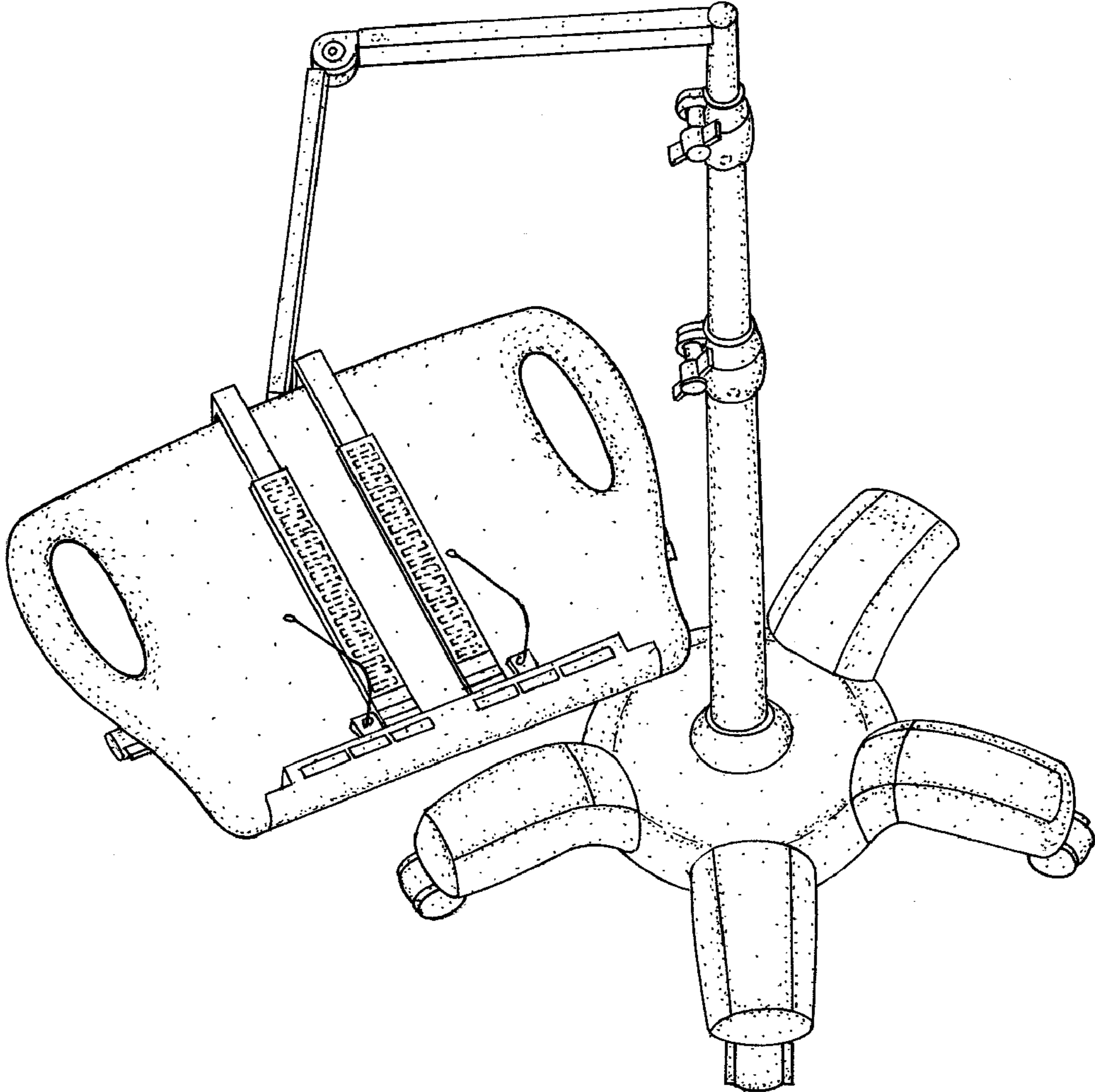


Fig. 2

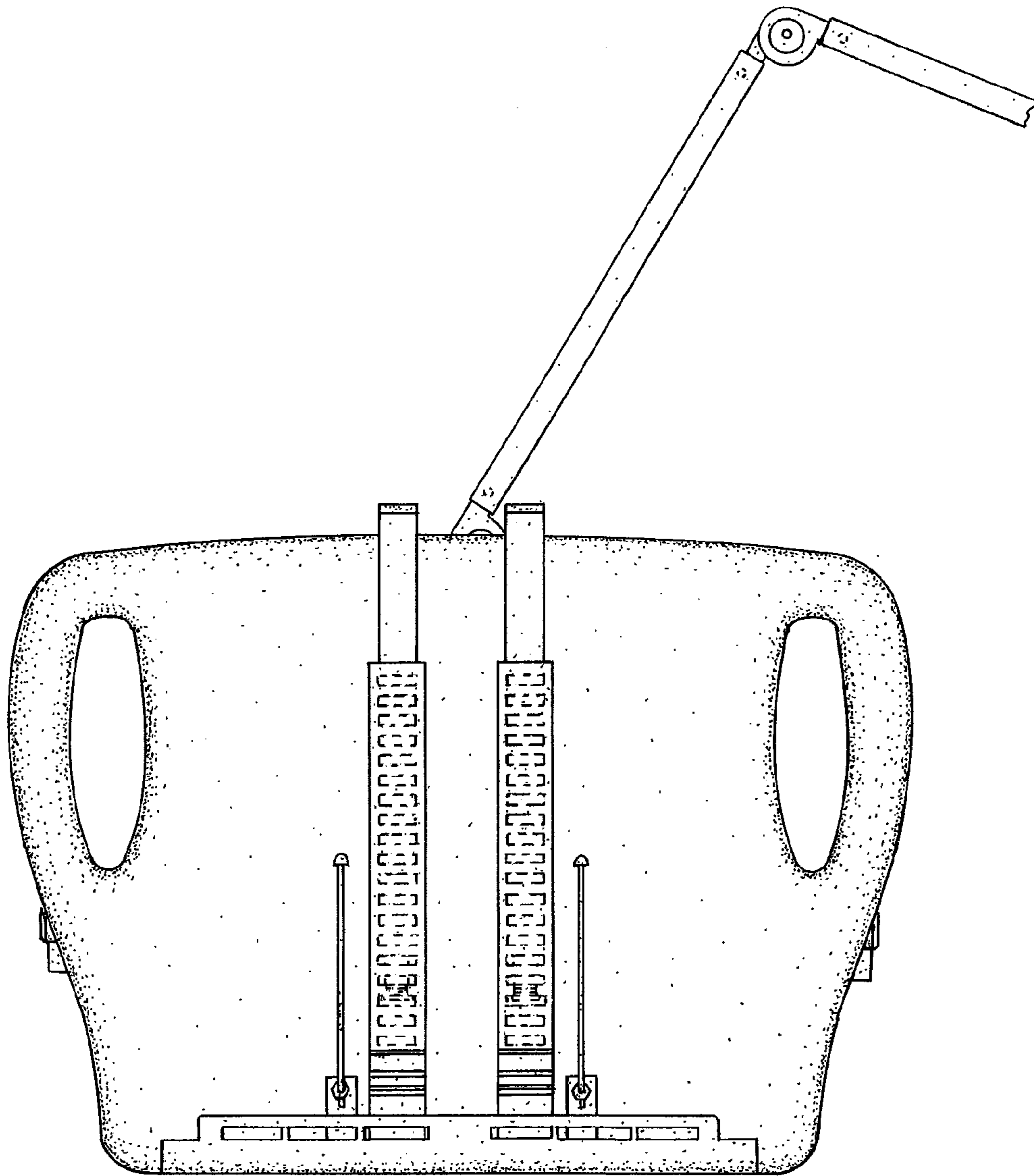


Fig. 3

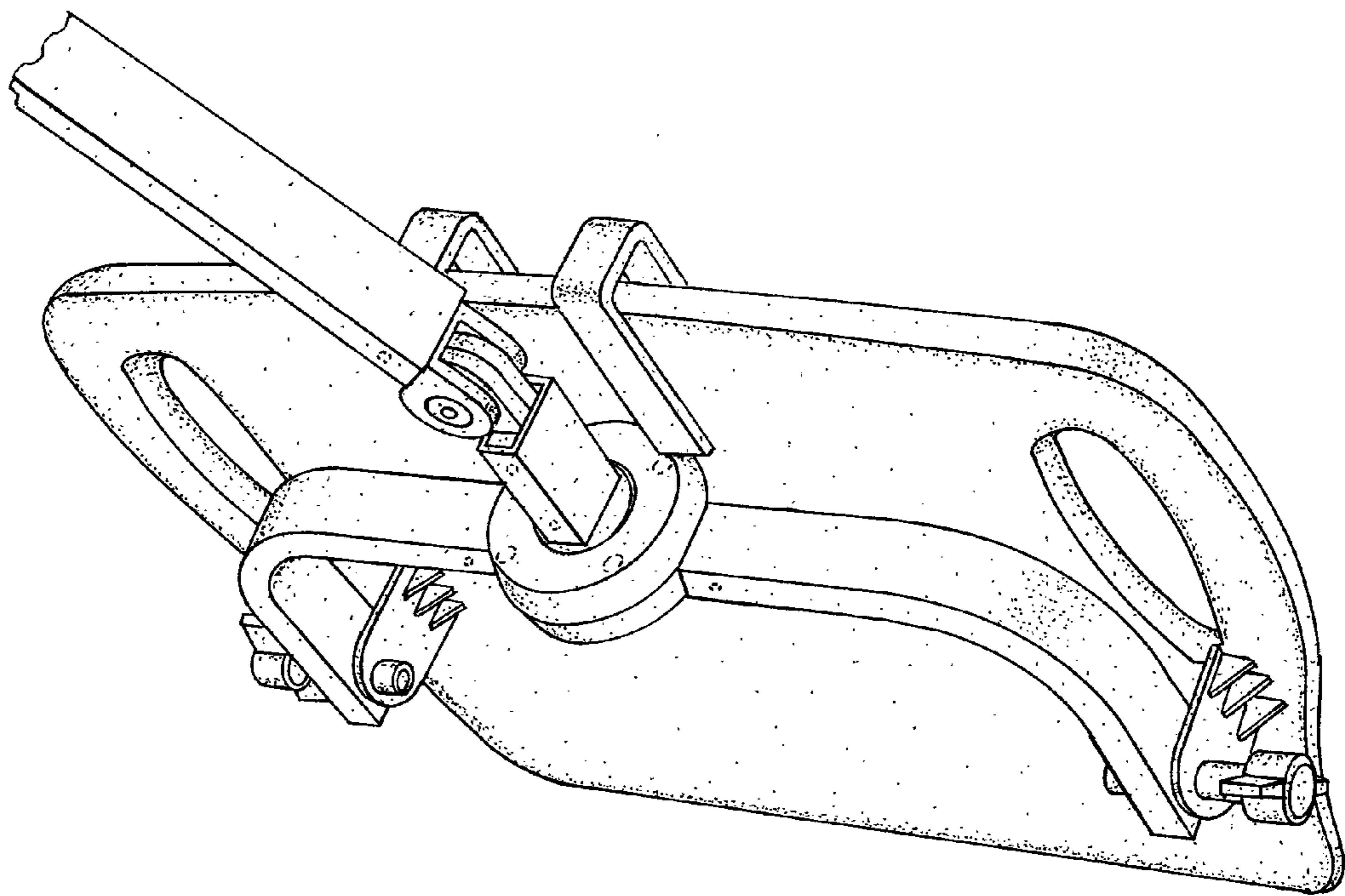


Fig. 4

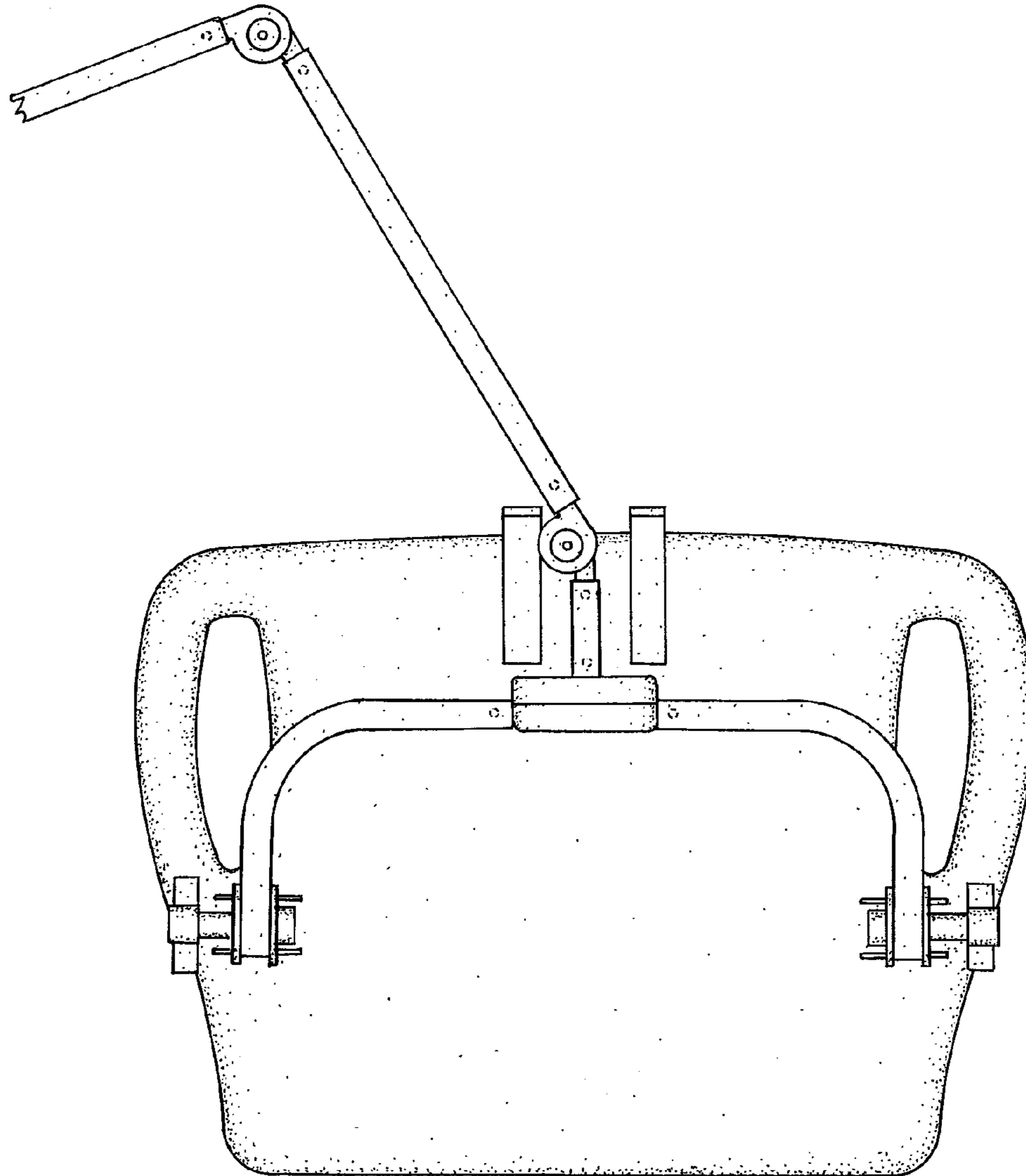


Fig. 5

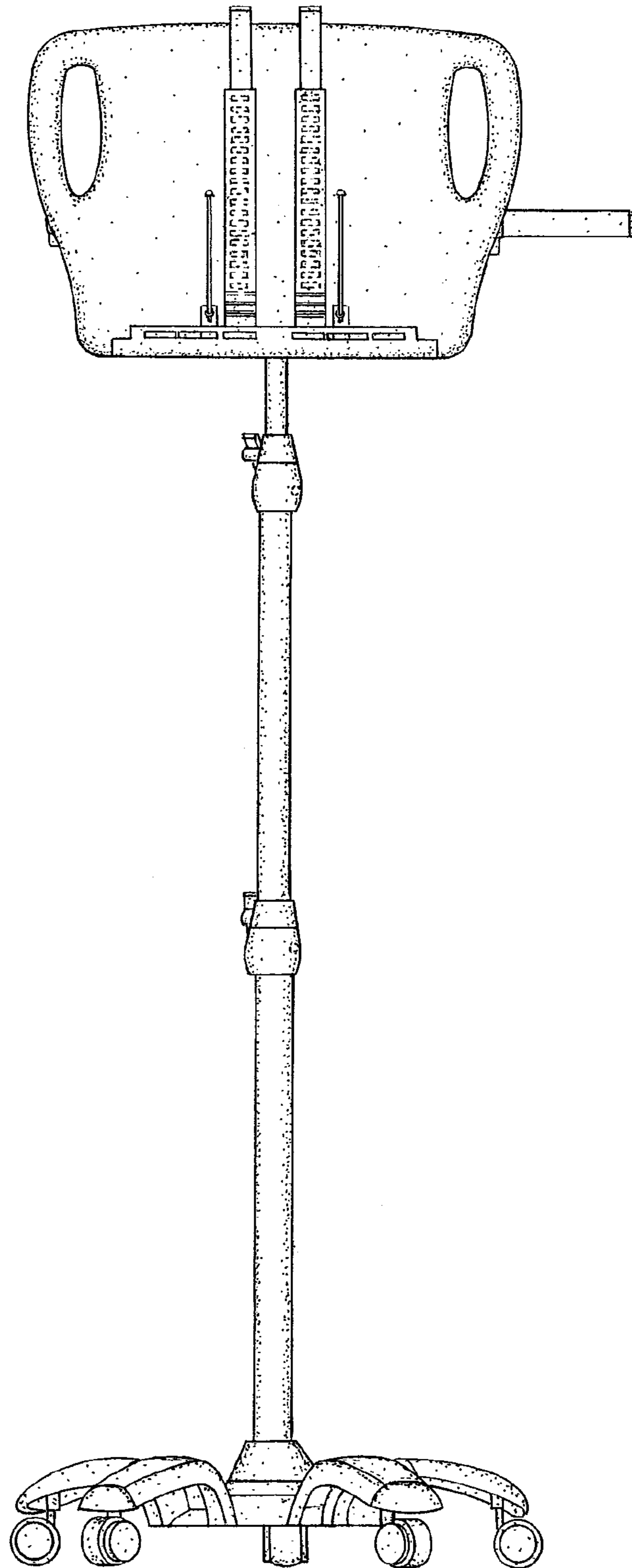


Fig. 6

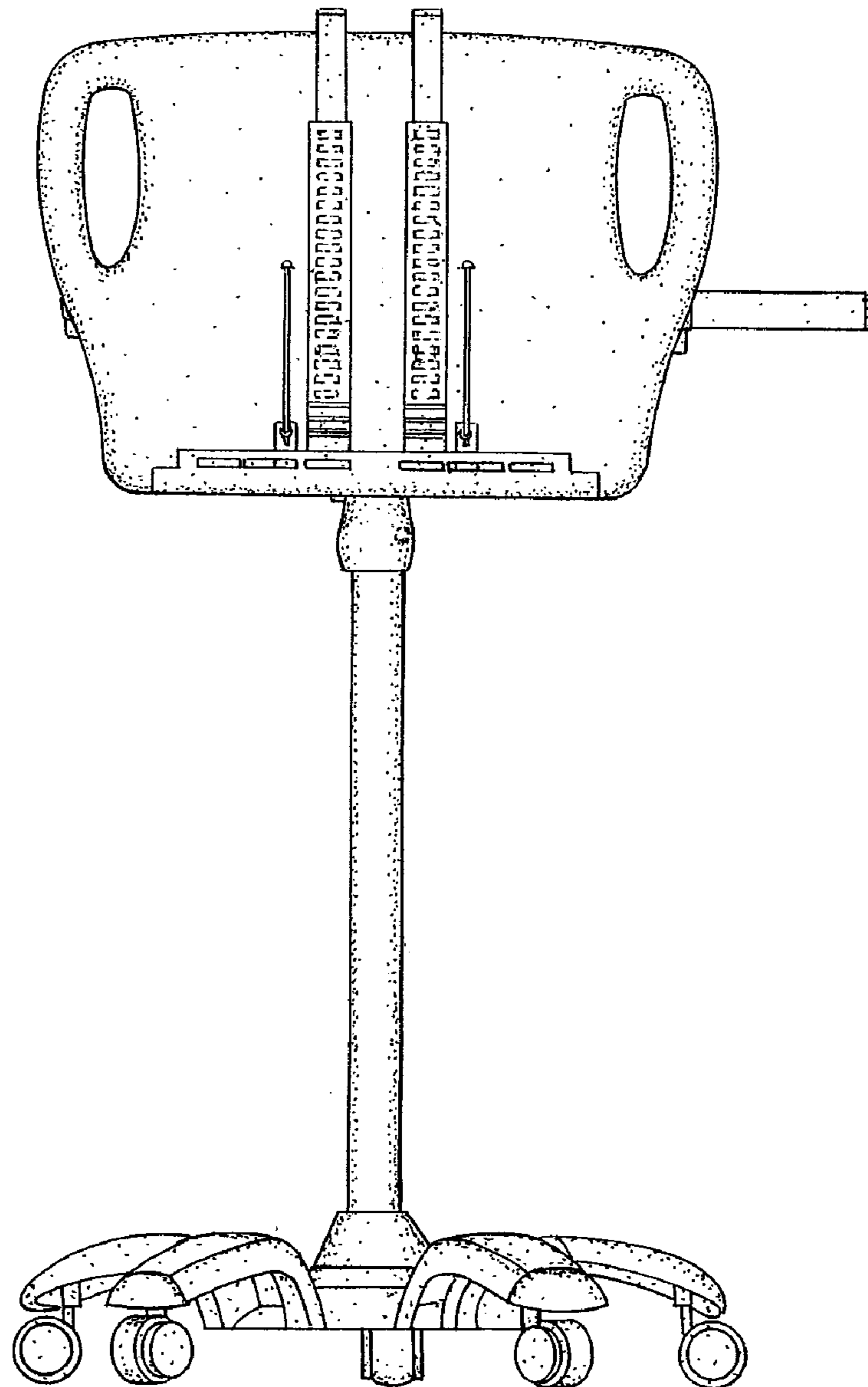


Fig. 7

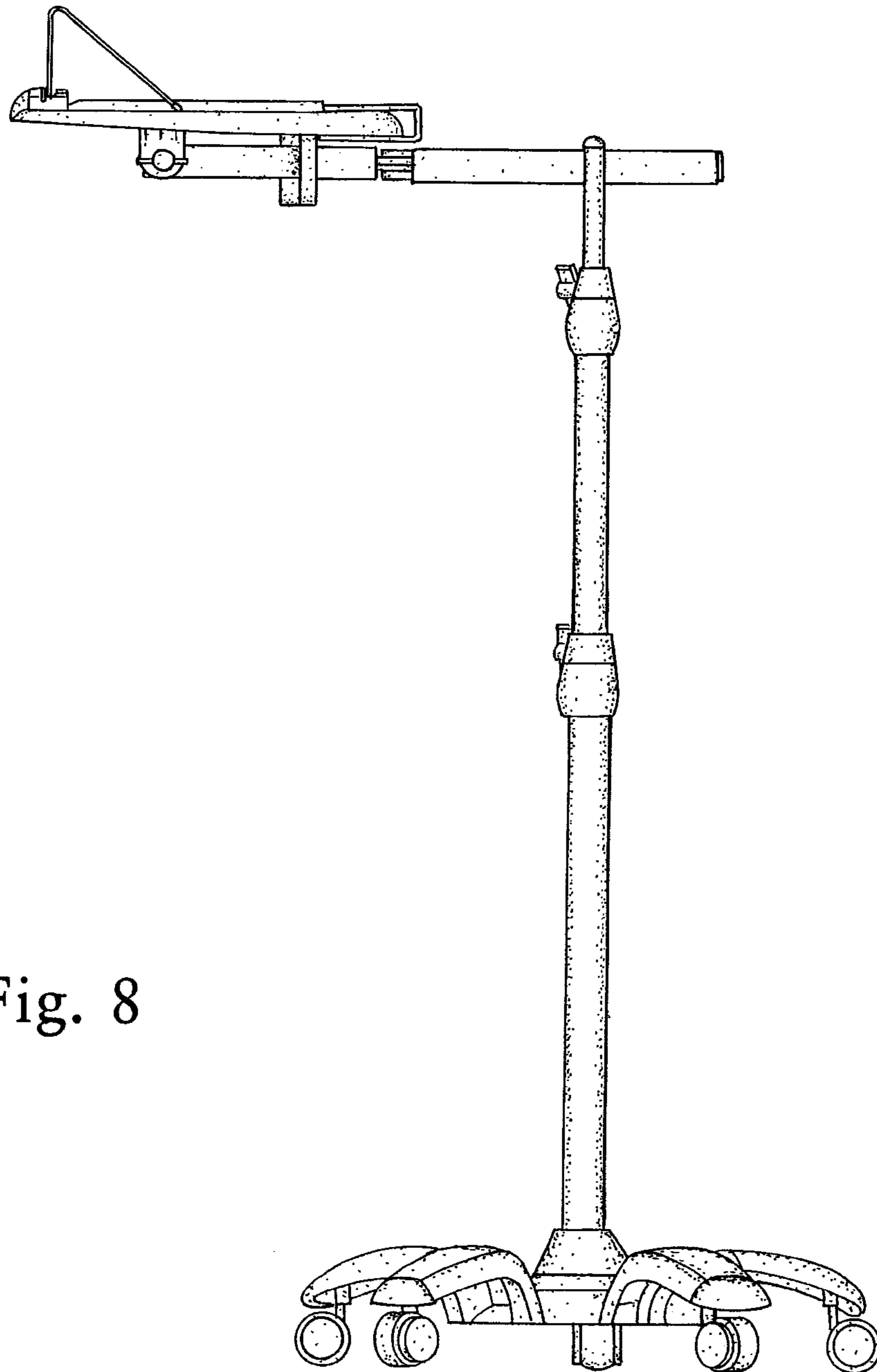


Fig. 8

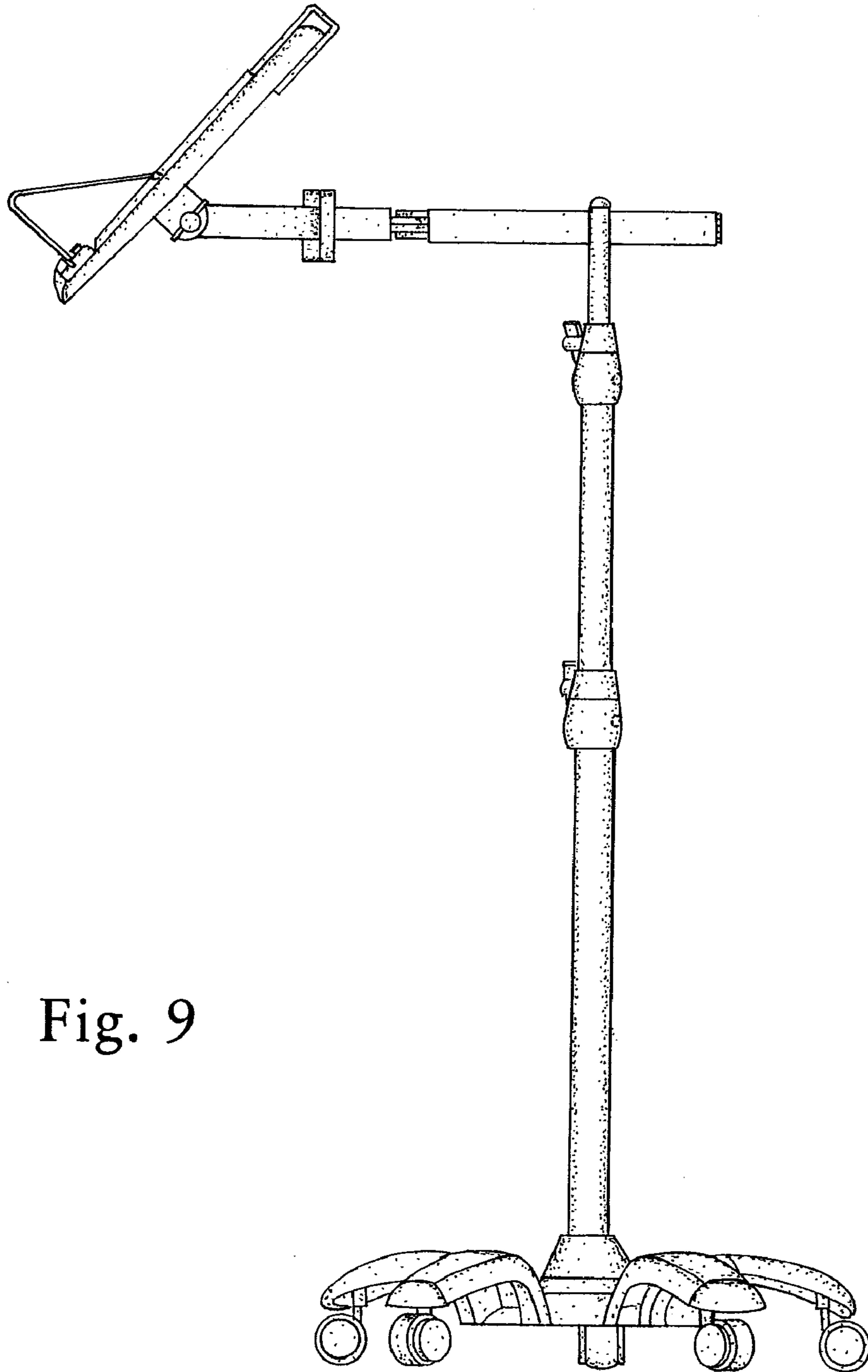


Fig. 9

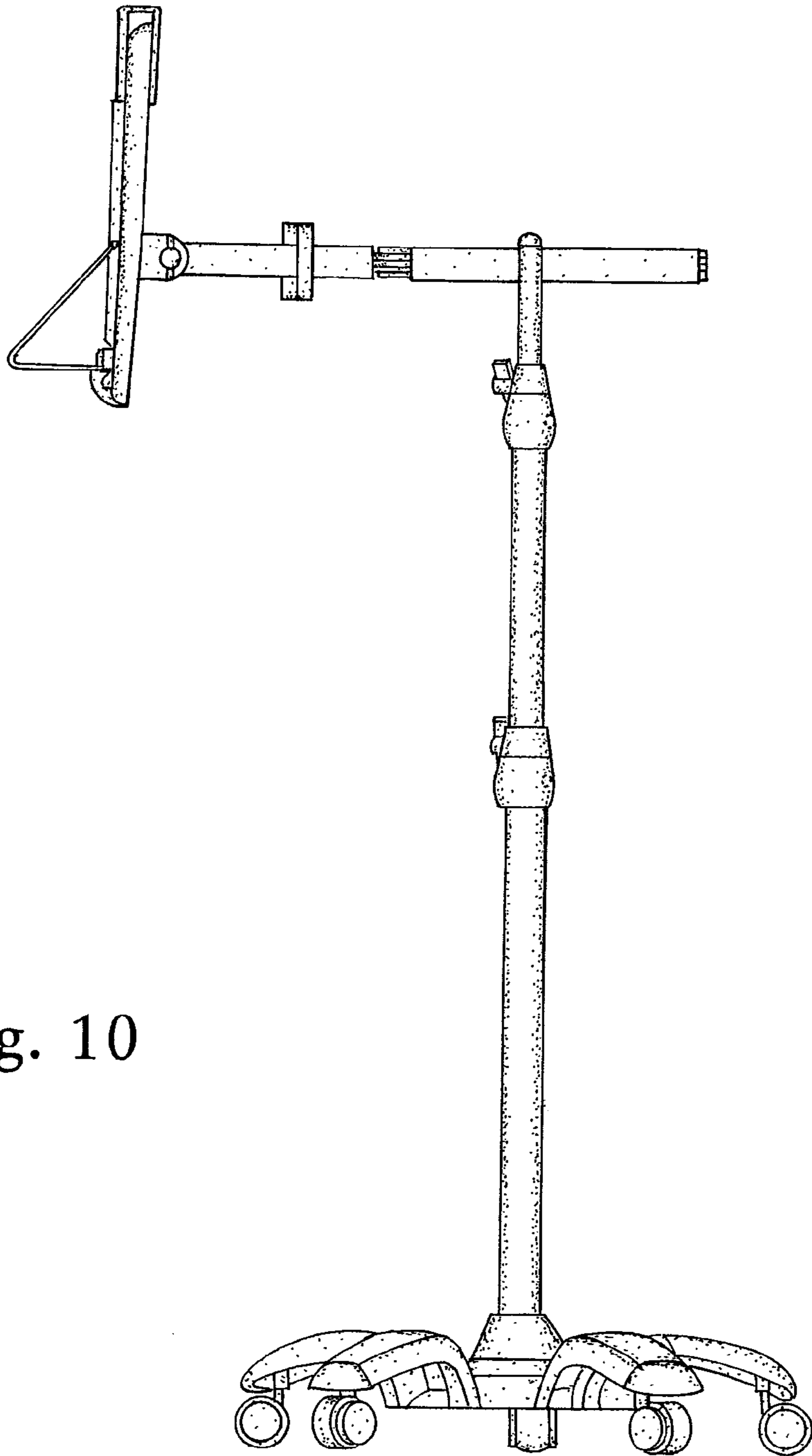


Fig. 10

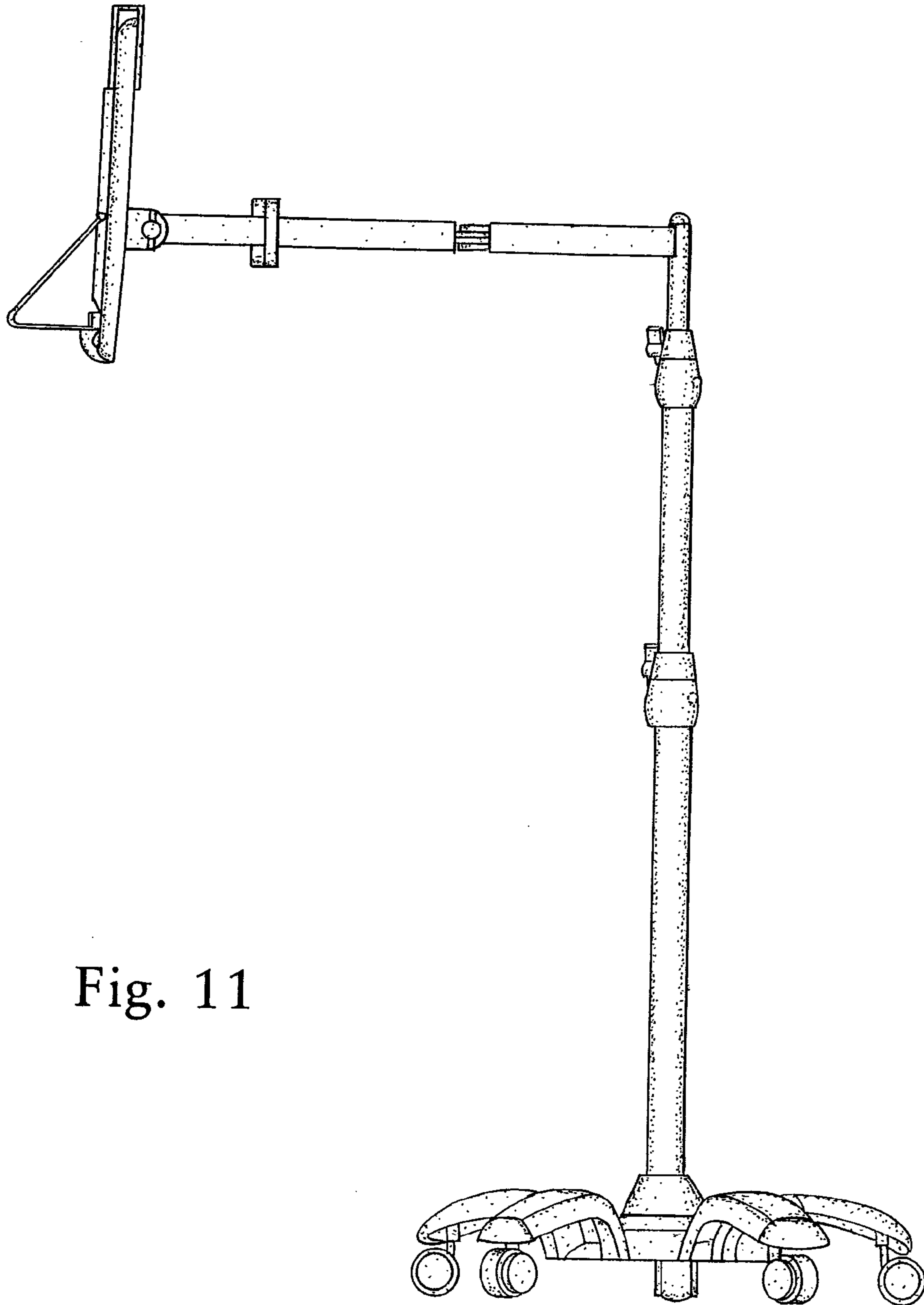


Fig. 11

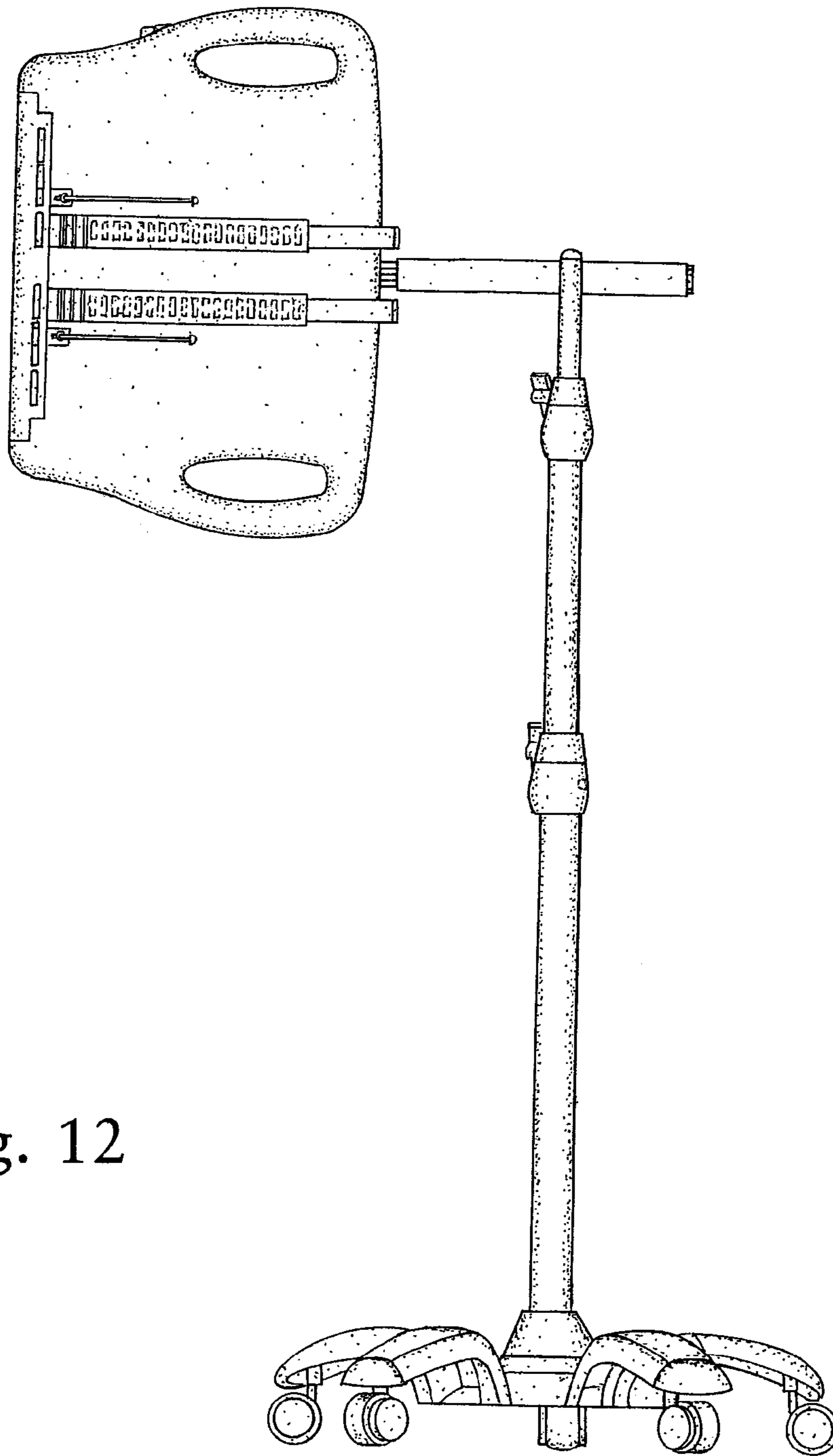


Fig. 12

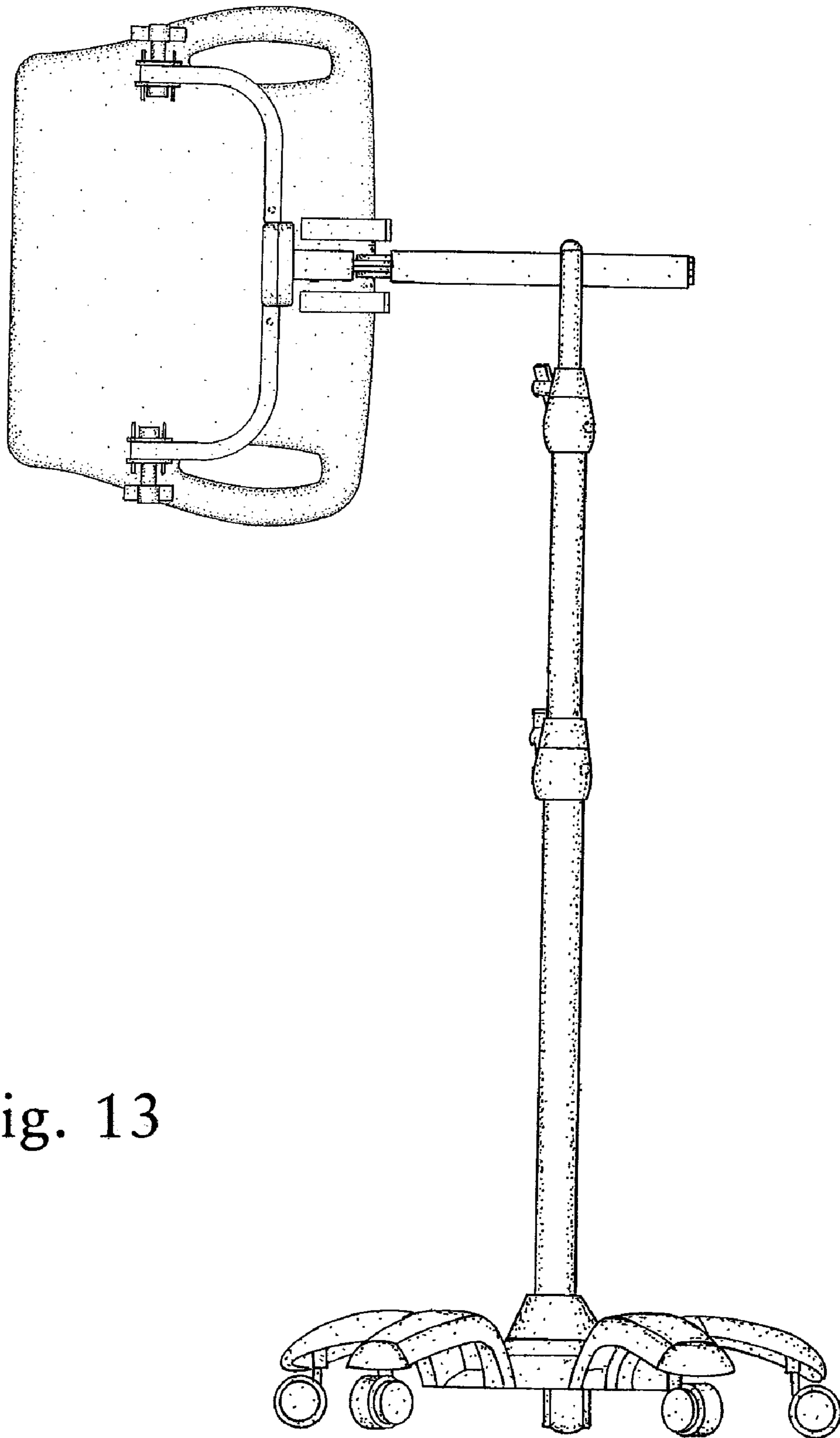


Fig. 13

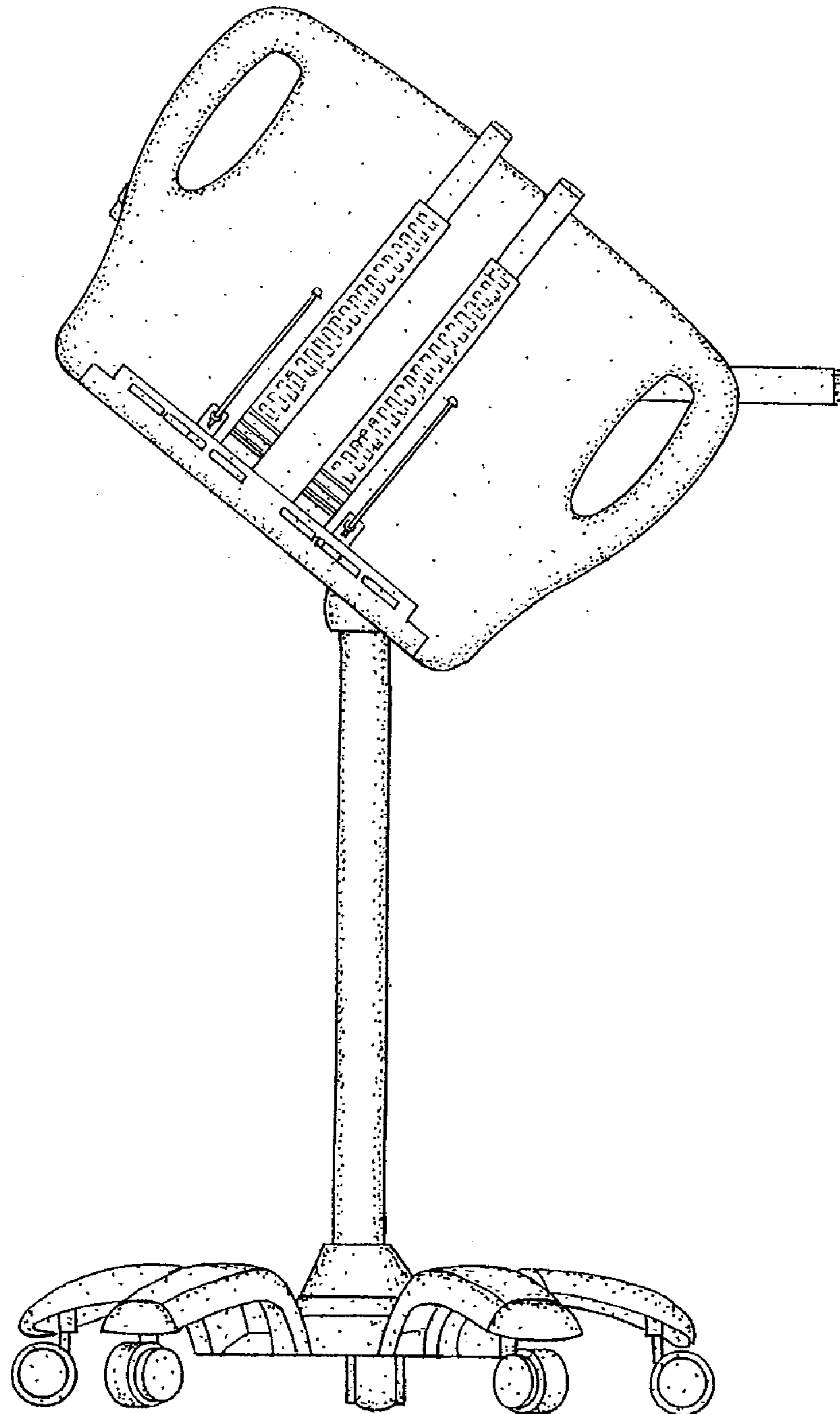


Fig. 14