



US00D618003S

(12) **United States Design Patent**
Powell et al.

(10) **Patent No.:** **US D618,003 S**
(45) **Date of Patent:** **** Jun. 22, 2010**

(54) **HIGH CHAIR**

(76) Inventors: **David Hillary Powell**, c/o Brother Max Limited, 56 Wise Lane, London (GB) NW7 2RG; **Matthew Peter Tidnam**, c/o Brother Max Limited, 56 Wise Lane, London (GB) NW7 2RG

(**) Term: **14 Years**

(21) Appl. No.: **29/351,773**

(22) Filed: **Dec. 11, 2009**

(51) **LOC (9) Cl.** **06-01**

(52) **U.S. Cl.** **D6/339**

(58) **Field of Classification Search** D6/333, D6/335, 339, 491, 500-502; D12/129; D21/412, D21/419; 280/30, 31; 5/94, 98.1, 99.1, 101, 5/102, 105, 655; 297/183.1, 183.2, 183.3, 297/183.4, 184.13, 184.15, 184.17, 250.1, 297/255, 256.1, 256.15, 256.16, 174; 24/200, 24/211

See application file for complete search history.

(56) **References Cited**

U.S. PATENT DOCUMENTS

D337,665 S * 7/1993 Tsuchiya D6/339
D341,109 S * 11/1993 Chuang D12/130
D344,640 S * 3/1994 Chuang D6/339
D353,493 S * 12/1994 Schwartzkopf et al. D6/333
D361,672 S * 8/1995 Mariol et al. D6/339
D365,936 S * 1/1996 Haut et al. D6/339
D368,593 S * 4/1996 Cone, II D6/339

D373,029 S * 8/1996 Mariol et al. D6/339
D386,911 S * 12/1997 Perego D6/339
5,951,102 A * 9/1999 Poulson et al. 297/130
D426,965 S * 6/2000 Wu D6/339
D428,715 S * 8/2000 Brevi D6/339
D478,219 S * 8/2003 Greger D6/339
D483,958 S * 12/2003 Chen D6/339
6,932,426 B2 * 8/2005 Greger 297/149
7,185,949 B2 * 3/2007 Finell 297/148
D543,712 S * 6/2007 Cheng D6/339
D600,927 S * 9/2009 Lake et al. D6/339
D601,818 S * 10/2009 Lake et al. D6/339

FOREIGN PATENT DOCUMENTS

WO WO2009/004298 1/2009

* cited by examiner

Primary Examiner—Sandra Snapp

(57) **CLAIM**

The ornamental design for a high chair, as shown.

DESCRIPTION

FIG. 1 is a front perspective view of a high chair showing our new design;

FIG. 2 is a front elevational view thereof;

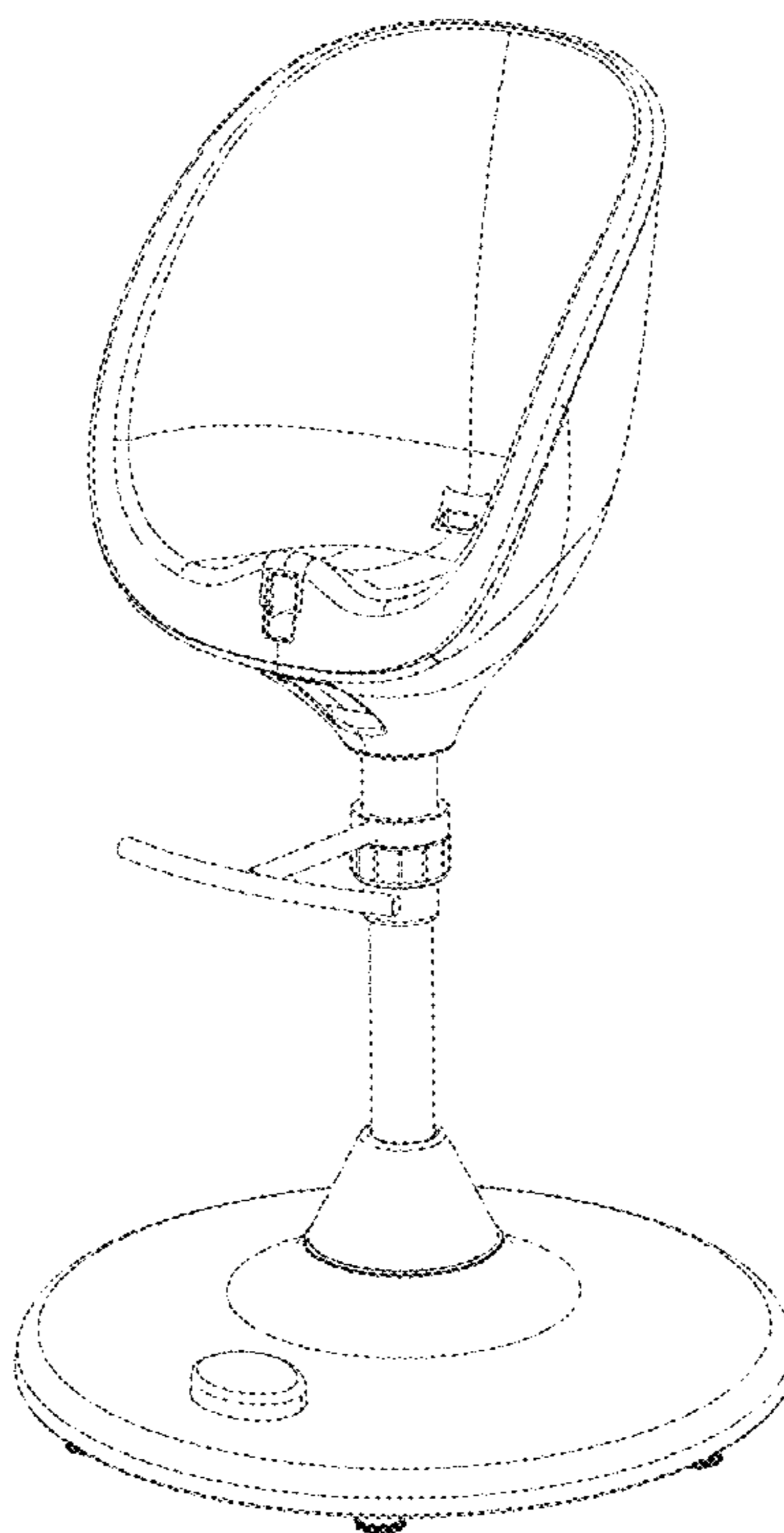
FIG. 3 is a rear perspective view thereof;

FIG. 4 is a rear elevational view thereof;

FIG. 5 is a side elevational view thereof; and,

FIG. 6 is a top plan view thereof.

1 Claim, 6 Drawing Sheets



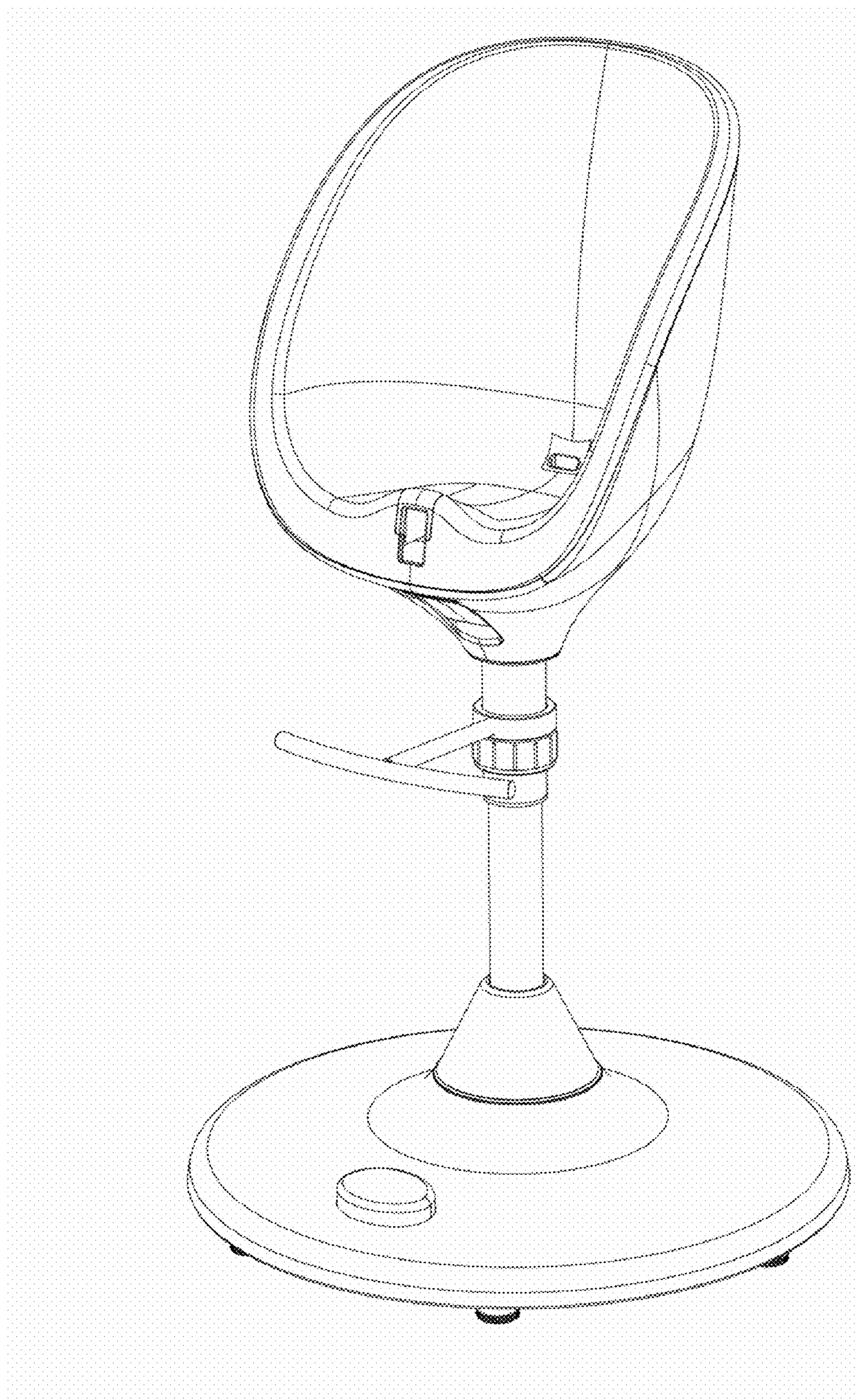


Fig. 1

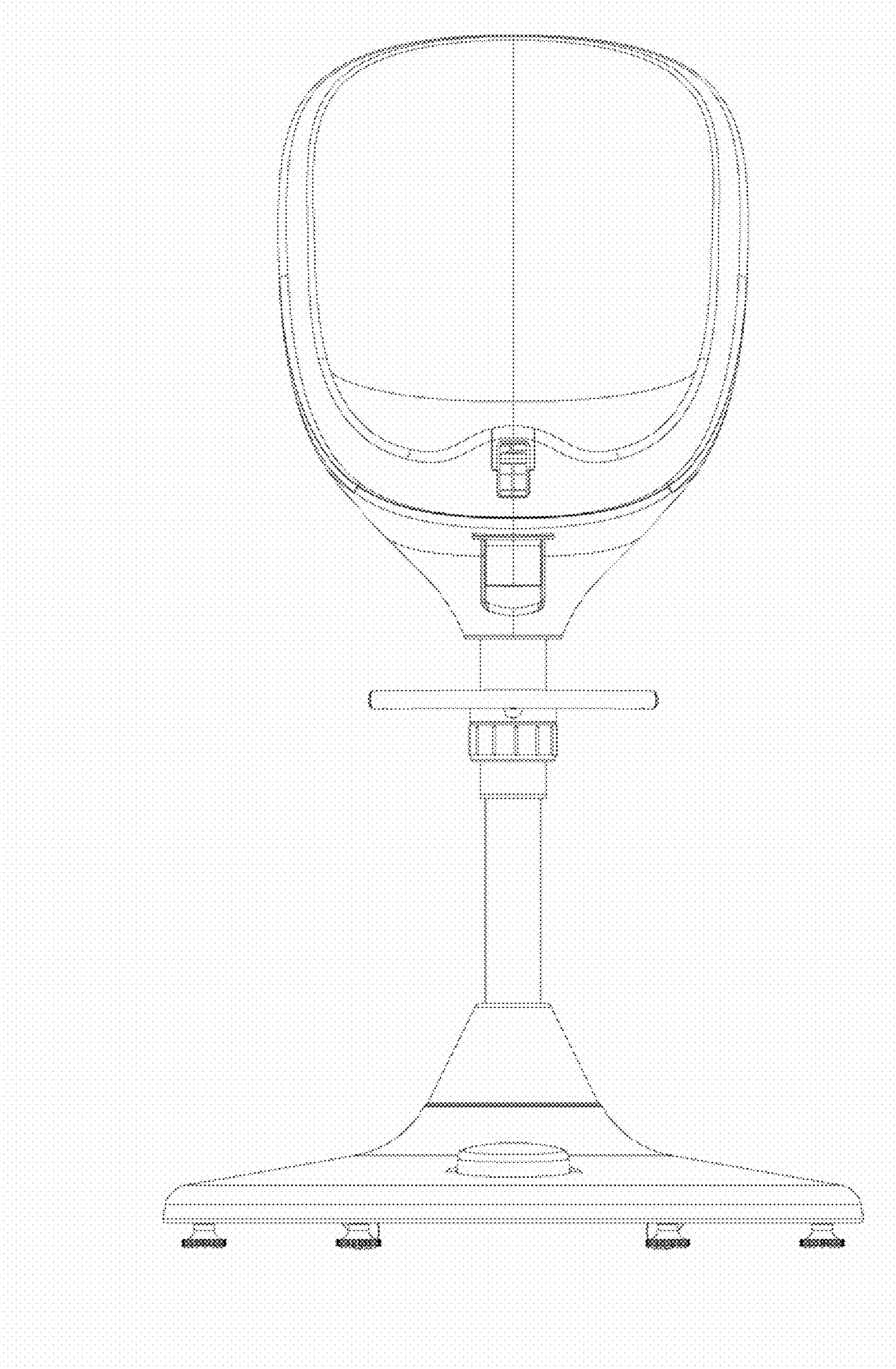


Fig. 2

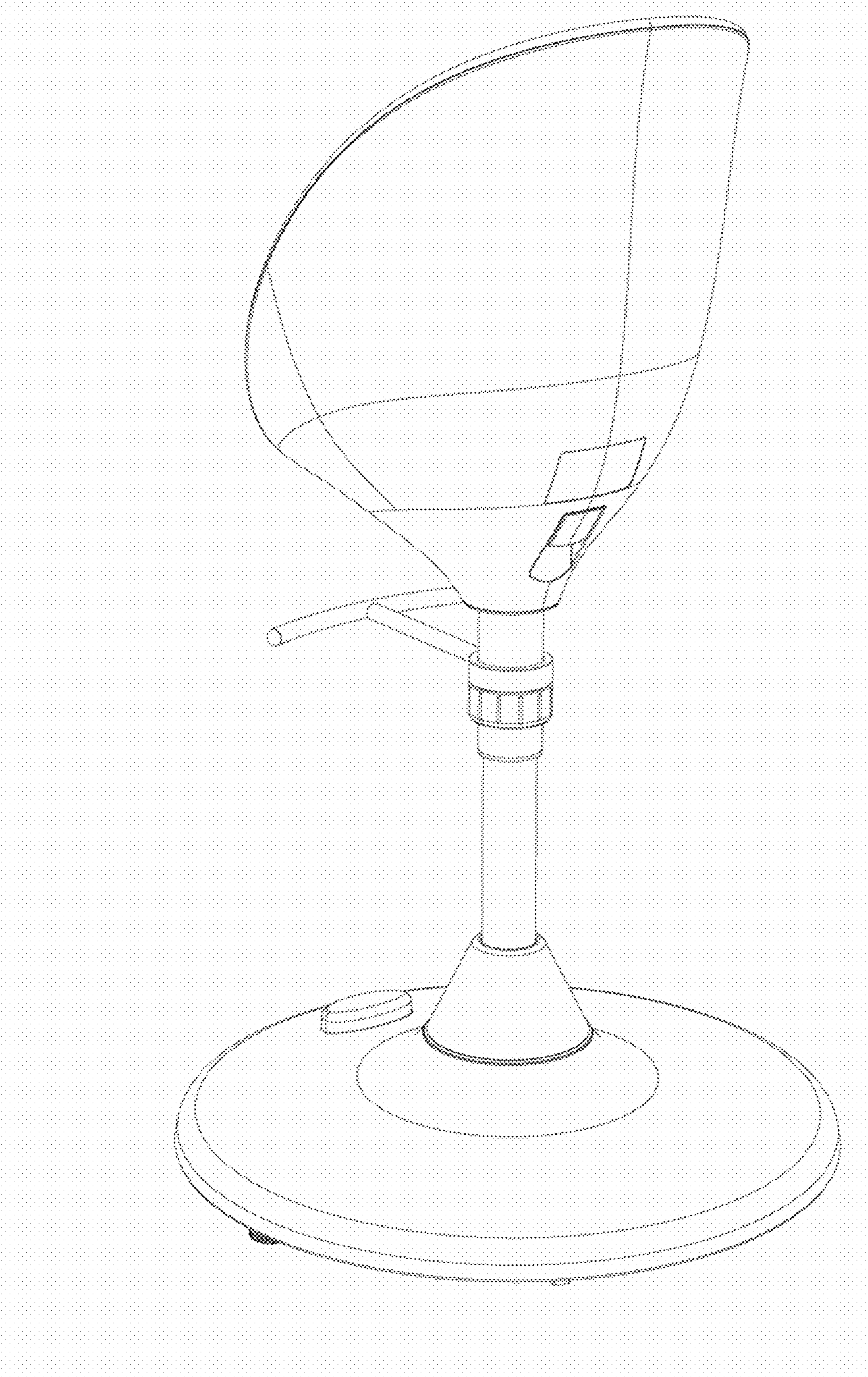


Fig. 3

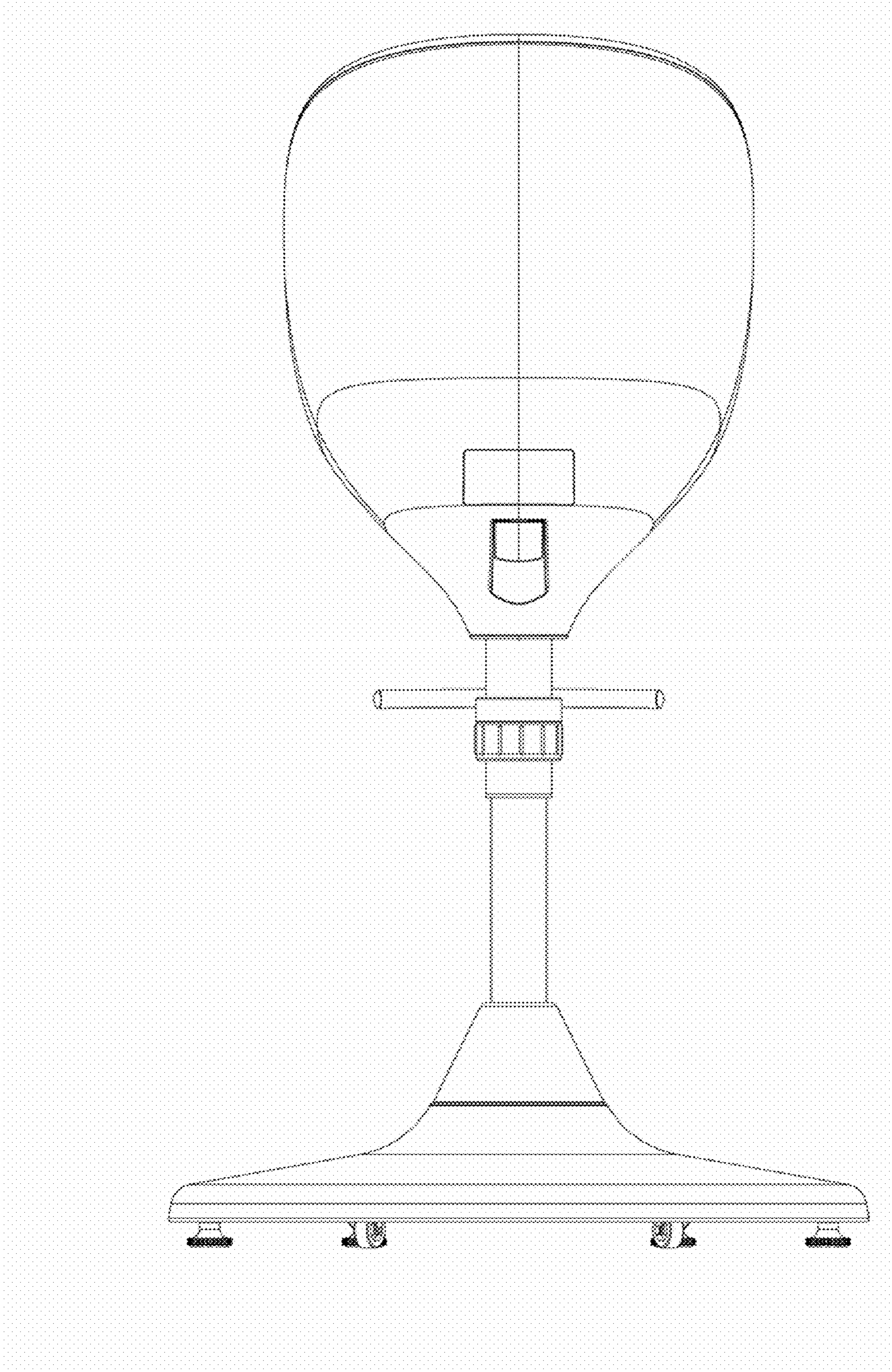


Fig. 4

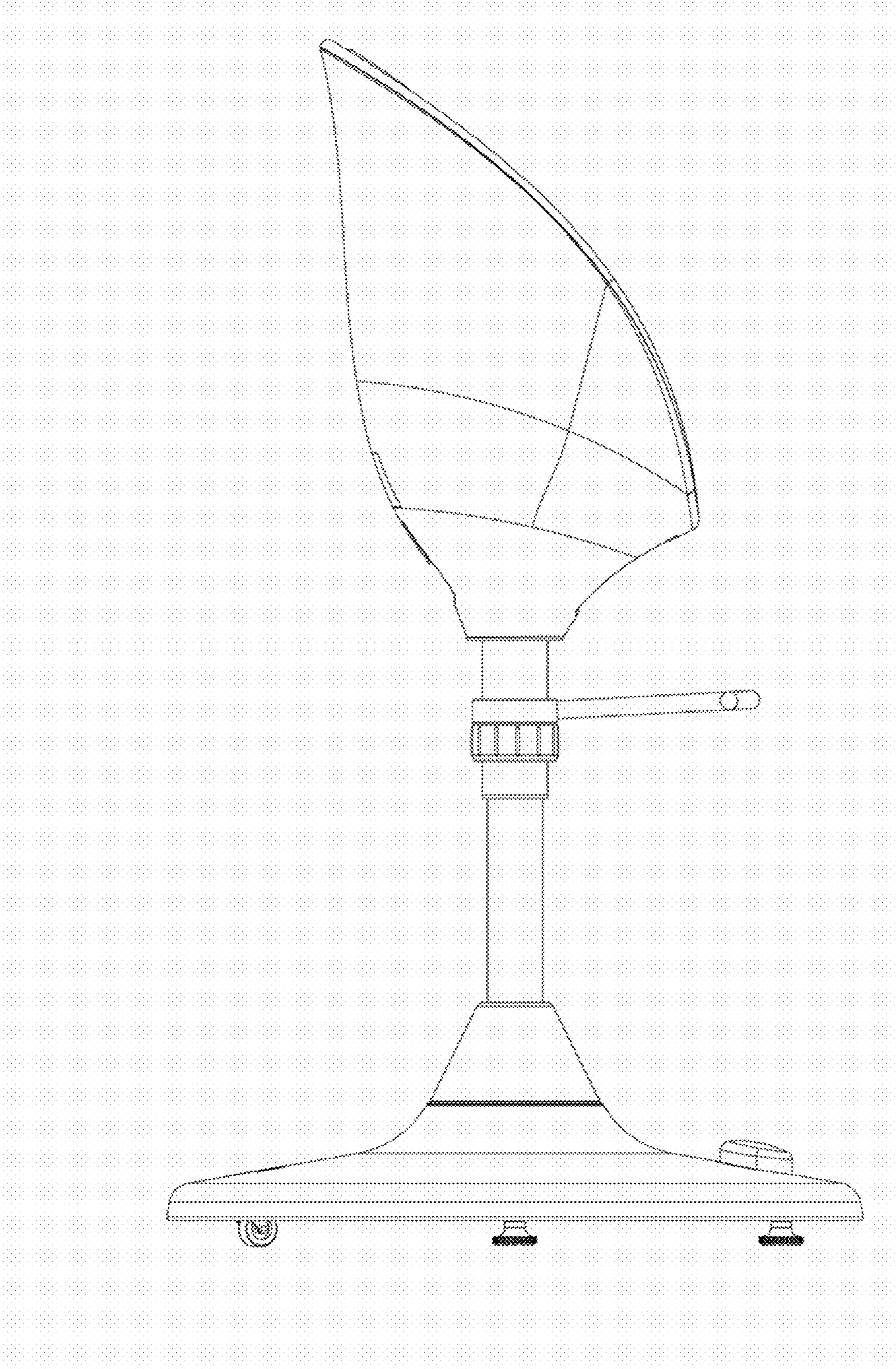


Fig. 5

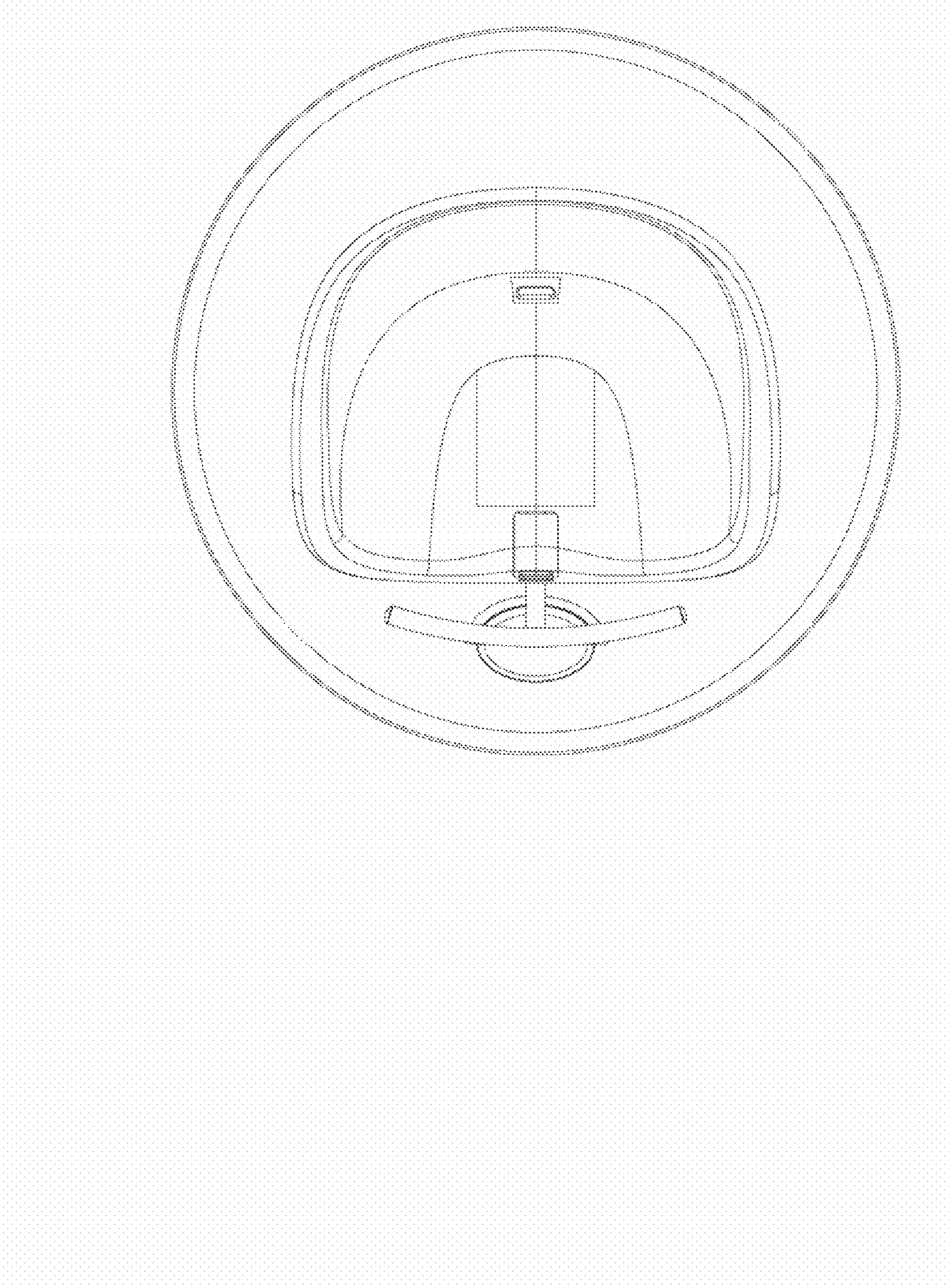


Fig. 6