



US00D618002S

(12) **United States Design Patent**  
**Powell et al.**

(10) **Patent No.:** **US D618,002 S**  
(45) **Date of Patent:** **\*\* Jun. 22, 2010**

(54) **HIGH CHAIR**

(76) Inventors: **David Hillary Powell**, c/o Brother Max Limited, 56 Wise Lane, London (GB) NW7 2RG; **Matthew Peter Tidnam**, c/o Brother Max Limited, 56 Wise Lane, London (GB) NW7 2RG

(\*\*) Term: **14 Years**

(21) Appl. No.: **29/351,771**

(22) Filed: **Dec. 11, 2009**

(51) **LOC (9) Cl.** ..... **06-01**

(52) **U.S. Cl.** ..... **D6/339**

(58) **Field of Classification Search** ..... D6/333, D6/335, 339, 491, 500-502; D12/129; D21/412, D21/419; 280/30, 31; 5/94, 98.1, 99.1, 101, 5/102, 105, 655; 297/183.1, 183.2, 183.3, 297/183.4, 184.13, 184.15, 184.17, 250.1, 297/255, 256.1, 256.15, 256.16, 174; 24/200, 24/211

See application file for complete search history.

(56) **References Cited**

**U.S. PATENT DOCUMENTS**

- D337,665 S \* 7/1993 Tsuchiya ..... D6/339
- D341,109 S \* 11/1993 Chuang ..... D12/130
- D344,640 S \* 3/1994 Chuang ..... D6/339
- D353,493 S \* 12/1994 Schwartzkopf et al. .... D6/333
- D361,672 S \* 8/1995 Mariol et al. .... D6/339
- D365,936 S \* 1/1996 Haut et al. .... D6/339
- D368,593 S \* 4/1996 Cone, II ..... D6/339

- D373,029 S \* 8/1996 Mariol et al. .... D6/339
- D386,911 S \* 12/1997 Perego ..... D6/339
- 5,951,102 A \* 9/1999 Poulson et al. .... 297/130
- D426,965 S \* 6/2000 Wu ..... D6/339
- D428,715 S \* 8/2000 Brevi ..... D6/339
- D478,219 S \* 8/2003 Greger ..... D6/339
- D483,958 S \* 12/2003 Chen ..... D6/339
- 6,932,426 B2 \* 8/2005 Greger ..... 297/149
- 7,185,949 B2 \* 3/2007 Finell ..... 297/148
- D543,712 S \* 6/2007 Cheng ..... D6/339
- D600,927 S \* 9/2009 Lake et al. .... D6/339
- D601,818 S \* 10/2009 Lake et al. .... D6/339

**FOREIGN PATENT DOCUMENTS**

WO WO2009/004298 1/2009

\* cited by examiner

*Primary Examiner*—Sandra Snapp

(57) **CLAIM**

The ornamental design for a high chair, as shown.

**DESCRIPTION**

FIG. 1 is a front perspective view of a high chair showing our new design;

FIG. 2 is a front elevational view thereof;

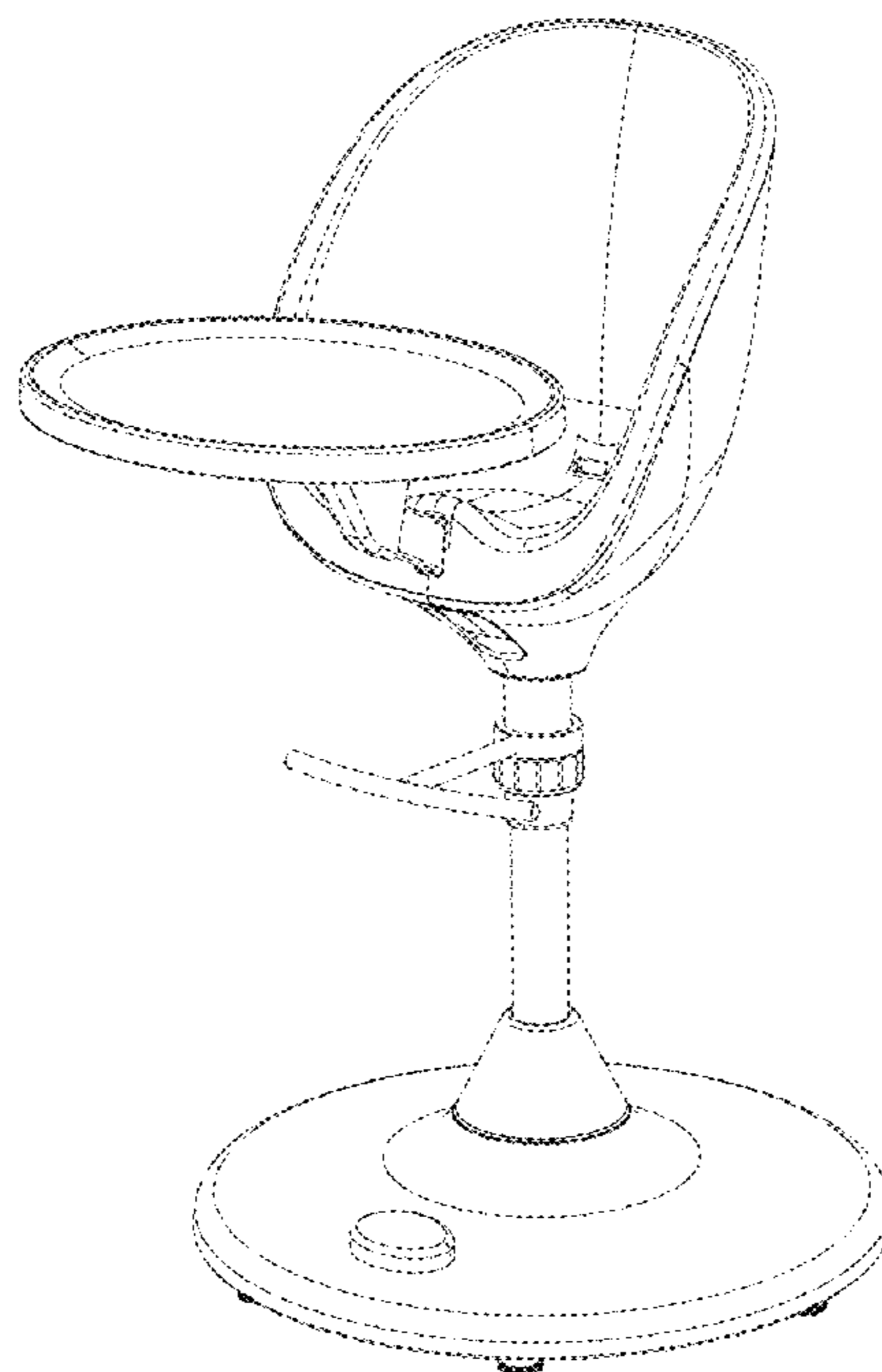
FIG. 3 is a rear perspective view thereof;

FIG. 4 is a rear elevational view thereof;

FIG. 5 is a side elevational view thereof; and,

FIG. 6 is a top plan view thereof.

**1 Claim, 6 Drawing Sheets**



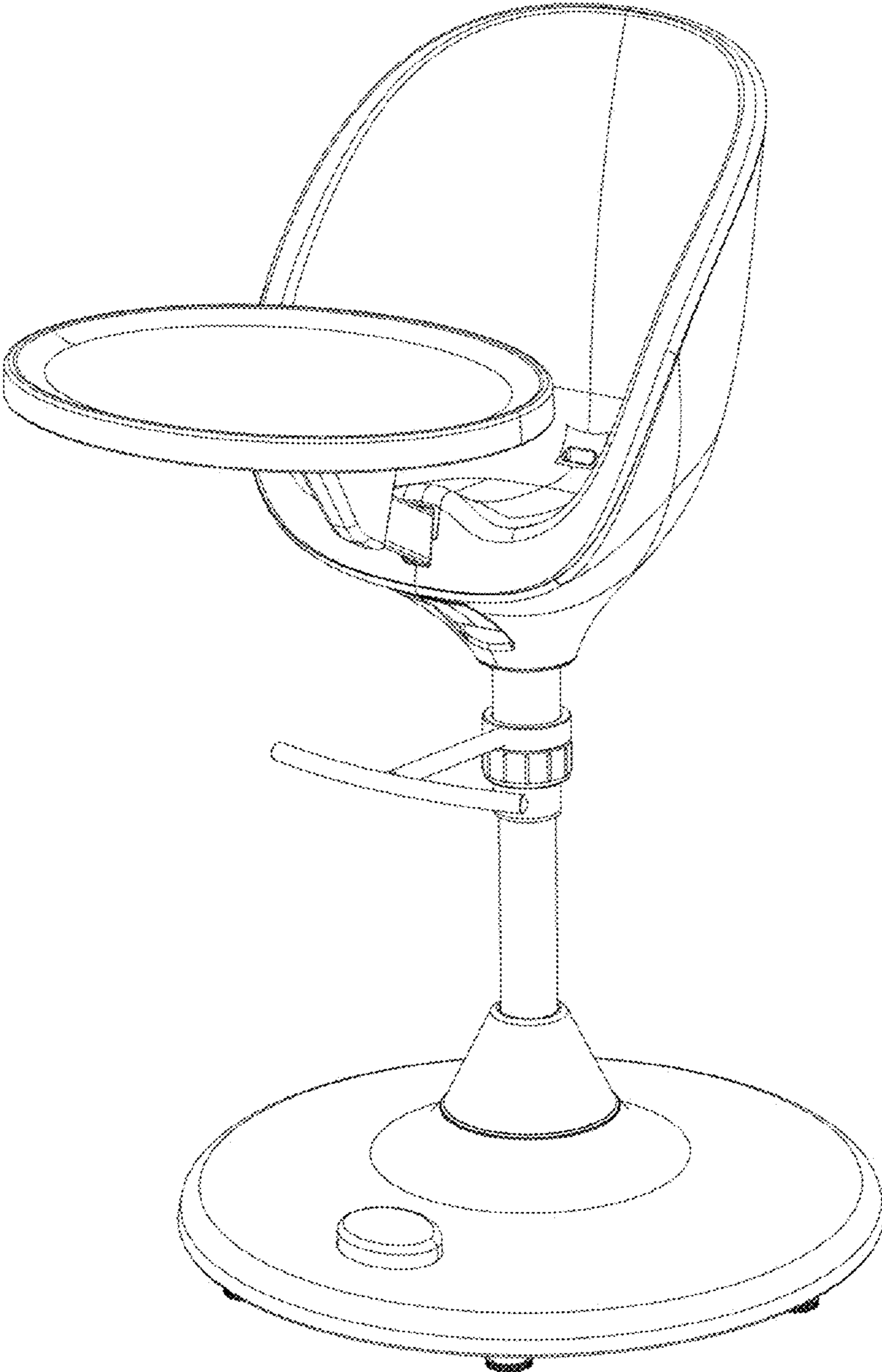


Fig. 1

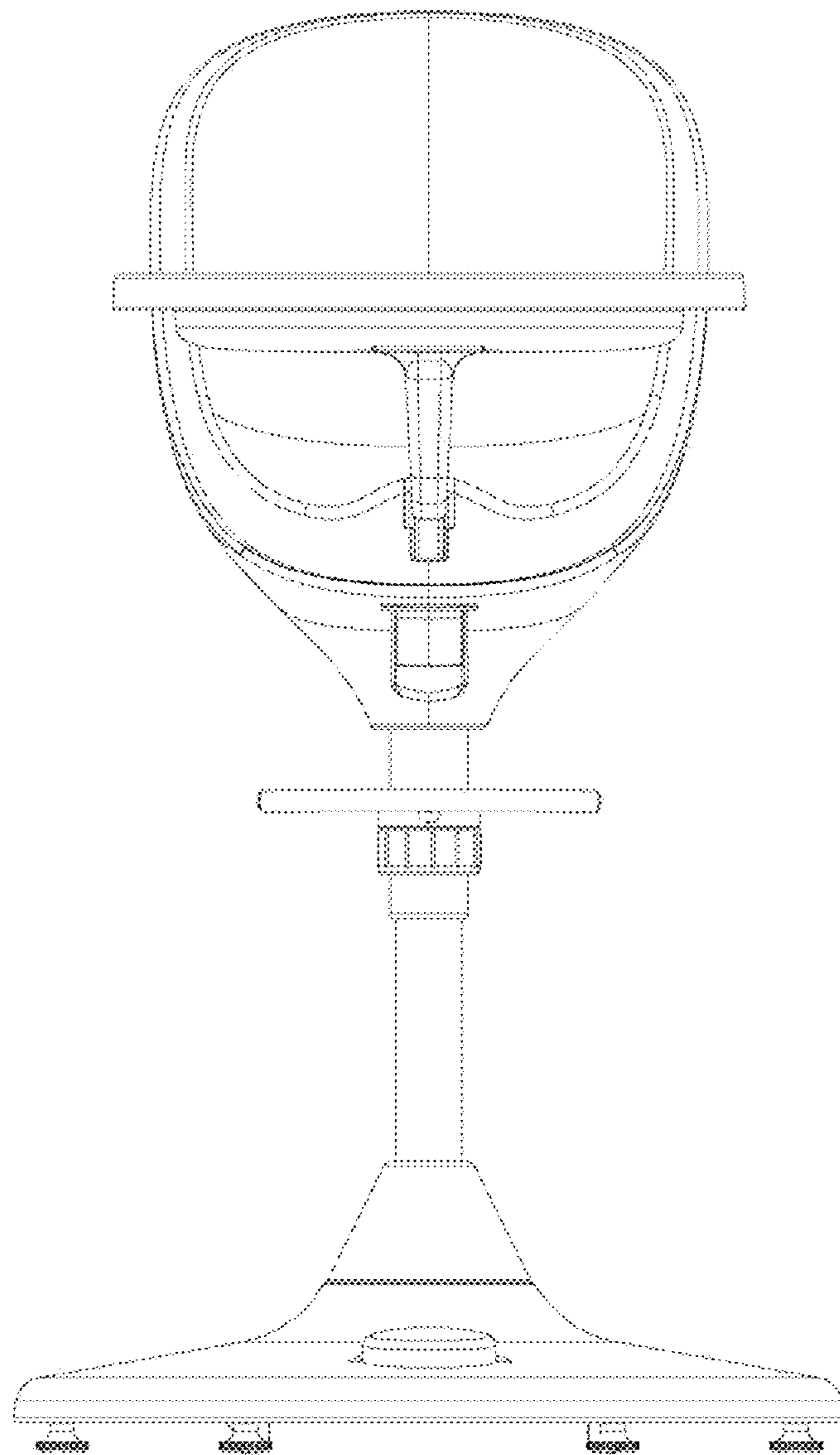


Fig. 2

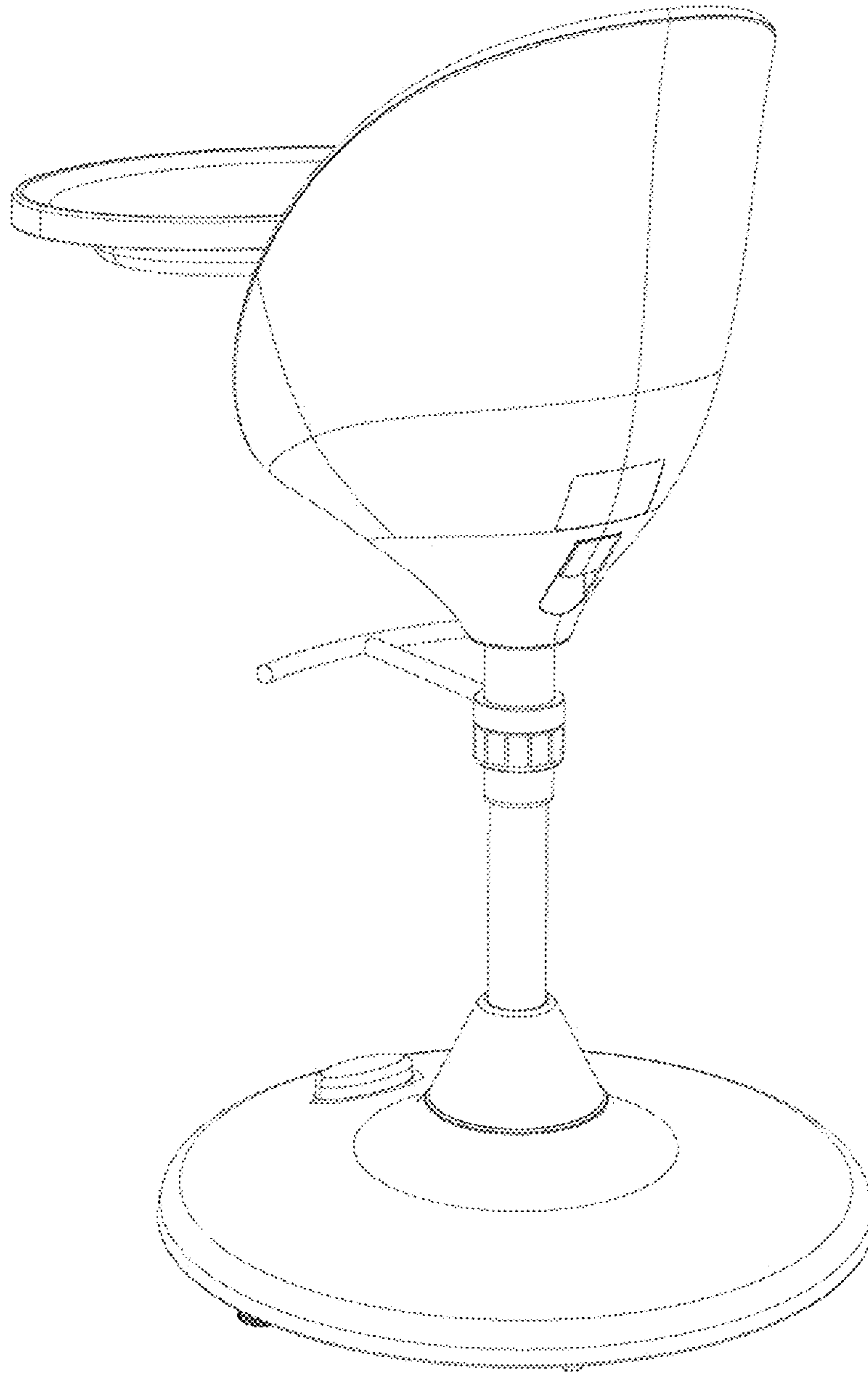


Fig. 3

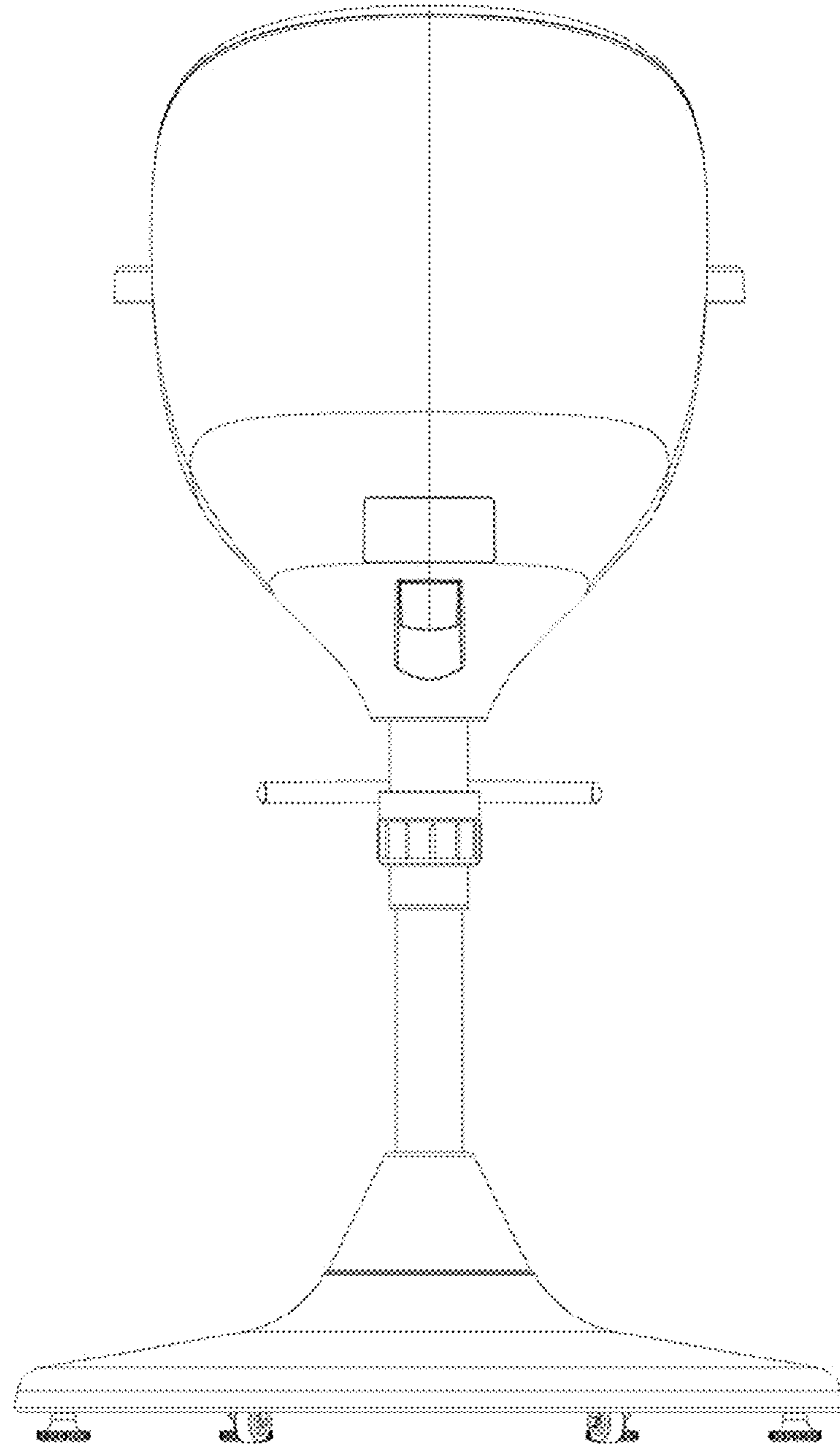


Fig. 4

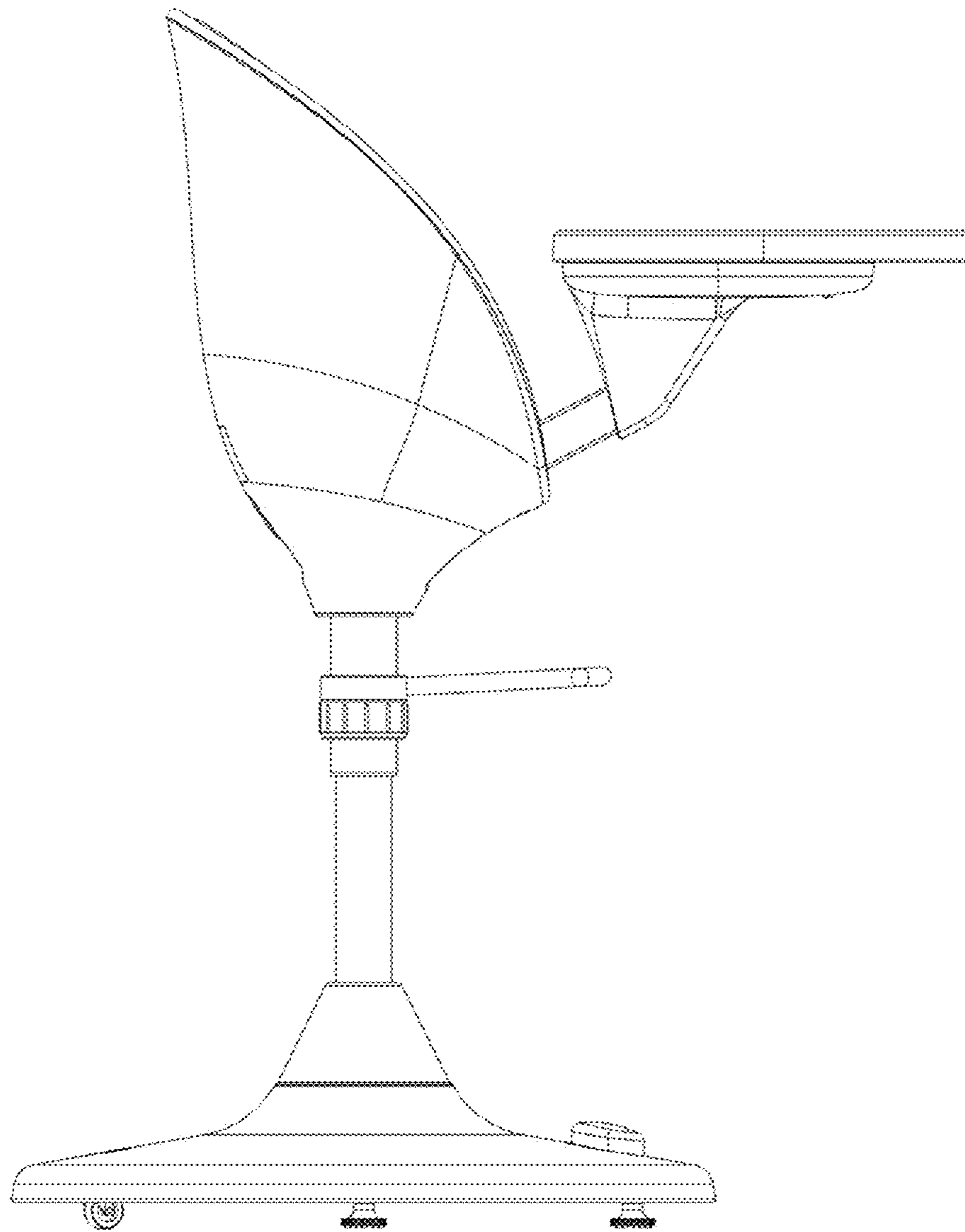


Fig. 5

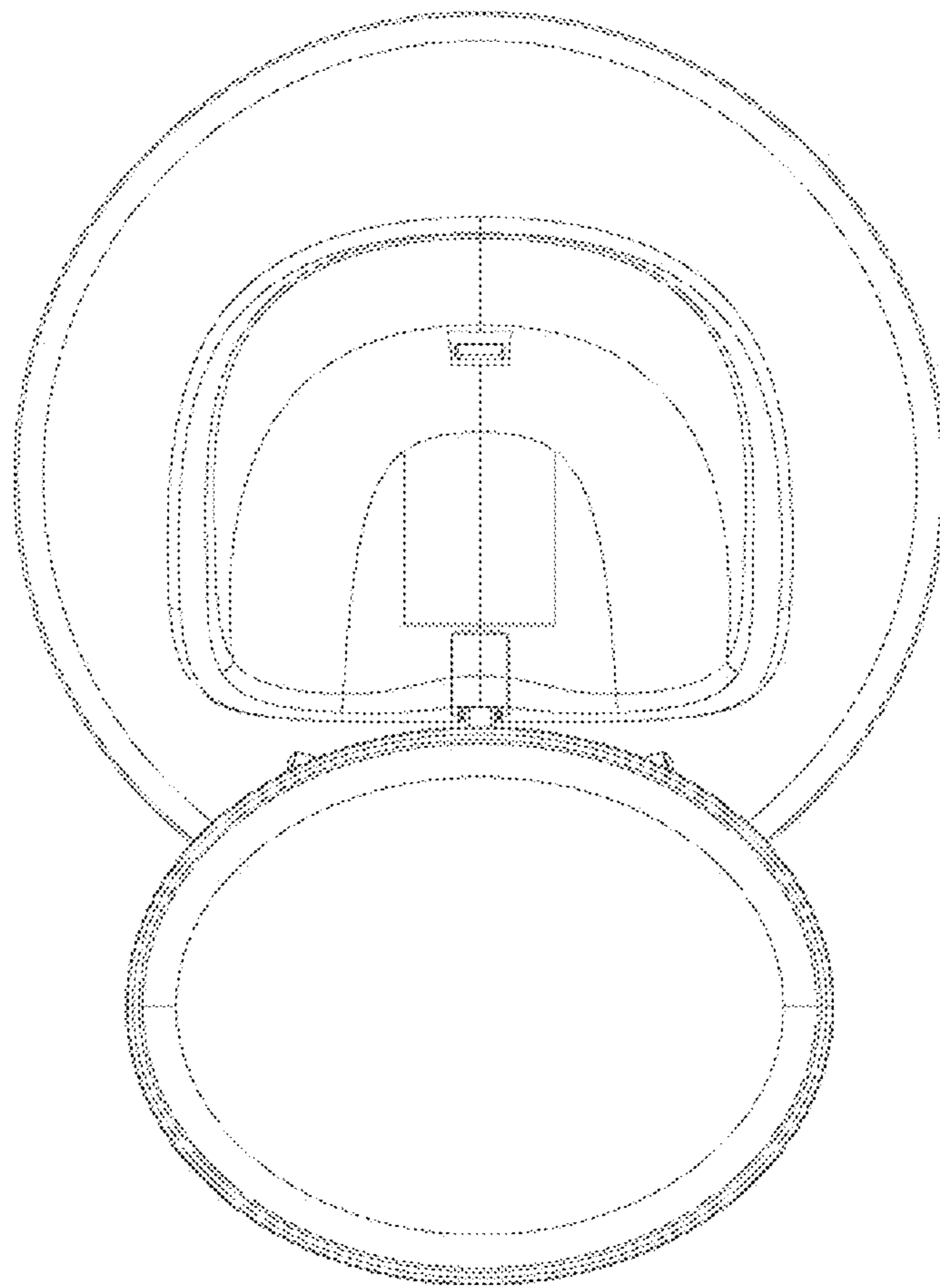


Fig. 6