



US00D618001S

(12) **United States Design Patent**
Bearup et al.

(10) **Patent No.:** **US D618,001 S**
(45) **Date of Patent:** **** Jun. 22, 2010**

(54) **HIGH CHAIR**

(75) Inventors: **Adam D. Bearup**, Lakewood, CO (US);
Joseph F. Fiore, Jr., Lebanon, PA (US)

(73) Assignee: **Wonderland Nurserygoods Co., Ltd.**
(TW)

(**) Term: **14 Years**

(21) Appl. No.: **29/351,239**

(22) Filed: **Dec. 2, 2009**

Related U.S. Application Data

(63) Continuation of application No. 29/335,324, filed on
Apr. 14, 2009.

(51) **LOC (9) Cl.** **06-01**

(52) **U.S. Cl.** **D6/339**

(58) **Field of Classification Search** D6/333,
D6/335, 339, 491, 500-502; D12/129; D21/412,
D21/419; 280/30, 31; 5/94, 98.1, 99.1, 101,
5/102, 105, 655; 297/183.1, 183.2, 183.3,
297/183.4, 184.13, 184.15, 184.17, 250.1,
297/255, 256.1, 256.15, 256.16; 24/200,
24/211

See application file for complete search history.

(56) **References Cited**

U.S. PATENT DOCUMENTS

D328,196 S * 7/1992 Takahashi et al. D6/339

D365,449 S * 12/1995 Wood D6/333
D386,911 S * 12/1997 Perego D6/339
D426,965 S * 6/2000 Wu D6/339
D428,715 S * 8/2000 Brevi D6/339
D454,007 S * 3/2002 Huang D6/339
D543,712 S * 6/2007 Cheng D6/339
D575,538 S * 8/2008 Tomasi D6/339
D579,673 S * 11/2008 Mancuso et al. D6/339
D594,667 S * 6/2009 Wang D6/339

* cited by examiner

Primary Examiner—Sandra Snapp

(74) *Attorney, Agent, or Firm*—Ostrolenk Faber LLP

(57) **CLAIM**

The ornamental design for a high chair, as shown.

DESCRIPTION

FIG. 1 is a front, side, perspective view of a high chair showing my new design;

FIG. 2 is a front view thereof;

FIG. 3 is a rear view thereof;

FIG. 4 is a left side view thereof;

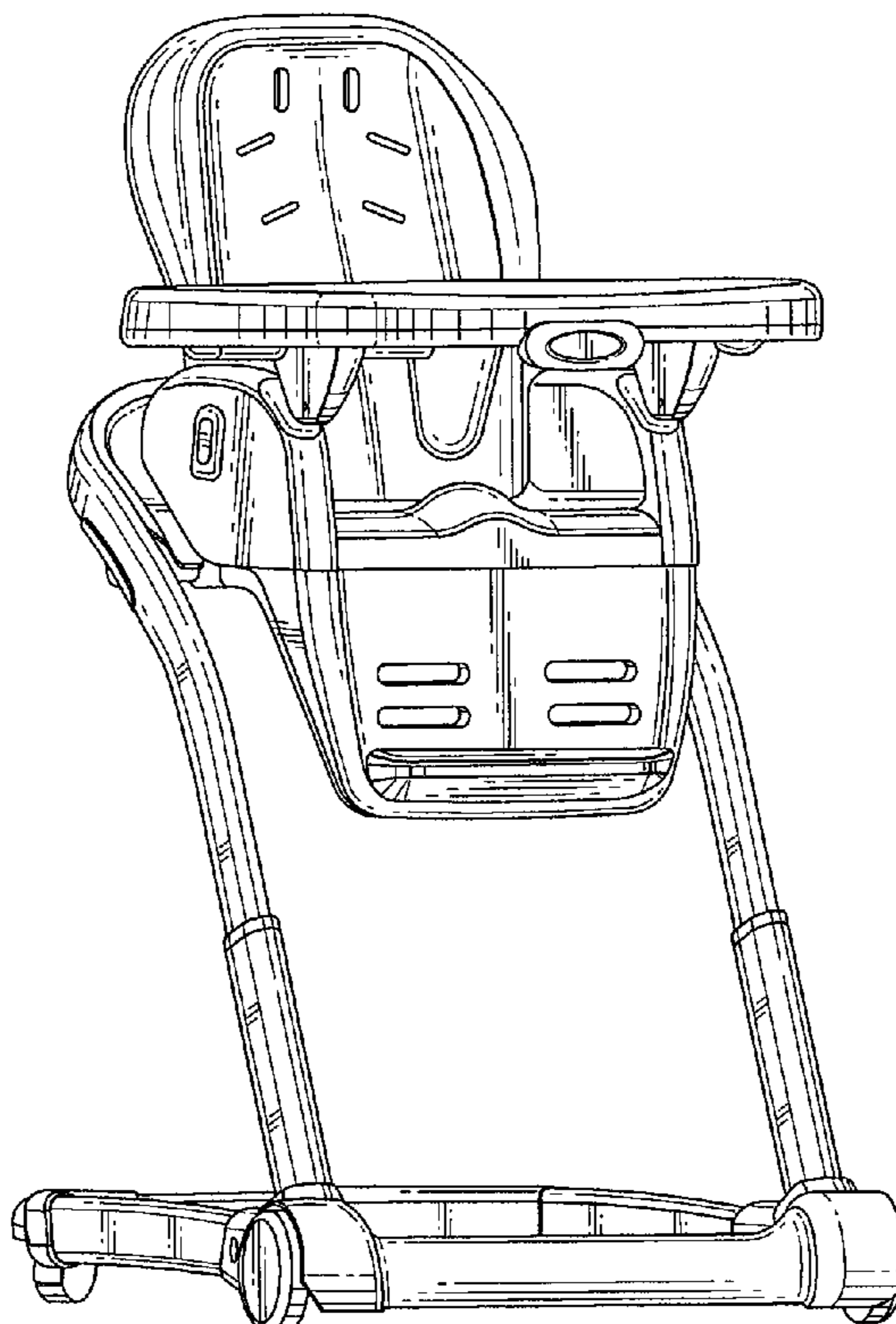
FIG. 5 is a right side view thereof;

FIG. 6 is a top view thereof; and,

FIG. 7 is a bottom view thereof.

The broken line showing of elements of the high chair is for the purpose of illustrating environmental structure and forms no part of the claimed design.

1 Claim, 6 Drawing Sheets



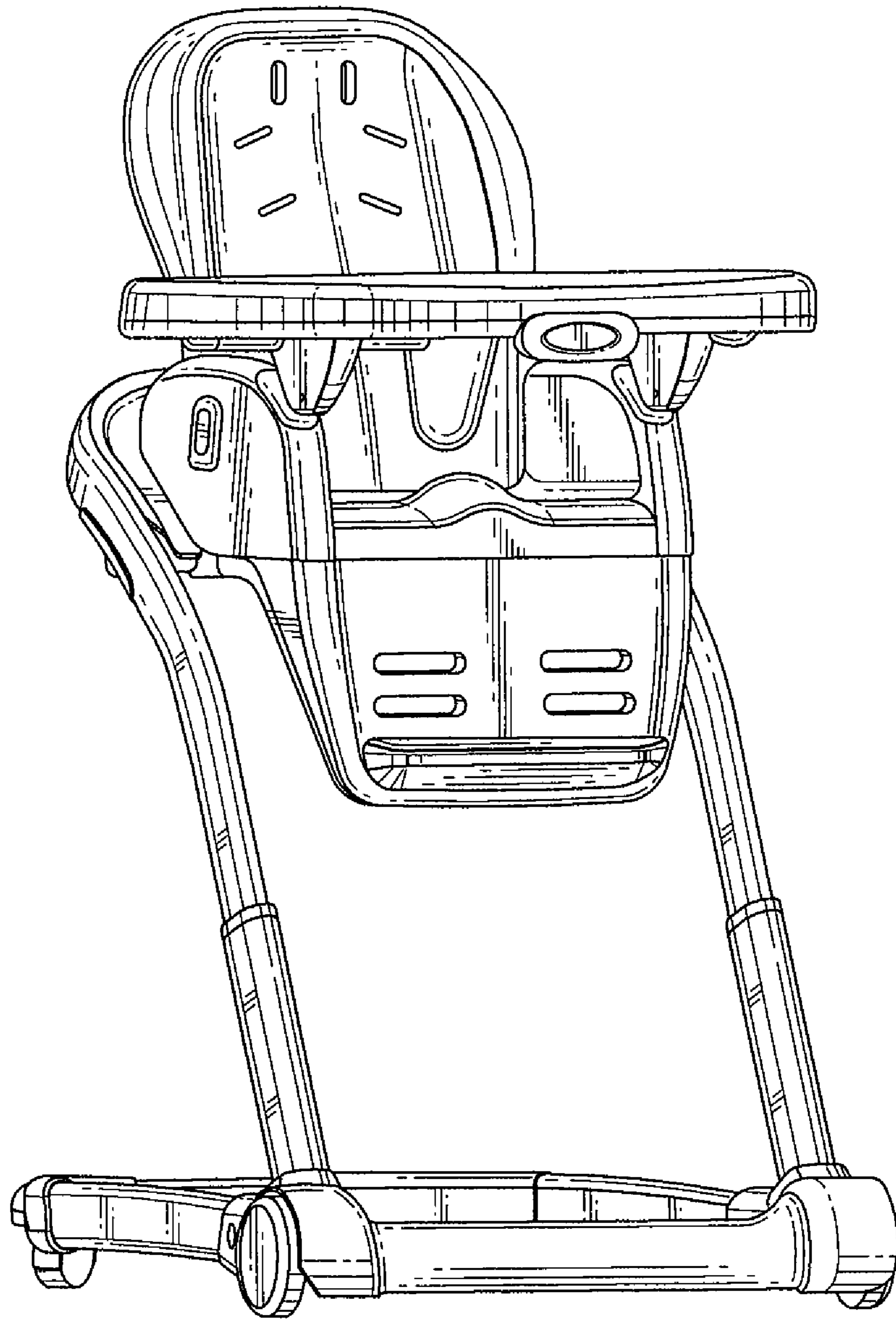


FIG. 1

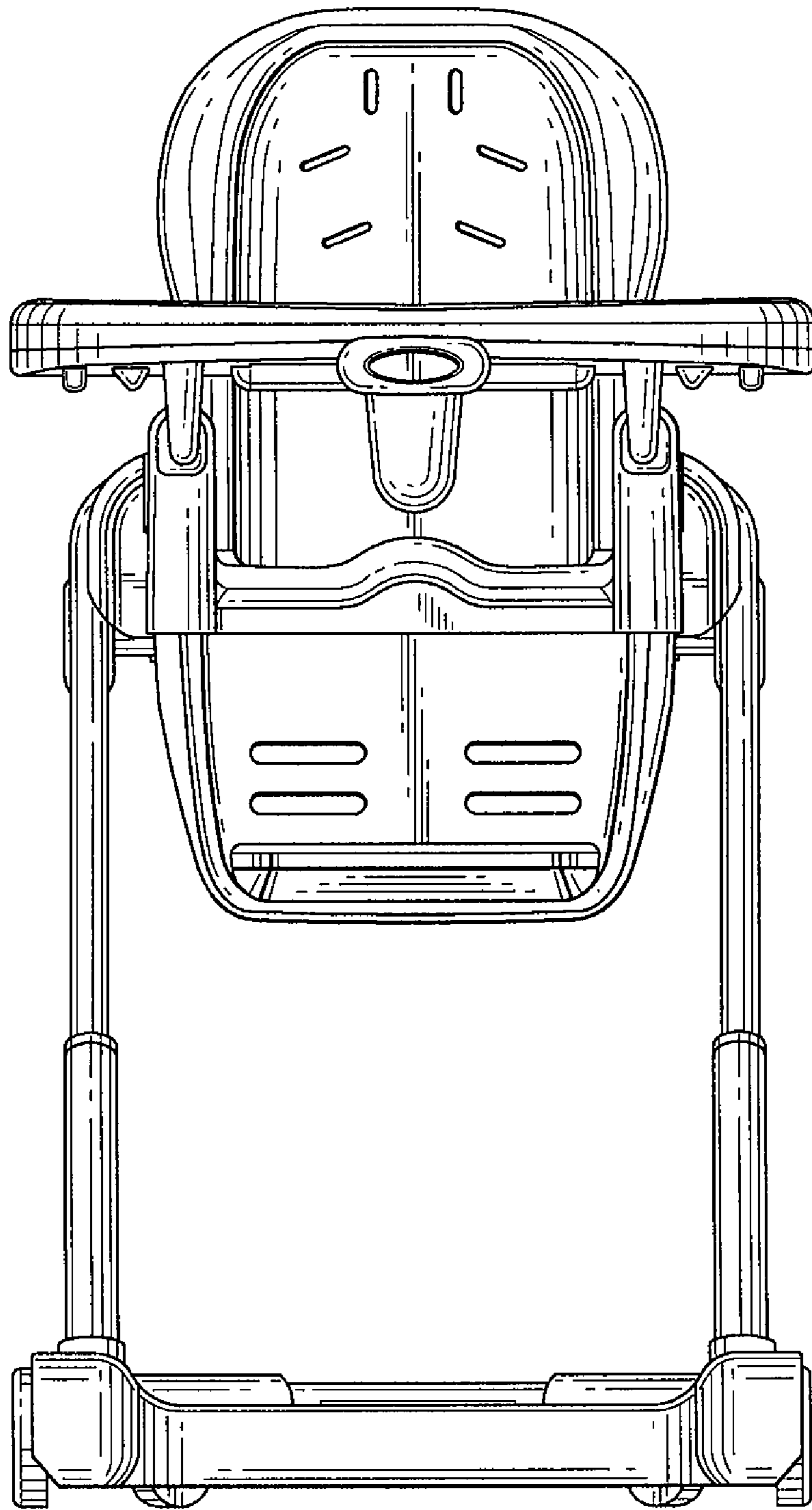


FIG. 2

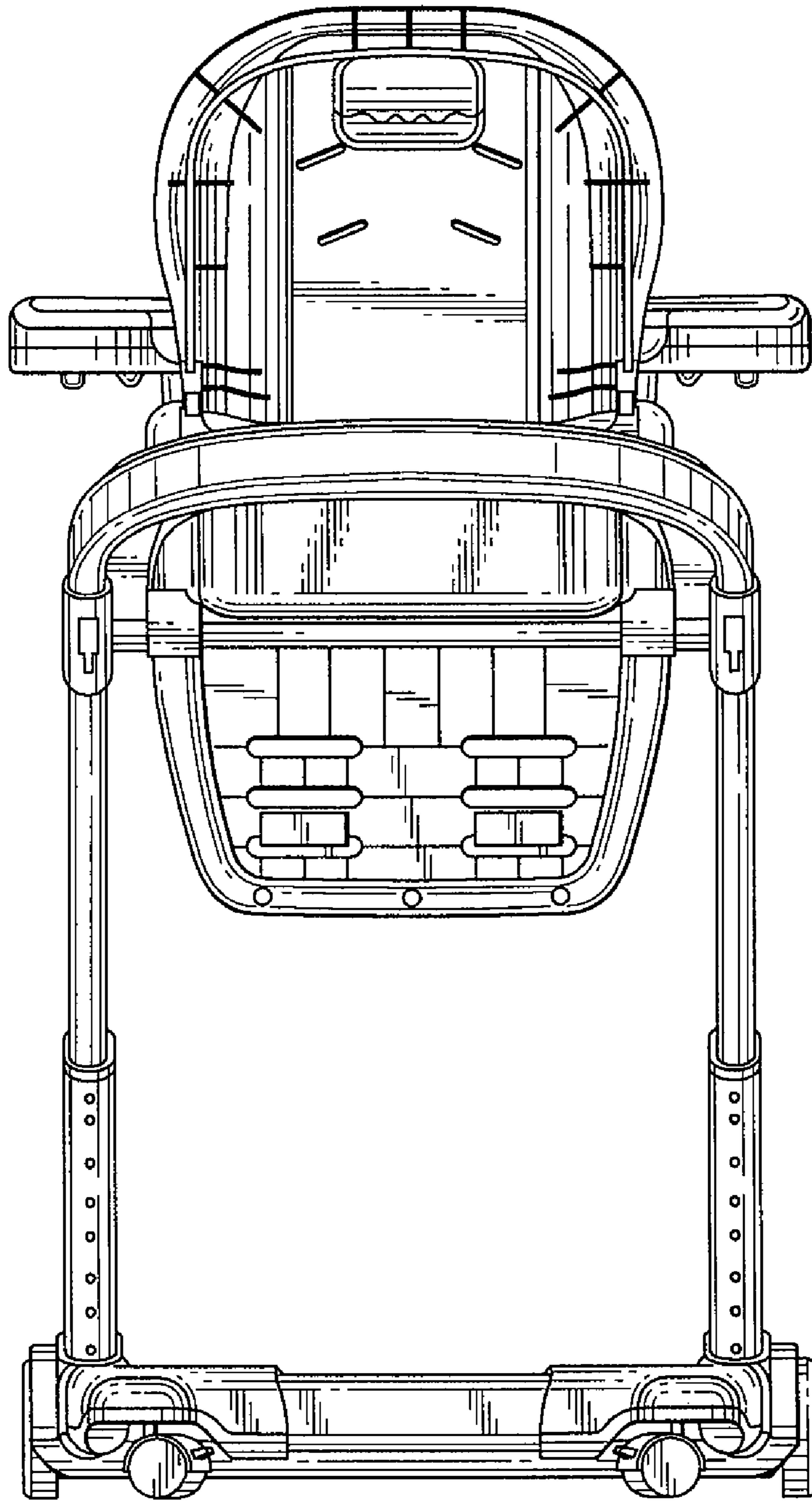


FIG. 3

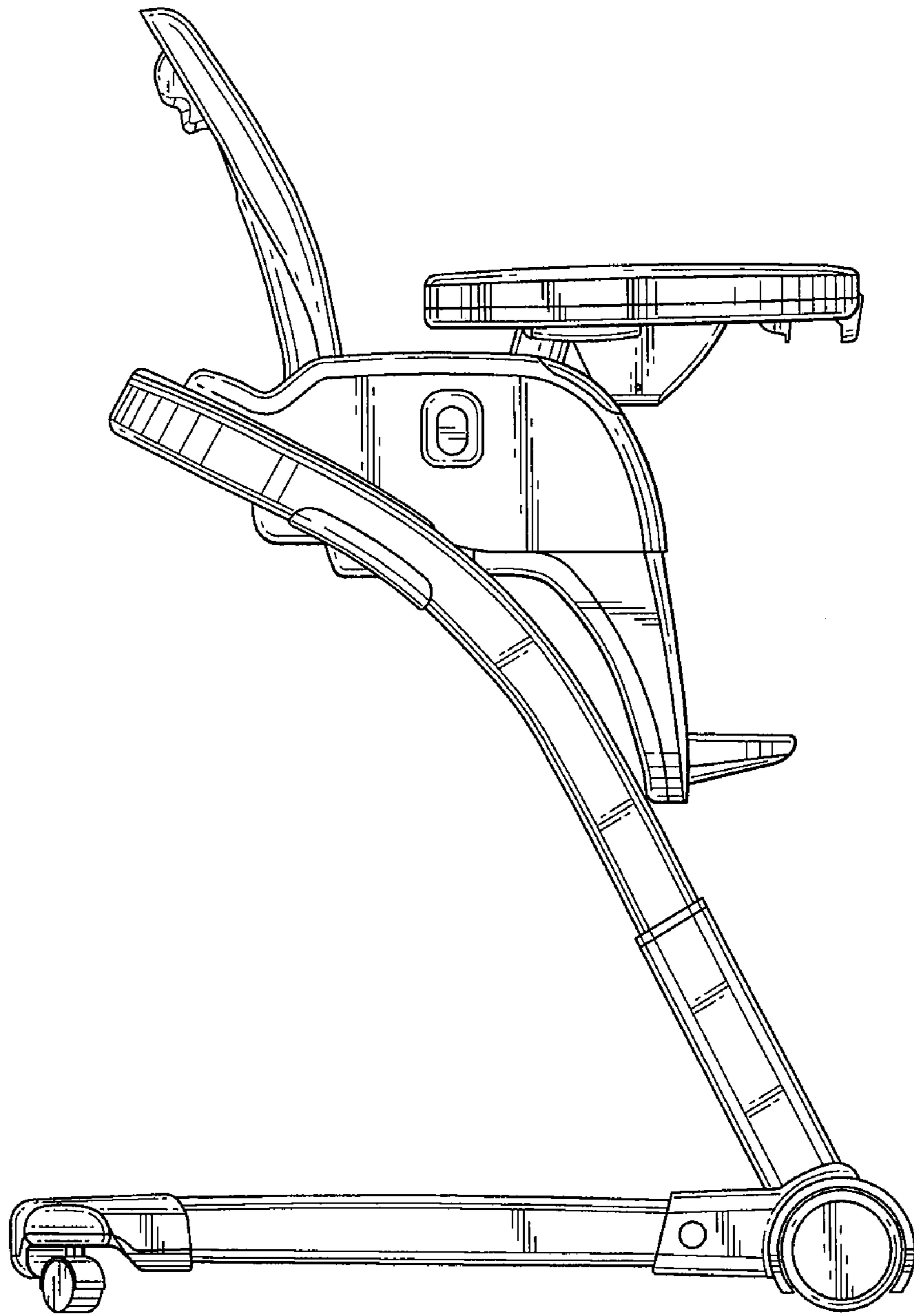


FIG. 4

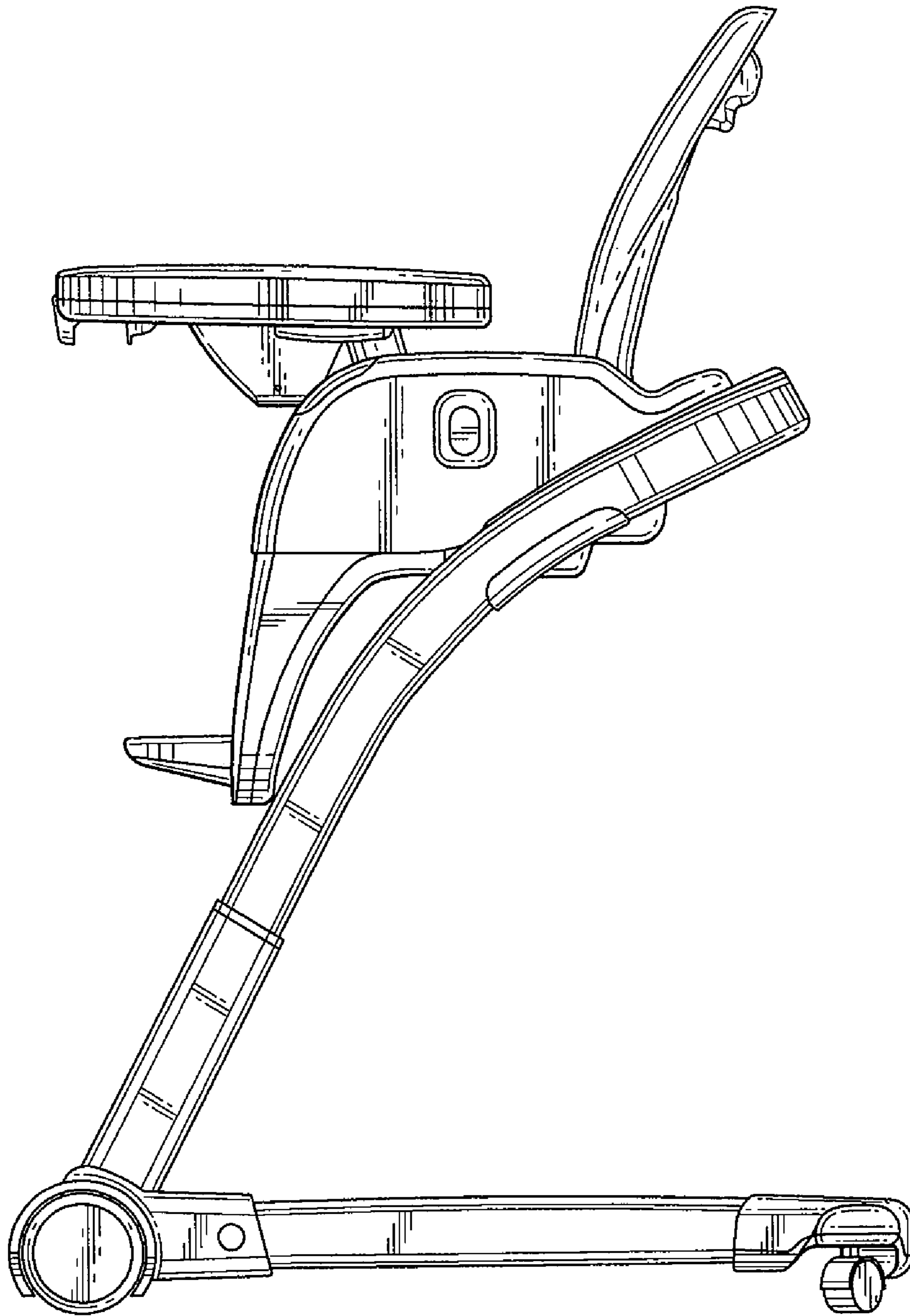


FIG. 5

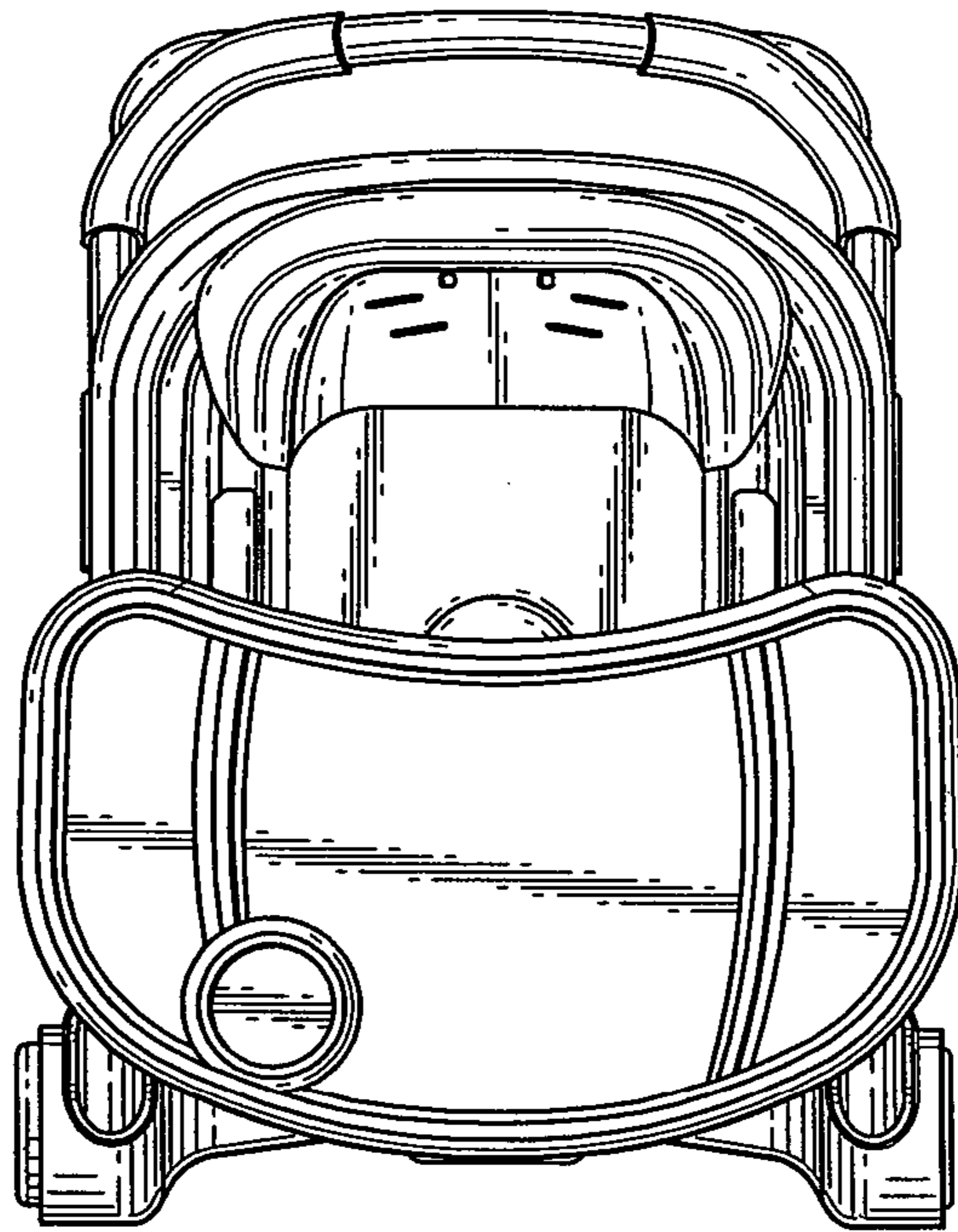


FIG. 6

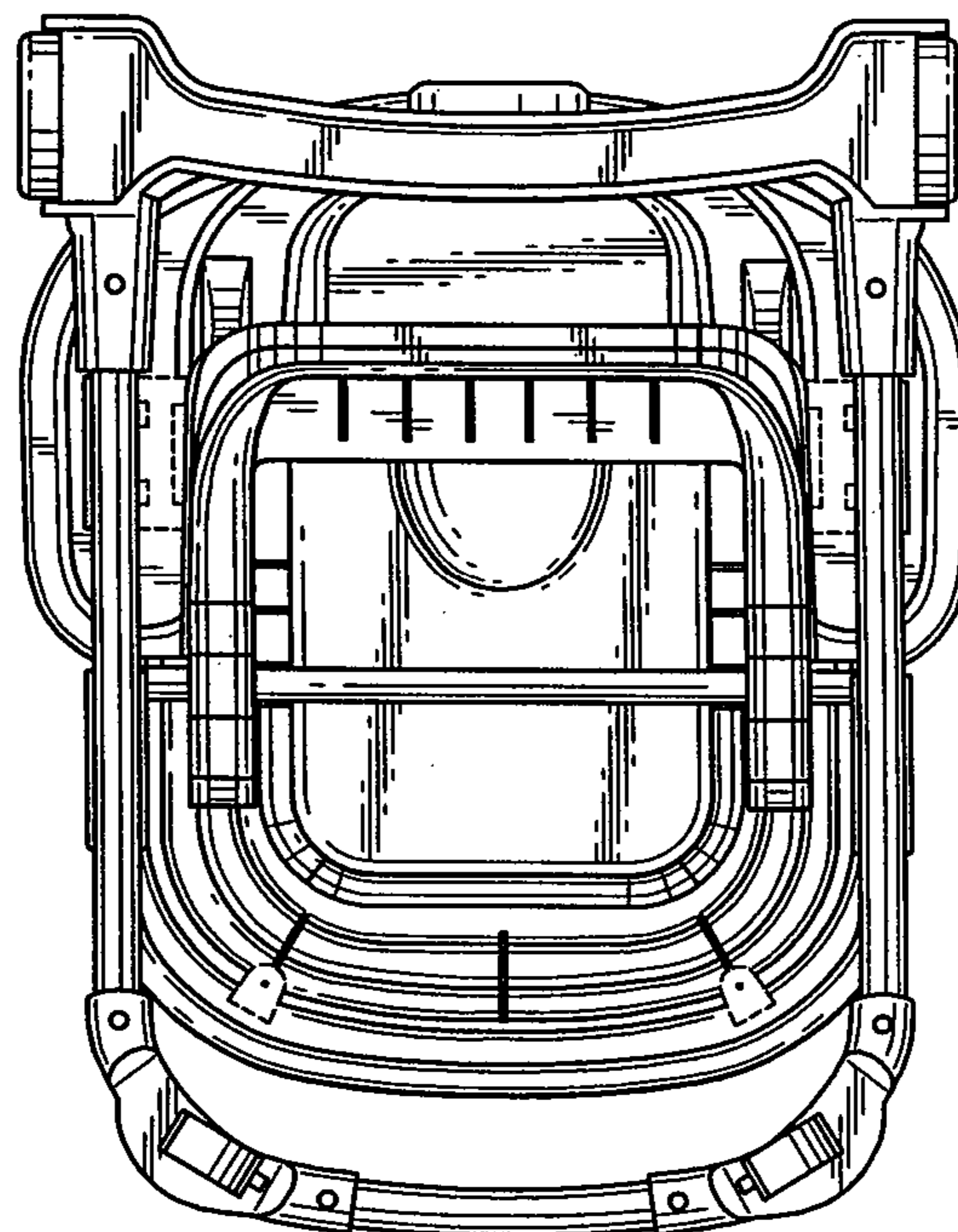


FIG. 7