



US00D618000S

(12) **United States Design Patent**
Hernandez et al.

(10) **Patent No.:** **US D618,000 S**
(45) **Date of Patent:** **** *Jun. 22, 2010**

(54) **POWER STATION FOR PERSONAL ELECTRONIC DEVICES**

(75) Inventors: **Hugo Alonso Hernandez**, Fort Worth, TX (US); **David Michael Herrera**, North Richland Hills, TX (US); **Chad Tyler Wadley**, Frisco, TX (US)

(73) Assignee: **Southwest Airlines Co.**, Dallas, TX (US)

(*) Notice: This patent is subject to a terminal disclaimer.

(**) Term: **14 Years**

(21) Appl. No.: **29/320,128**

(22) Filed: **Jun. 20, 2008**

(51) **LOC (9) Cl.** **06-01**

(52) **U.S. Cl.** **D6/336**

(58) **Field of Classification Search** D6/330, D6/335-338, 340, 349-355, 358, 359, 364, D6/366, 376, 491, 495, 500-502; 297/16.1, 297/39, 46, 135, 140, 156, 158.3, 158.4, 297/175, 177, 187, 195.1, 195.11, 211, 245, 297/423.1, 423.16, 445.1, 461, 462

See application file for complete search history.

(56) **References Cited**

U.S. PATENT DOCUMENTS

D96,841 S * 9/1935 Kelley D6/337

D158,921 S * 6/1950 McEwynn D6/337
D182,822 S * 5/1958 Kempner D6/337
3,486,790 A * 12/1969 Barecki et al. 297/142
D379,874 S * 6/1997 Stirling et al. D6/338
7,370,909 B2 * 5/2008 Gevaert 297/142

* cited by examiner

Primary Examiner—Sandra Snapp

(74) *Attorney, Agent, or Firm*—Fish & Richardson P.C.

(57) **CLAIM**

The ornamental design for a power station for personal electronic devices, as shown and described.

DESCRIPTION

FIG. 1 is a perspective view of a power station showing the top, front, and right sides of my new design;

FIG. 2 is a second perspective view, showing the top, rear, and right sides thereof;

FIG. 3 is a front side view thereof;

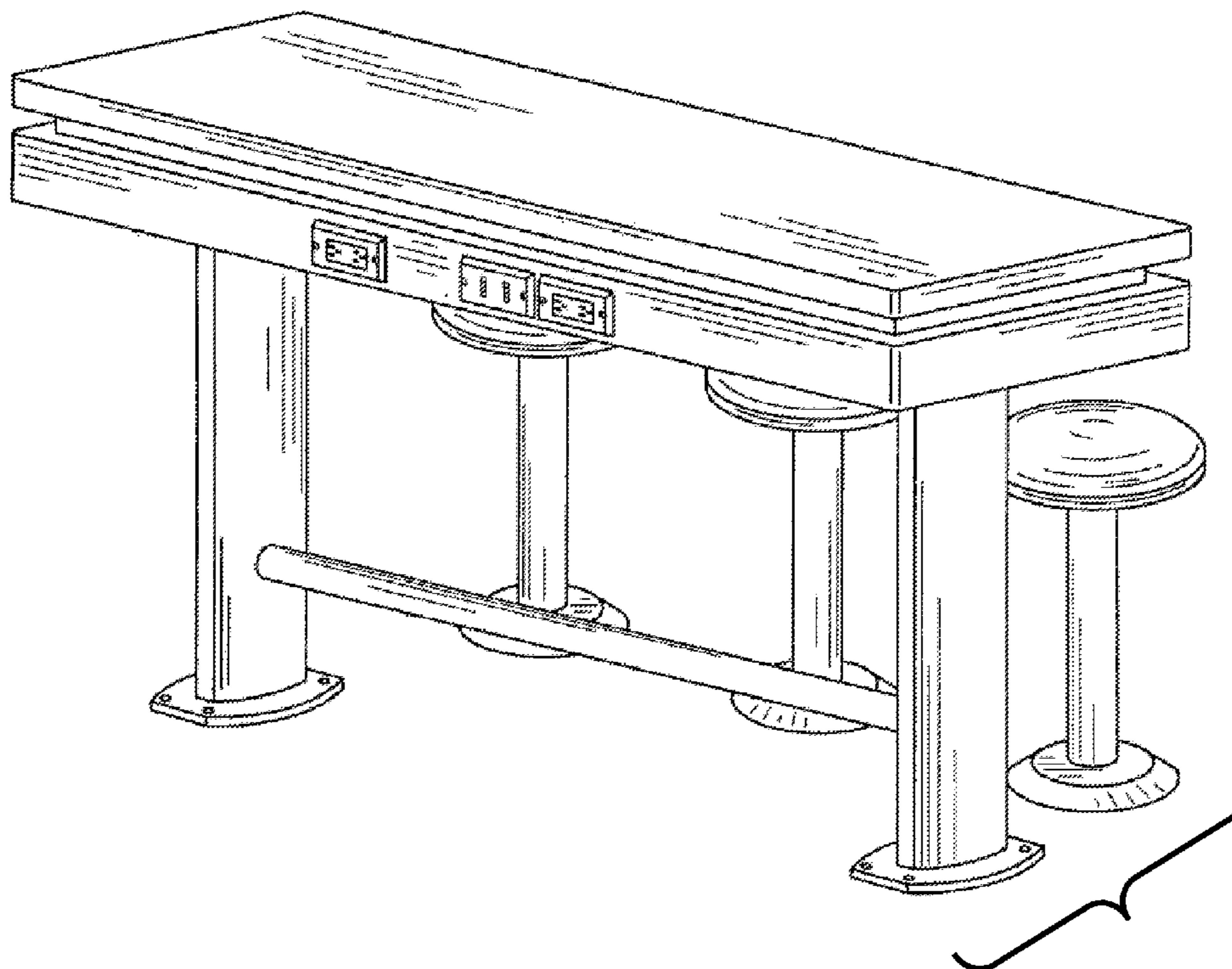
FIG. 4 is a rear side view thereof;

FIG. 5 is a left side view thereof;

FIG. 6 is a right side view thereof; and,

FIG. 7 is a top plan view thereof.

1 Claim, 6 Drawing Sheets



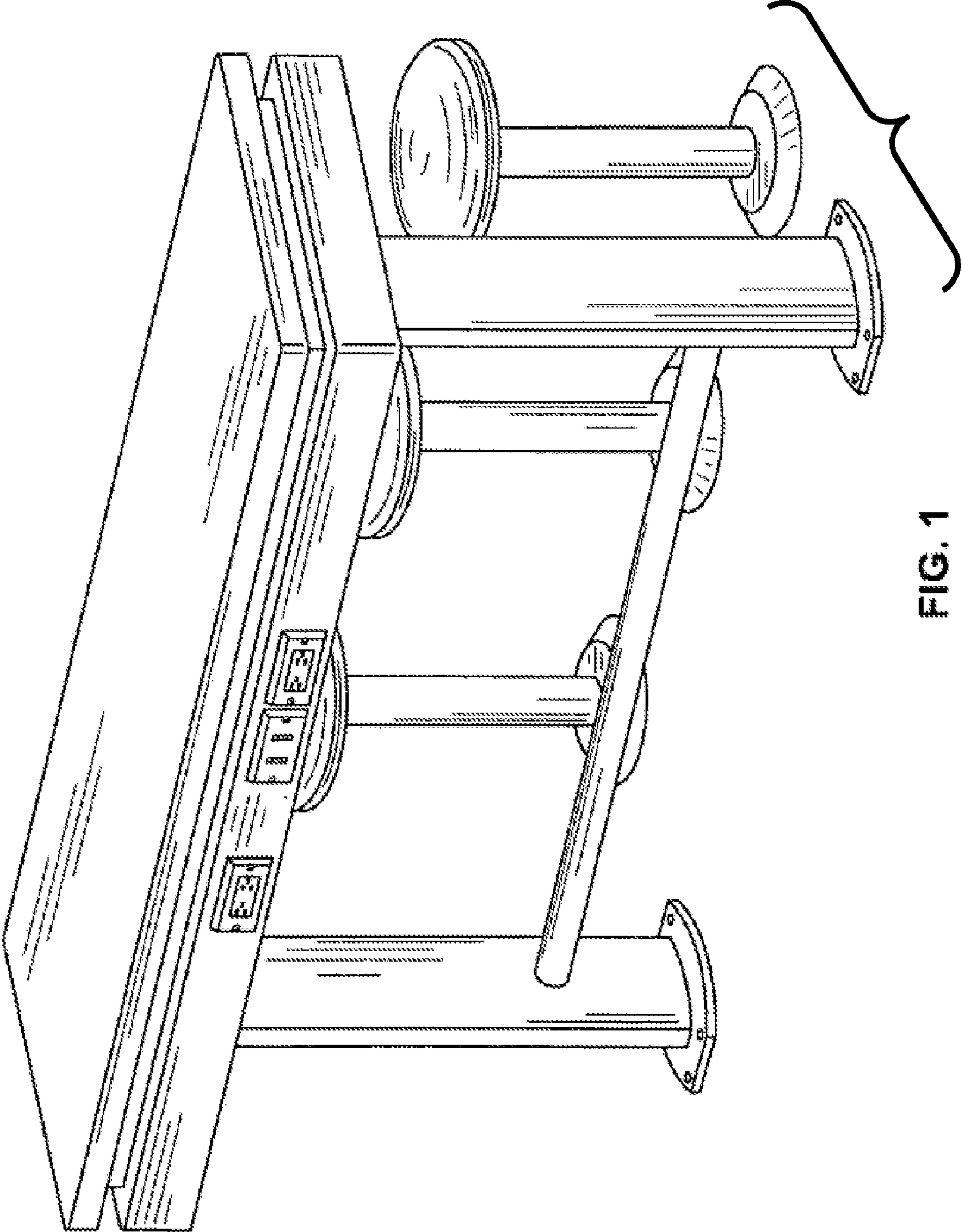


FIG. 1

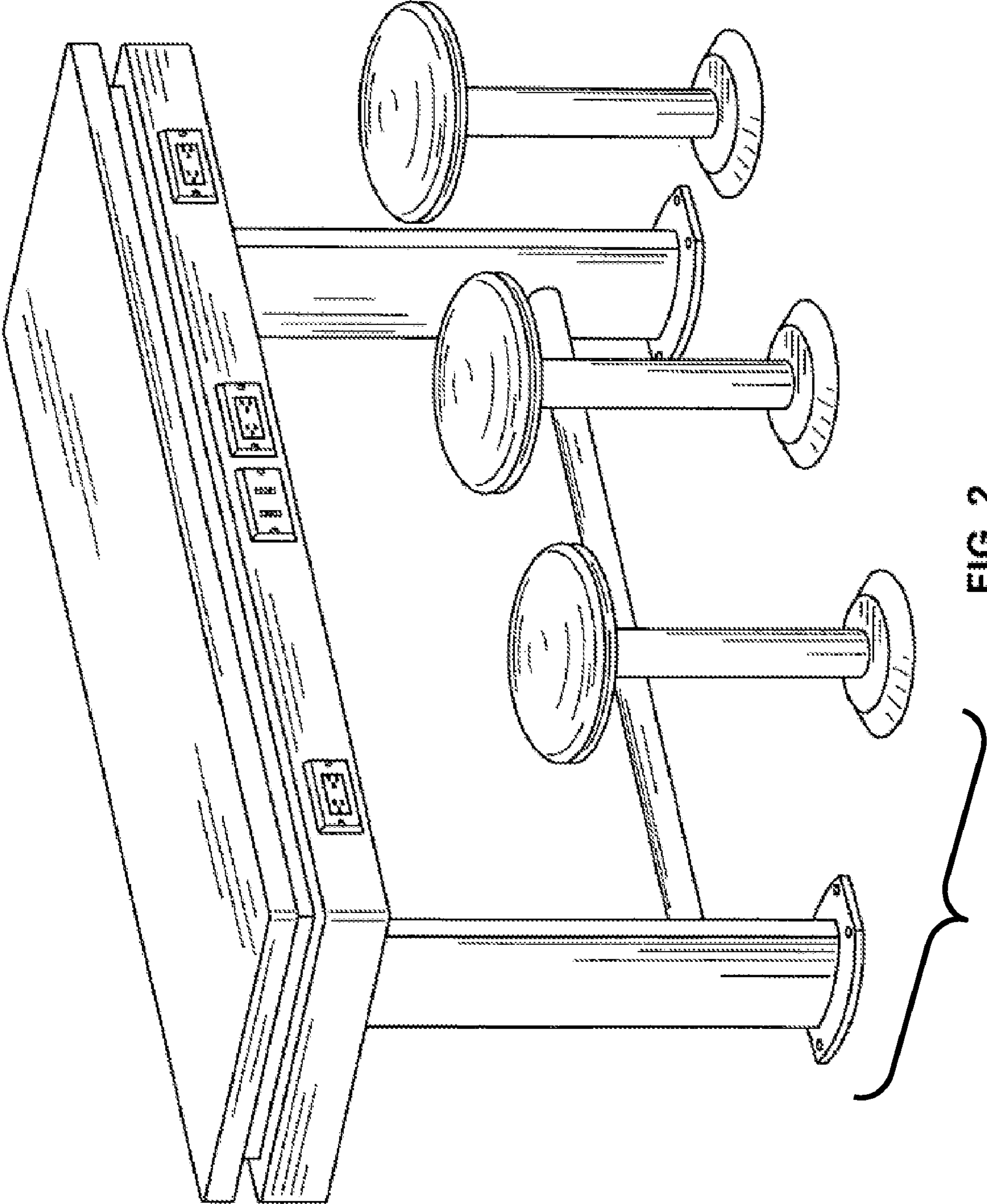


FIG. 2

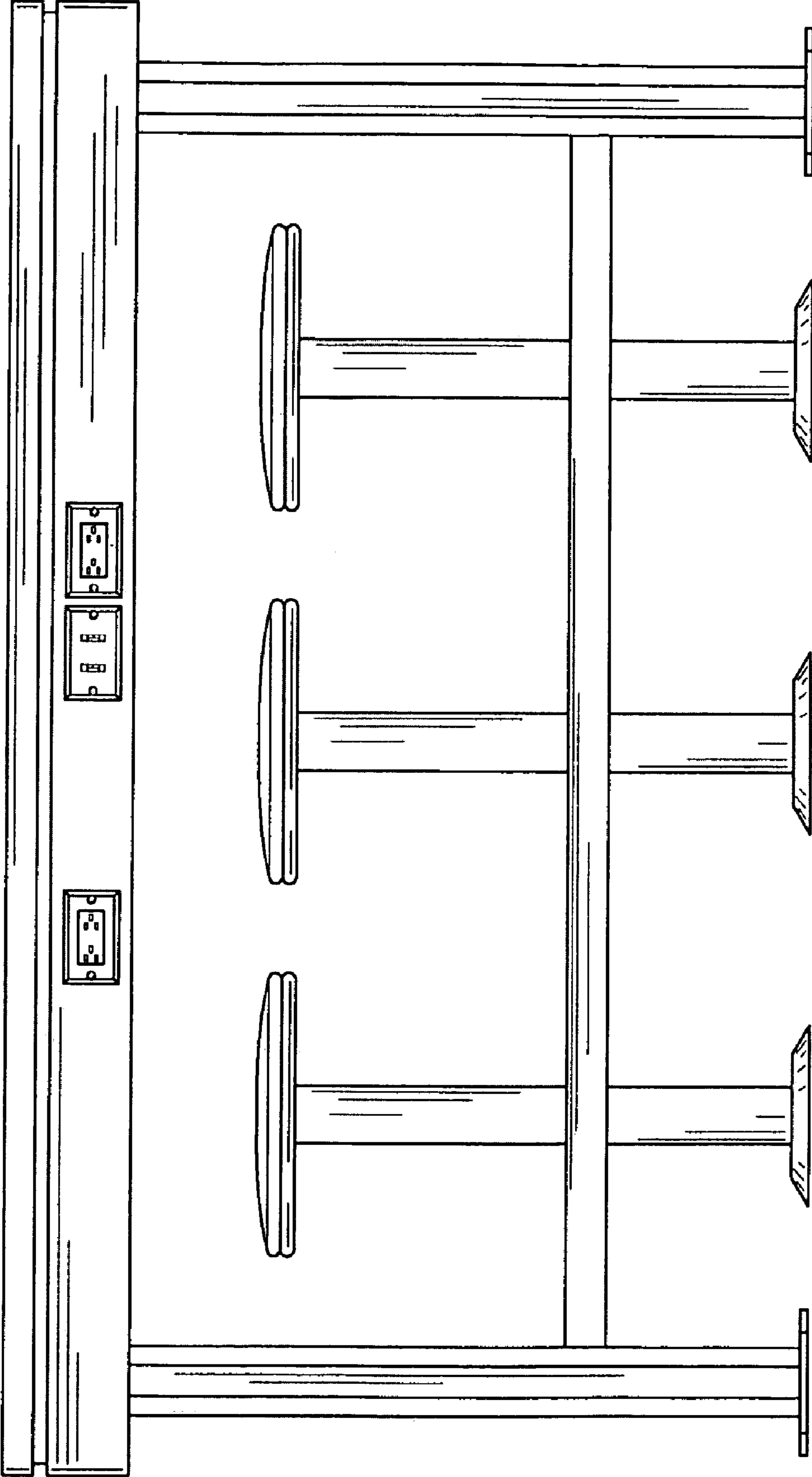


FIG. 3

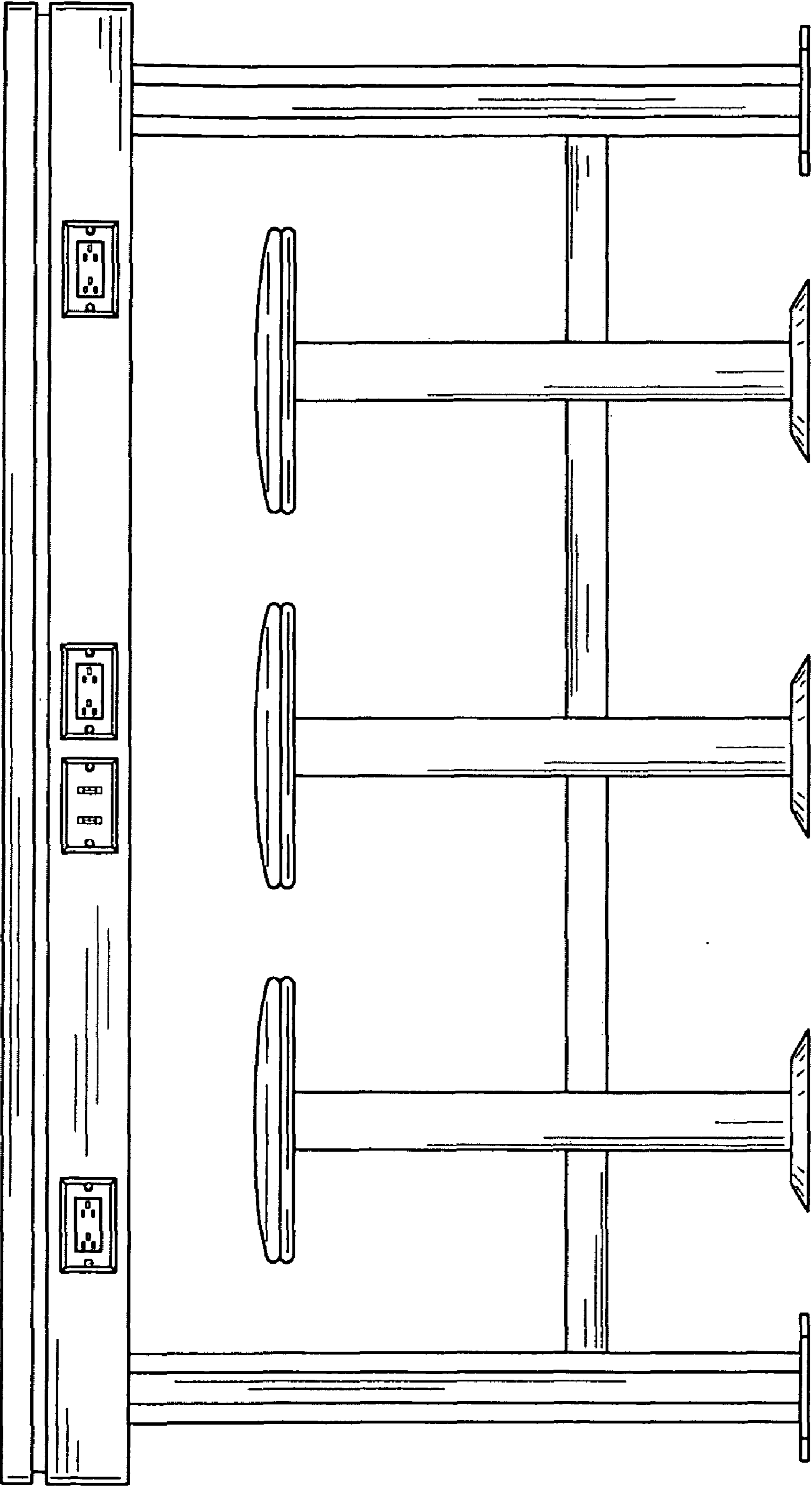


FIG. 4

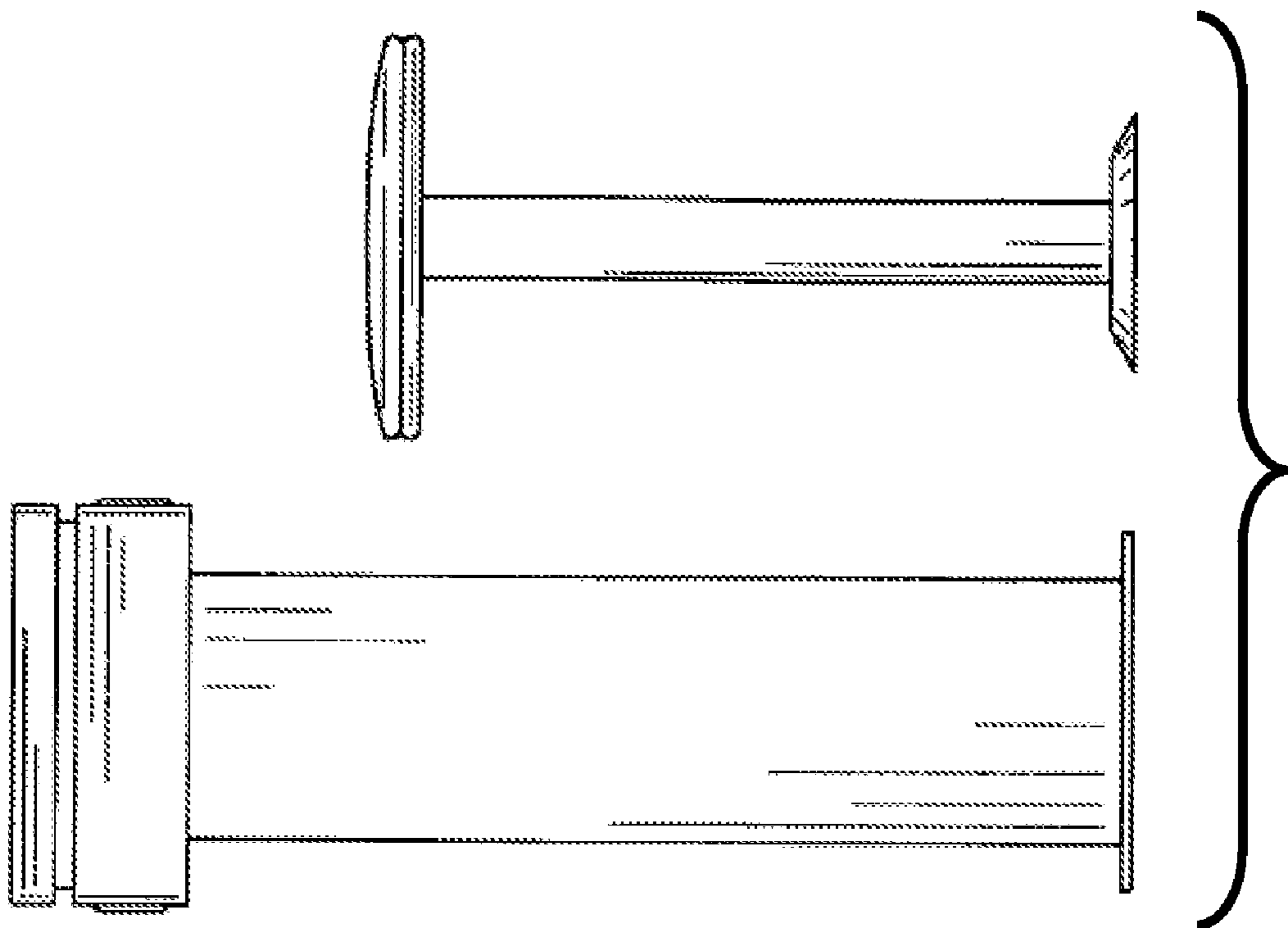


FIG. 6

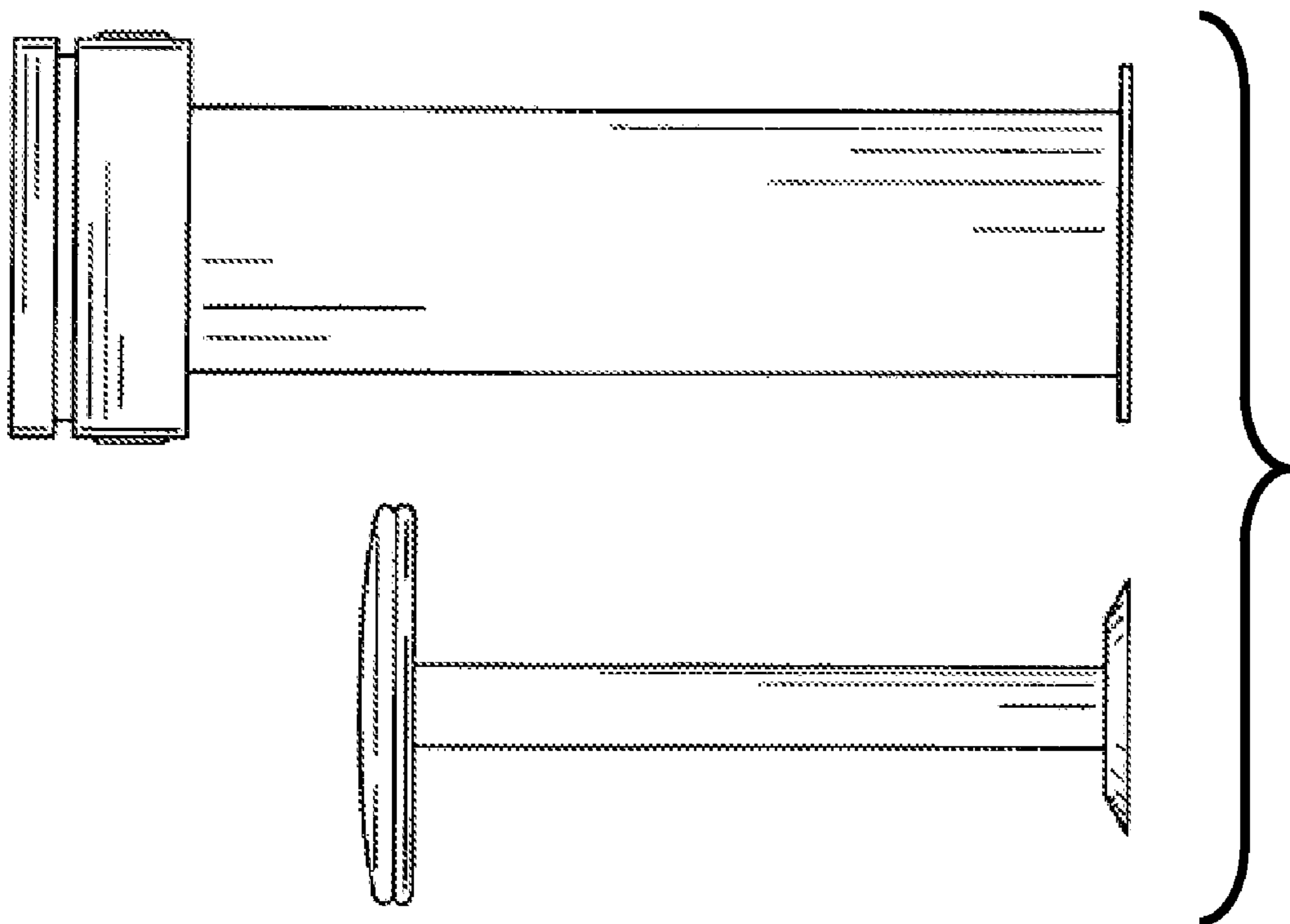


FIG. 5

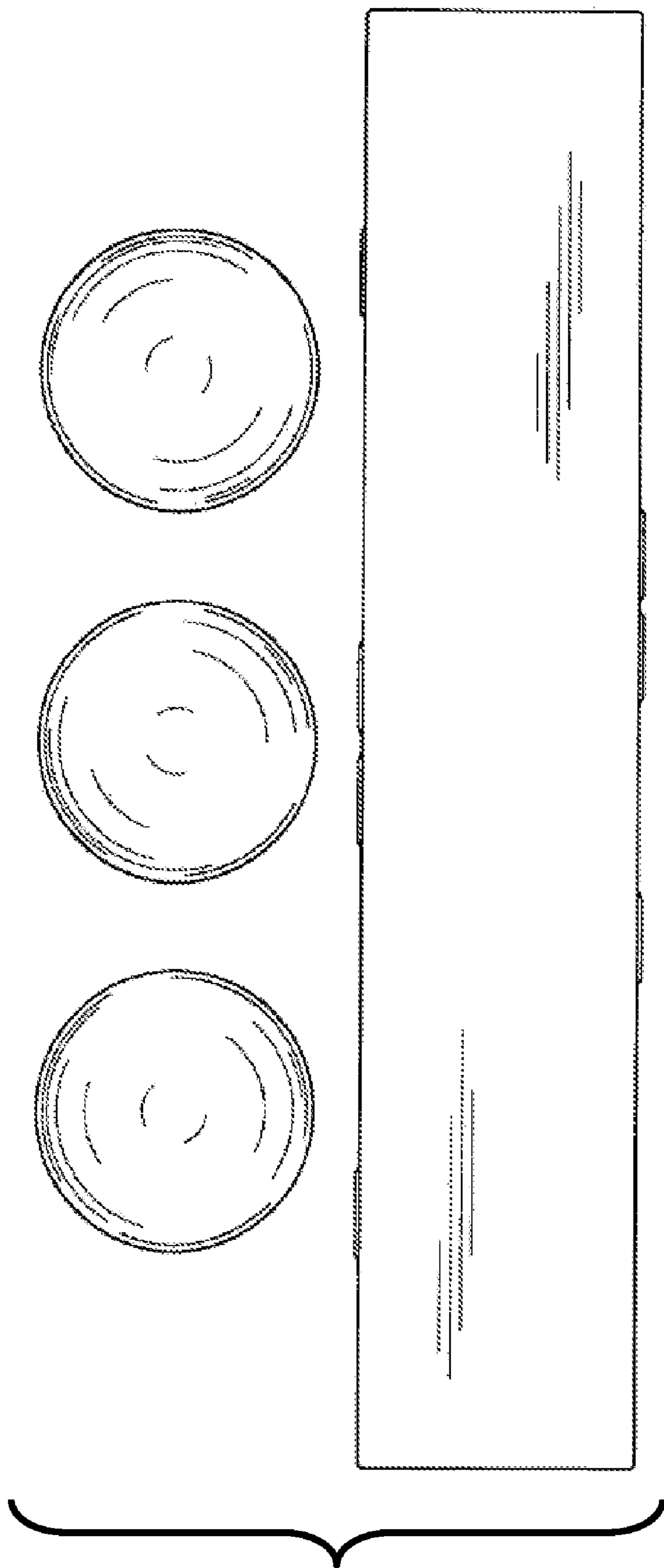


FIG. 7