



US00D617999S

(12) **United States Design Patent**  
**Hung**

(10) **Patent No.:** **US D617,999 S**  
(45) **Date of Patent:** **\*\* Jun. 22, 2010**

(54) **CREEPER SEAT BASE**

**DESCRIPTION**

(75) Inventor: **Victor Hung**, Taipei (TW)  
(73) Assignee: **Shinn Fu Corporation**, Taipei (TW)  
(\*\*) Term: **14 Years**  
(21) Appl. No.: **29/355,761**  
(22) Filed: **Feb. 12, 2010**  
(51) **LOC (9) Cl.** ..... **06-01**  
(52) **U.S. Cl.** ..... **D6/335**  
(58) **Field of Classification Search** ..... D6/335,  
D6/336, 340, 364, 367, 491, 495, 500-502;  
D34/23; 297/195.1, 195.11, 175, 199, 200

See application file for complete search history.

(56) **References Cited**

**U.S. PATENT DOCUMENTS**

4,832,355 A \* 5/1989 Hung ..... 280/32.5  
D353,058 S \* 12/1994 Dallas ..... D6/336  
D365,935 S \* 1/1996 Dallas ..... D6/336  
D381,821 S \* 8/1997 Miles ..... D6/353  
D463,143 S \* 9/2002 Riddle ..... D6/336  
D509,082 S \* 9/2005 Petruccelli ..... D6/441  
D531,419 S \* 11/2006 Whiteside et al. .... D6/352  
D608,558 S \* 1/2010 Rush ..... D6/367

\* cited by examiner

*Primary Examiner*—Sandra Snapp

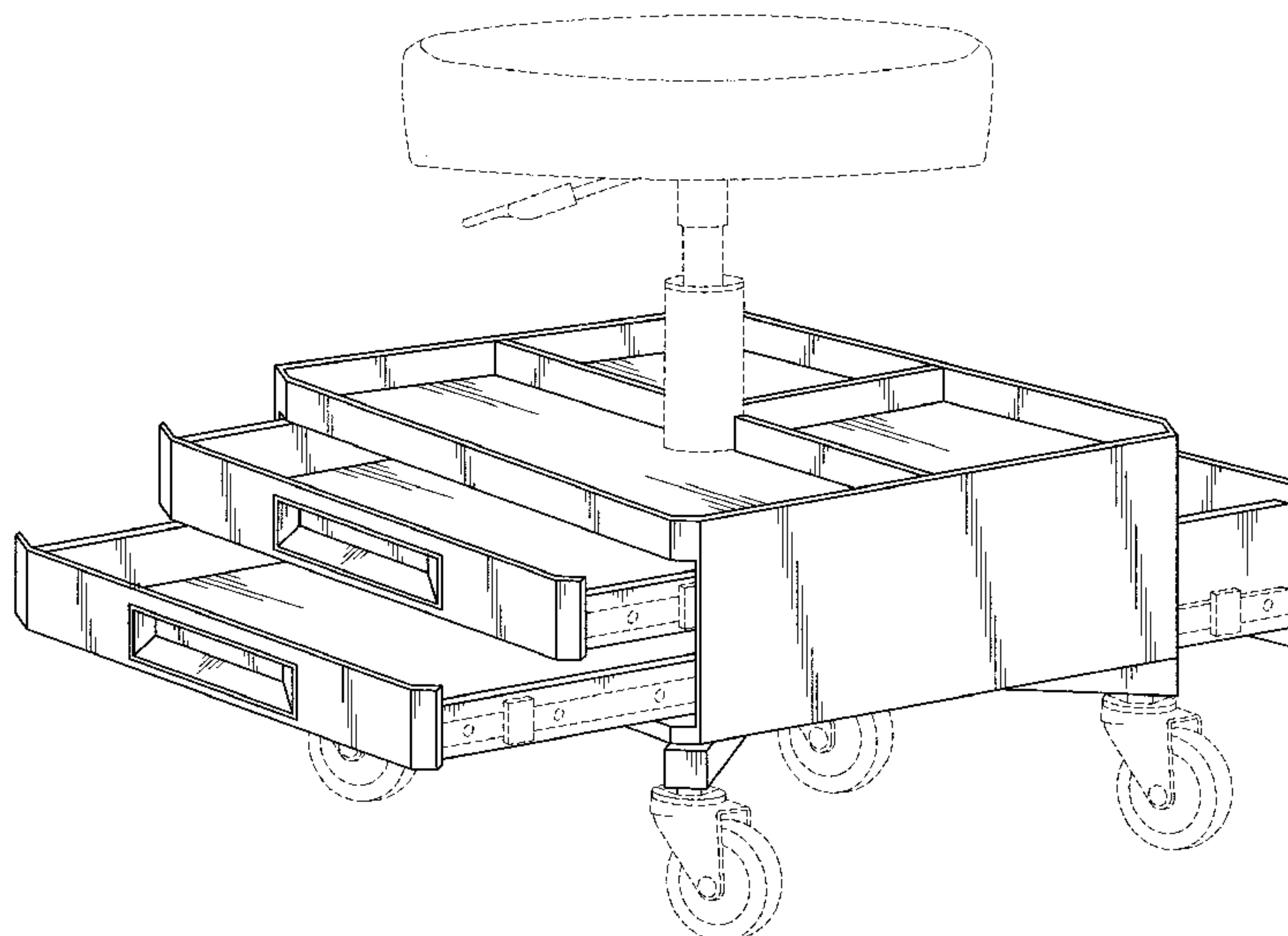
(74) *Attorney, Agent, or Firm*—Lathrop & Gage LLP

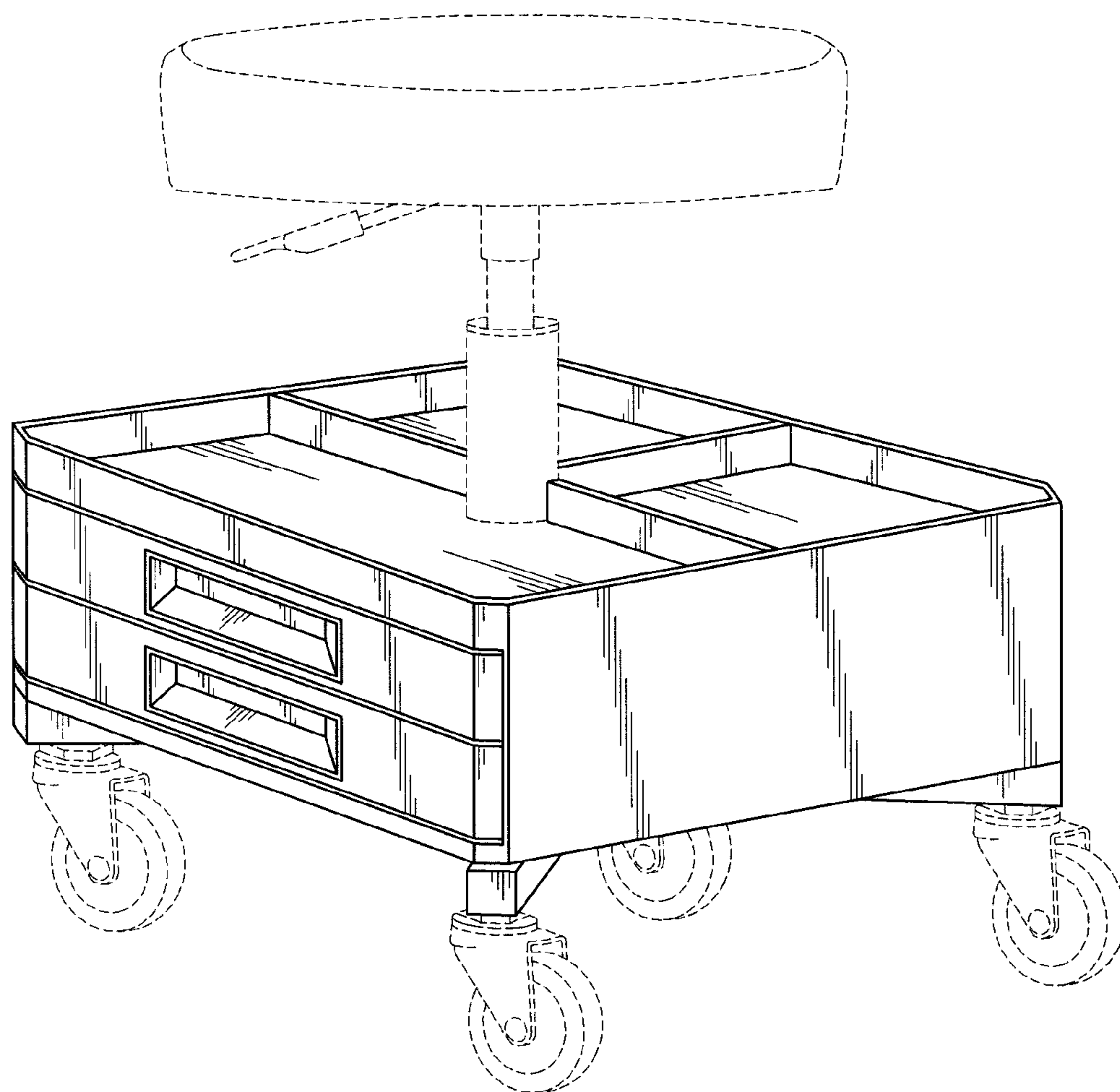
(57) **CLAIM**

The ornamental design for a creeper seat base, as shown and described.

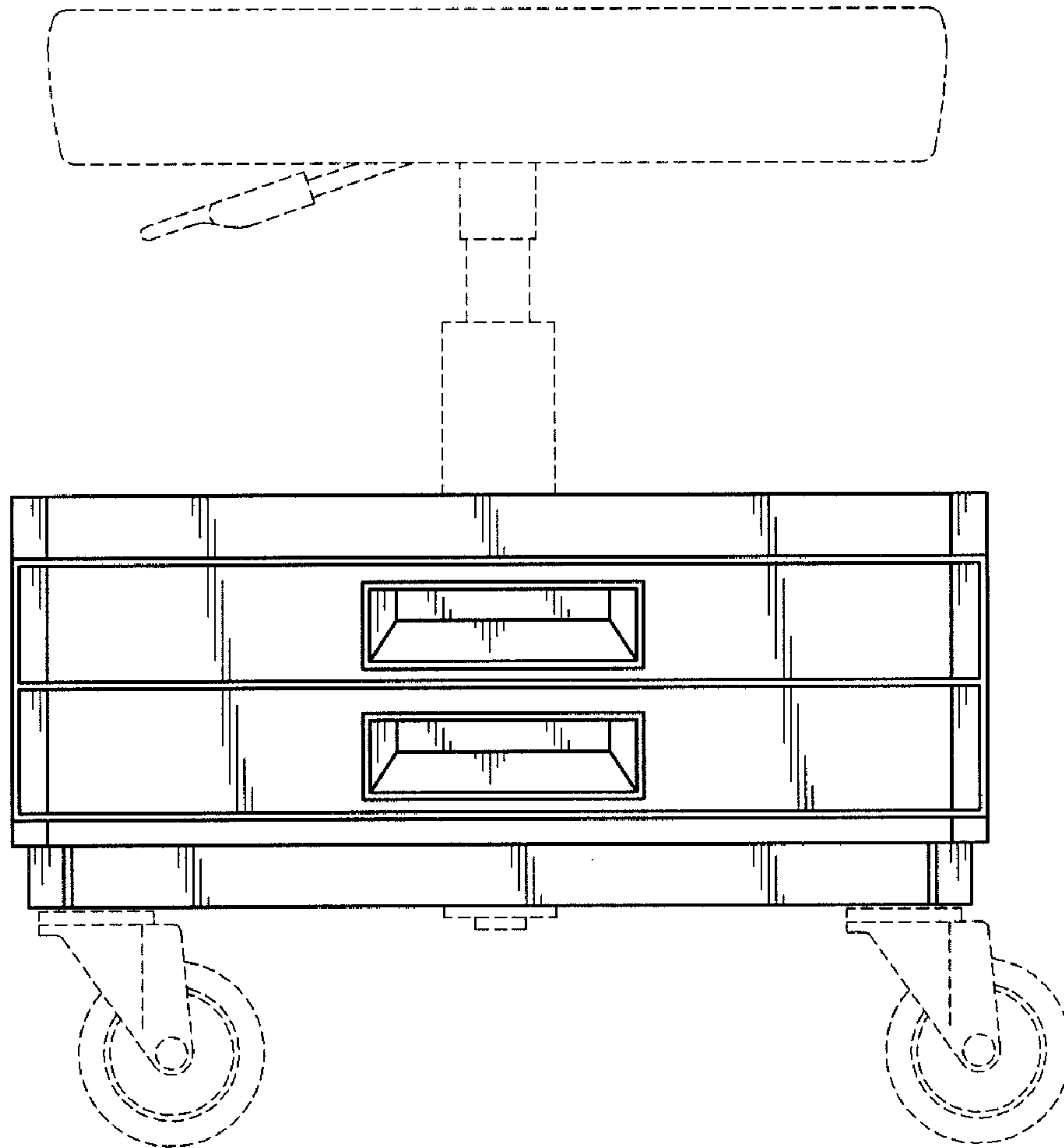
FIG. 1 is a perspective view of a creeper seat base showing the new design, in a closed configuration;  
FIG. 2 is a side view of the creeper seat base of FIG. 1, in a closed configuration;  
FIG. 3 is an end view of the creeper seat base of FIG. 1, in a closed configuration;  
FIG. 4 is another side view of the creeper seat base of FIG. 1, in a closed configuration;  
FIG. 5 is another end view of the creeper seat base of FIG. 1, in a closed configuration;  
FIG. 6 is a top view of the creeper seat base of FIG. 1, in a closed configuration;  
FIG. 7 is a bottom view of the creeper seat base of FIG. 1, in a closed configuration;  
FIG. 8 is a perspective view of the creeper seat base of FIG. 1, in an open configuration;  
FIG. 9 is a side view of the creeper seat base of FIG. 1, in an open configuration;  
FIG. 10 is an end view of the creeper seat base of FIG. 1, in an open configuration;  
FIG. 11 is another side view of the creeper seat base of FIG. 1, in an open configuration;  
FIG. 12 is another end view of the creeper seat base of FIG. 1, in an open configuration;  
FIG. 13 is a top view of the creeper seat base of FIG. 1, in an open configuration; and,  
FIG. 14 is a bottom view of the creeper seat base of FIG. 1, in an open configuration.  
The broken lines shown in the drawings are for illustrative purposes only and form no part of the claimed design.

**1 Claim, 14 Drawing Sheets**

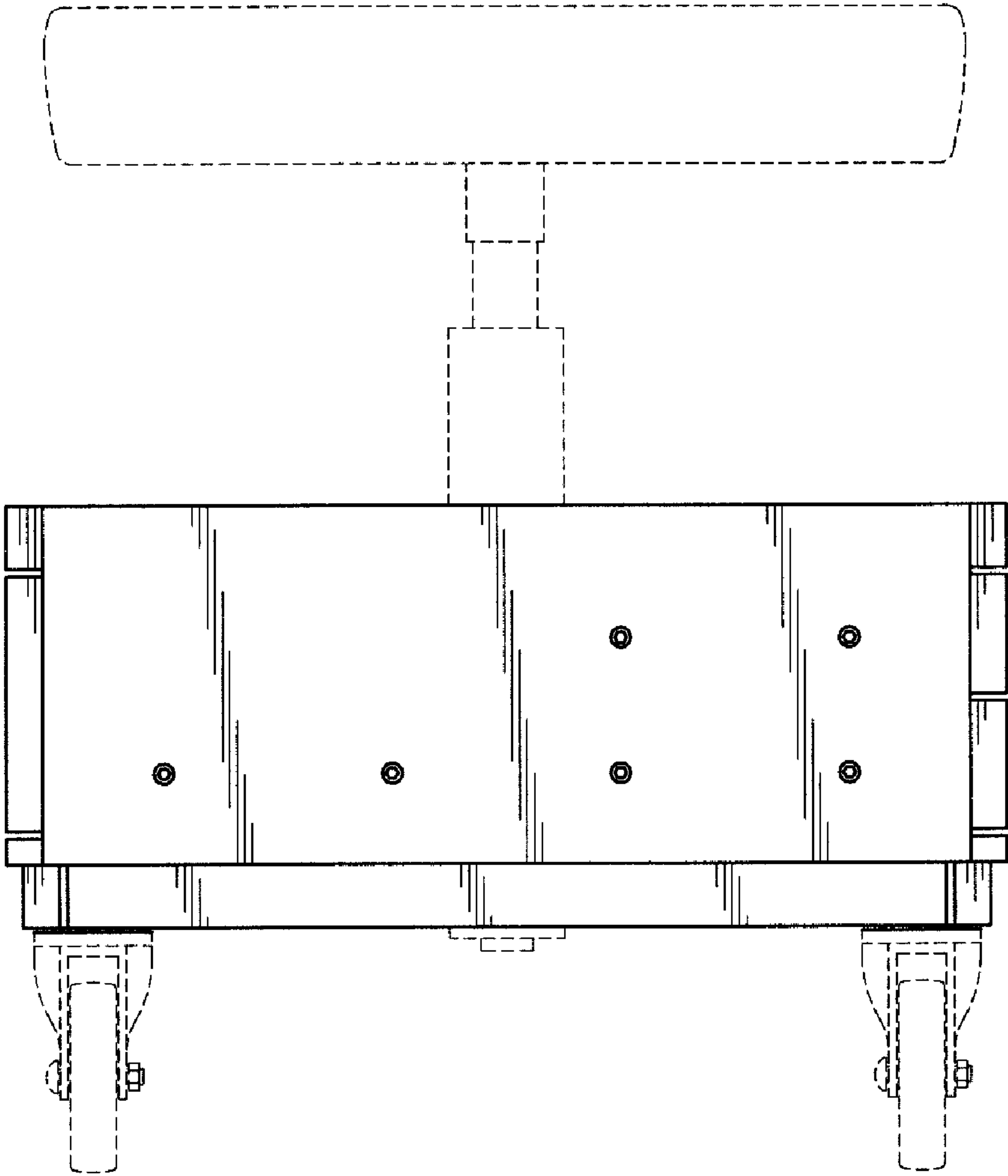




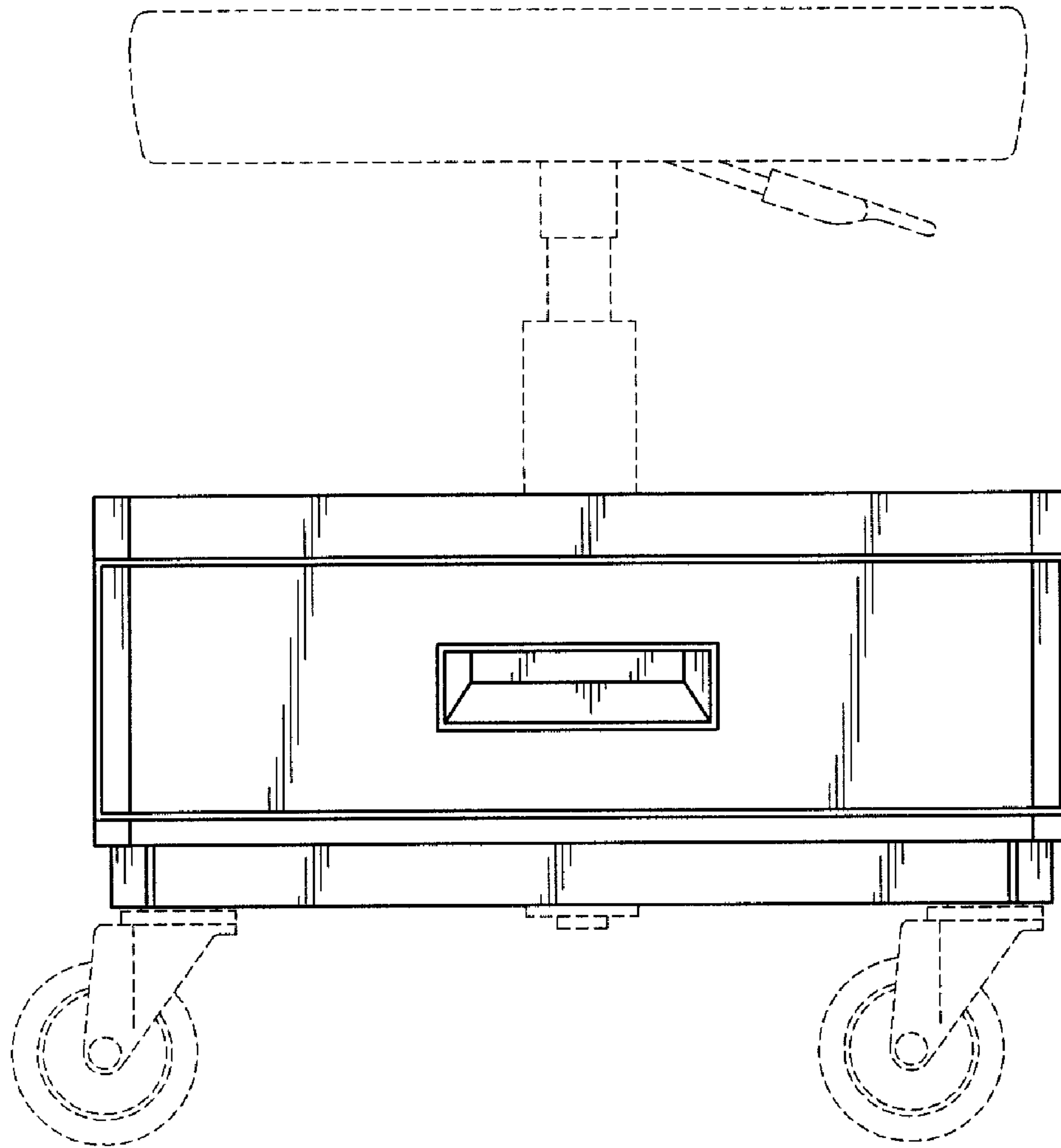
**FIG. 1**



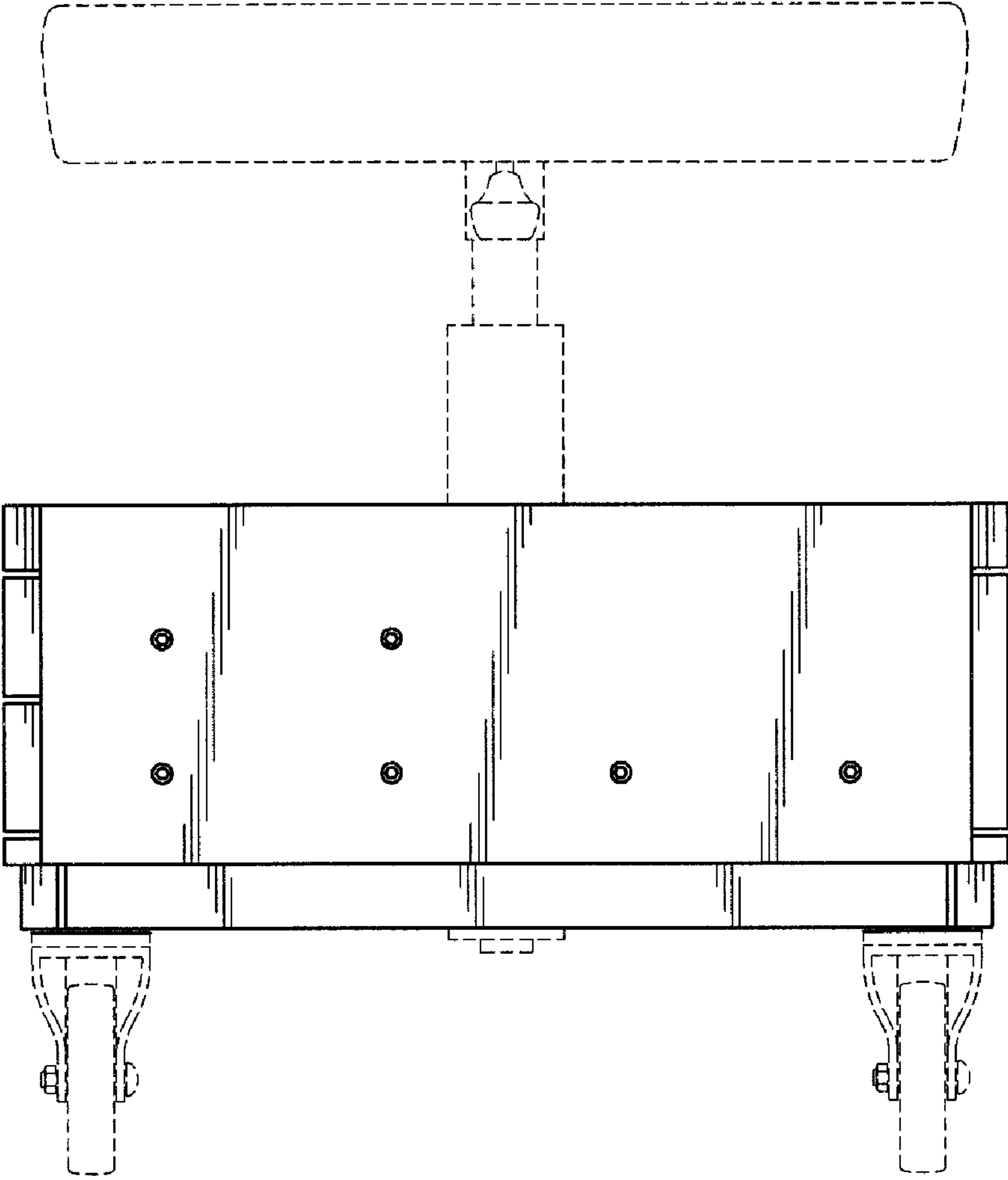
**FIG. 2**



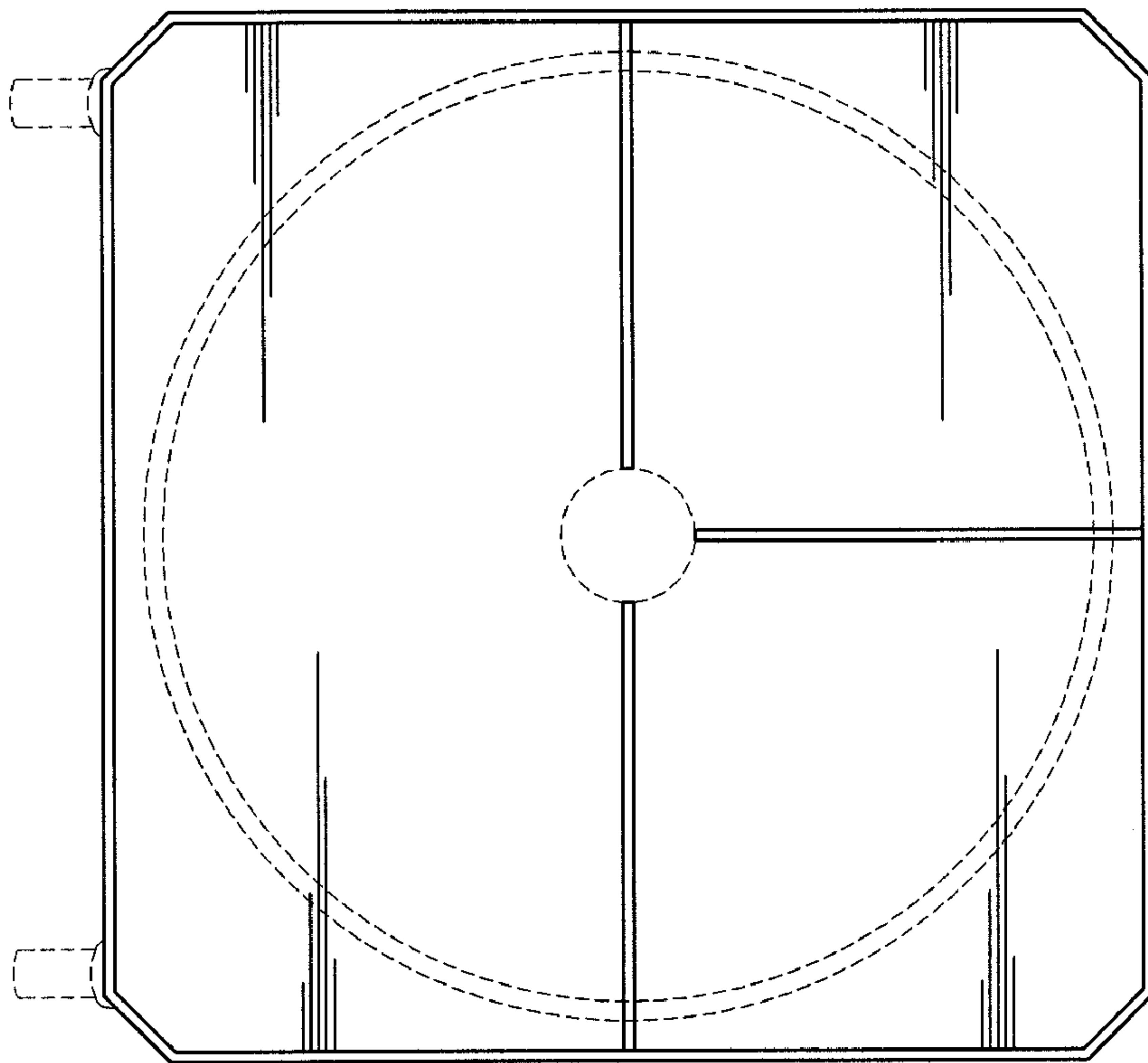
**FIG. 3**



**FIG. 4**

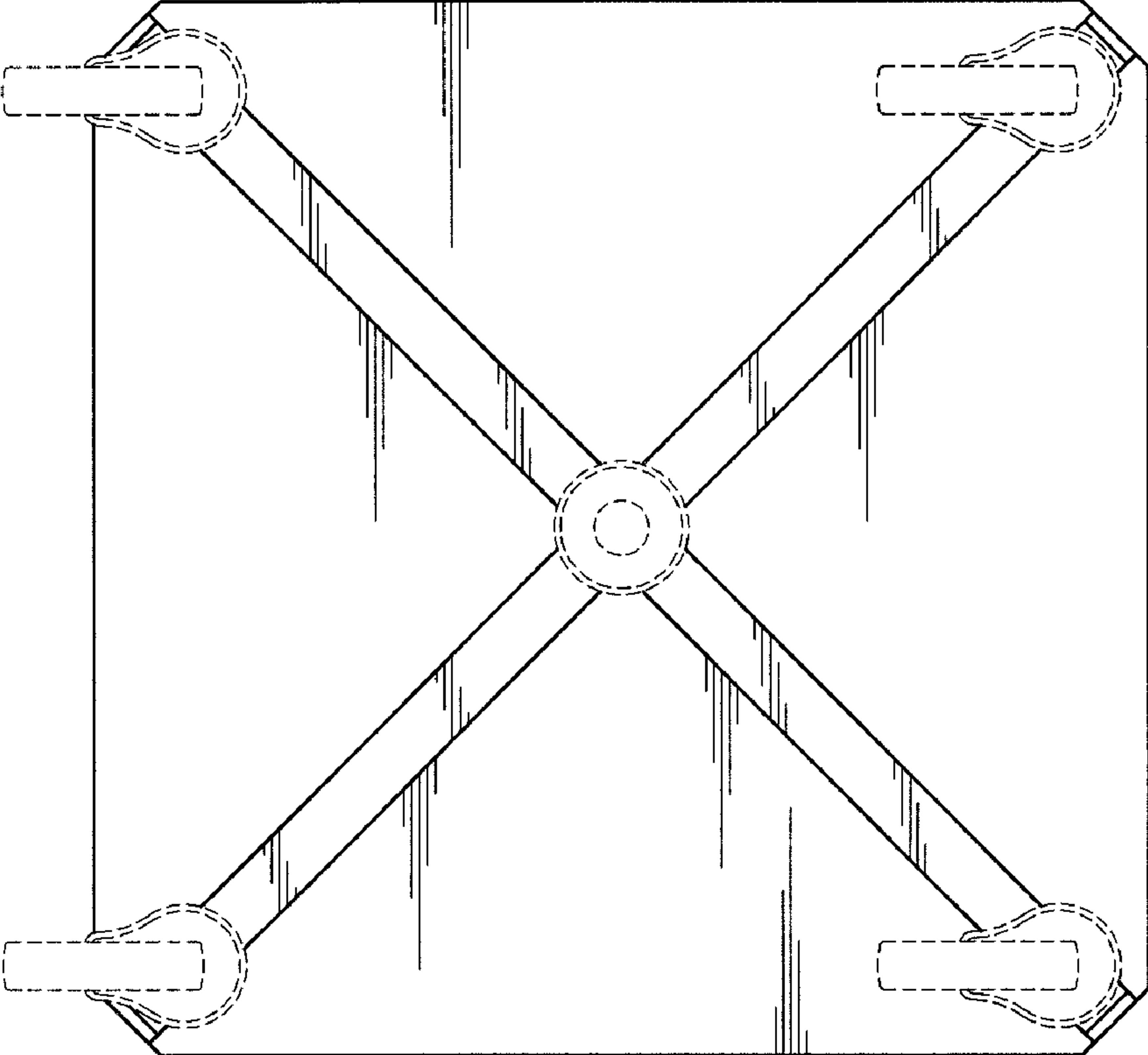


**FIG. 5**



**FIG. 6**





**FIG. 7**



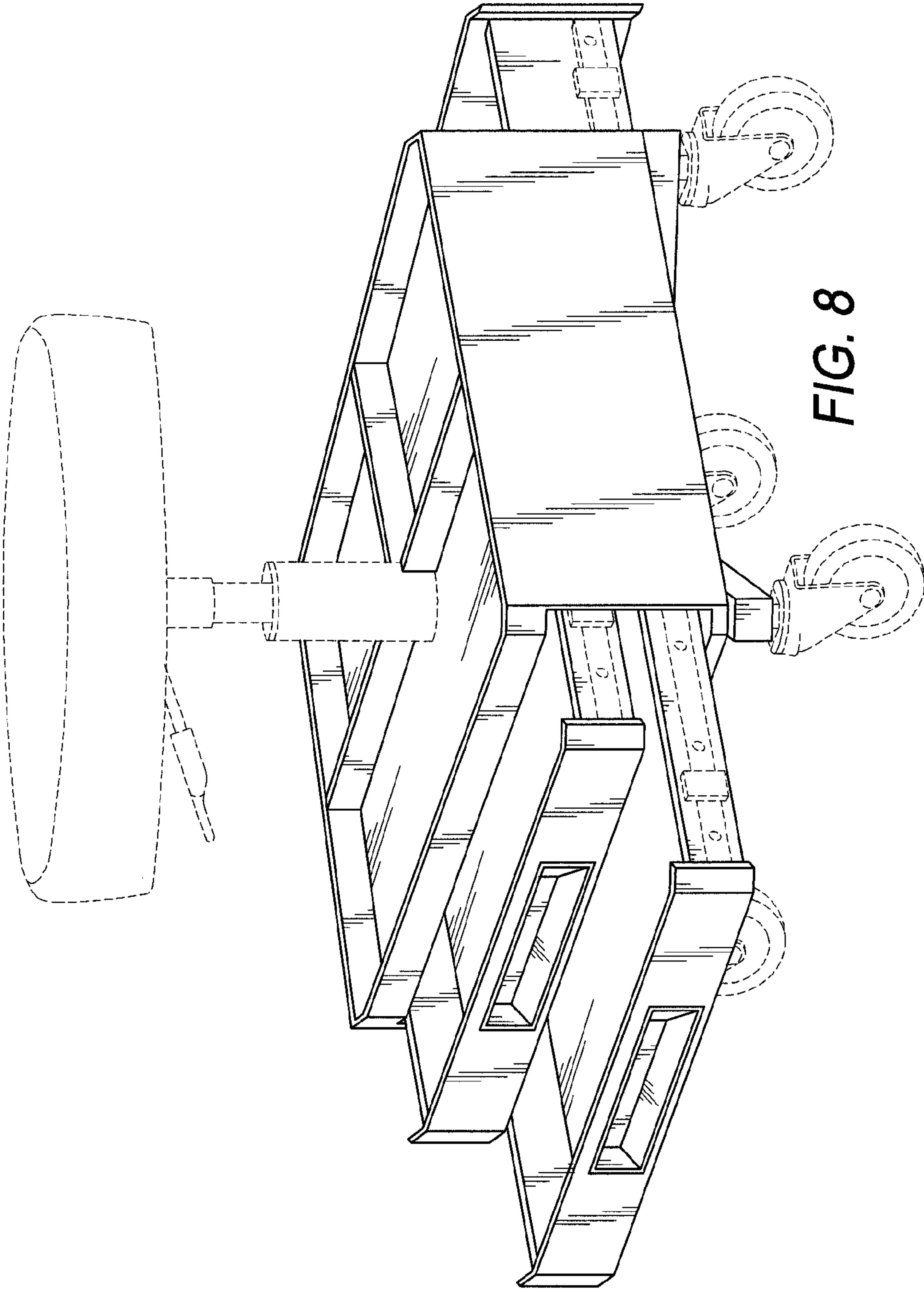
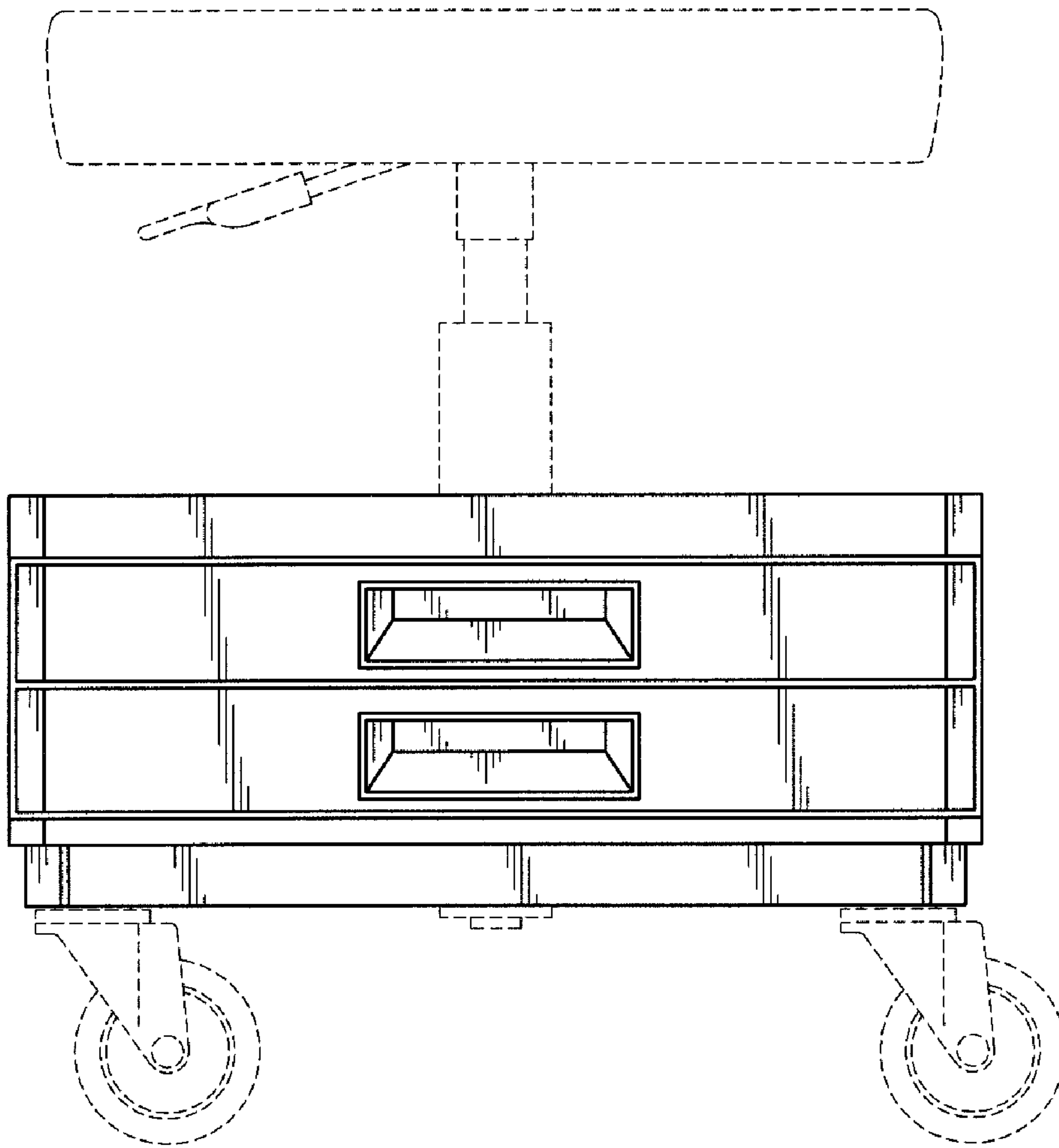


FIG. 8



**FIG. 9**

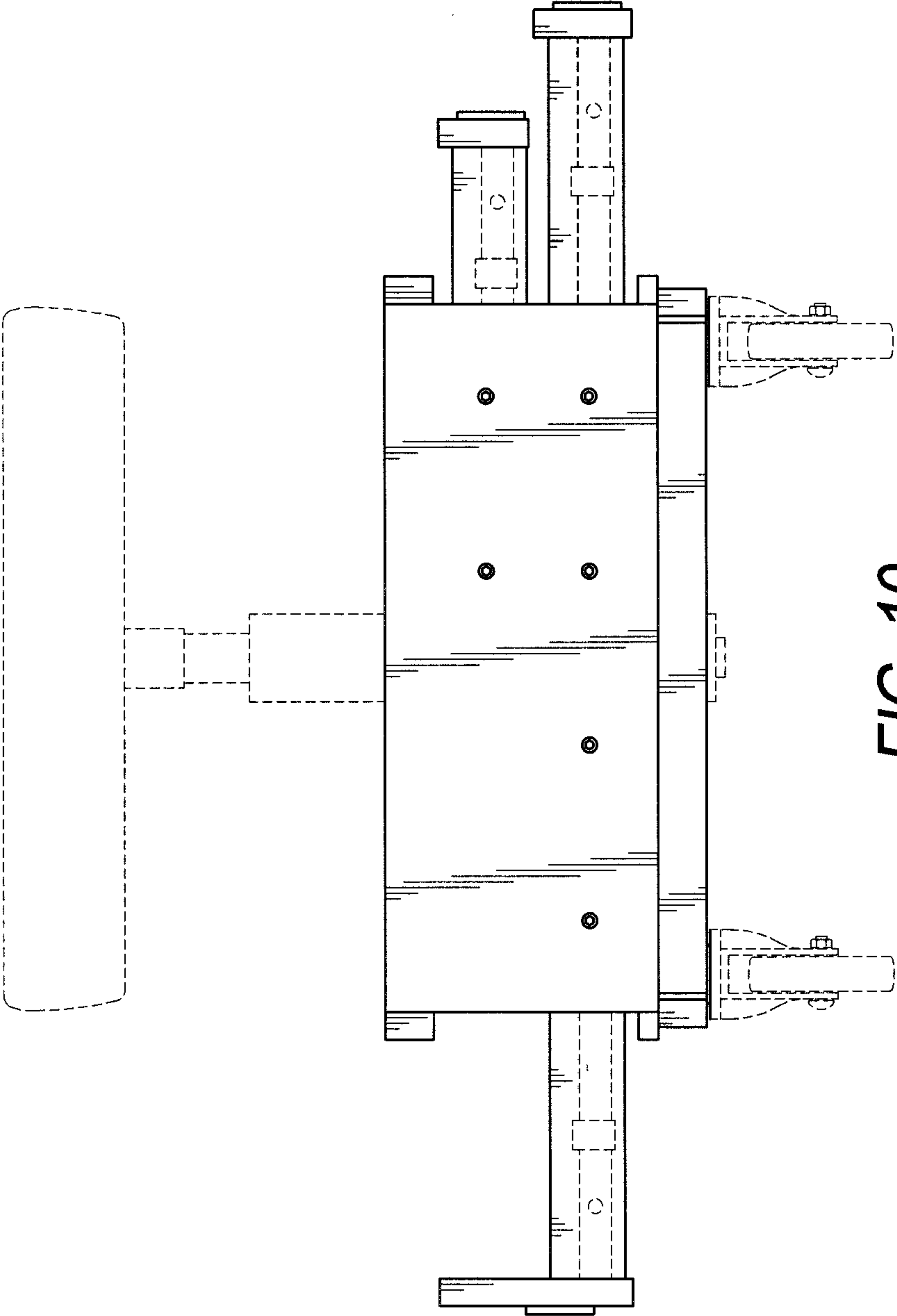
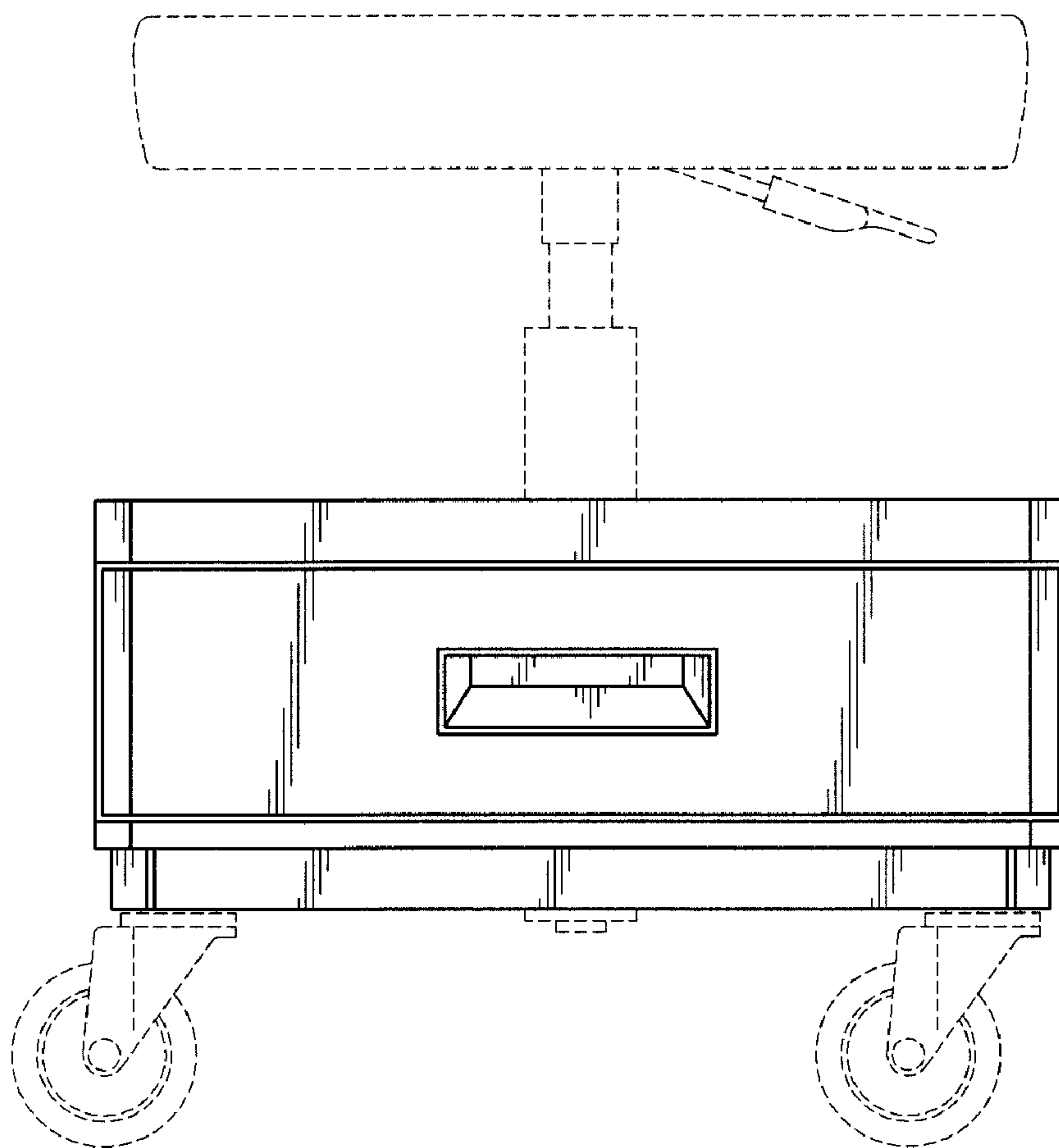


FIG. 10



**FIG. 11**

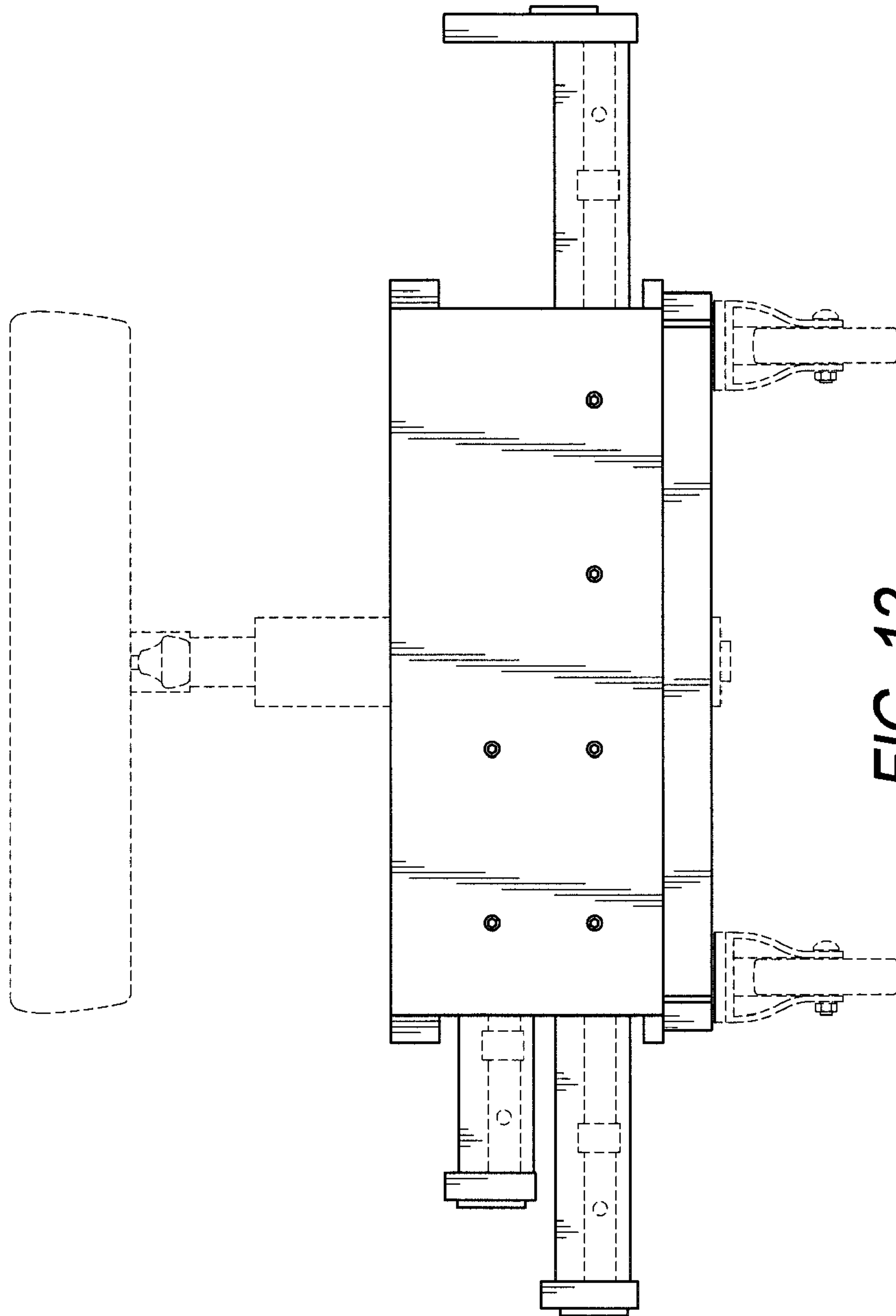


FIG. 12

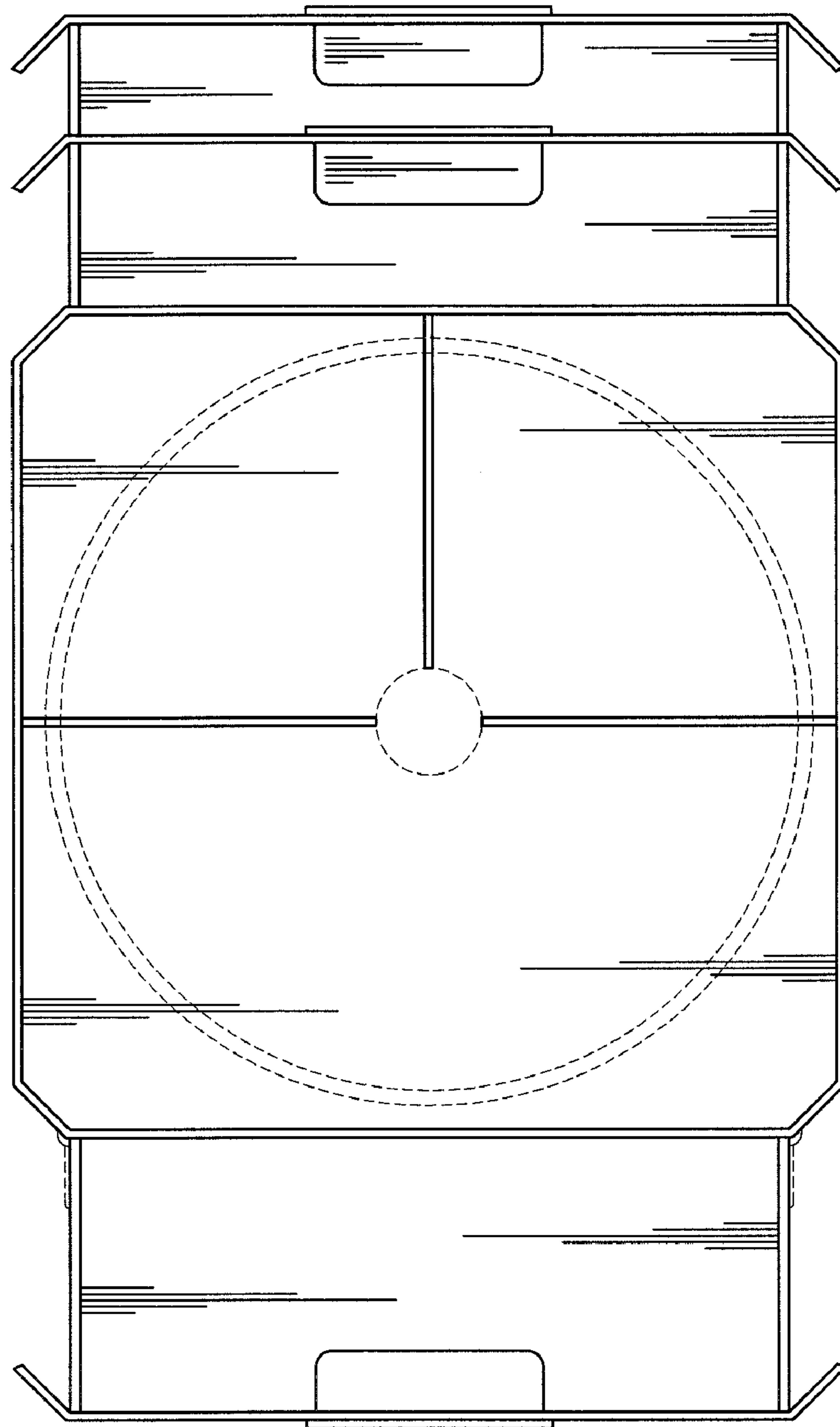


FIG. 13

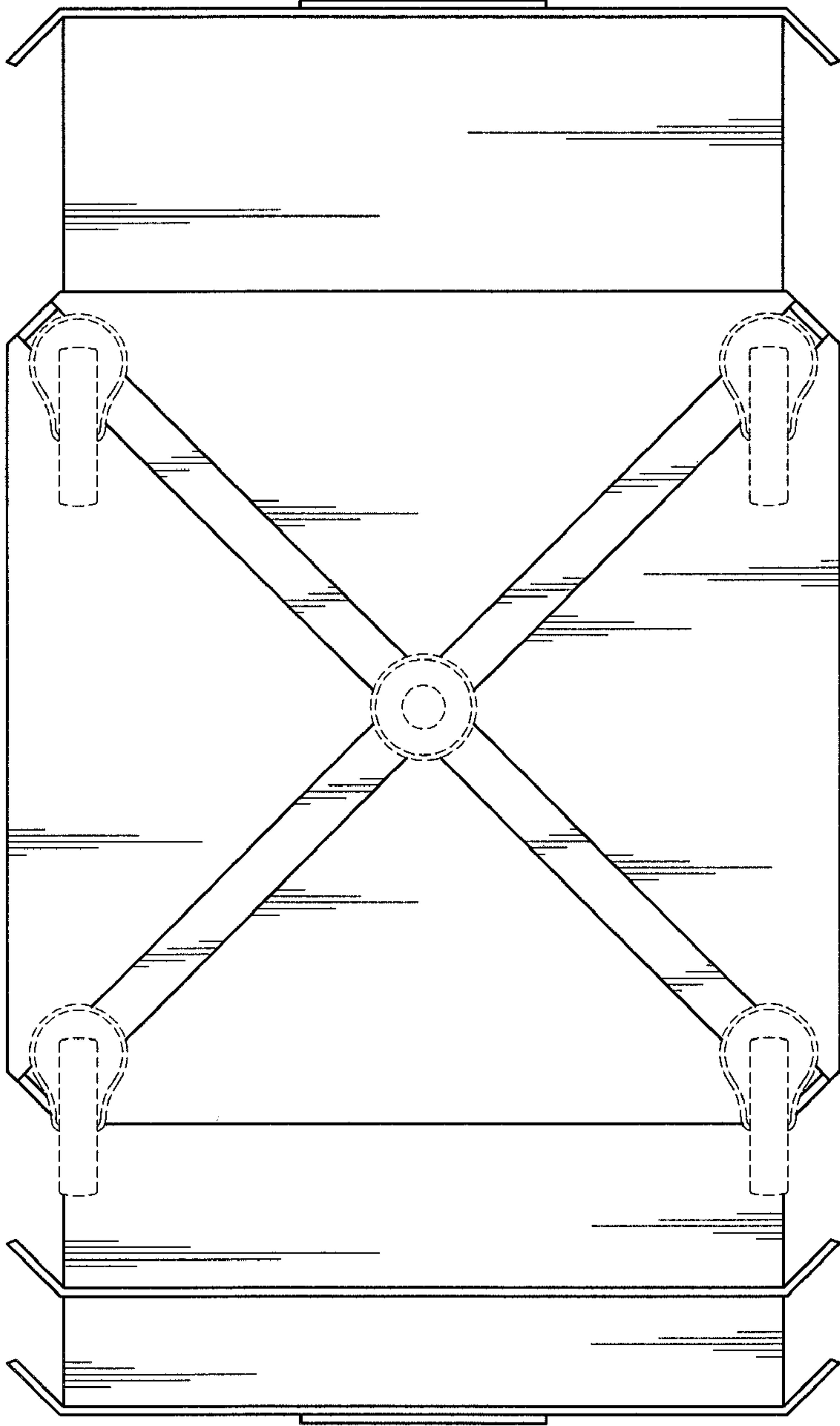


FIG. 14