



US00D617998S

(12) **United States Design Patent**
Goodman et al.

(10) **Patent No.:** **US D617,998 S**

(45) **Date of Patent:** **** Jun. 22, 2010**

(54) **OVER-THE-DOOR HAT AND COAT HOOK**

(75) Inventors: **Sheldon H. Goodman**, Solon, OH (US);
Omer I. Sazir, Cleveland, OH (US)

(73) Assignee: **Spectrum Diversified Designs, Inc.**,
Streetsboro, OH (US)

(**) Term: **14 Years**

(21) Appl. No.: **29/340,247**

(22) Filed: **Jul. 15, 2009**

(51) **LOC (9) Cl.** **06-08**

(52) **U.S. Cl.** **D6/323**

(58) **Field of Classification Search** D6/315,
D6/320, 323, 324, 328; 211/1, 13.1, 85.3;
223/85-98; D8/367, 371, 372, 373
See application file for complete search history.

(56) **References Cited**

U.S. PATENT DOCUMENTS

D159,261 S *	7/1950	Fiechter	D6/323
D195,123 S *	4/1963	Clayton	D8/367
D285,529 S *	9/1986	Huxhold et al.	D8/372
D304,545 S *	11/1989	Hurrelbrink	D8/373
D320,119 S *	9/1991	Chap et al.	D6/323
D322,361 S *	12/1991	Goodman et al.	D6/323

D326,021 S *	5/1992	Evenson	D6/323
D336,842 S *	6/1993	Hampshire	D8/372
D342,889 S *	1/1994	Adams	D8/367
D469,341 S *	1/2003	Knapp	D8/367
D516,325 S *	3/2006	Goodman et al.	D6/323
D573,449 S *	7/2008	Goodman et al.	D8/371
D607,713 S *	1/2010	Andrew	D8/367

* cited by examiner

Primary Examiner—Shanda C Hill

(74) *Attorney, Agent, or Firm*—Pearne & Gordon LLP

(57) **CLAIM**

The ornamental design for an over-the-door hat and coat hook, as shown and described.

DESCRIPTION

FIG. 1 is a perspective view of an over-the-door hat and coat hook showing our new design;

FIG. 2 is a top plan view thereof;

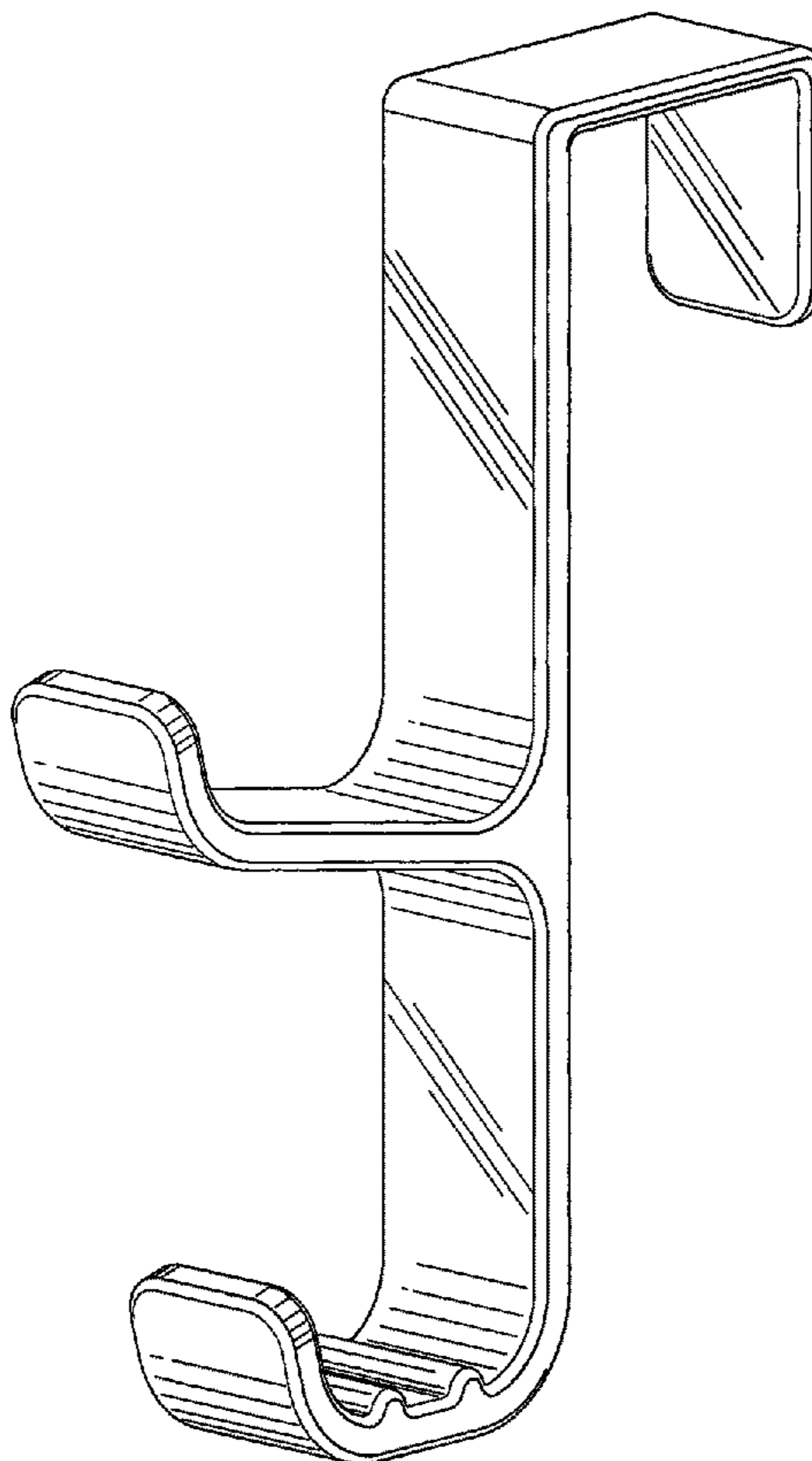
FIG. 3 is a front elevational view thereof;

FIG. 4 is a right side elevational view thereof, the left side elevational view being a mirror image;

FIG. 5 is a rear elevational view thereof; and,

FIG. 6 is a bottom plan view thereof.

1 Claim, 2 Drawing Sheets



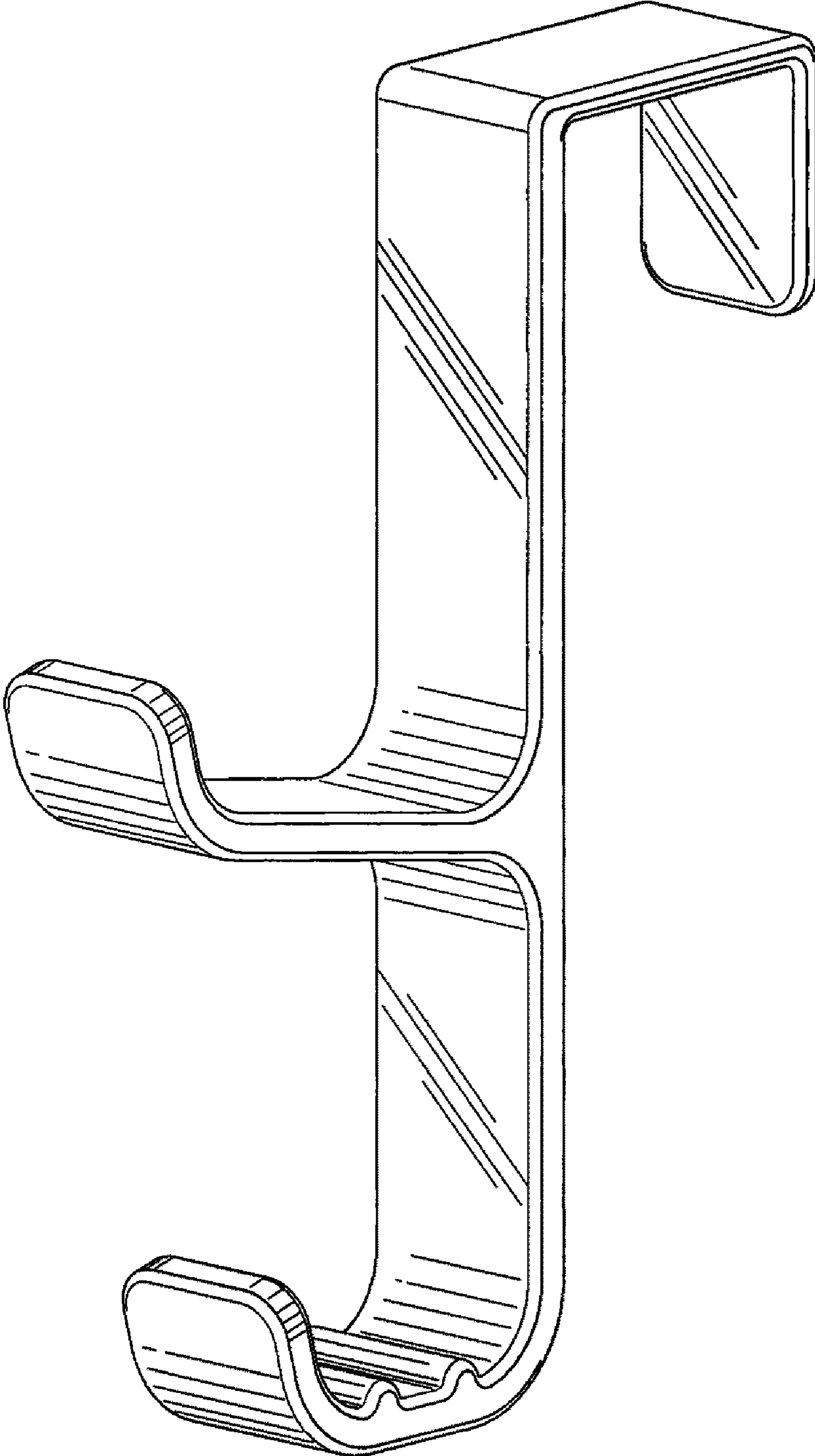


FIG. 1

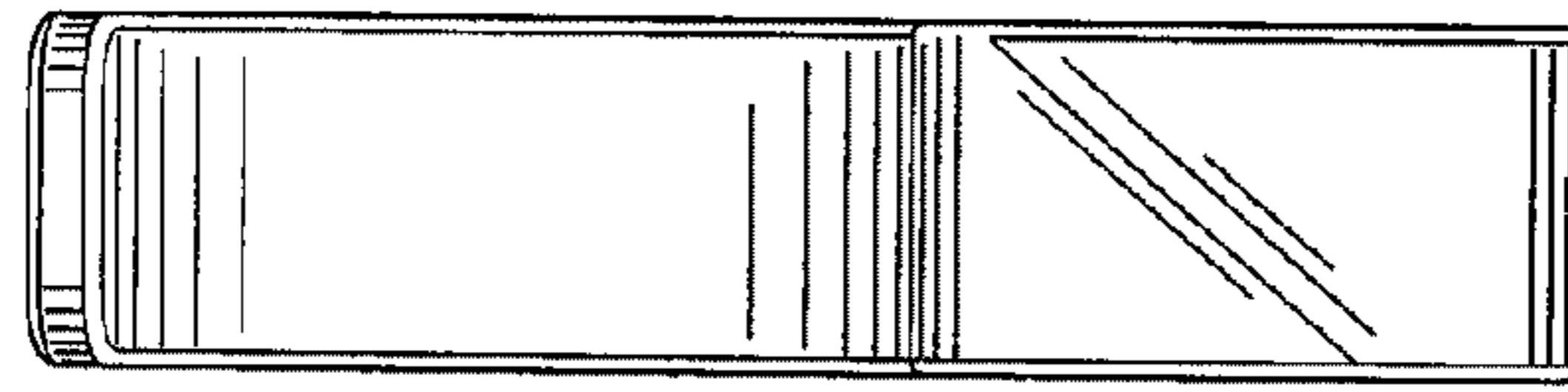


FIG. 2

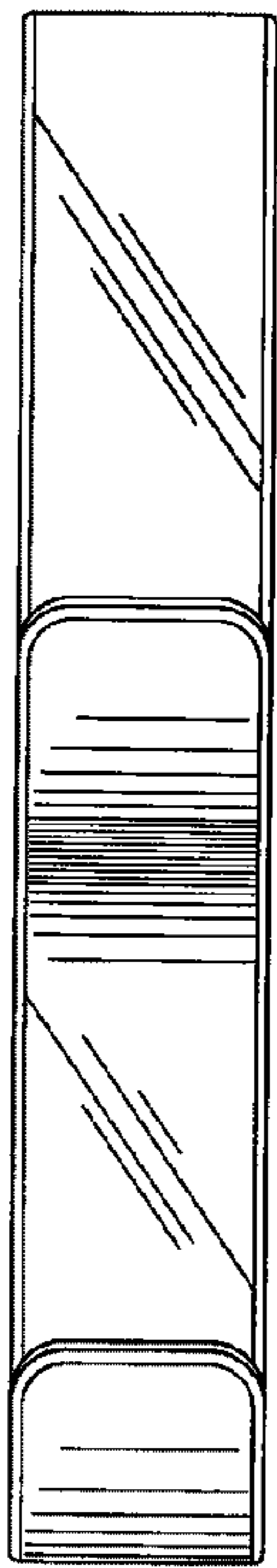


FIG. 3

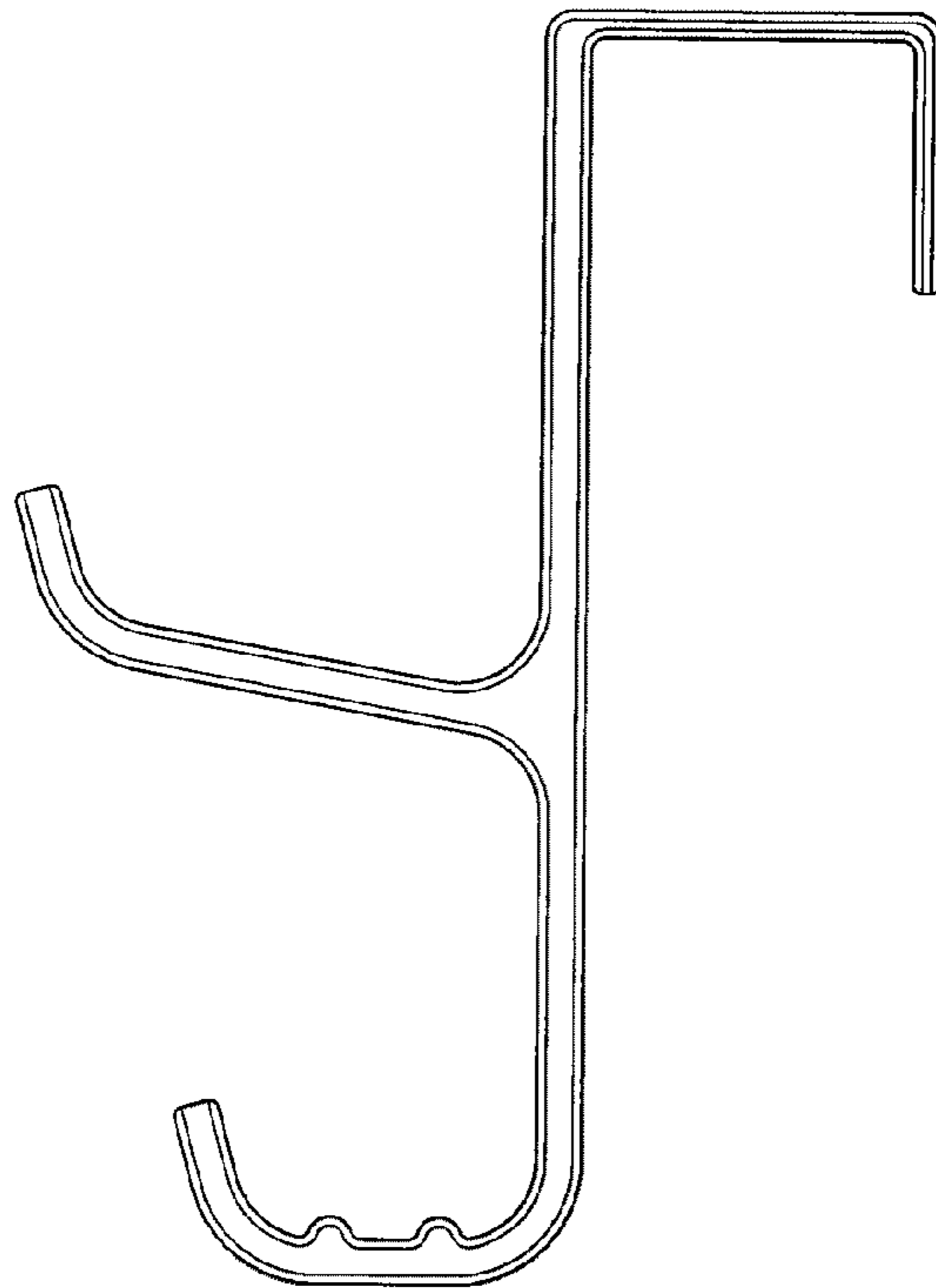


FIG. 4

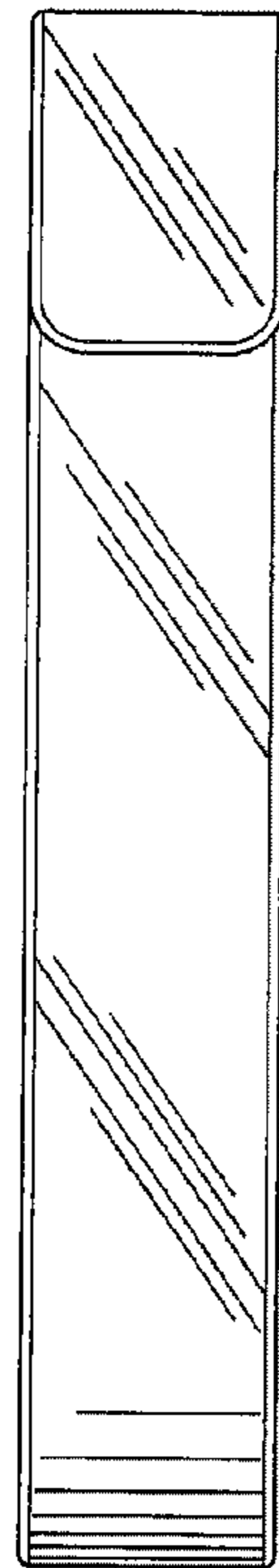


FIG. 5

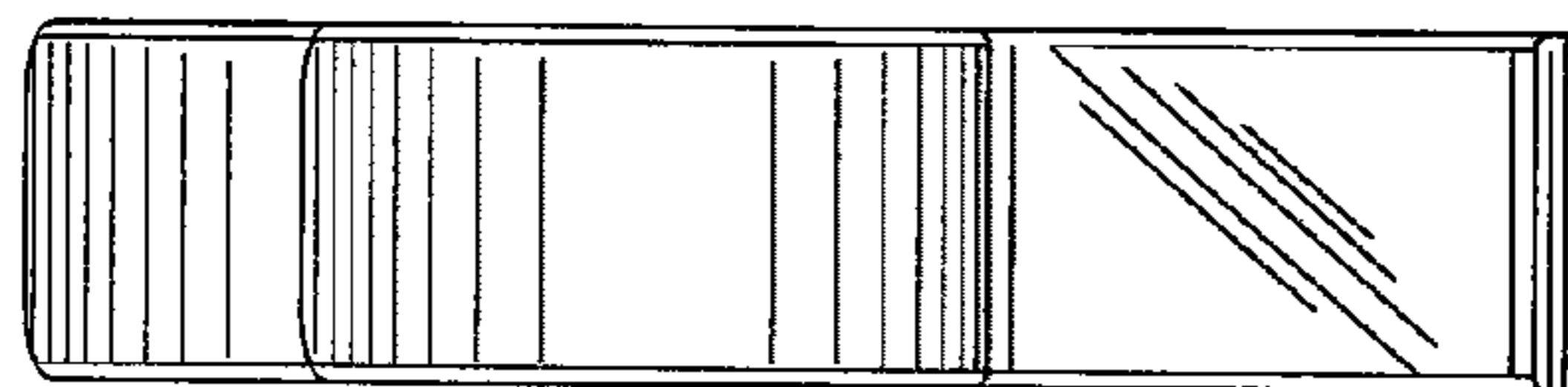


FIG. 6