



US00D617992S

(12) **United States Design Patent**
Gold et al.

(10) **Patent No.:** **US D617,992 S**

(45) **Date of Patent:** **** Jun. 22, 2010**

(54) **BATHING BRUSH**

KR 20-2008-0004692 U * 10/2008

(76) Inventors: **Jonathan Morris Gold**, c/o Brother Max Limited, Calleo House, 49 Theobald Street, Borehamwood (GB) WD6 4RT; **Daniel Jason Tyler**, c/o Brother Max Limited, Calleo House, 49 Theobald Street, Borehamwood (GB) WD6 4RT

OTHER PUBLICATIONS

Wooden Massage Brush—Item No. 9702W. Bath Products Page [online], Ningbo Chungfat Brushes Co., Ltd, 2006 [retrieved on Oct. 13, 2006]. Retrieved from the Internet: <URL: http://www.chinachungfat.com>.*

* cited by examiner

Primary Examiner—Melanie H Tung
Assistant Examiner—Lavone D Tabor

(**) Term: **14 Years**

(21) Appl. No.: **29/320,221**

(57) **CLAIM**

(22) Filed: **Jun. 24, 2008**

The ornamental design for a bathing brush, as shown and described.

(51) **LOC (9) Cl.** **04-02**

(52) **U.S. Cl.** **D4/136; D28/63**

(58) **Field of Classification Search** D4/120, D4/133, 134, 136, 138; 132/313; 15/159.1, 15/160, 186–188, 106, 110, 143.1; D24/211, D24/212, 214, 215; D28/63; 16/430; 601/135–137
See application file for complete search history.

DESCRIPTION

FIG. 1 is a perspective view of a bathing brush showing our new design;

FIG. 2 is a side elevational view thereof;

FIG. 3 is a side elevational view thereof, opposite that shown in FIG. 2;

FIG. 4 is a rear elevational view thereof;

FIG. 5 is a front elevational view thereof;

FIG. 6 is a bottom plan view thereof; and,

FIG. 7 is a top plan view thereof.

The broken lines immediately adjacent the shaded areas represent boundaries while the broken lines showing part of the head illustrate a portion of the bathing brush that along with said boundaries form no part of the claimed design.

(56) **References Cited**

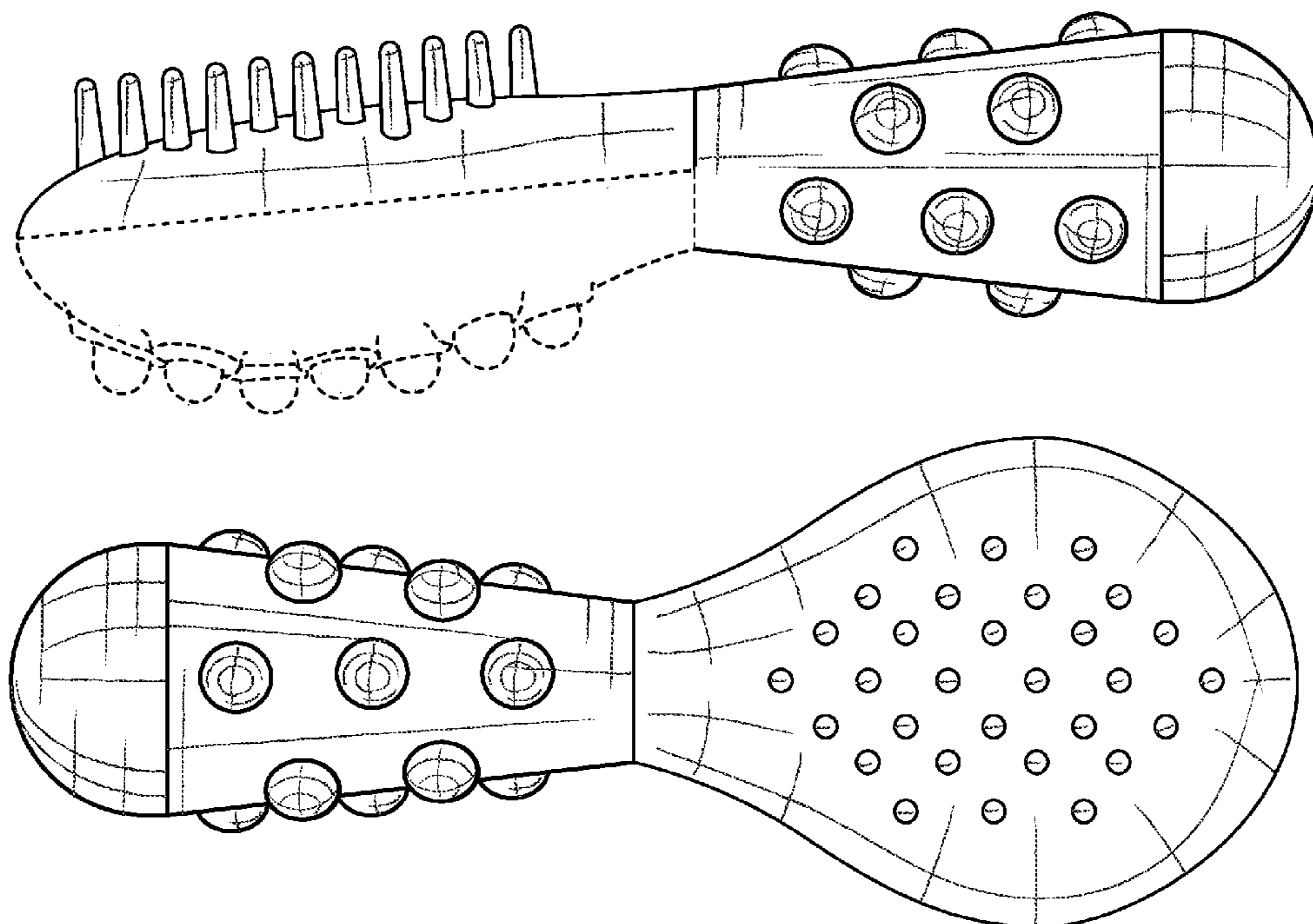
U.S. PATENT DOCUMENTS

D370,349 S *	6/1996	Yu	D4/136
6,370,723 B1 *	4/2002	Chang	15/110
D512,225 S *	12/2005	Chien	D4/120
D576,799 S *	9/2008	Veizin et al.	D4/111
2007/0149900 A1 *	6/2007	Lin	601/15

FOREIGN PATENT DOCUMENTS

JP	09173147 A *	7/1997
KR	0231770 S *	2/1998

1 Claim, 7 Drawing Sheets



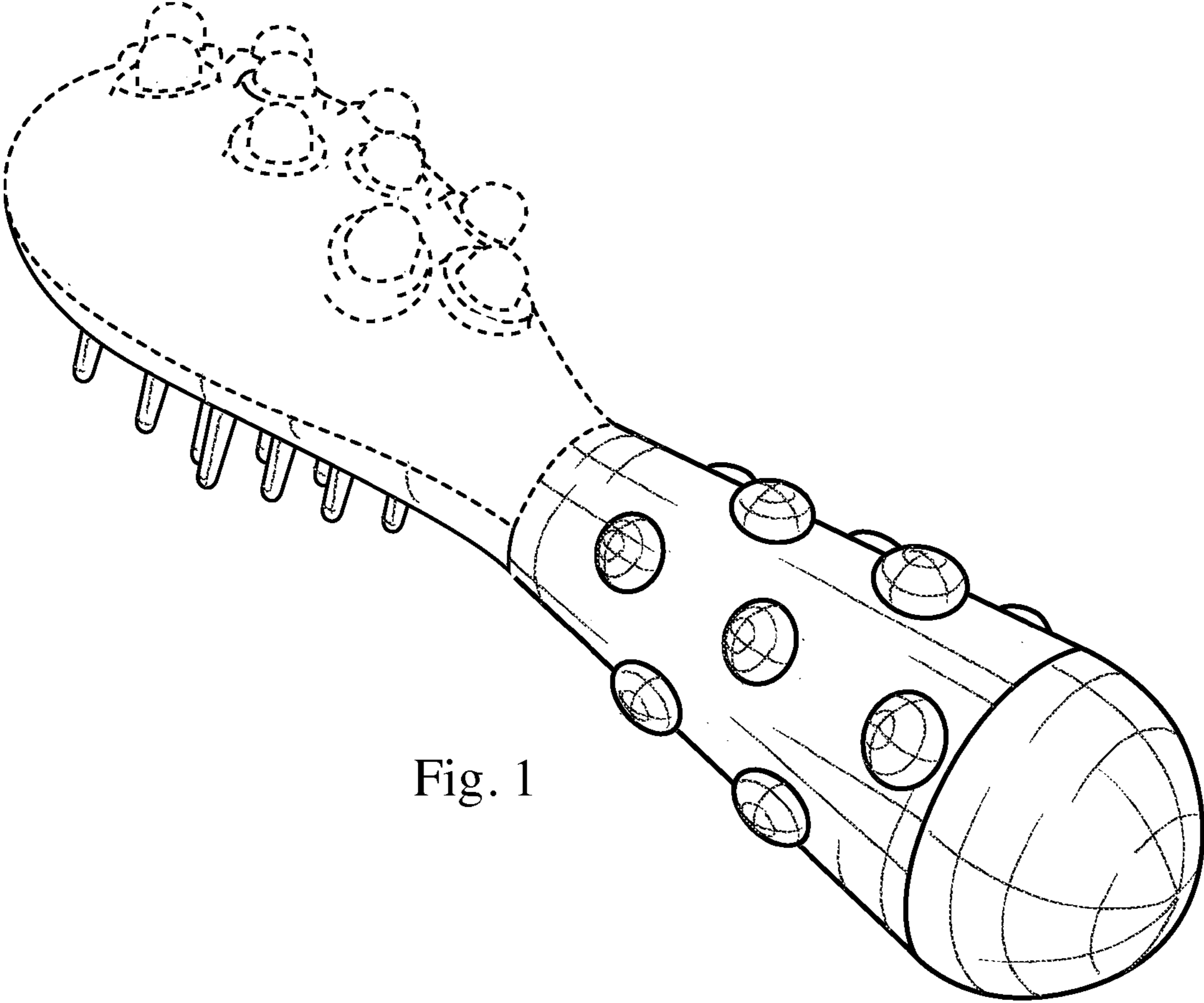


Fig. 1

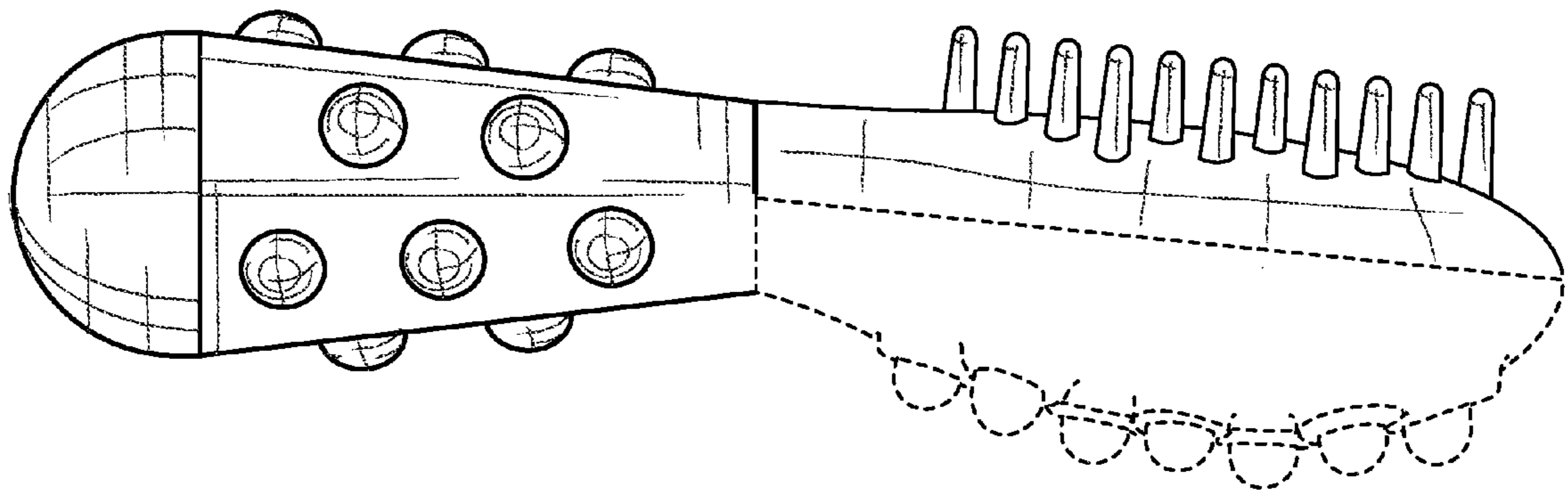


Fig. 2

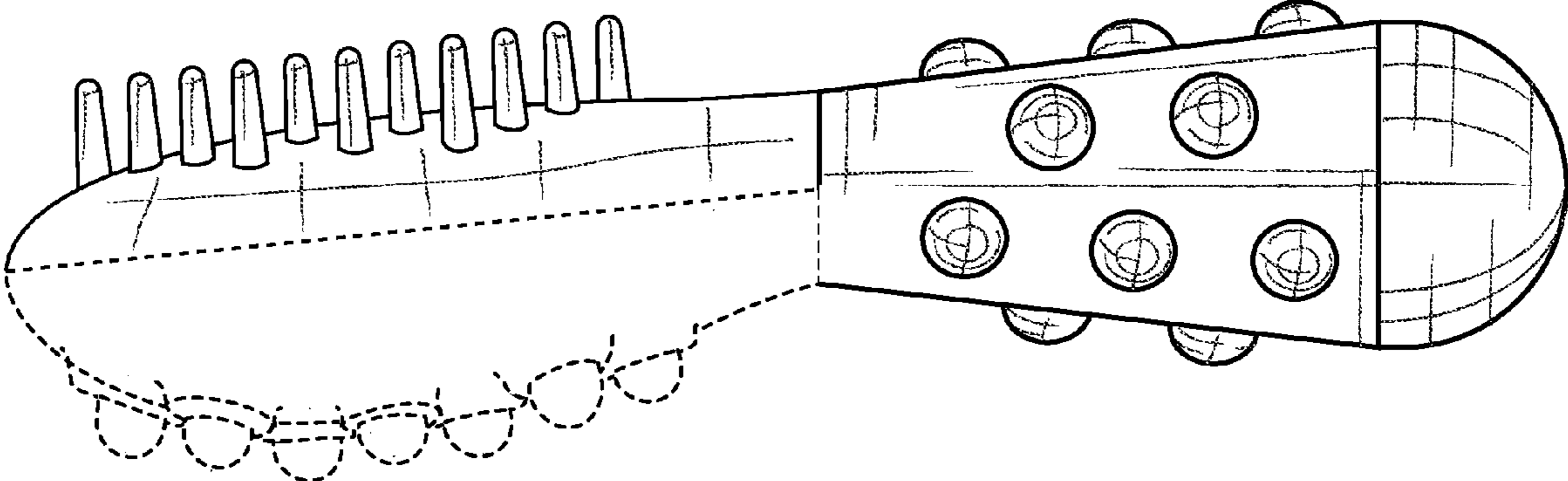


Fig. 3

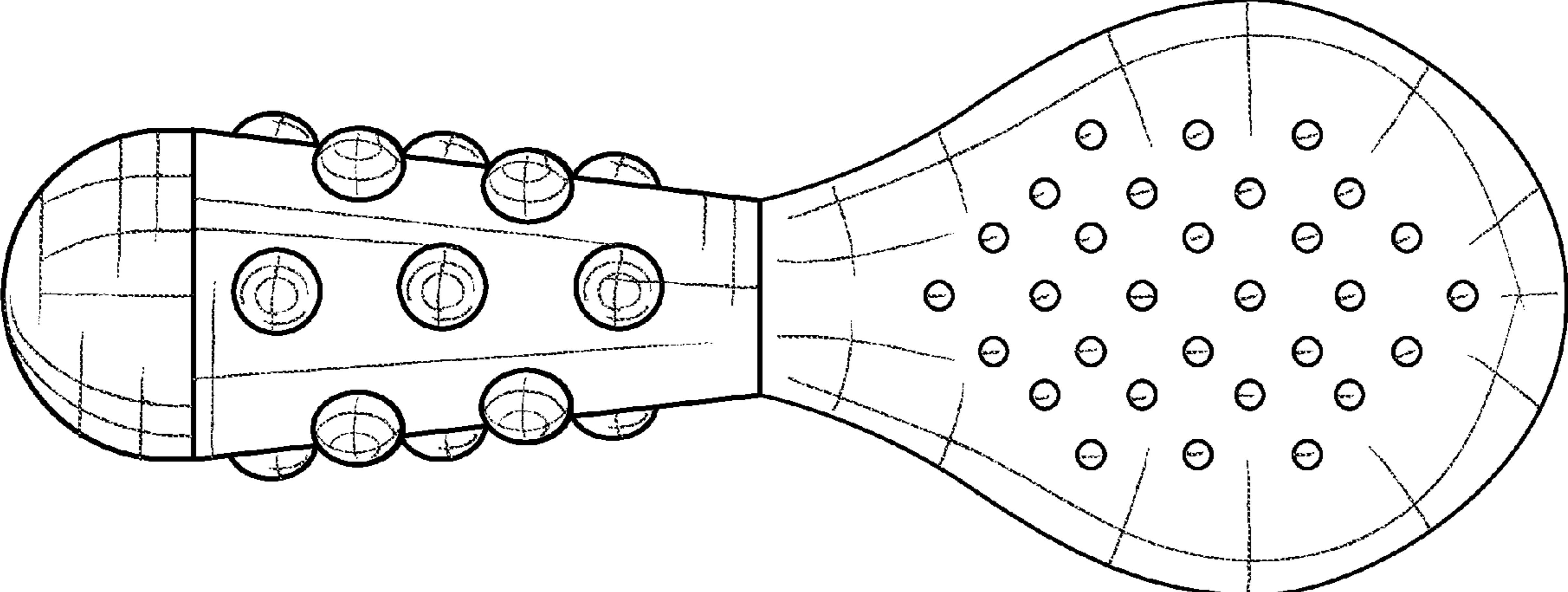


Fig. 4

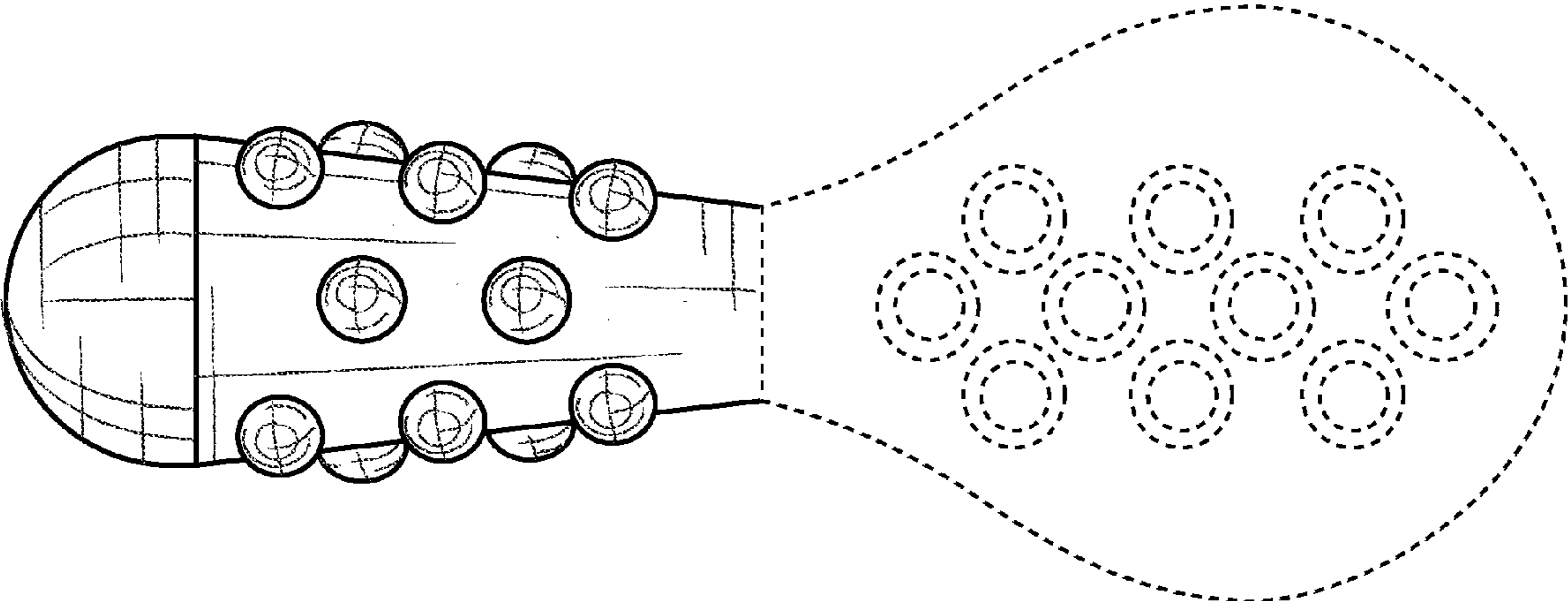


Fig. 5

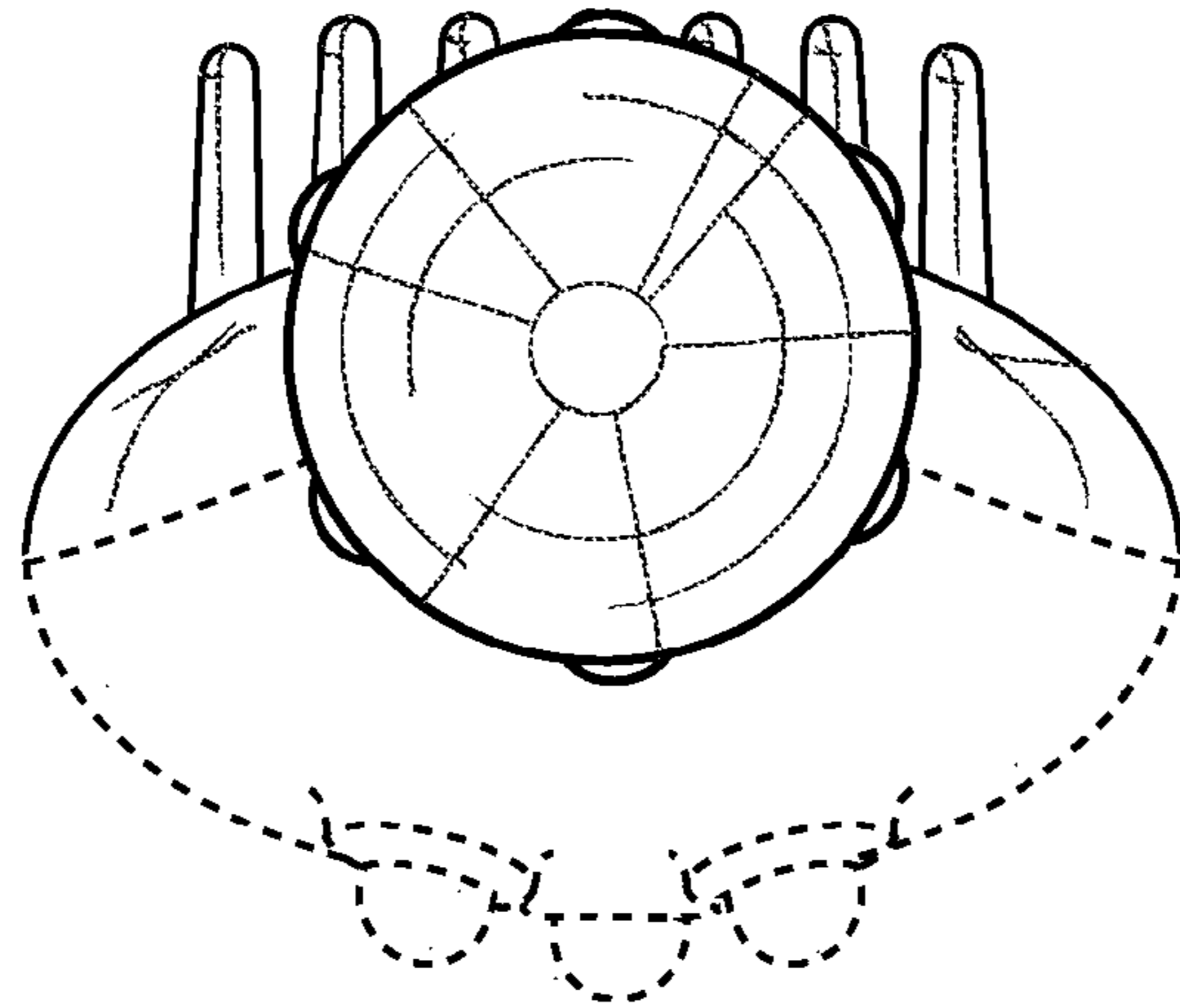


Fig. 6

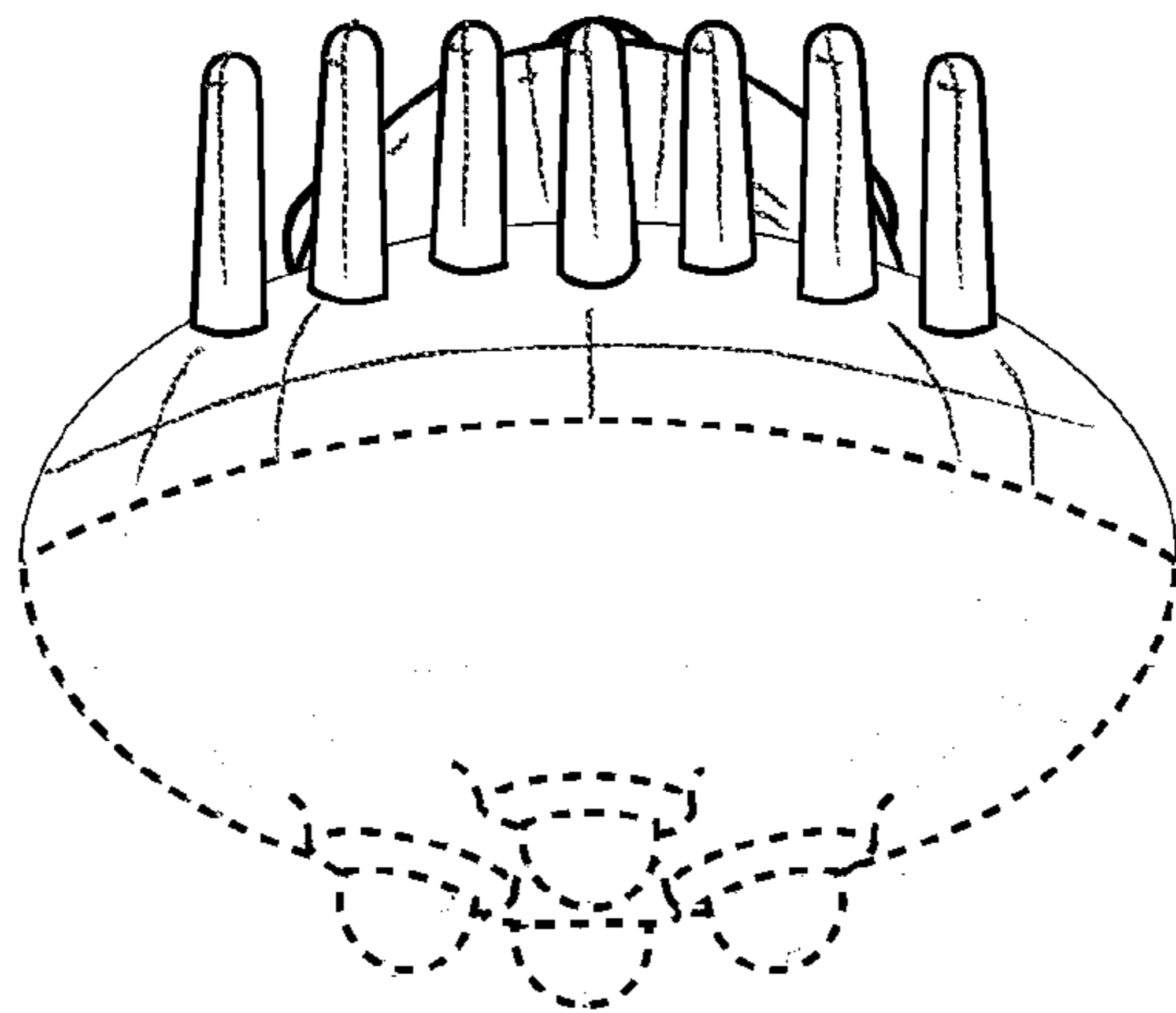


Fig. 7