



US00D617990S

(12) **United States Design Patent**  
**Liao**

(10) **Patent No.:** **US D617,990 S**

(45) **Date of Patent:** **\*\* Jun. 22, 2010**

(54) **TOOL BRACKET**

(76) Inventor: **Ying-Chieh Liao**, 3F.-5, No. 262, Sec. 2,  
Henan Rd., Situn District, Taichung City  
407 (TW)

(\*\*) Term: **14 Years**

(21) Appl. No.: **29/350,704**

(22) Filed: **Nov. 20, 2009**

(51) **LOC (9) Cl.** ..... **03-01**

(52) **U.S. Cl.** ..... **D3/313**

(58) **Field of Classification Search** ..... D3/304-314,  
D3/282, 201, 228, 315, 319; D19/75, 78,  
D19/86, 90, 91, 99, 100; D6/566, 567, 569,  
D6/512, 553; 211/10, 11, 13.1, 45, 50, 52,  
211/55, 87.01, 90.03, 126.9, 126.13, 88.01;  
220/456, 9.4, 6, 7, 600, 1.5, 4.26, 4.28, 676;  
206/503, 505, 509; D8/373

See application file for complete search history.

(56) **References Cited**

**U.S. PATENT DOCUMENTS**

D268,306 S \* 3/1983 Morton ..... D3/313  
4,406,368 A \* 9/1983 Hermes ..... 206/371  
D394,750 S \* 6/1998 Iversen et al. .... D3/313  
D394,775 S \* 6/1998 Anderson et al. .... D6/574

D429,071 S \* 8/2000 Hurt ..... D3/315  
D487,194 S \* 3/2004 Liu ..... D3/319  
6,837,383 B1 \* 1/2005 McElhaney, Jr. .... 211/70.6  
7,219,807 B2 \* 5/2007 Kao ..... 211/70.6  
7,506,770 B2 \* 3/2009 Rief ..... 211/70.6

\* cited by examiner

*Primary Examiner*—T. Chase Nelson

*Assistant Examiner*—Ania K Dworzecka

(74) *Attorney, Agent, or Firm*—Banger Shia

(57) **CLAIM**

I claim the ornamental design for a tool bracket, as shown and described.

**DESCRIPTION**

FIG. 1 is a perspective view of a tool bracket showing my design;

FIG. 2 is a front elevation view thereof;

FIG. 3 is a rear elevation view thereof;

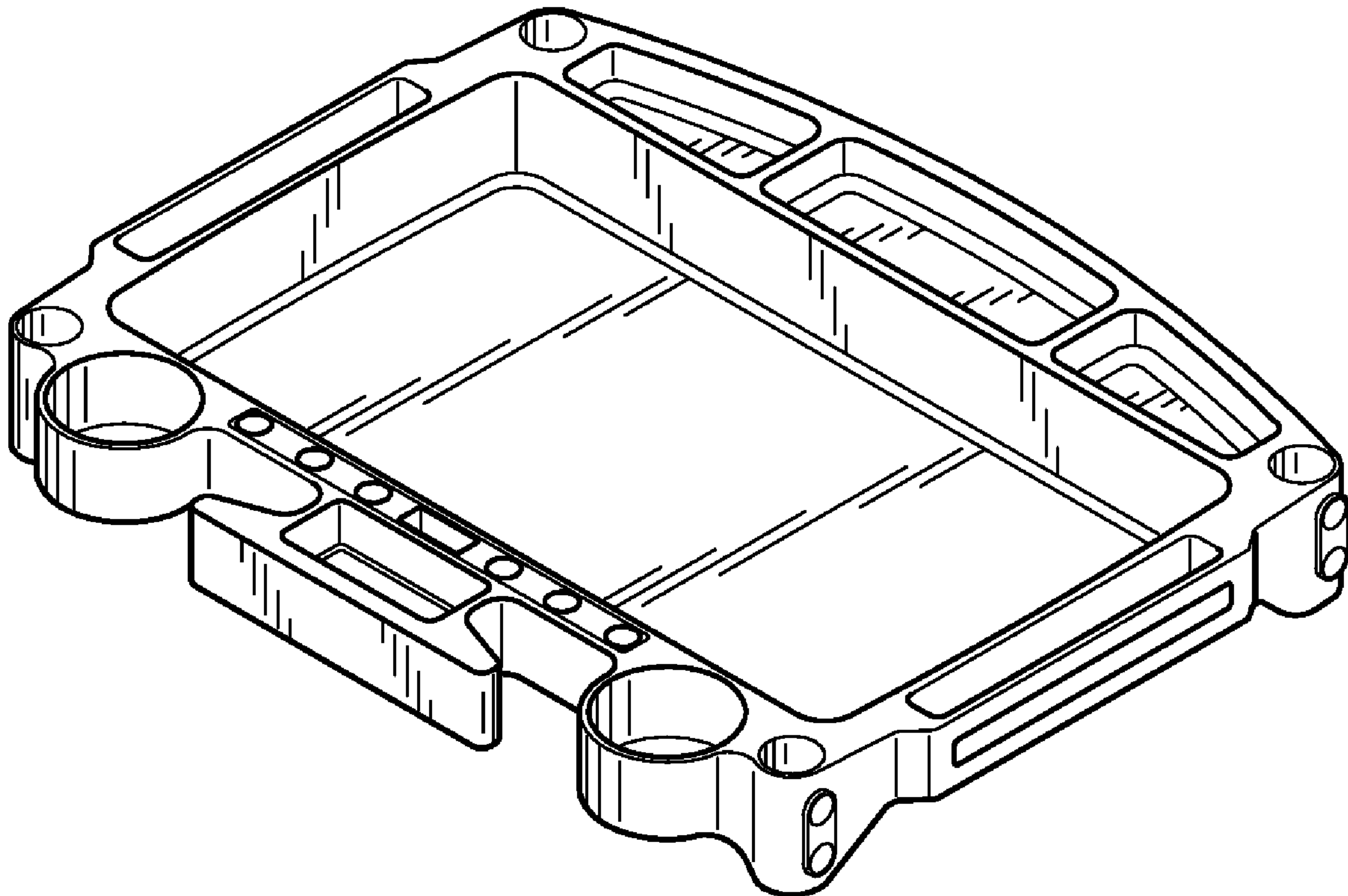
FIG. 4 is a left elevation view thereof;

FIG. 5 is a right elevation view thereof;

FIG. 6 is a top plan view thereof; and,

FIG. 7 is a bottom plan view thereof.

**1 Claim, 4 Drawing Sheets**



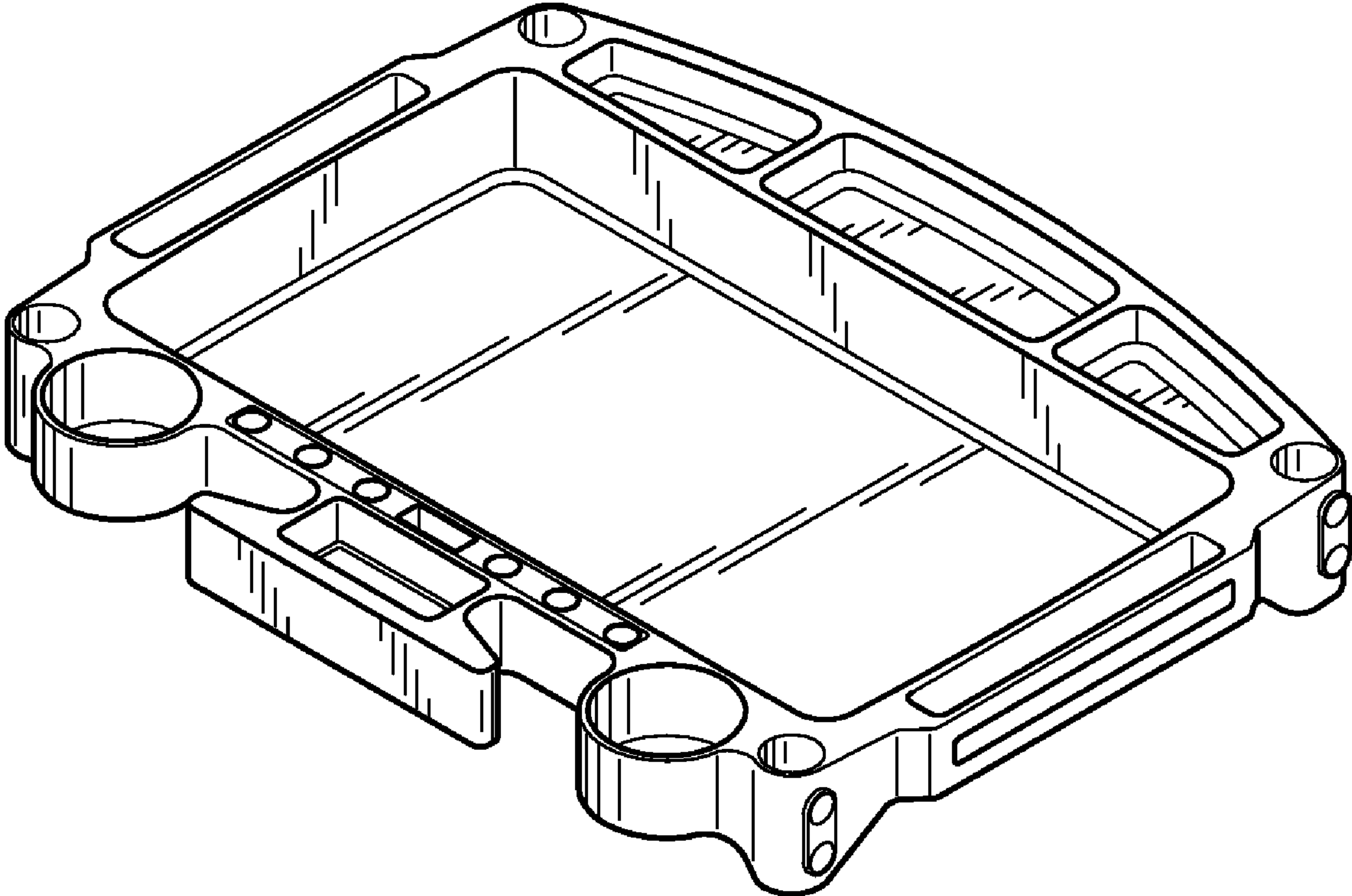


FIG. 1

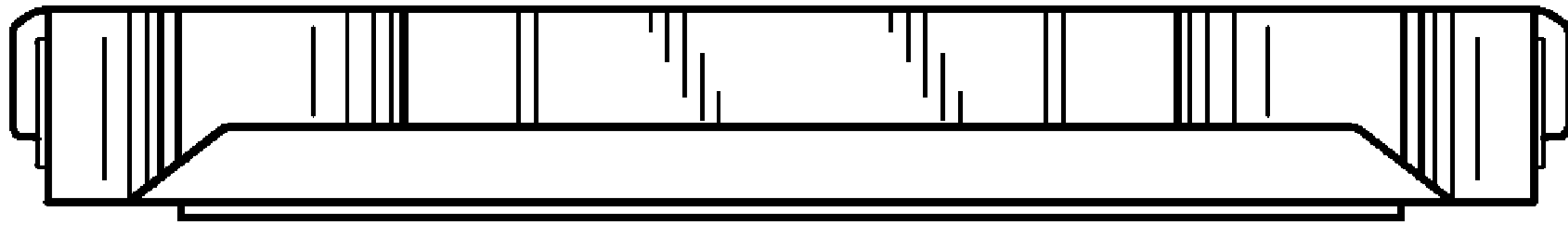


FIG. 2

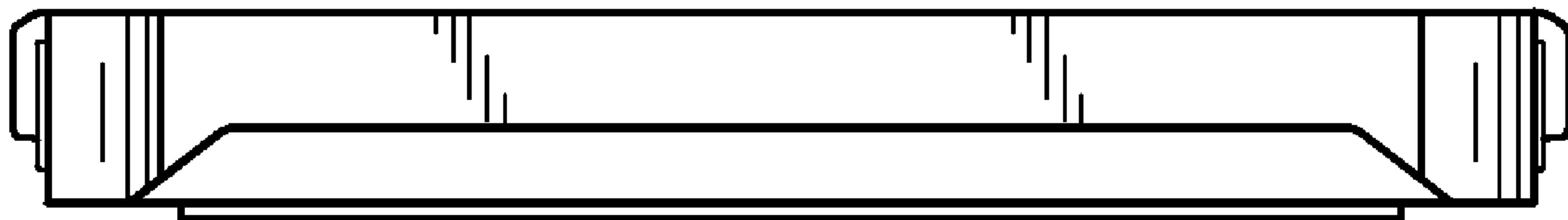


FIG. 3

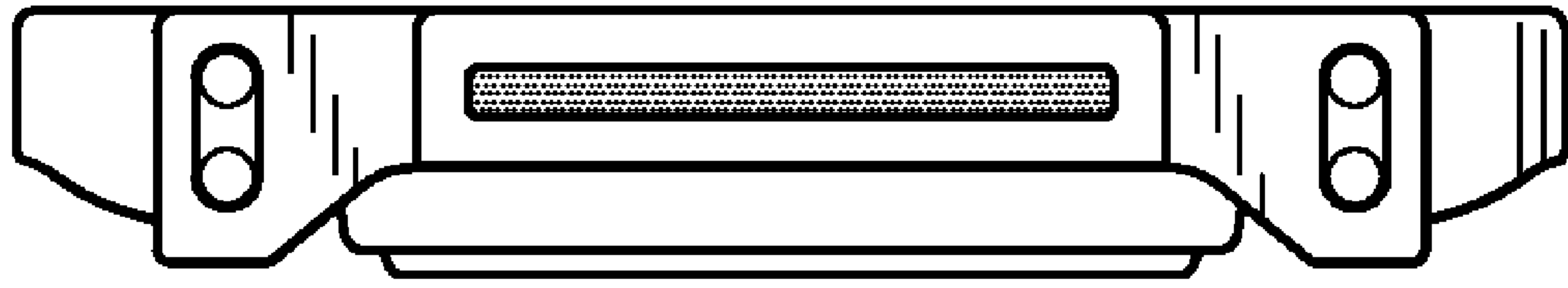


FIG. 4

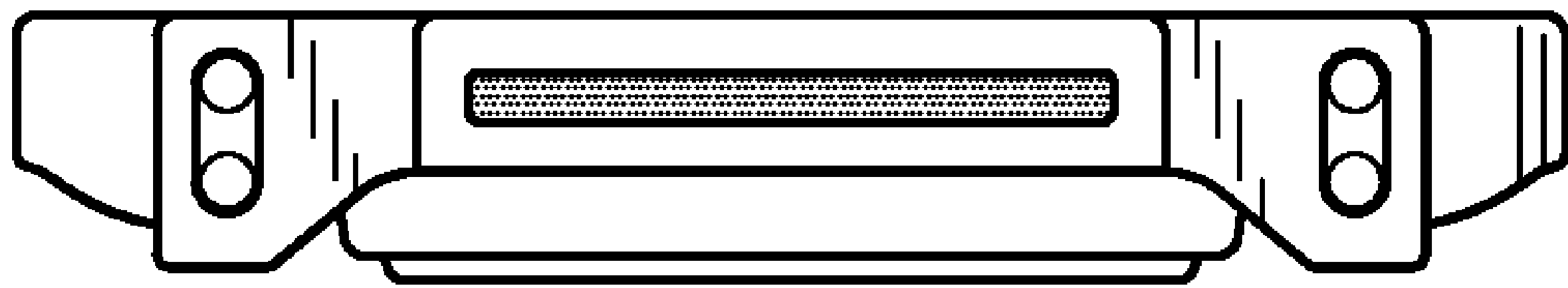


FIG. 5

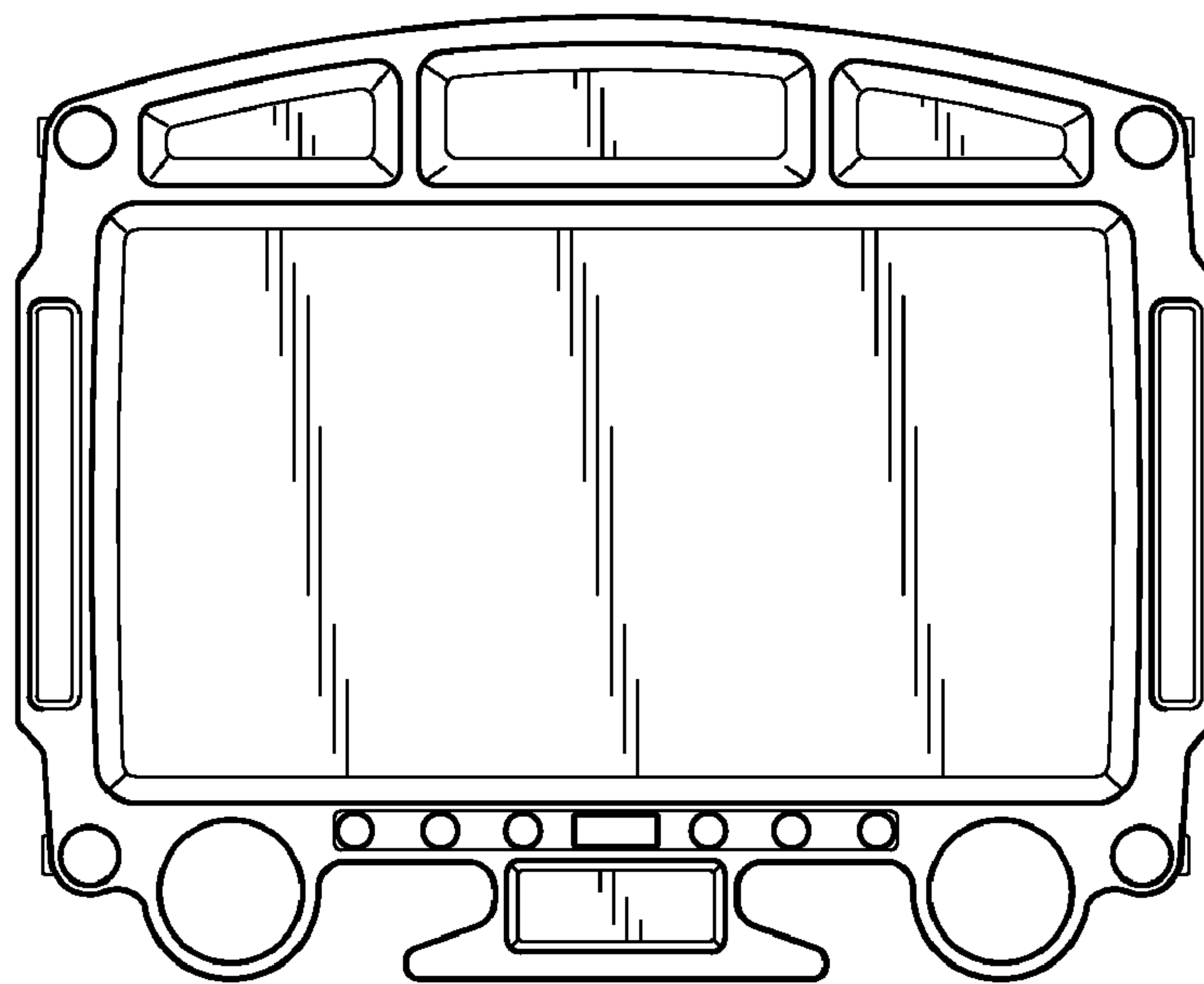


FIG. 6

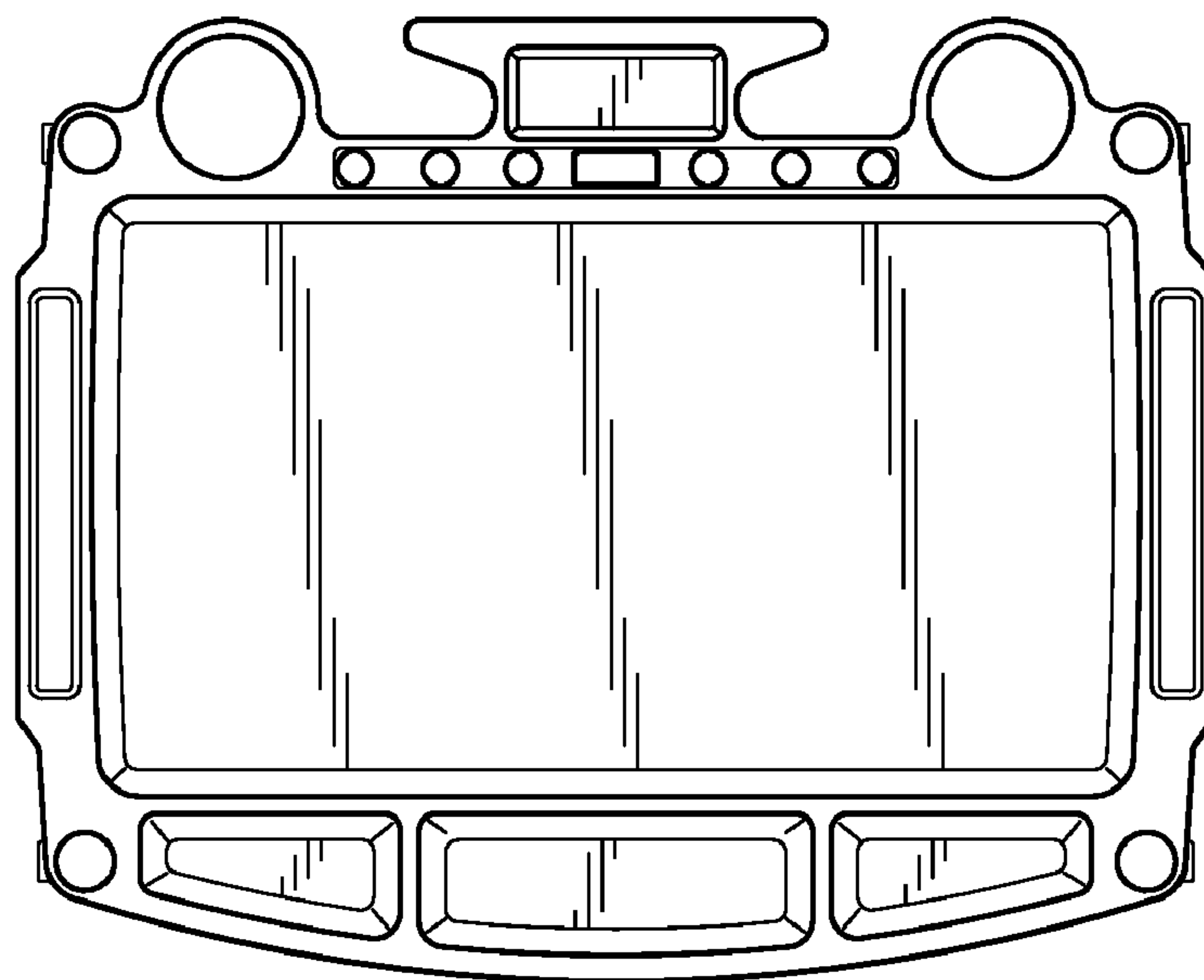


FIG. 7