



US00D617989S

(12) **United States Design Patent**
Naden et al.

(10) **Patent No.:** **US D617,989 S**
(45) **Date of Patent:** **** Jun. 22, 2010**

(54) **ORGANIZER**

(75) Inventors: **Mark C. Naden**, New York, NY (US);
Nicholas A. Oxley, New York, NY (US);
Inbal P. Austern, Brooklyn, NY (US)

(73) Assignee: **Helen of Troy Limited**, St. Michael
(BB)

(**) Term: **14 Years**

(21) Appl. No.: **29/334,155**

(22) Filed: **Mar. 20, 2009**

(51) **LOC (9) Cl.** **03-01**
(52) **U.S. Cl.** **D3/304**
(58) **Field of Classification Search** D3/304,
D3/305, 205, 206, 307-314; D9/414, 424,
D9/425, 432; D19/86, 90, 92, 100, 77, 75,
D19/85; 206/203, 214, 215, 307.1, 159,
206/161, 455, 504, 371; 229/23.2-23.8,
229/4.29, 4.31, 675, 674, 790, 796, 797

See application file for complete search history.

(56) **References Cited**

U.S. PATENT DOCUMENTS

101,062 A	3/1870	Thompson	
369,318 A	9/1887	Craine	
981,659 A	1/1911	King	
988,180 A	3/1911	Engelberg	
1,306,585 A	6/1919	Droege et al.	
1,485,092 A	2/1924	Rauchut	
1,563,817 A	12/1925	Wright	
1,588,271 A *	6/1926	Saint et al.	220/23.2
1,589,616 A	6/1926	Alford	
1,609,666 A	12/1926	Settevig	
1,674,581 A	6/1928	Webb	
1,958,772 A	5/1934	Stewart	
2,379,060 A	6/1945	Bacheldor	
2,579,878 A	12/1951	Stone	
2,815,855 A *	12/1957	Fisher	206/159
2,869,209 A	1/1959	Kautzky	
3,178,141 A	4/1965	Bloom	
3,343,706 A *	9/1967	Berend	220/23.4

3,422,960 A	1/1969	Ell et al.	
D235,621 S *	7/1975	Cawrse	D9/425
4,134,499 A	1/1979	Joswig	
4,763,797 A	8/1988	Egan	
4,798,298 A	1/1989	Ursetta	
4,889,254 A *	12/1989	Vola	220/23.4
D308,272 S *	5/1990	Koepsell	D34/6
D313,556 S *	1/1991	Smith	D9/425
4,982,858 A *	1/1991	von Holdt	220/23.4
5,050,755 A *	9/1991	Strawder	220/23.4

(Continued)

Primary Examiner—Robert M Spear
Assistant Examiner—Rashida C McCoy
(74) *Attorney, Agent, or Firm*—Seyfarth Shaw LLP

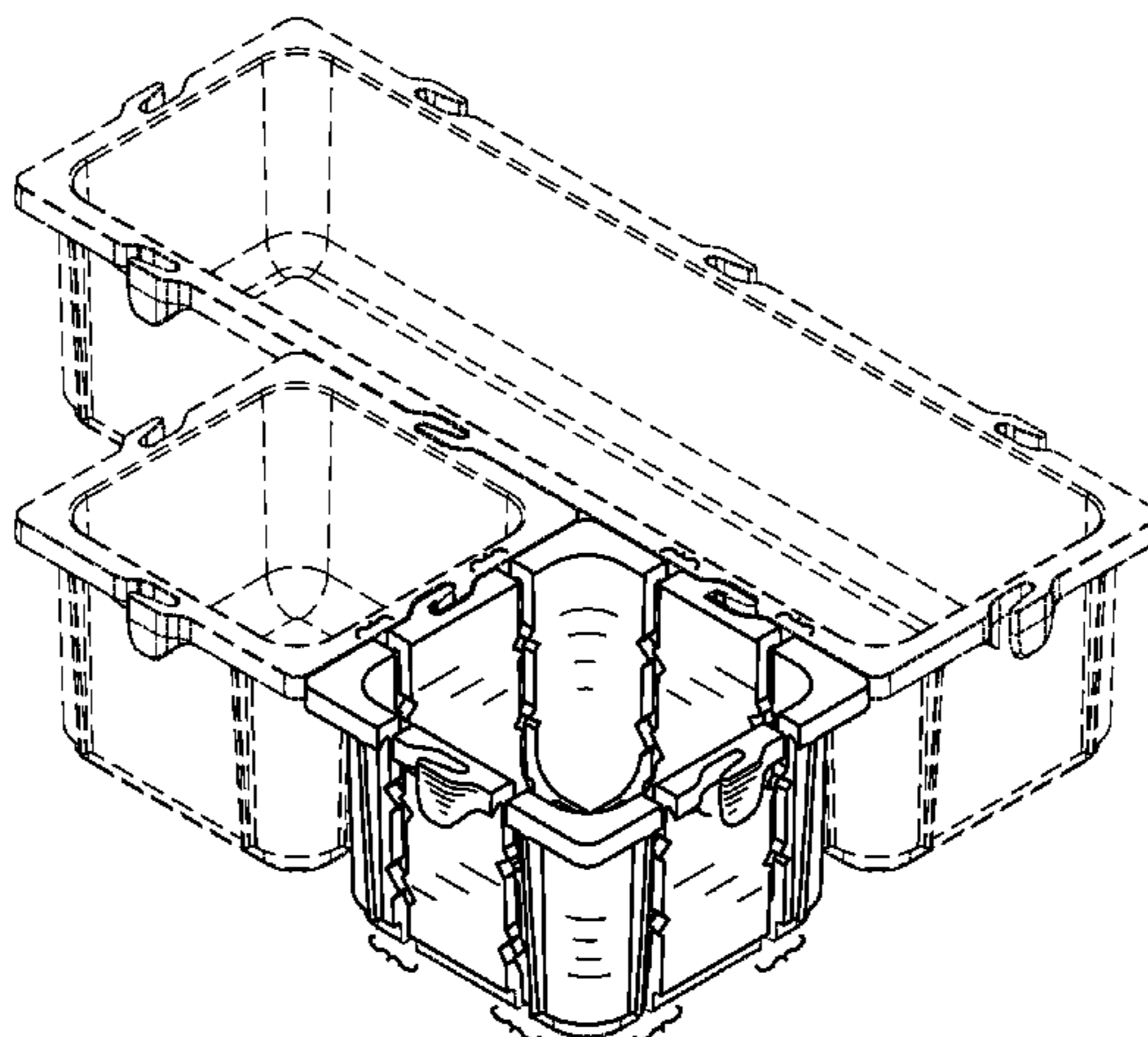
(57) **CLAIM**

The ornamental design for an organizer, as shown and described.

DESCRIPTION

FIG. 1 is a perspective view of an environment including an organizer of my new design and forms thereof;
FIG. 2 is a perspective view of the organizer of FIG. 1 thereof;
FIG. 3 is a top plan view of the organizer or FIG. 1 thereof;
FIG. 4 is a side elevational view of the organizer of FIG. 1 thereof; and,
FIG. 5 is a bottom plan view of the organizer of FIG. 1 thereof.
The stippled lines of the Figures are for the purpose of illustrating portions of the organizer and form no part of the claimed design.
The separations and brackets of the Figures are for the purpose of illustrating indeterminate length of the organizer and form no part of the claimed design

1 Claim, 5 Drawing Sheets



US D617,989 S

Page 2

U.S. PATENT DOCUMENTS

5,071,095	A	12/1991	Newby						
5,092,480	A *	3/1992	Waterston	220/23.4	5,836,563	A	11/1998	Hsin-Yung	
5,156,288	A *	10/1992	Levy	220/4.29	D404,231	S	1/1999	Woodring	
5,181,297	A *	1/1993	Andrews et al.	24/336	D407,929	S	4/1999	Woodring	
5,183,164	A	2/1993	Heinzle		D411,768	S	7/1999	Woodring	
5,184,836	A *	2/1993	Andrews et al.	280/79.5	D421,335	S *	3/2000	Linard	D3/314
5,215,205	A *	6/1993	Behlman	220/4.31	D430,372	S *	8/2000	Howard et al.	D34/1
5,263,576	A *	11/1993	Boreen et al.	206/455	6,105,915	A	8/2000	Naman et al.	
5,303,831	A	4/1994	Miller		6,152,312	A	11/2000	Nava et al.	
5,342,010	A	8/1994	Huang		D447,303	S *	8/2001	Howard et al.	D34/1
5,353,923	A	10/1994	Skeels		6,474,612	B2	11/2002	Ross, Jr.	
5,465,935	A	11/1995	Wilbs		6,533,234	B2	3/2003	Dervaes	
5,601,196	A	2/1997	Heer et al.		D530,516	S *	10/2006	Snell	D3/304
5,810,187	A	9/1998	Woodring		D547,064	S *	7/2007	Snell	D3/304
					D547,177	S *	7/2007	Sherman et al.	D9/425

* cited by examiner

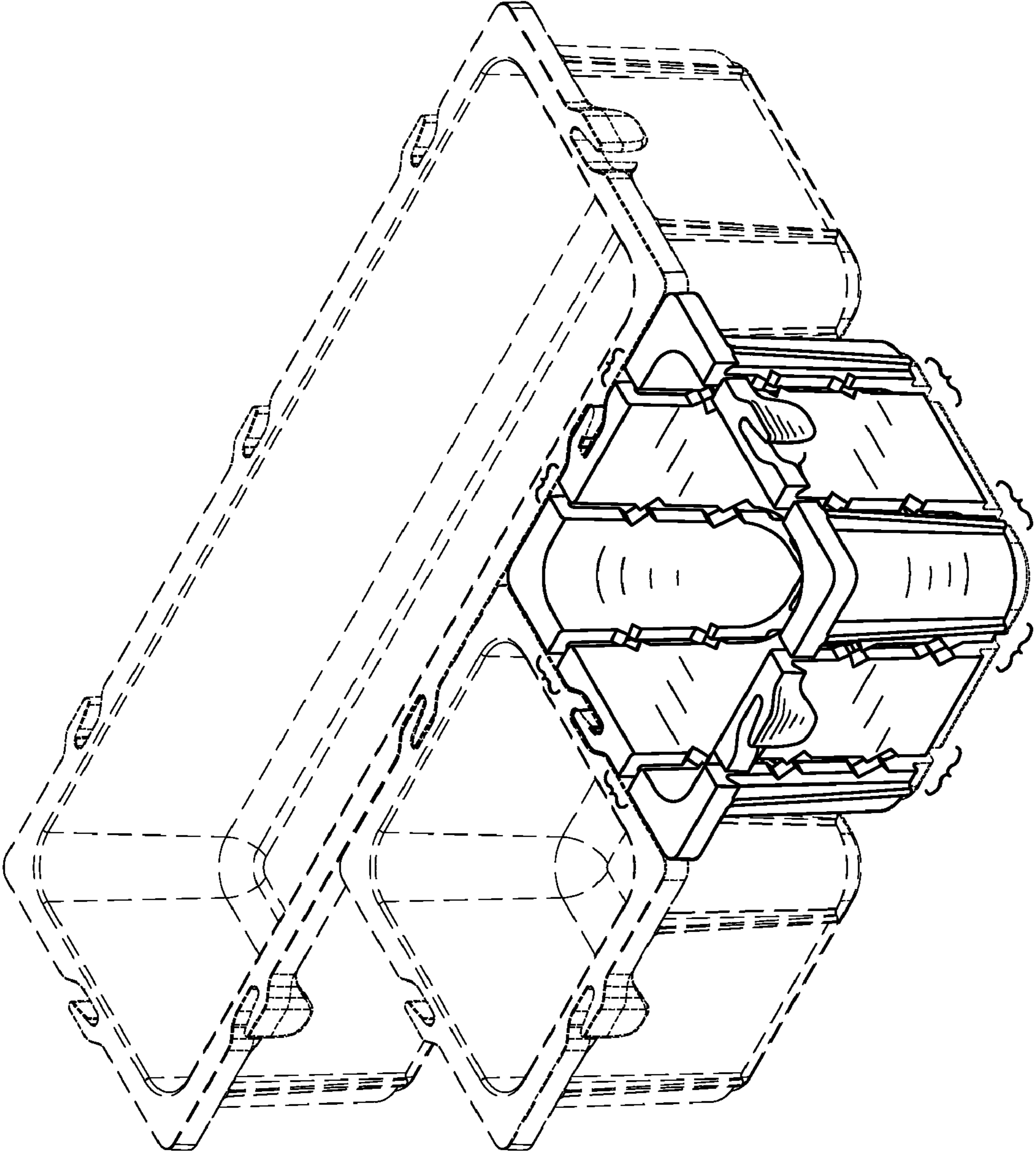


FIG. 1

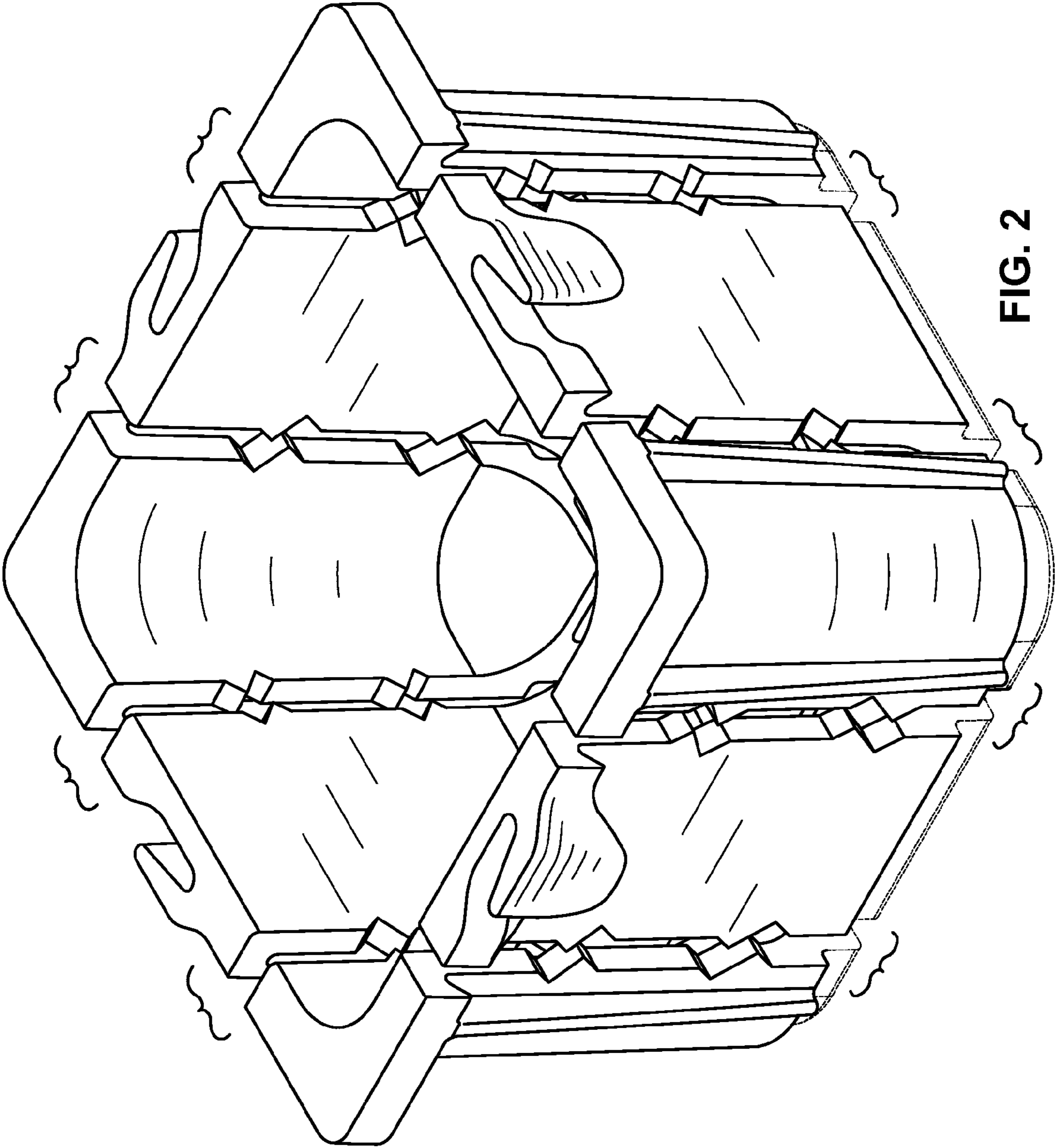


FIG. 2

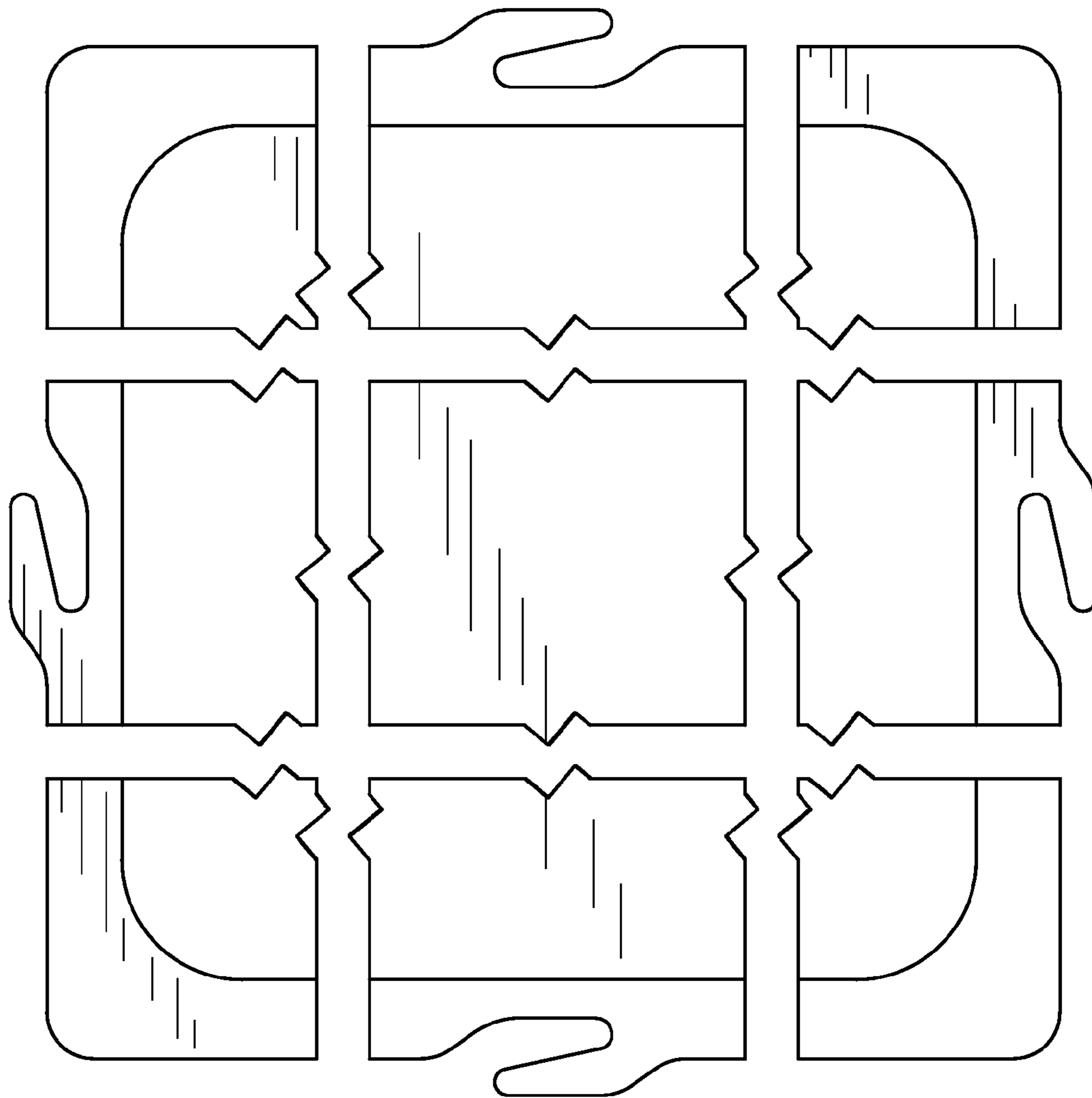


FIG. 3

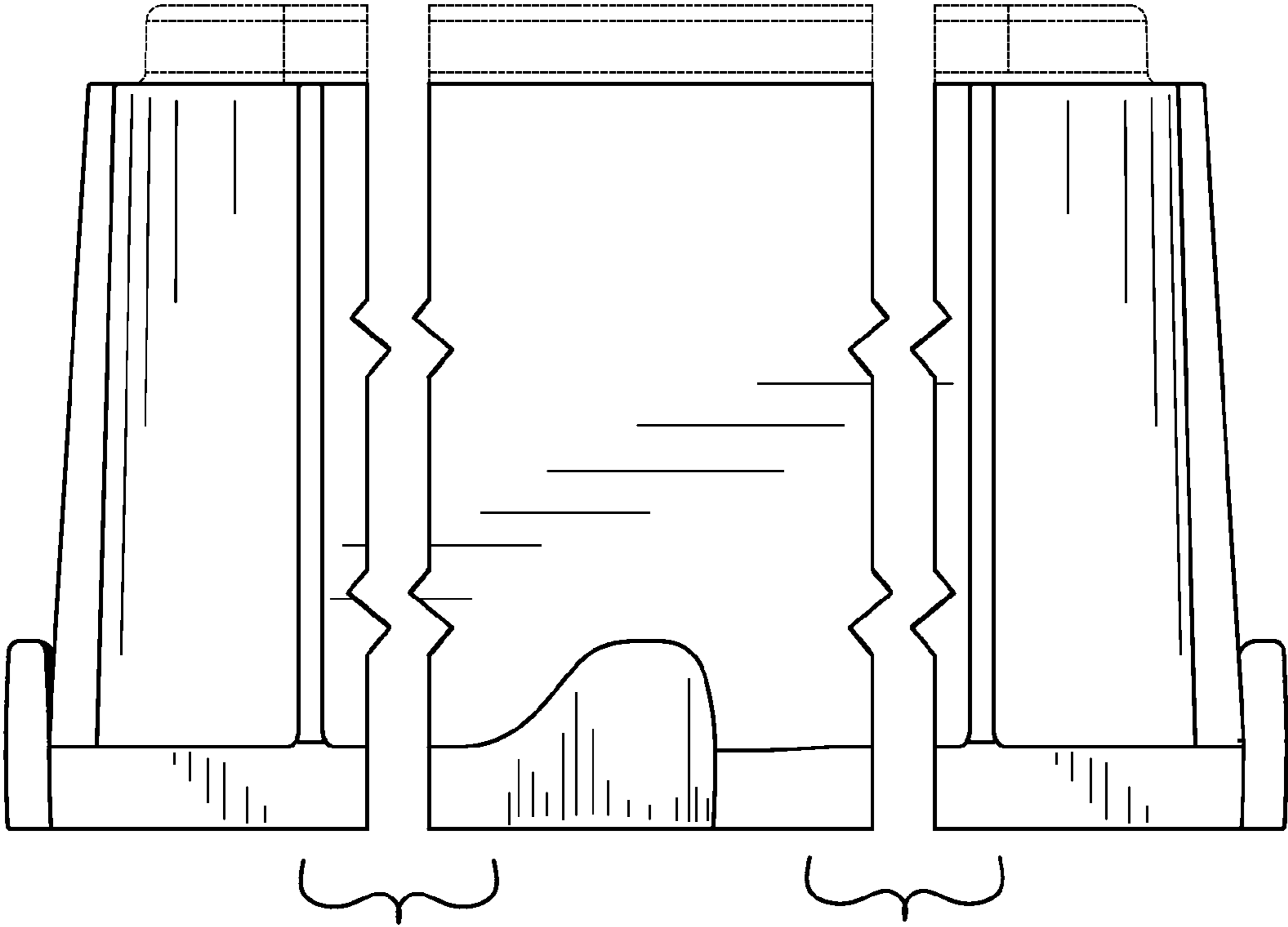


FIG. 4

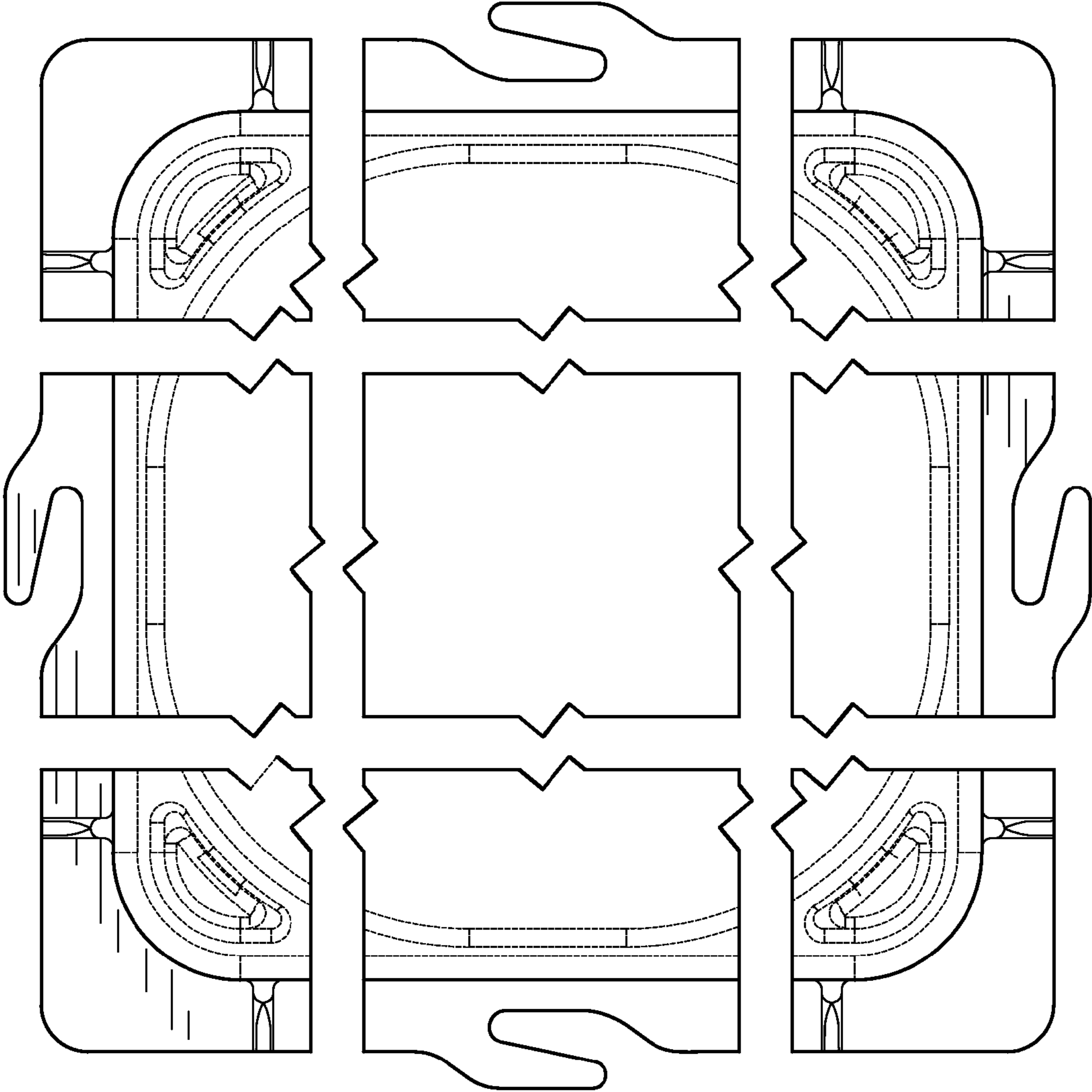


FIG. 5