



US00D617986S

(12) **United States Design Patent**
Leung

(10) **Patent No.:** **US D617,986 S**
(45) **Date of Patent:** **** Jun. 22, 2010**

(54) **TOTE BAG**

Primary Examiner—Holly H Baynham

(75) Inventor: **Pak Keung David Leung**, Kowloon (HK)

(57) **CLAIM**

The ornamental design for a tote bag, as shown and described.

(73) Assignee: **Ofess Limited**, Kowloon (HK)

(**) Term: **14 Years**

DESCRIPTION

(21) Appl. No.: **29/341,318**

FIG. 1 is a front elevational view of a Tote Bag enclosed in the base showing my new design;

(22) Filed: **Aug. 4, 2009**

FIG. 2 is a rear elevational view thereof;

(30) **Foreign Application Priority Data**

May 14, 2009 (HK) 0900784

FIG. 3 is a left side view thereof;

(51) **LOC (9) Cl.** **03-01**

FIG. 4 is a right side view thereof;

(52) **U.S. Cl.** **D3/233**

FIG. 5 is a top plan view thereof;

(58) **Field of Classification Search** D3/232–233,
D3/240–246, 318, 324; 150/100, 103–110,
150/113–114, 118–119

FIG. 6 is a bottom plan view thereof;

See application file for complete search history.

FIG. 7 is a perspective view thereof;

(56) **References Cited**

U.S. PATENT DOCUMENTS

D407,216 S * 3/1999 Vickers D3/233

FIG. 8 is another perspective view thereof;

D413,723 S * 9/1999 Quansah D3/233

FIG. 9 is a perspective view with the cover detached from the base;

D516,306 S * 3/2006 Koenig et al. D3/233

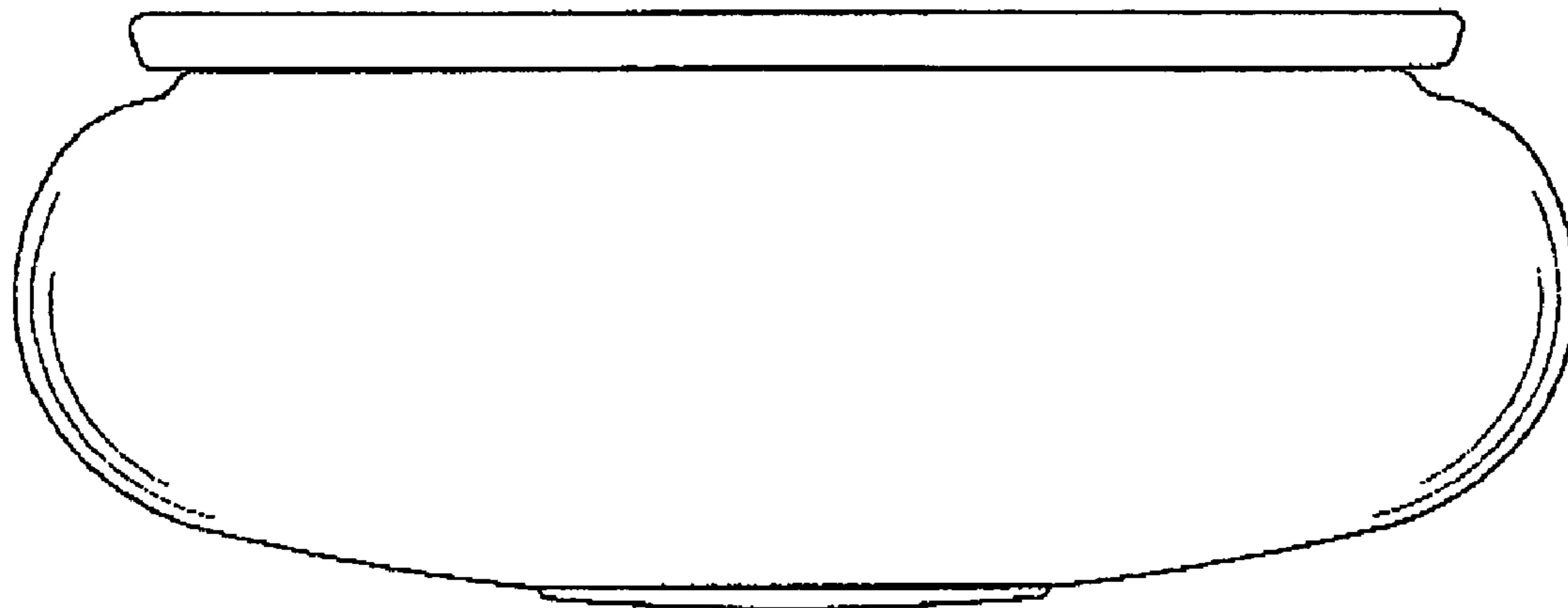
FIG. 10 is a perspective view with the cover detached from the base and the tote bag pulled out from the base; and,

* cited by examiner

FIG. 11 is another perspective view with the cover detached from the base and the tote bag pulled out from the base.

The broken lines shown on FIG. 11 represents stitching and are part of the claimed design.

1 Claim, 9 Drawing Sheets



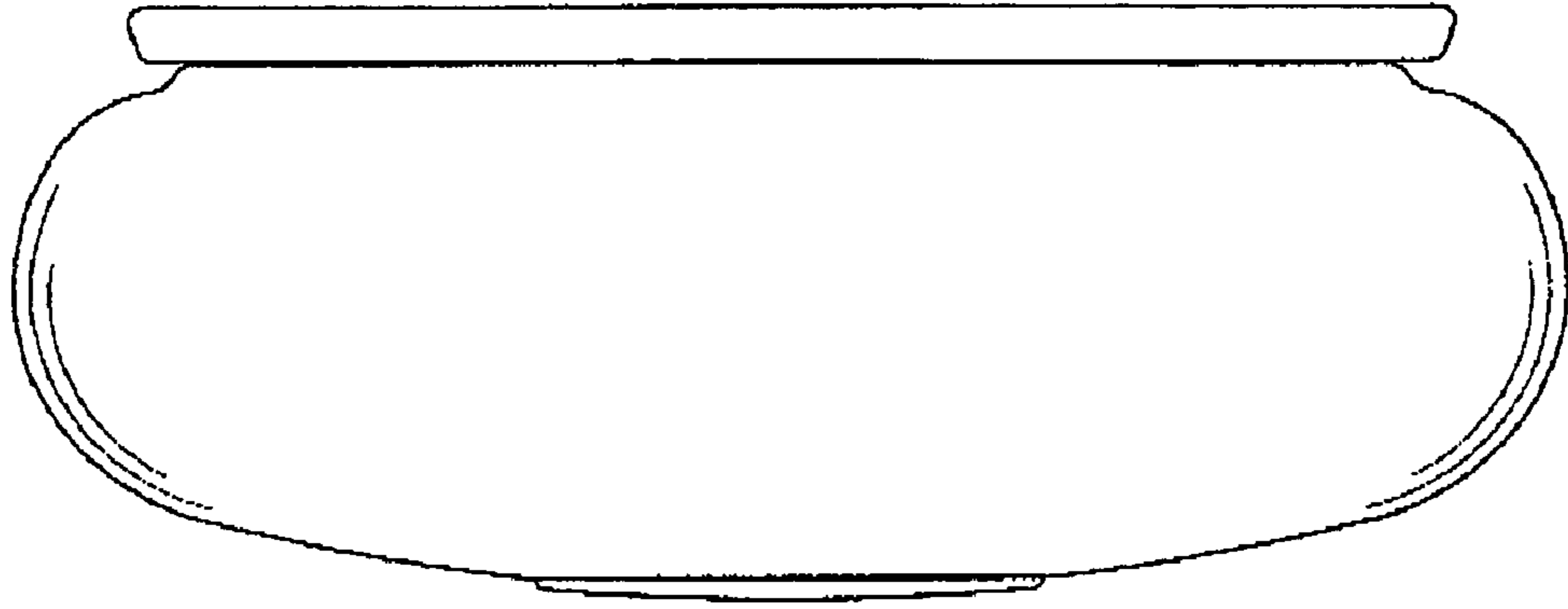


FIG. 1

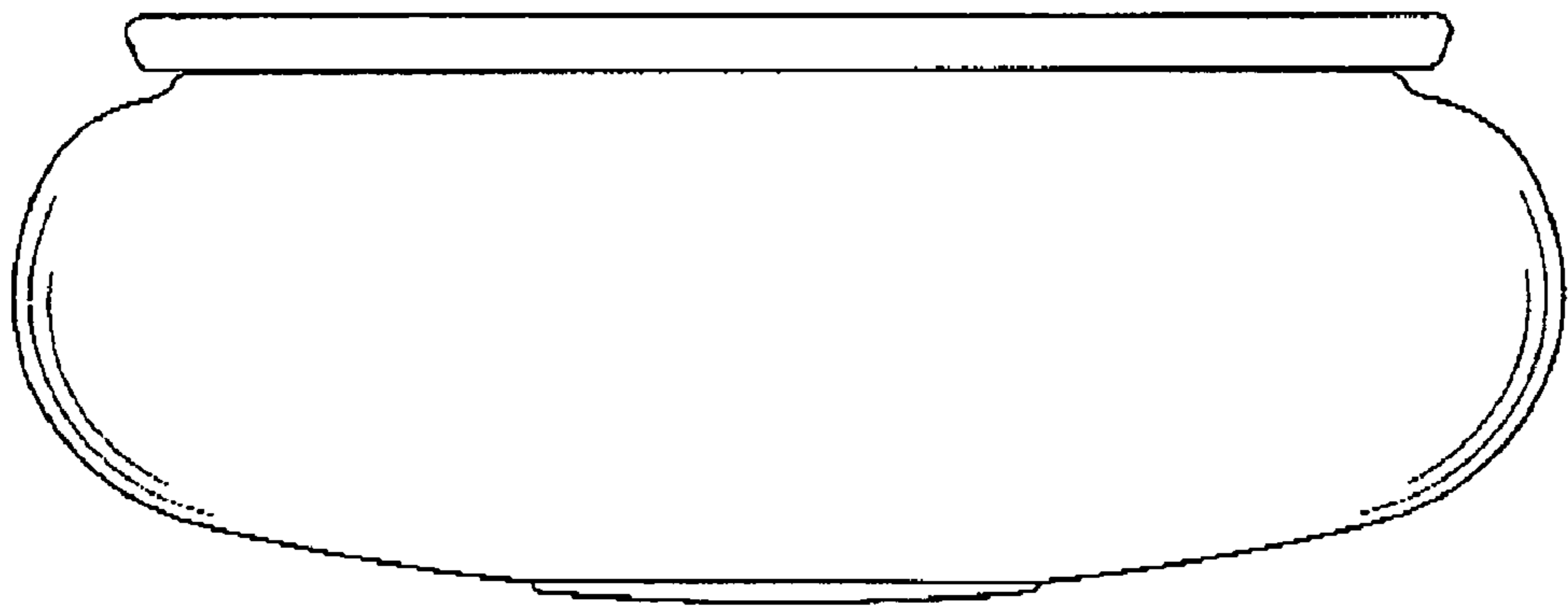


FIG. 2

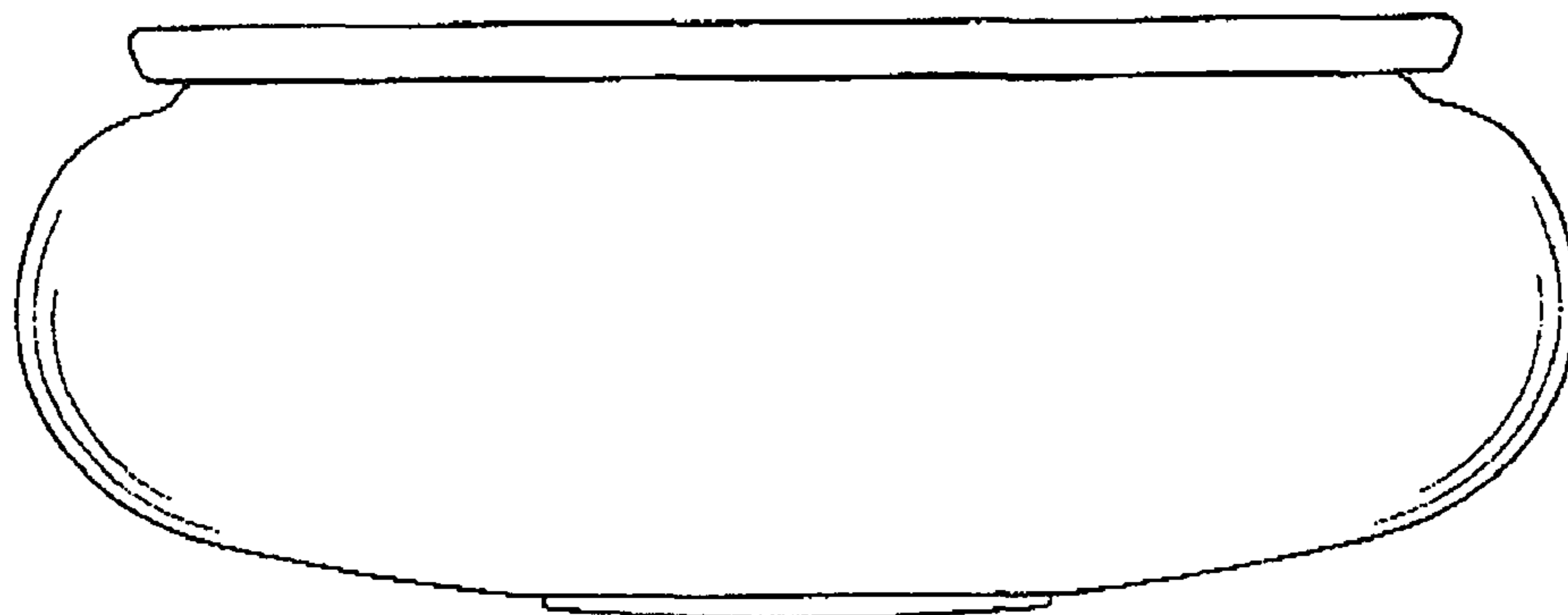


FIG. 3

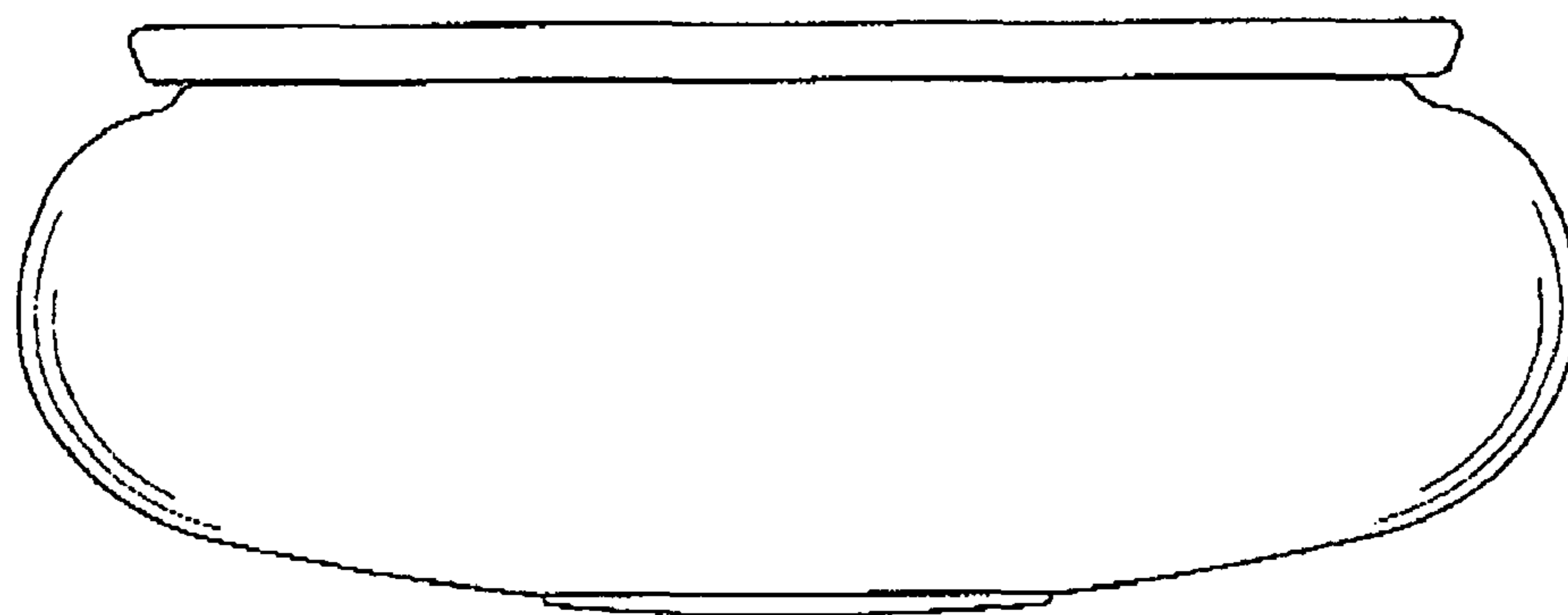


FIG. 4

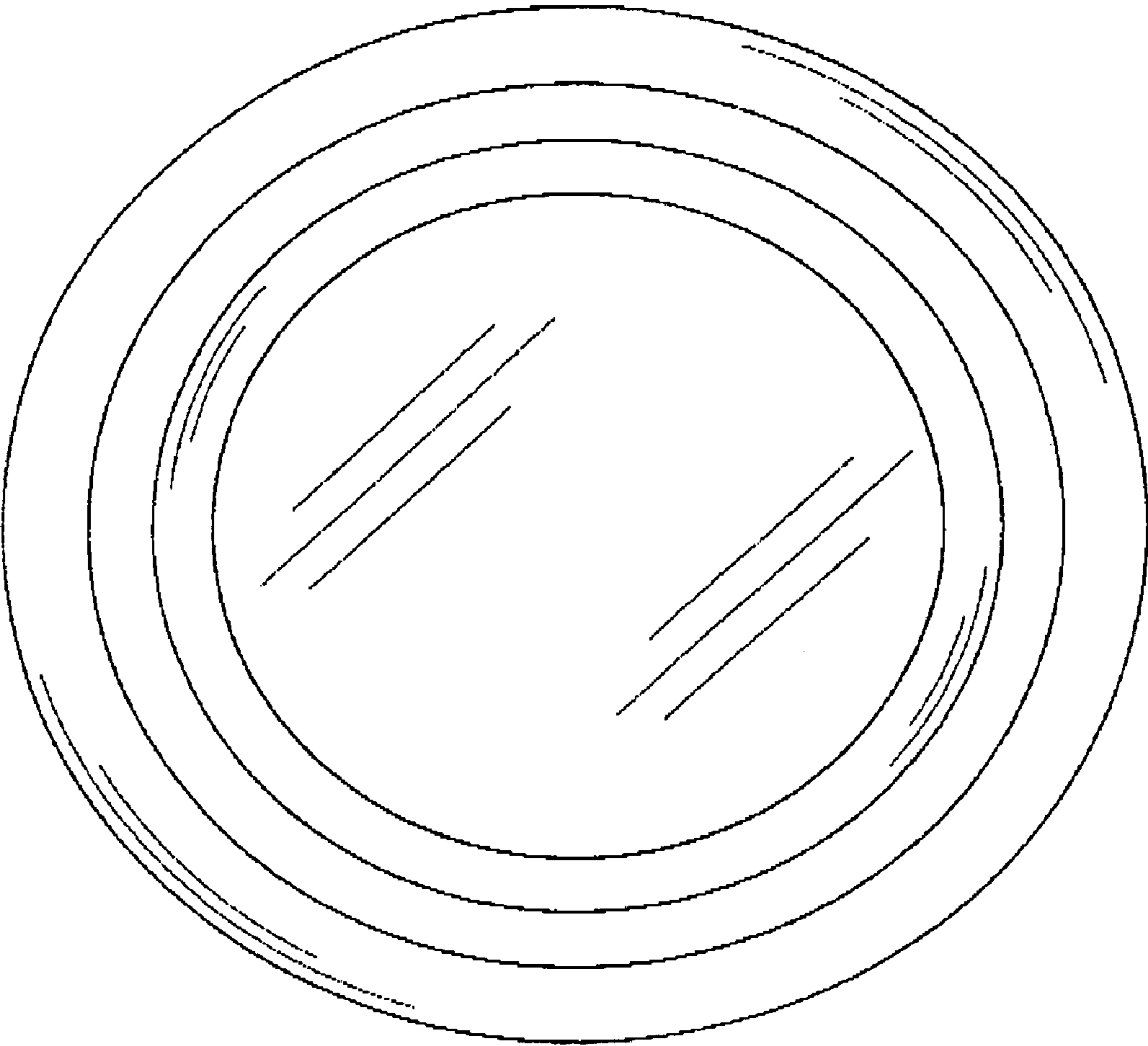


FIG. 5

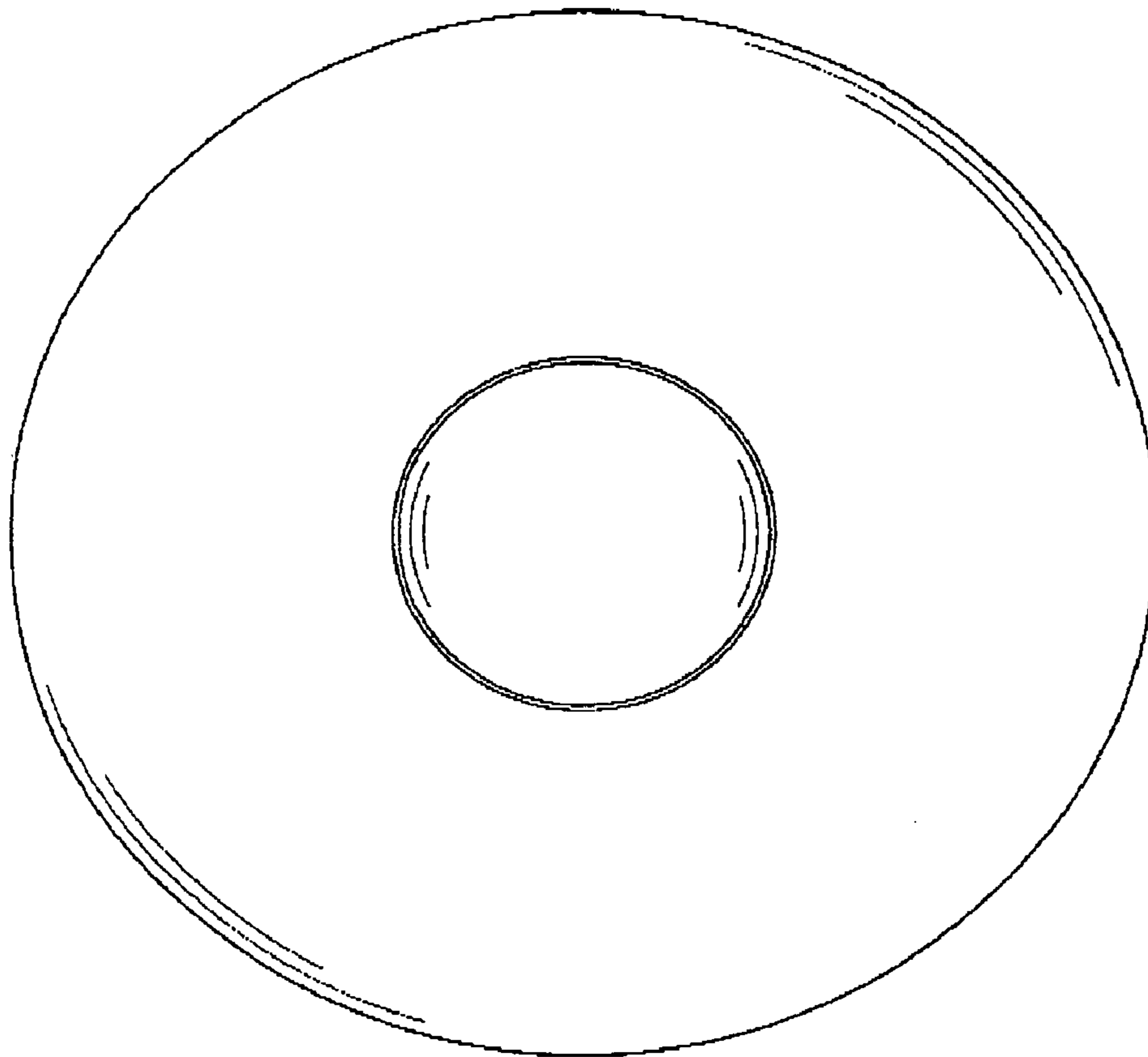


FIG. 6

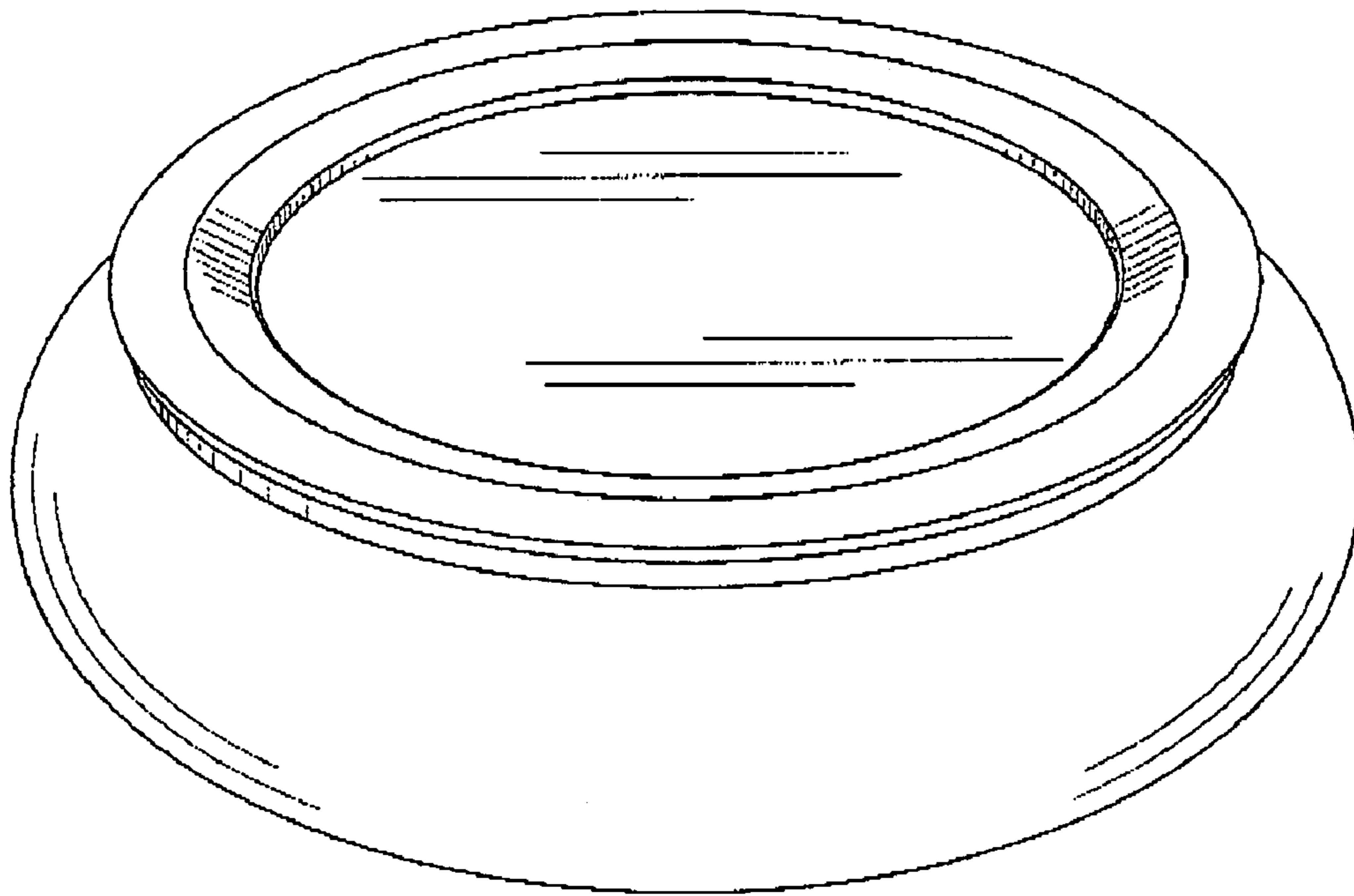


FIG. 7

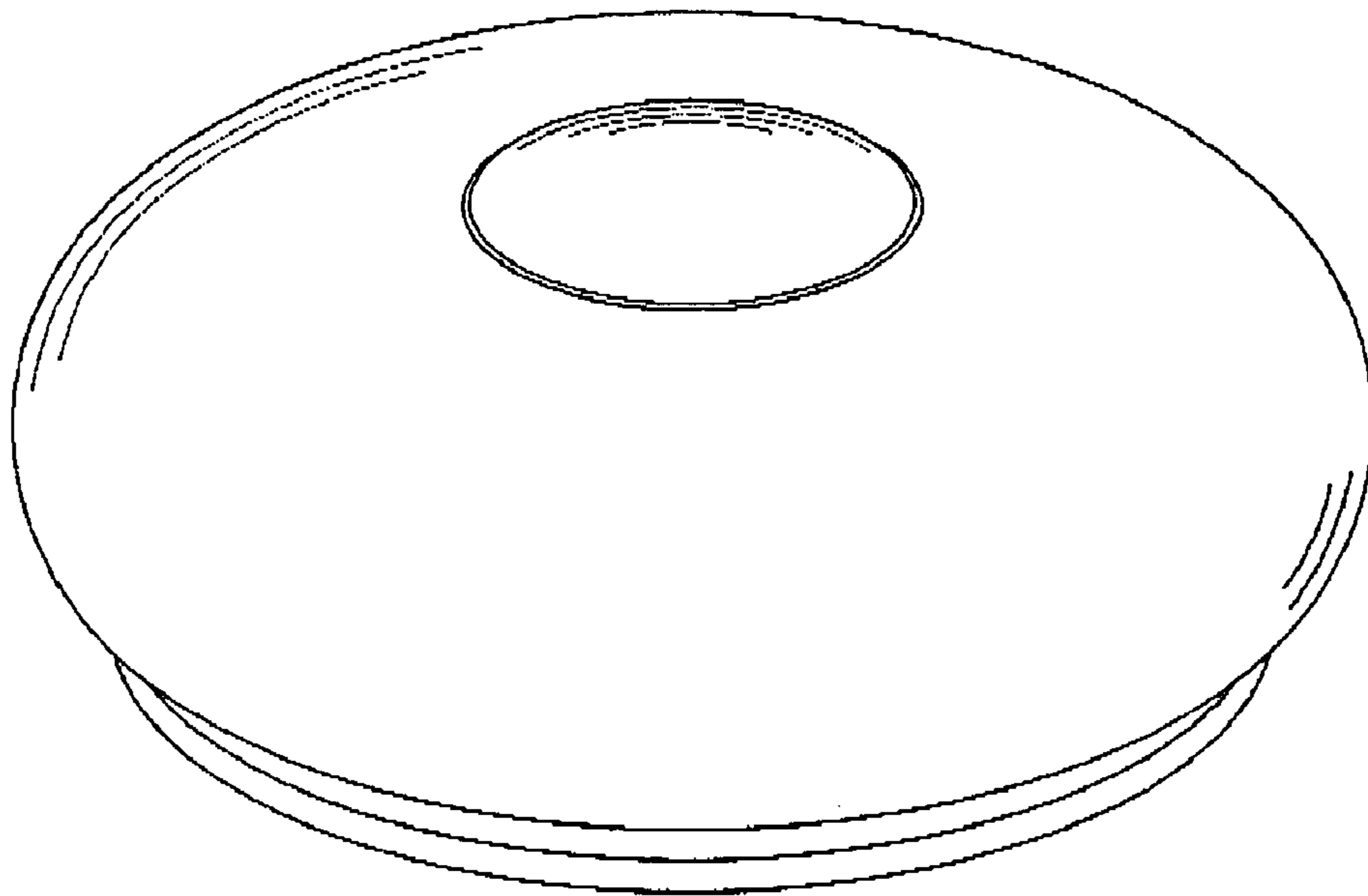


FIG. 8

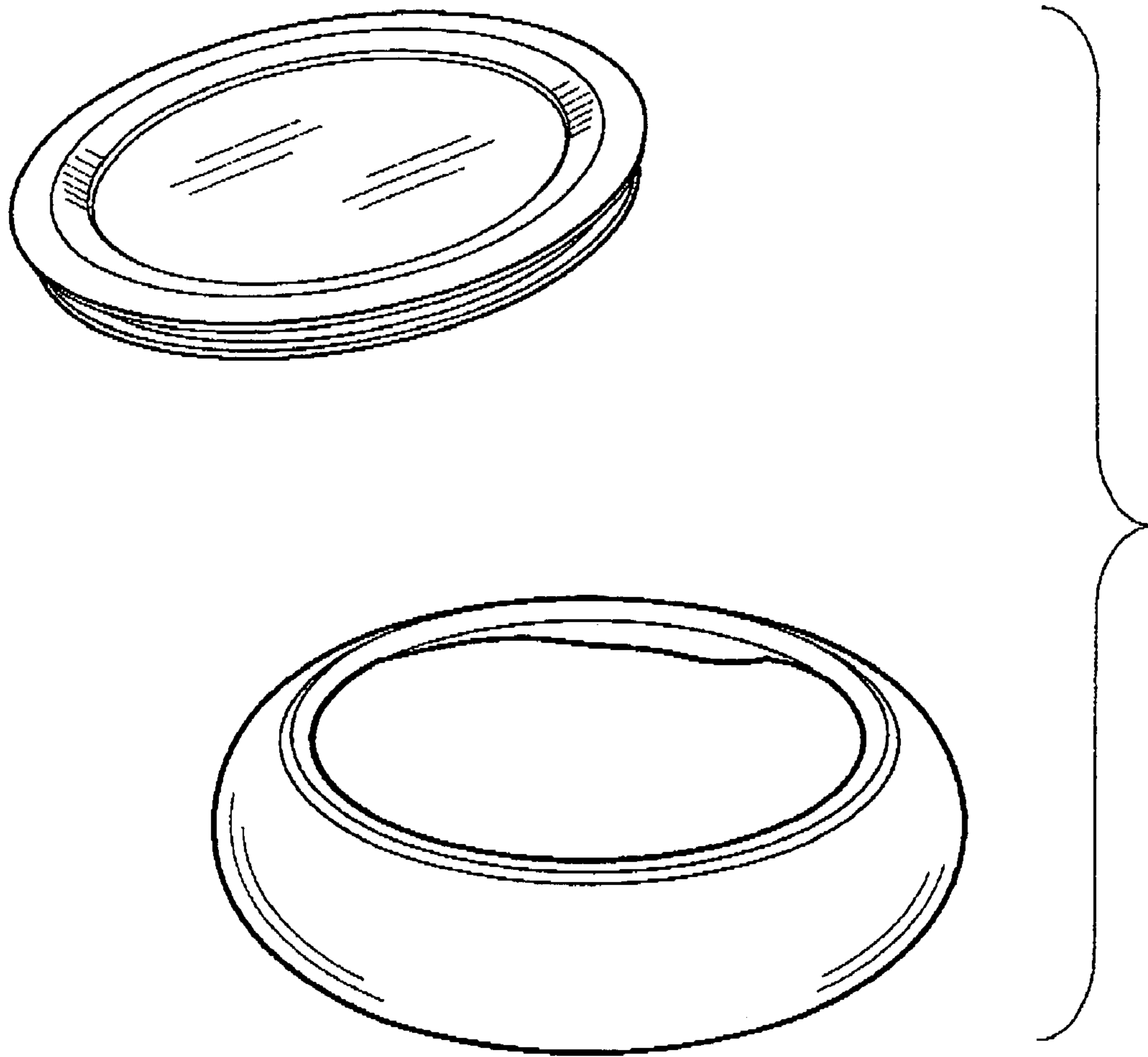


FIG. 9

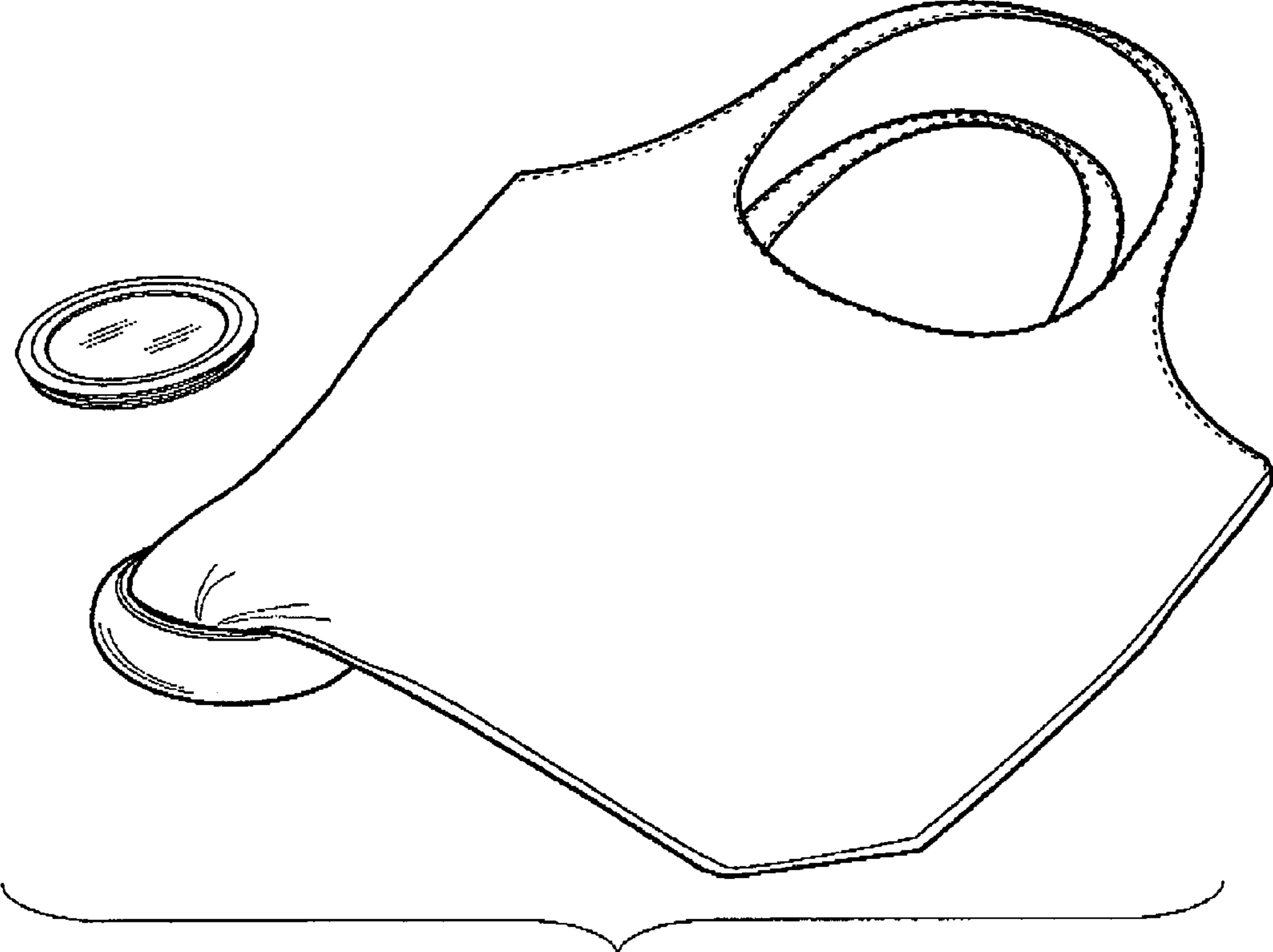


FIG. 10

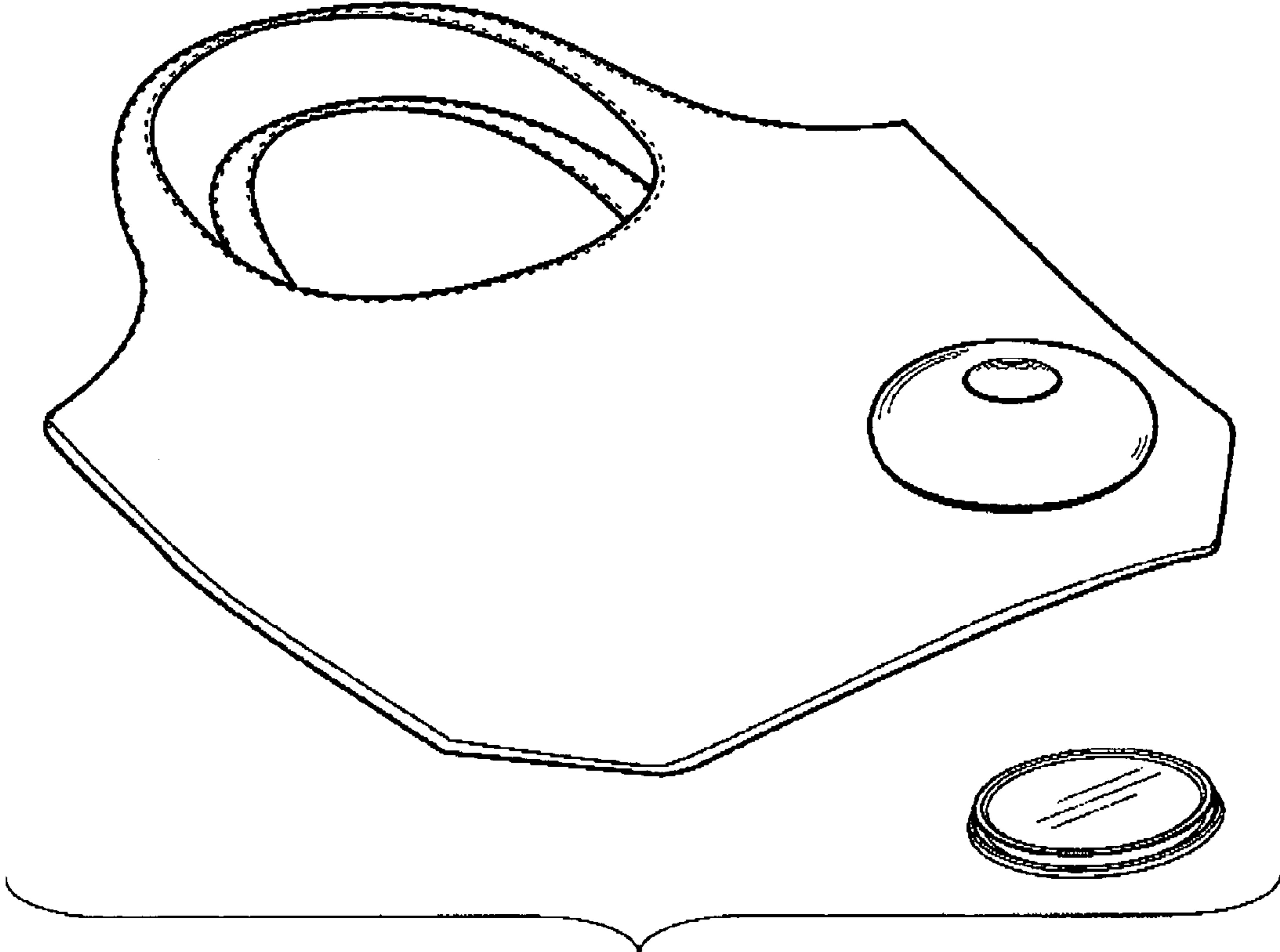


FIG. 11