



US00D617983S

(12) **United States Design Patent**  
**Raysse**

(10) **Patent No.:** **US D617,983 S**  
(45) **Date of Patent:** **\*\* Jun. 22, 2010**

- (54) **PERIPHERY OF AN OUTSOLE**
- (75) Inventor: **David Raysse**, Los Angeles, CA (US)
- (73) Assignee: **Skechers U.S.A., Inc II**, Manhattan Beach, CA (US)
- (\*\*) Term: **14 Years**
- (21) Appl. No.: **29/352,234**
- (22) Filed: **Dec. 17, 2009**
- (51) **LOC (9) Cl.** ..... **02-99**
- (52) **U.S. Cl.** ..... **D2/947; D2/977**
- (58) **Field of Classification Search** ..... D2/896,  
D2/902, 903, 906-908, 946, 947, 951-960,  
D2/964, 977; 36/25 R-25 A  
See application file for complete search history.

- D512,818 S \* 12/2005 Mitani et al. .... D2/977
- D514,288 S 2/2006 Burg
- D515,305 S \* 2/2006 Andrews-Kramer ..... D2/977
- D520,732 S \* 5/2006 Mitani et al. .... D2/977
- D540,014 S 4/2007 Turner et al.
- D546,035 S 7/2007 Belley et al.
- D546,036 S 7/2007 Schoenborn et al.
- D554,335 S 11/2007 Belley et al.
- D554,337 S 11/2007 Belley et al.
- D555,348 S \* 11/2007 Bettencourt ..... D2/977
- D555,891 S \* 11/2007 Bettencourt ..... D2/977
- D557,481 S 12/2007 Hui
- D559,509 S \* 1/2008 Hayes ..... D2/954
- D561,434 S 2/2008 Fujita et al.
- D564,184 S 3/2008 Issler
- D607,188 S \* 1/2010 Teteriatnikov ..... D2/946
- 2005/0262737 A1 12/2005 Vattes
- 2008/0034615 A1 2/2008 Nishiwaki et al.

\* cited by examiner

*Primary Examiner*—Dominic Simone

(74) *Attorney, Agent, or Firm*—Marshall A. Lerner; Marvin H. Kleinberg; Kleinberg & Lerner, LLP

(56) **References Cited**  
U.S. PATENT DOCUMENTS

- D182,781 S 5/1958 Zerkowitz
- D276,569 S 12/1984 Kohno
- D280,568 S 9/1985 Stubblefield
- D339,465 S 9/1993 Teague
- D343,045 S \* 1/1994 Bailey ..... D2/977
- D344,847 S 3/1994 Mancebo
- D403,845 S 1/1999 Pelsue
- D423,201 S \* 4/2000 Wilson ..... D2/947
- D469,598 S \* 2/2003 Wilson ..... D2/947
- D473,047 S \* 4/2003 Wilson ..... D2/947
- D492,096 S 6/2004 Sanchez et al.
- D495,476 S 9/2004 Recchi
- D498,576 S 11/2004 McClaskie
- D498,901 S 11/2004 Hawker et al.
- 6,829,848 B2 12/2004 Gallegos
- D500,582 S 1/2005 Robbins et al.
- D500,914 S 1/2005 Ammon
- D503,028 S 3/2005 Merceron
- D507,694 S 7/2005 Recchi
- D507,696 S 7/2005 Robbins et al.

(57) **CLAIM**

The ornamental design for a periphery of an outsole, as shown and described.

**DESCRIPTION**

FIG. 1 is a perspective view of a periphery of an outsole in accordance with my new design.

FIG. 2 is a left side view thereof;

FIG. 3 is a right side view thereof;

FIG. 4 is a front elevation view thereof; and,

FIG. 5 is a rear elevation view thereof.

Broken lines in the figures are for illustrative purposes only and form no part of the claimed invention.

**1 Claim, 4 Drawing Sheets**

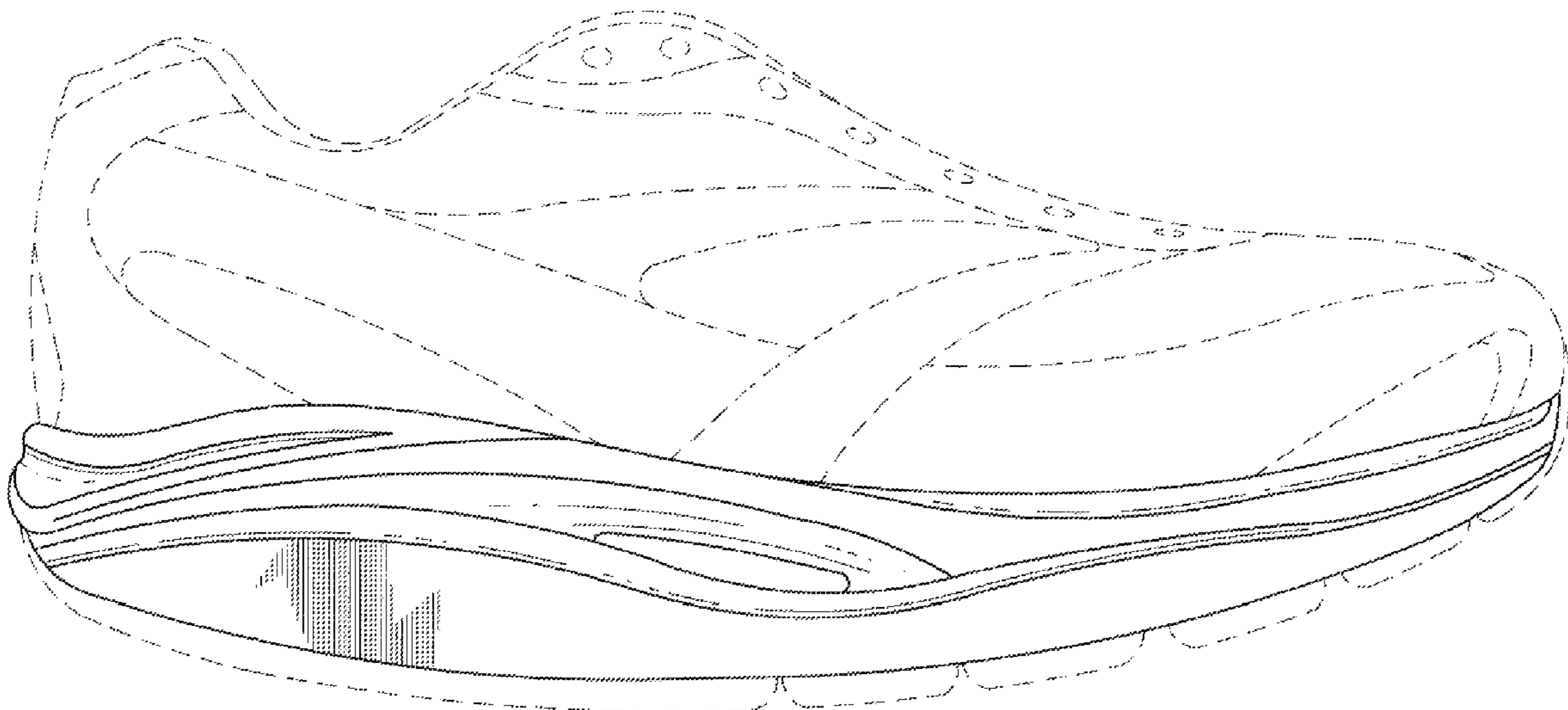


FIG. 1

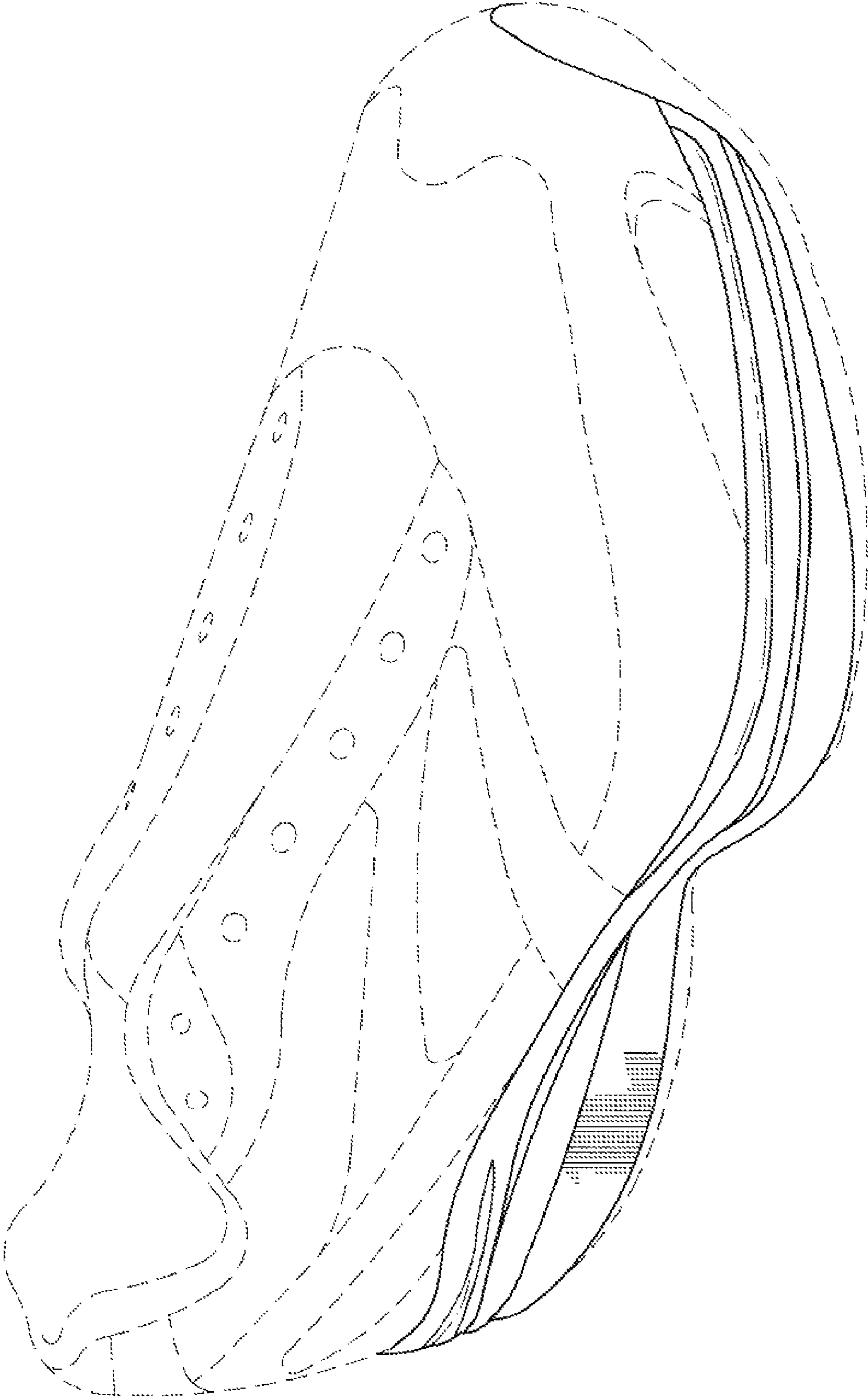
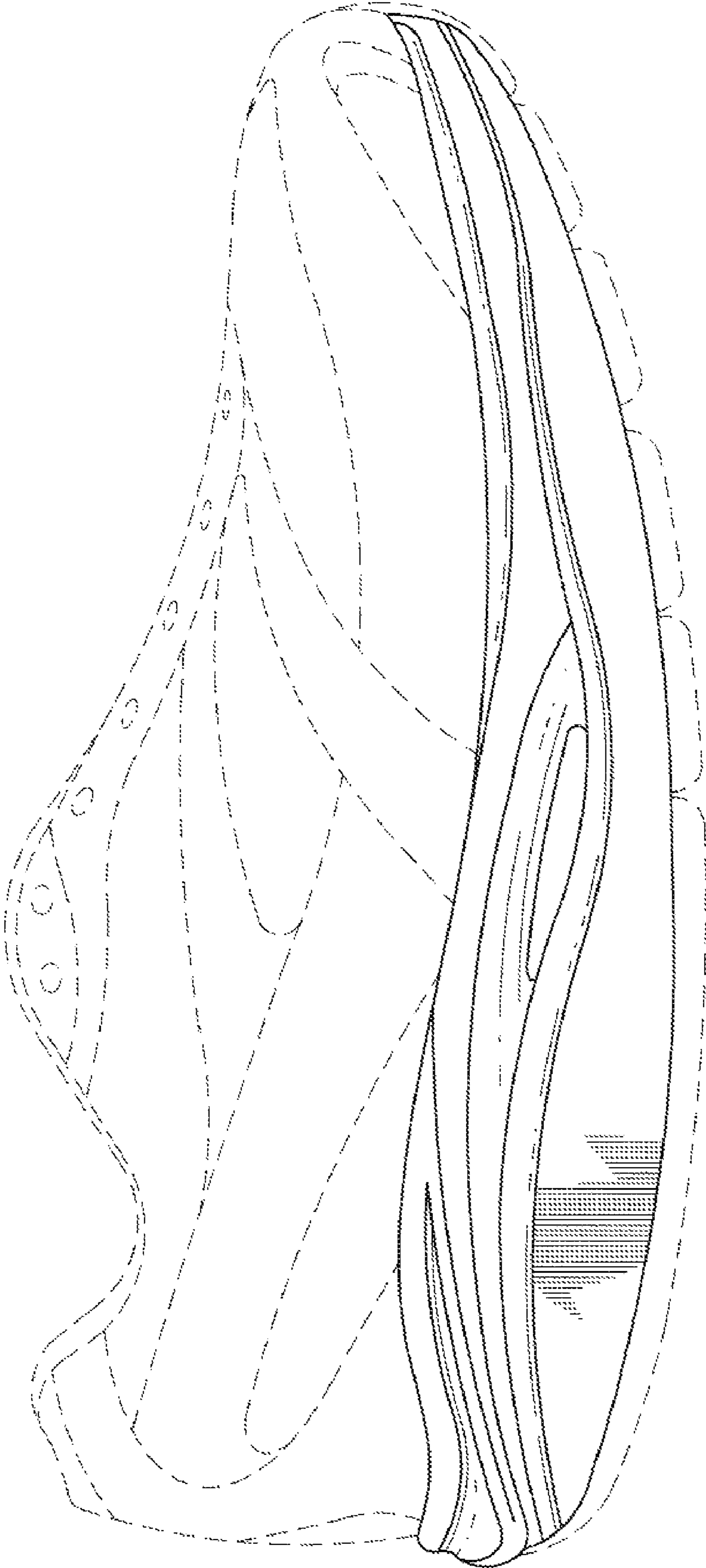


FIG. 2



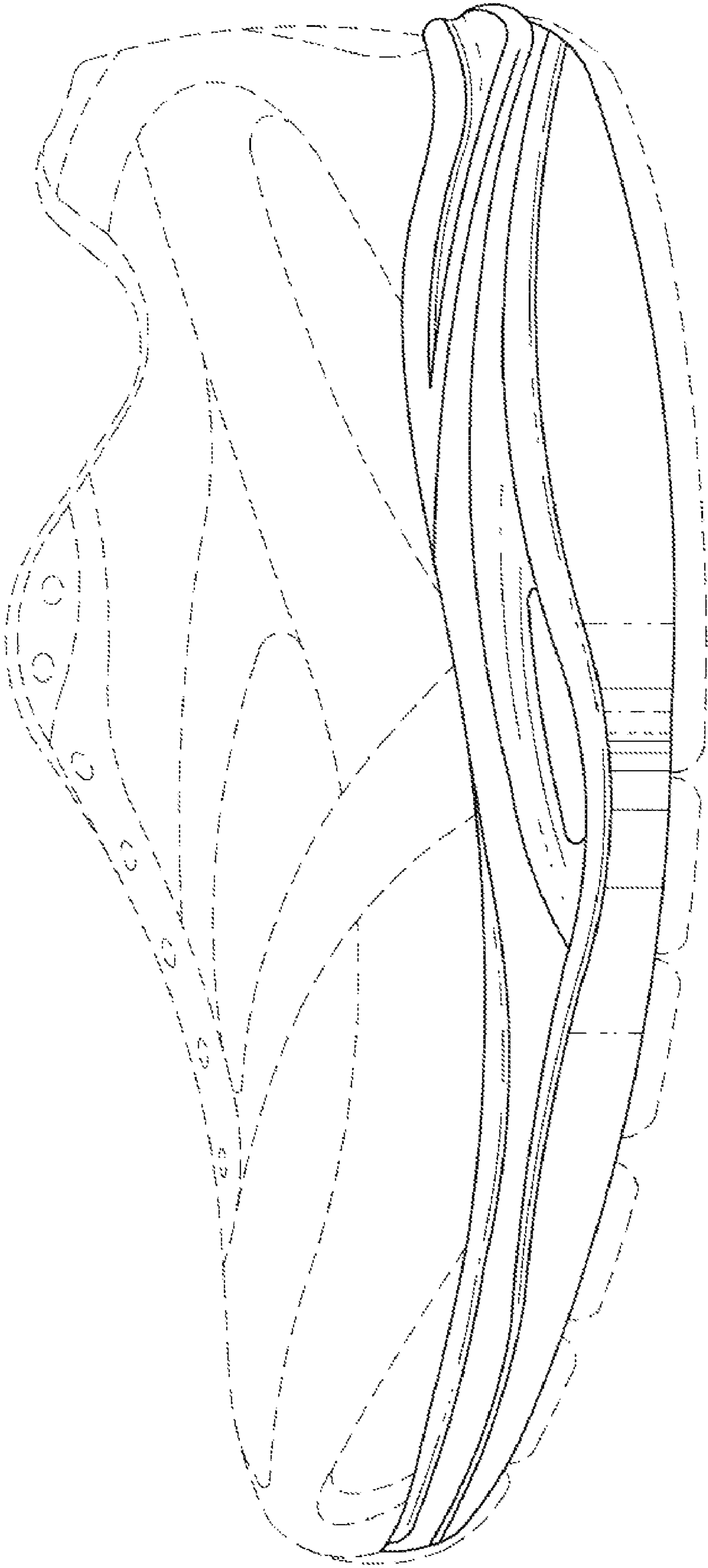


FIG. 3

FIG. 5

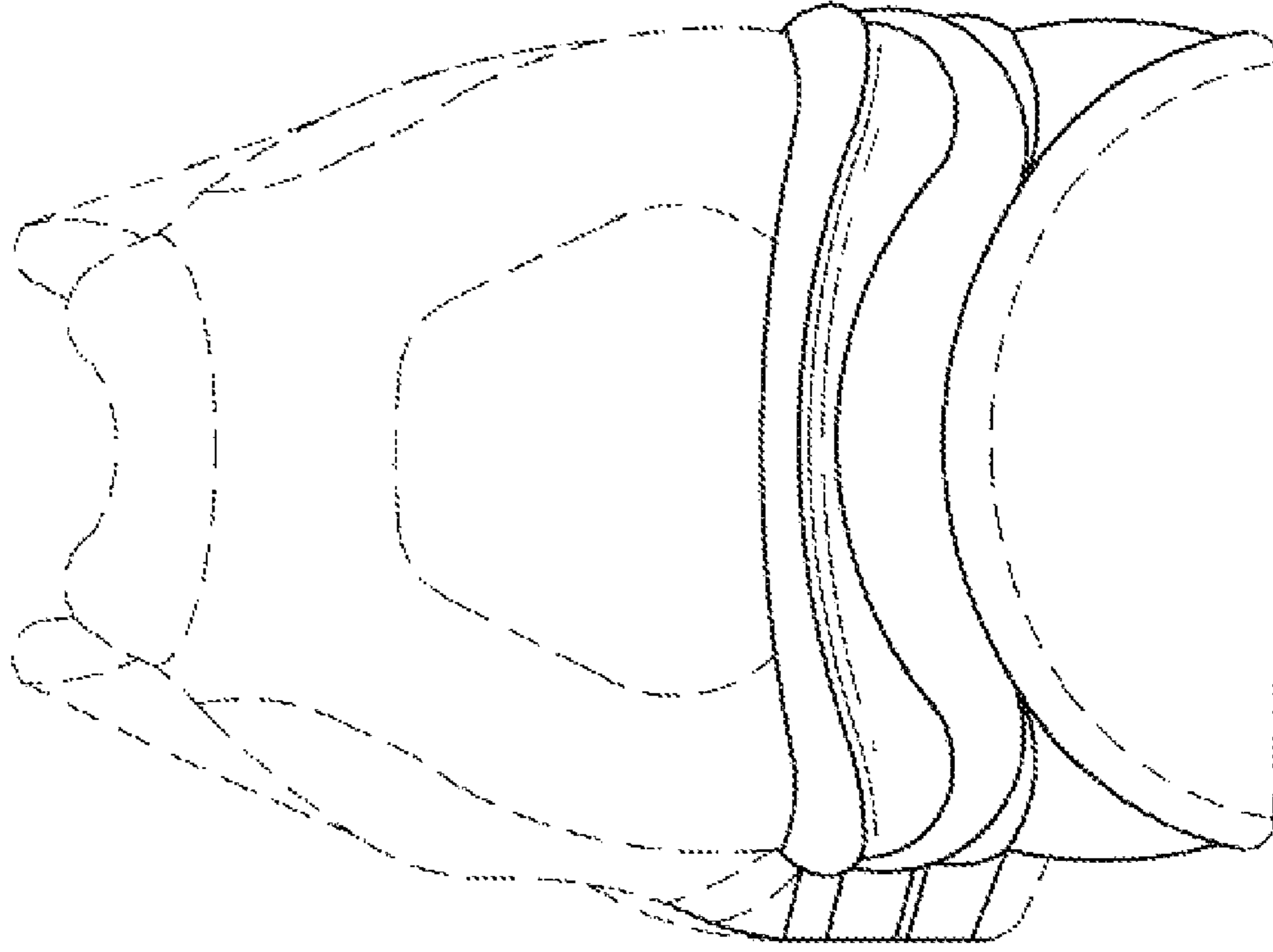


FIG. 4

