



US00D617975S

(12) **United States Design Patent**
Koslak

(10) **Patent No.:** **US D617,975 S**
(45) **Date of Patent:** **** Jun. 15, 2010**

(54) **COMBINED MAILBOX AND MAIL ARRIVAL INDICATOR**

(76) Inventor: **Timothy F. Koslak**, 4303 Oglethorpe St., Hyattsville, MD (US) 20781

(**) Term: **14 Years**

(21) Appl. No.: **29/331,963**

(22) Filed: **Feb. 5, 2009**

(51) **LOC (9) Cl.** **25-03**

(52) **U.S. Cl.** **D99/31; D99/29**

(58) **Field of Classification Search** D99/29-32;
D10/109-111, 121; D14/155, 191, 218,
D14/240, 299, 358; 232/34-37; 340/539.14,
340/569; 200/61.63

See application file for complete search history.

(56) **References Cited**

U.S. PATENT DOCUMENTS

D147,727	S *	10/1947	Hallamore	D99/31
2,968,804	A *	1/1961	Buffington	340/569
3,611,333	A *	10/1971	Conigliaro	340/539.14
3,815,811	A *	6/1974	Harmon	232/35
4,101,877	A	7/1978	Rush		
D271,089	S *	10/1983	Mallory	D10/121
5,023,595	A	6/1991	Bennett		
5,440,294	A	8/1995	Mercier et al.		
5,950,919	A *	9/1999	Adams	232/34
6,114,959	A	9/2000	Bennett		

6,222,451	B1	4/2001	Leow		
D482,178	S *	11/2003	South	D99/29
D485,822	S *	1/2004	Hudson	D14/191
D518,399	S	4/2006	Breslow		
D535,578	S *	1/2007	Sinkfield	D10/104
D535,971	S *	1/2007	Andrade et al.	D14/155
D561,627	S *	2/2008	Cherneff et al.	D10/104
D583,796	S *	12/2008	Tanaka	D14/155
2004/0021571	A1 *	2/2004	Kim	340/569

* cited by examiner

Primary Examiner—Philip S Hyder

Assistant Examiner—Susan E Krakower

(57) **CLAIM**

The ornamental design for a combined mailbox and mail arrival indicator, as shown.

DESCRIPTION

FIG. 1 is a perspective view of combined mailbox and mail arrival indicator;

FIG. 2 is a front view thereof;

FIG. 3 is a back side view thereof;

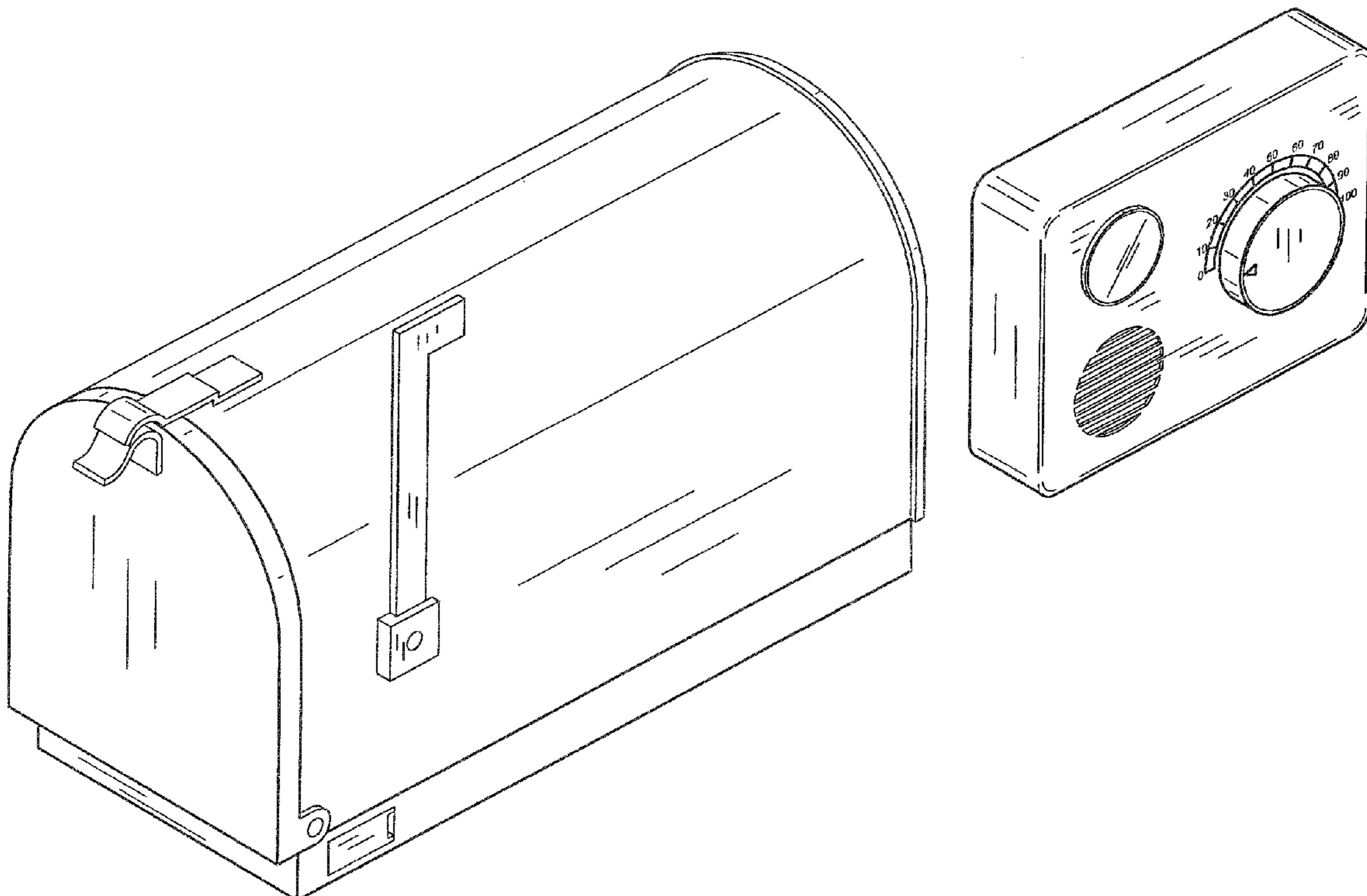
FIG. 4 is a side view thereof;

FIG. 5 is a opposite view thereof;

FIG. 6 is a top view thereof; and,

FIG. 7 is a bottom view thereof.

1 Claim, 6 Drawing Sheets



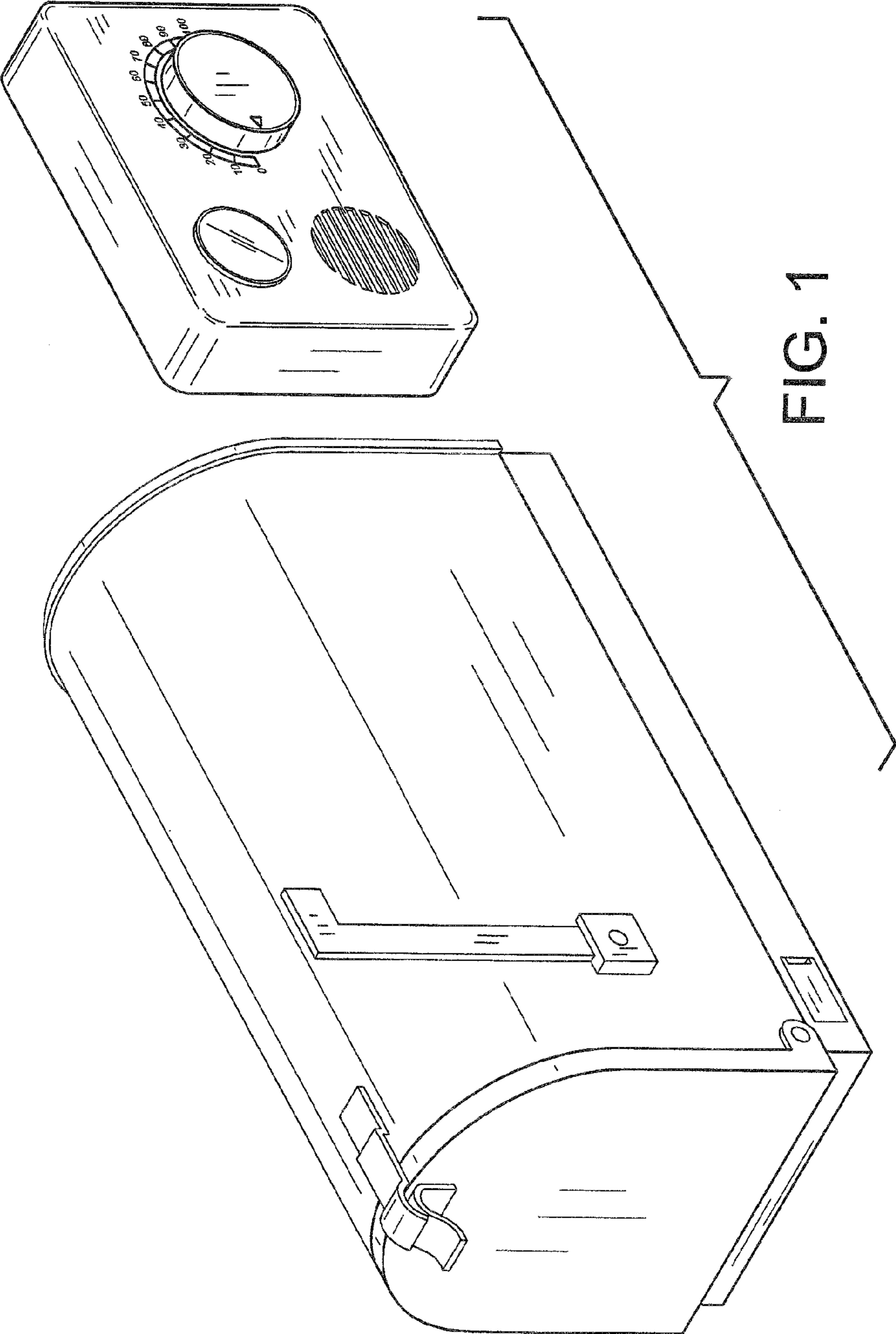


FIG. 1

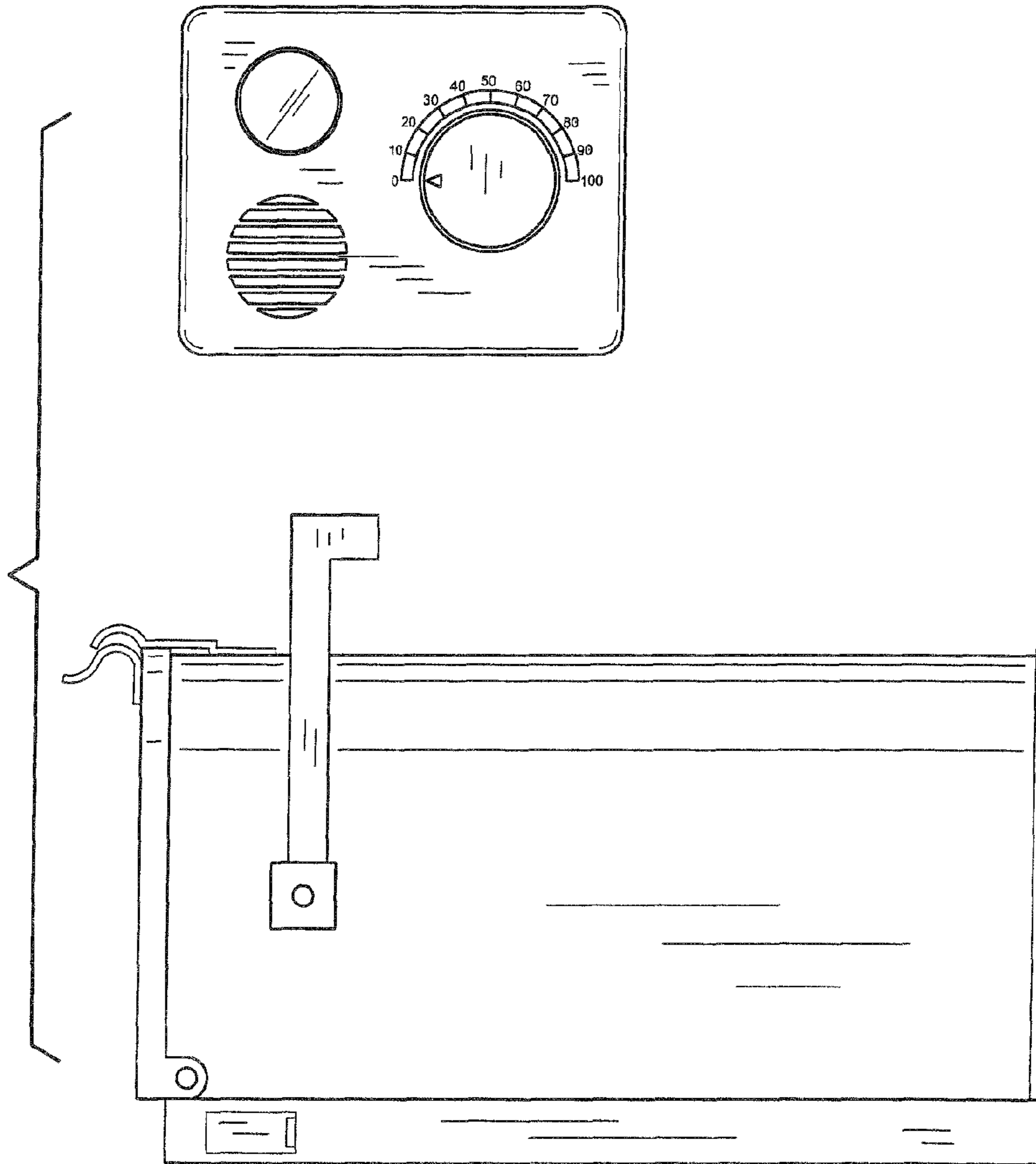


FIG. 2

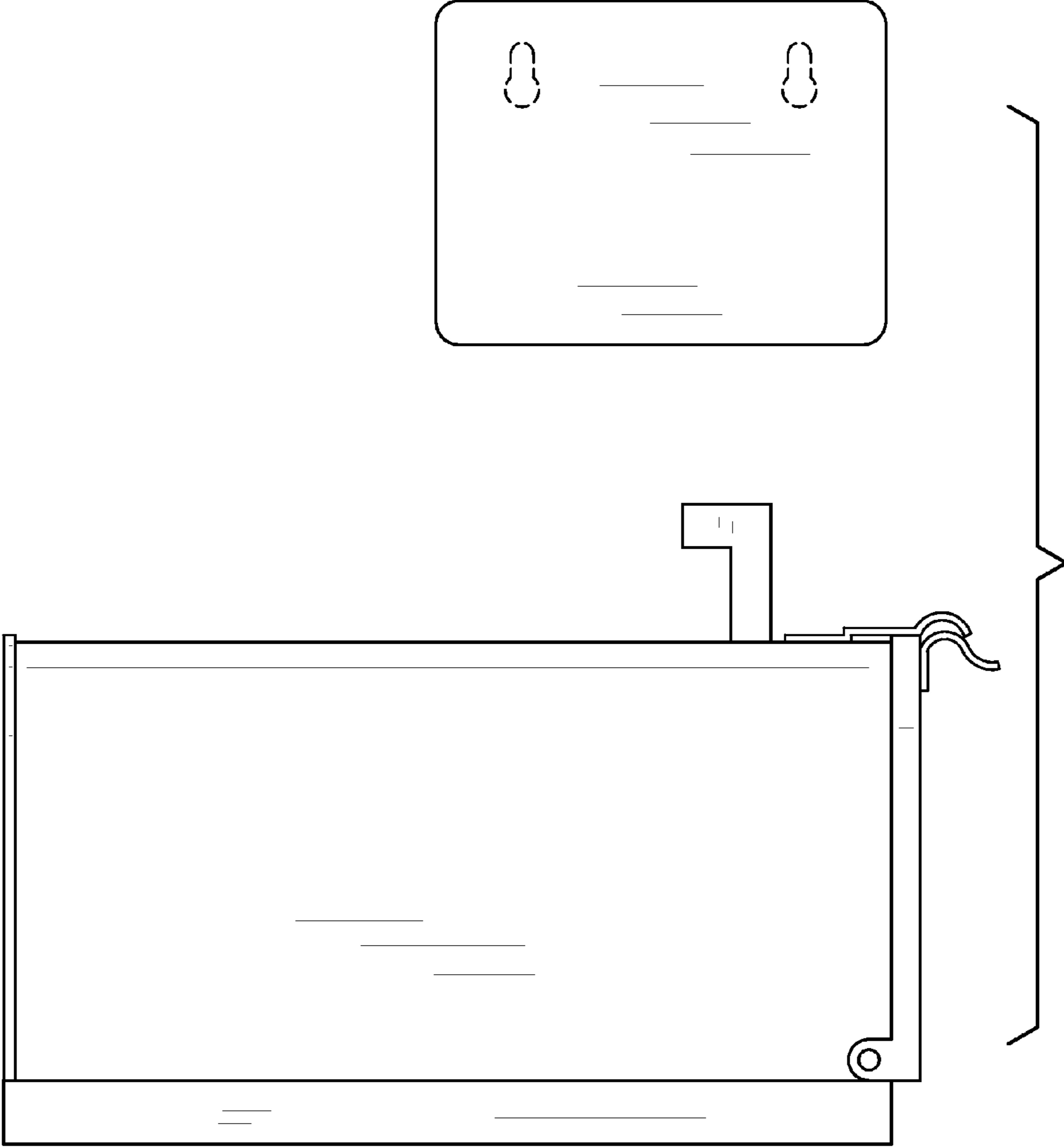


FIG. 3

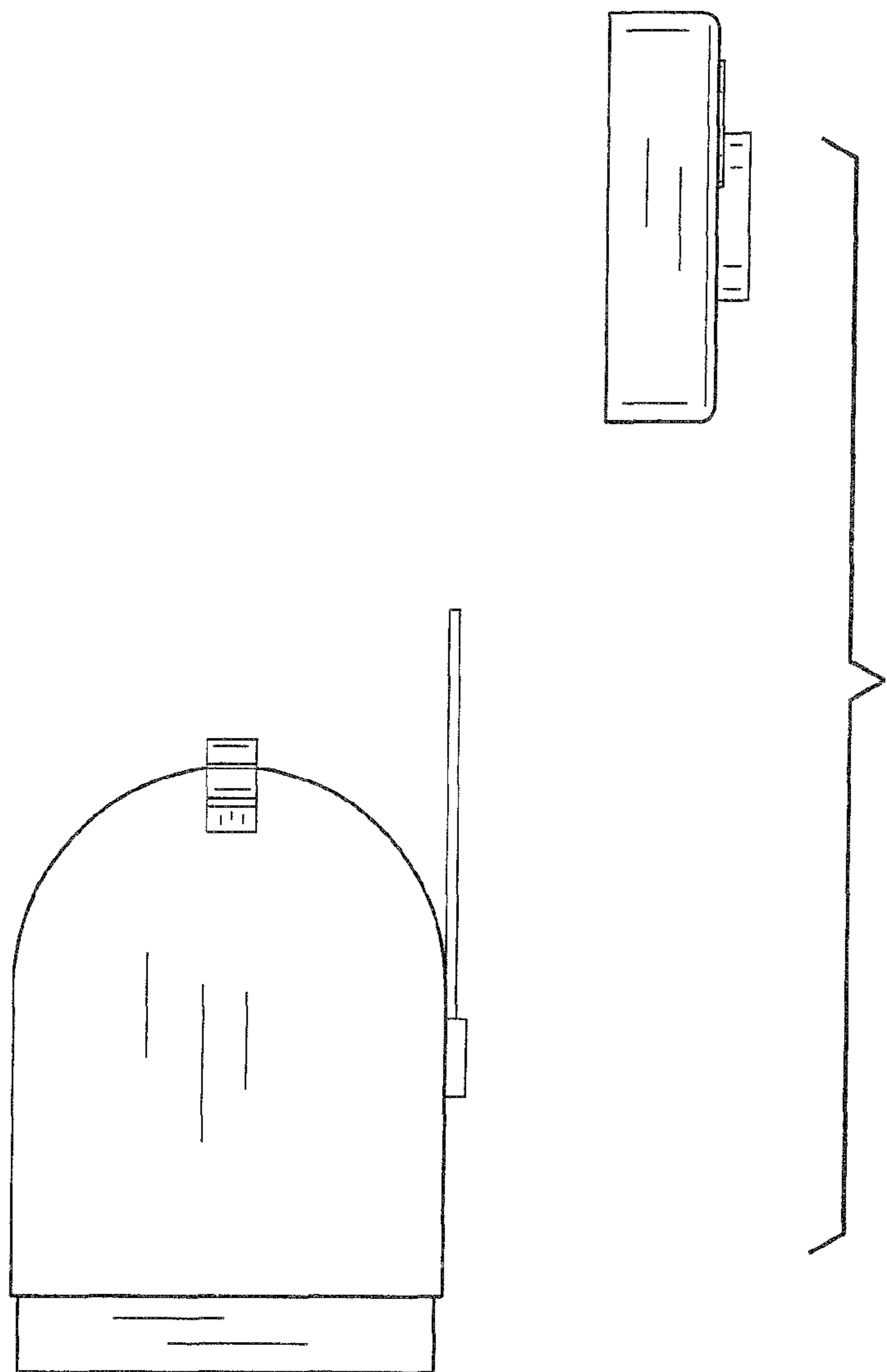
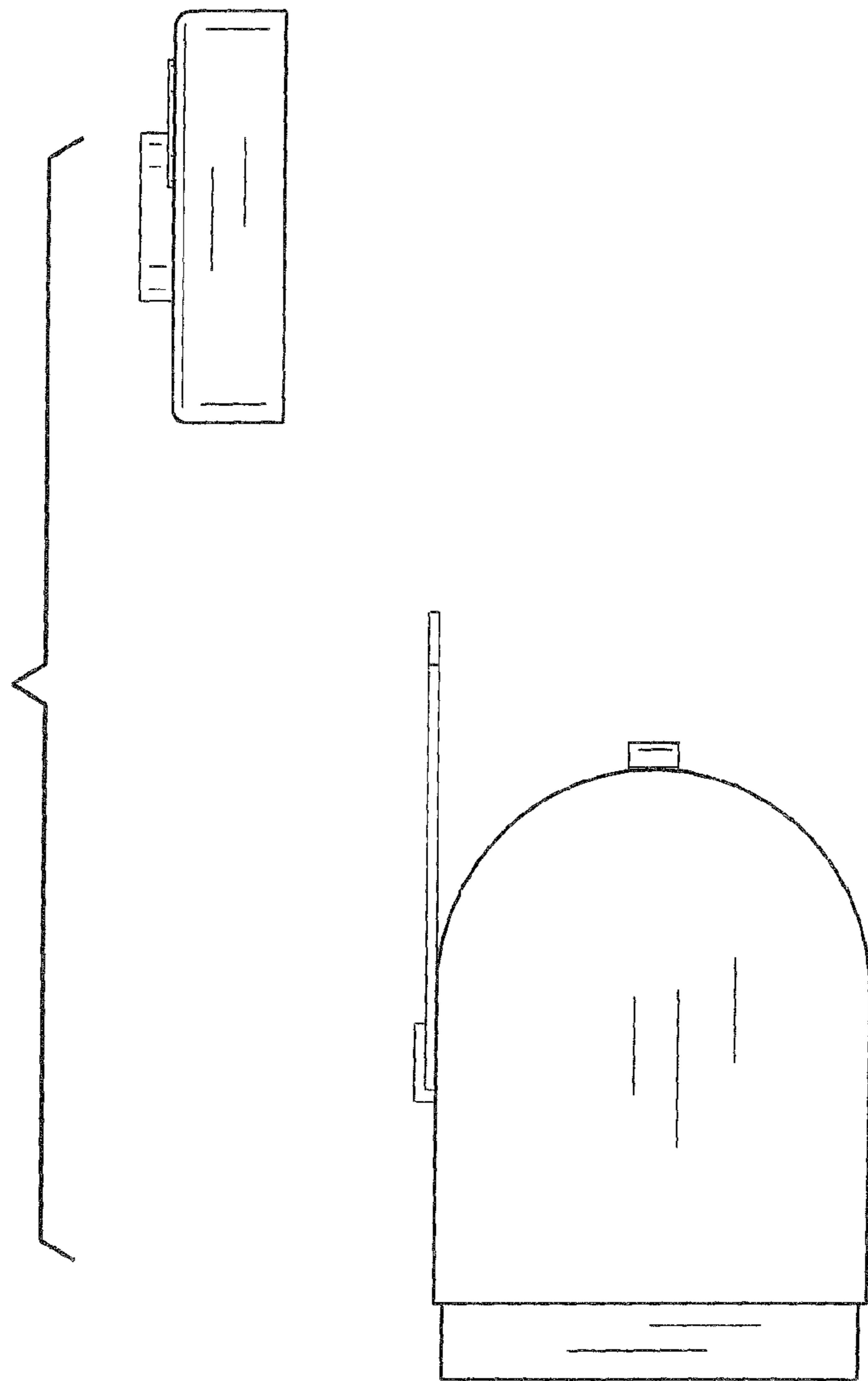


FIG. 4

FIG. 5



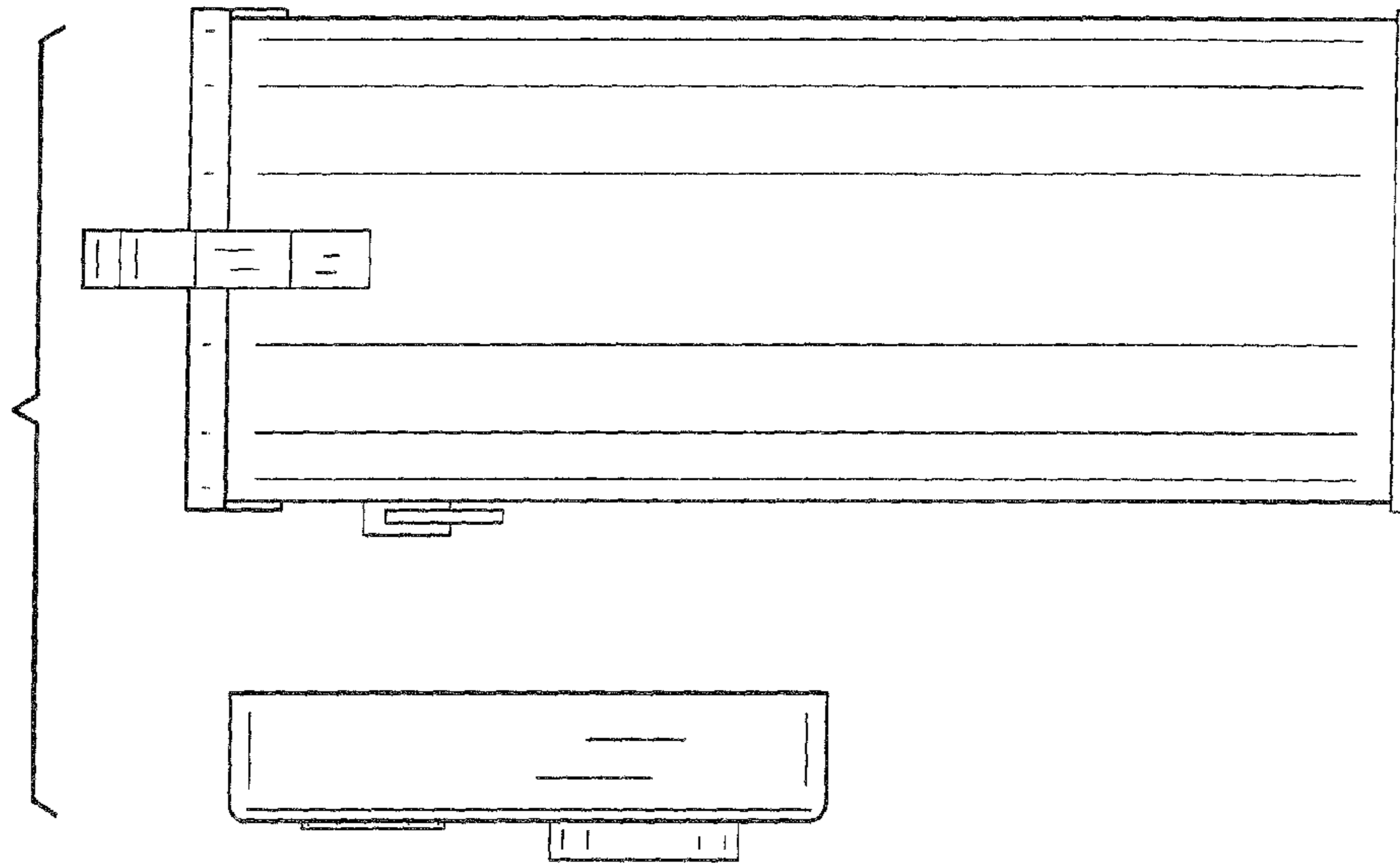


FIG. 6

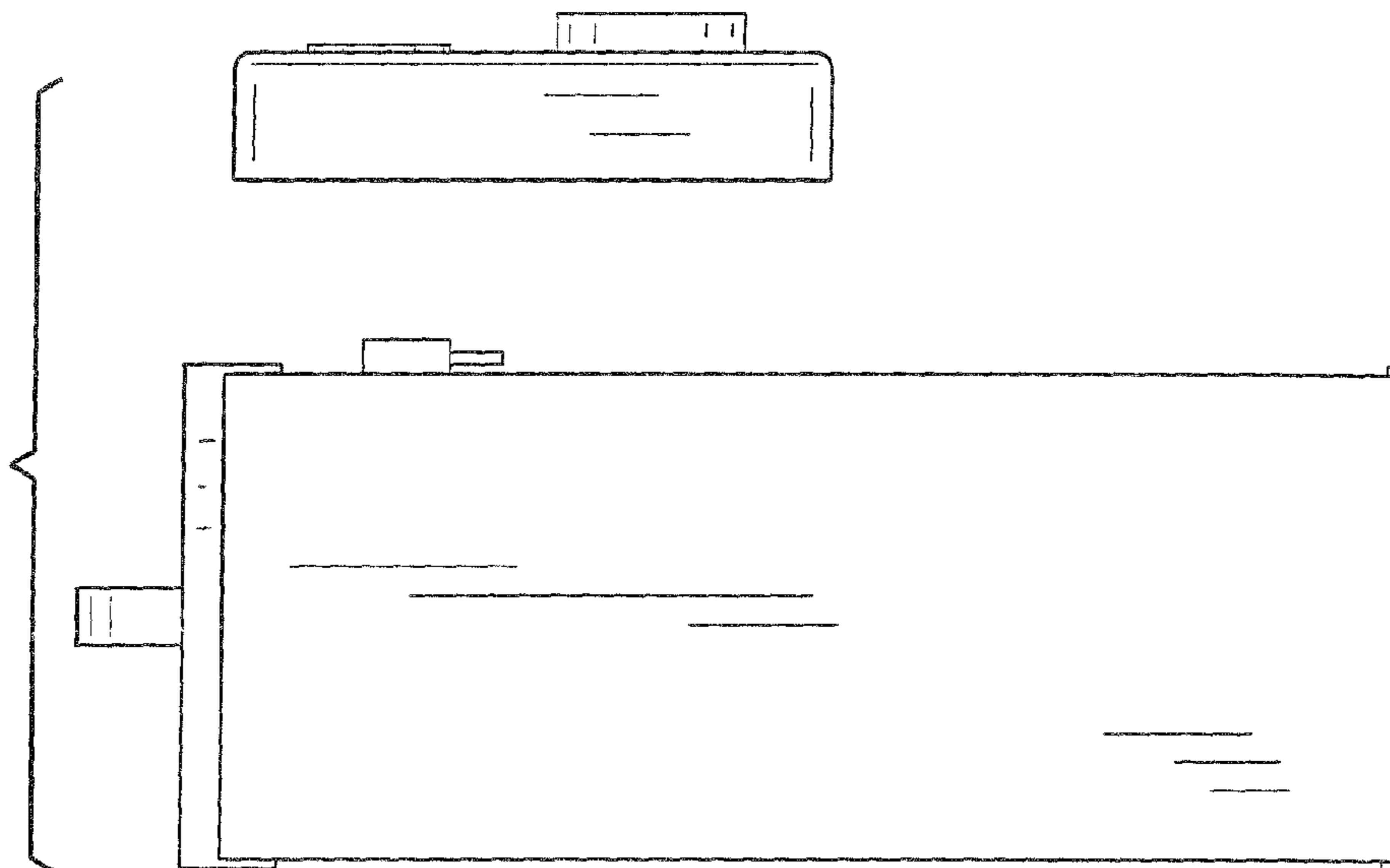


FIG. 7