



US00D617972S

(12) **United States Design Patent**
Lucht

(10) **Patent No.:** **US D617,972 S**
(45) **Date of Patent:** **** Jun. 15, 2010**

(54) **UTILITY RAMP**

(76) Inventor: **Duane Lucht**, 1247 Clarence Avenue,
Winnipeg, Manitoba (CA) R3T 1T4

(**) Term: **14 Years**

(21) Appl. No.: **29/343,624**

(22) Filed: **Sep. 16, 2009**

(51) **LOC (9) Cl.** **12-05**

(52) **U.S. Cl.** **D34/32**

(58) **Field of Classification Search** D34/32;
414/537; 14/71.1, 71.7, 69.5, 71.3, 304.1;
16/386

See application file for complete search history.

(56) **References Cited**

U.S. PATENT DOCUMENTS

| | | | | |
|--------------|------|---------|------------------------|---------|
| 3,511,393 | A * | 5/1970 | Abromavage et al. | 414/537 |
| 4,759,682 | A * | 7/1988 | Hood | 414/537 |
| D300,073 | S * | 2/1989 | Crump | D34/32 |
| D373,885 | S * | 9/1996 | Holland, Jr. | D34/32 |
| D382,676 | S * | 8/1997 | Holbrook | D30/119 |
| 6,536,064 | B1 * | 3/2003 | Swink et al. | 14/69.5 |
| D595,920 | S * | 7/2009 | Lederhause et al. | D34/32 |
| D596,368 | S * | 7/2009 | Holicki | D34/32 |
| 2002/0197141 | A1 * | 12/2002 | Cohn | 414/537 |
| 2006/0104773 | A1 * | 5/2006 | Koretsky et al. | 414/537 |
| 2009/0035113 | A1 * | 2/2009 | Morris et al. | 414/537 |

| | | | | |
|--------------|------|---------|--------------------|---------|
| 2009/0271934 | A1 * | 11/2009 | Morris et al. | 14/71.3 |
| 2009/0300859 | A1 * | 12/2009 | Lucht | 14/69.5 |
| 2010/0032918 | A1 * | 2/2010 | Chamoun | 280/30 |

* cited by examiner

Primary Examiner—Cynthia E Ramirez

(74) *Attorney, Agent, or Firm*—Ade & Company Inc.; Ryan
W. Dupuis; Kyle R. Satterthwaite

(57) **CLAIM**

The ornamental design for a utility ramp, as shown and described.

DESCRIPTION

FIG. 1 is a perspective view of a top side of the utility ramp;
FIG. 2 is a perspective view of a bottom side of the utility
ramp;

FIG. 3 is a top plan view of the utility ramp;

FIG. 4 is a bottom plan view of the utility ramp;

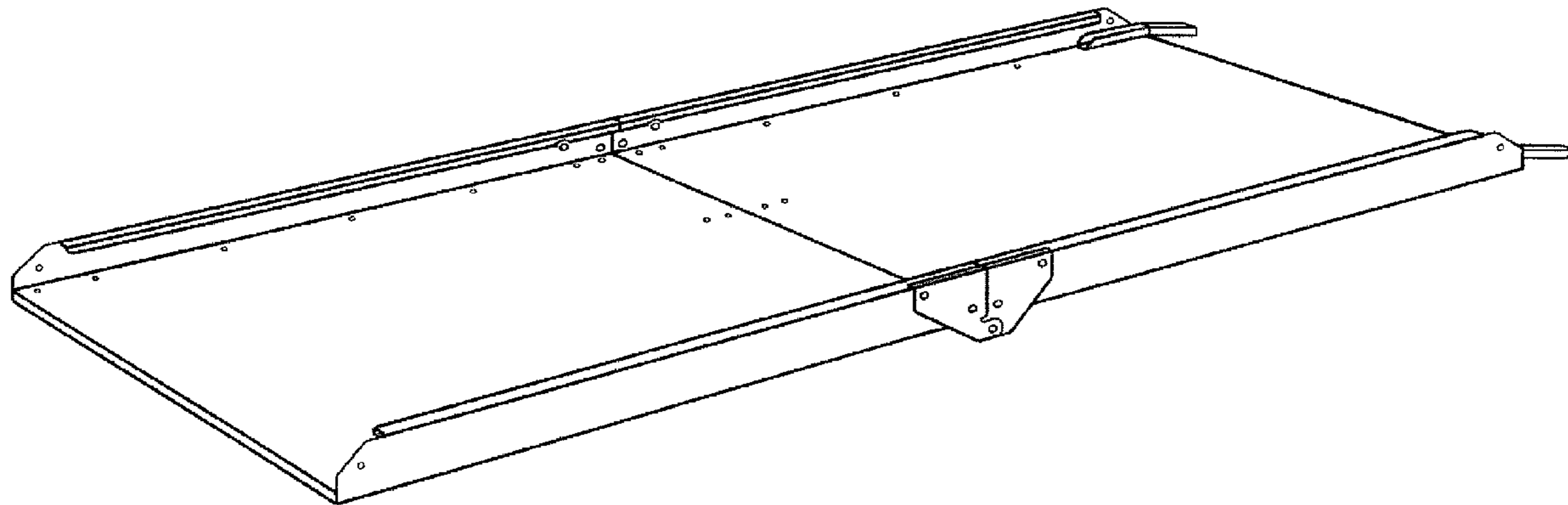
FIG. 5 is a left side elevational view of the utility ramp;

FIG. 6 is a right side elevational view of the utility ramp;

FIG. 7 is an end elevational view of a first end of the utility
ramp; and,

FIG. 8 is an end elevational view of an opposing second end
of the utility ramp.

1 Claim, 7 Drawing Sheets



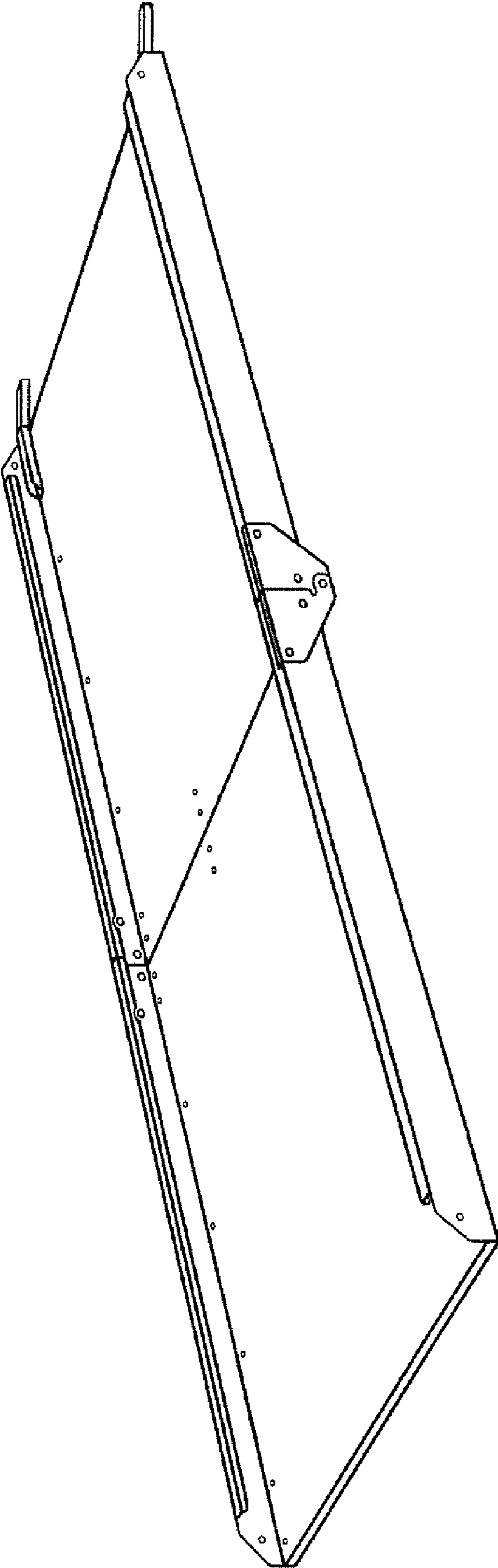


FIG. 1

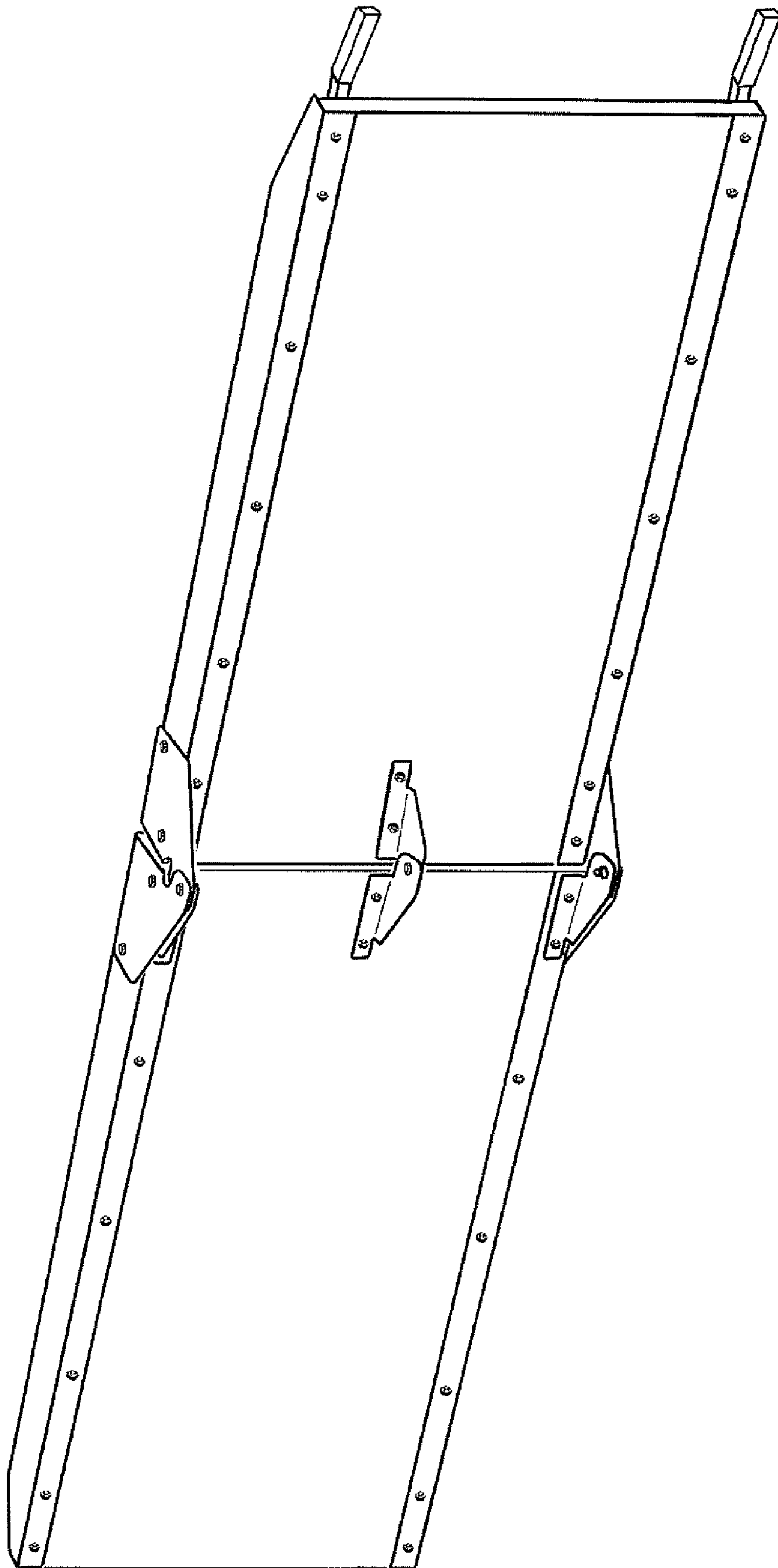


FIG. 2

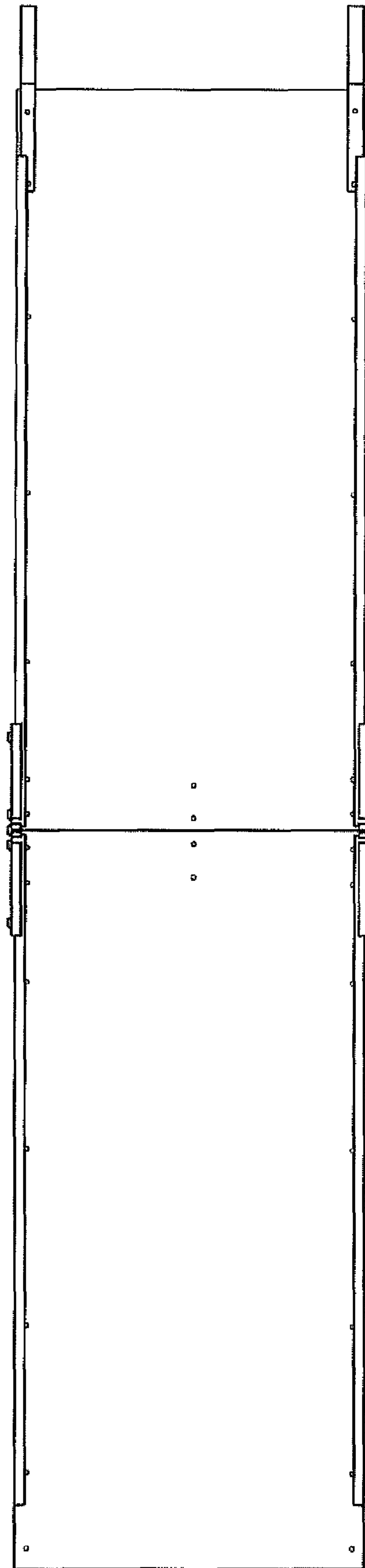


FIG. 3

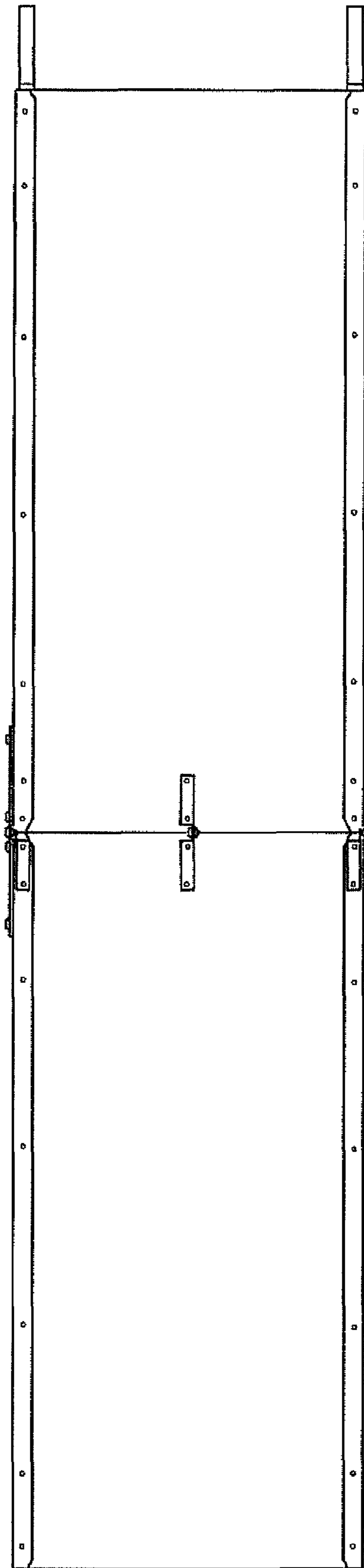


FIG. 4

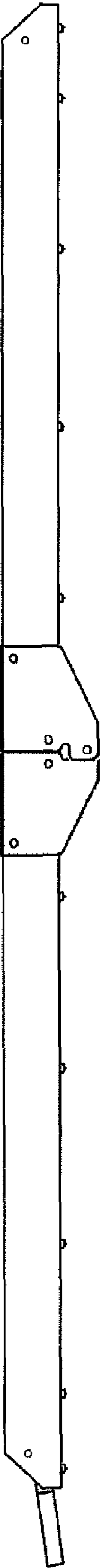


FIG. 5

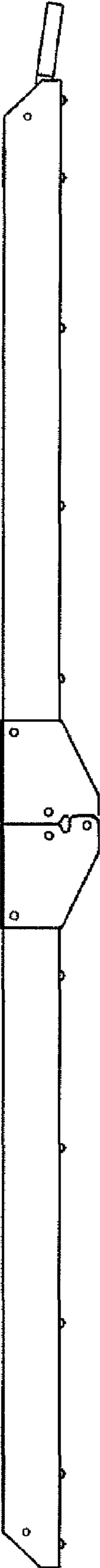


FIG. 6

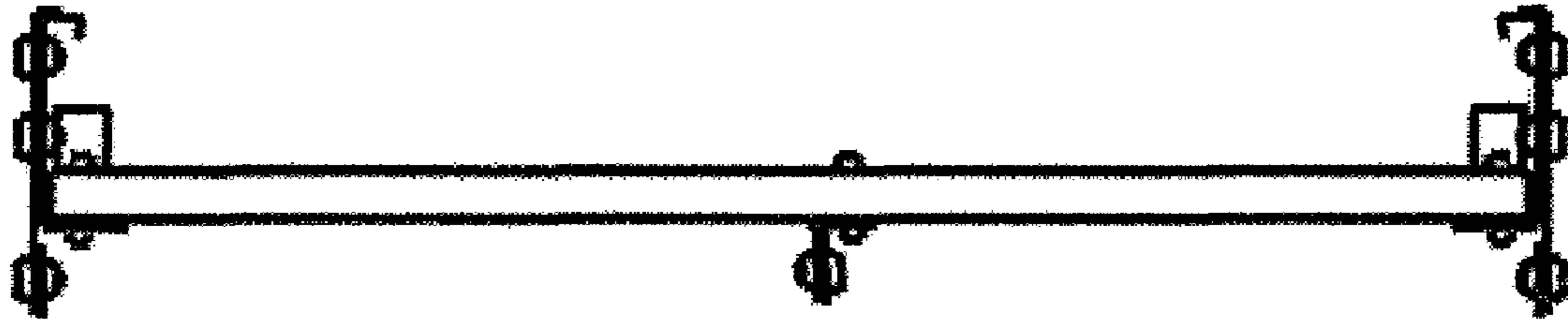


FIG. 7

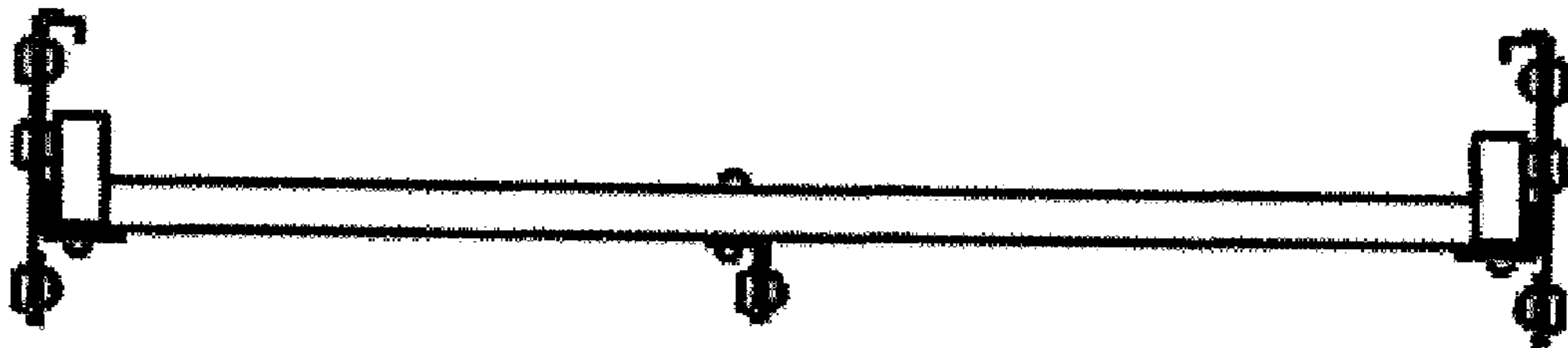


FIG. 8