



US00D617971S

(12) **United States Design Patent**
Van Landingham, Jr. et al.

(10) **Patent No.:** **US D617,971 S**
(45) **Date of Patent:** **** Jun. 15, 2010**

(54) **WASTE CONTAINER SYSTEM**

(75) Inventors: **Aldred Reneau Van Landingham, Jr.**,
Stephens City, VA (US); **Michael**
Andrew Roby, Winchester, VA (US)

(73) Assignee: **Rubbermaid Commercial Products,**
LLC, Winchester, VA (US)

(**) Term: **14 Years**

(21) Appl. No.: **29/342,580**

(22) Filed: **Aug. 27, 2009**

(51) **LOC (9) Cl.** **09-09**

(52) **U.S. Cl.** **D34/5; D34/10**

(58) **Field of Classification Search** D34/1,
D34/5, 6, 10, 11; 280/47.26, 652, 47.27,
280/654, 79.5, 47.29

See application file for complete search history.

(56) **References Cited**

U.S. PATENT DOCUMENTS

5,380,033	A *	1/1995	Harling	280/654
6,027,128	A *	2/2000	Stich et al.	280/47.16
D436,705	S *	1/2001	Dow et al.	D34/5
6,823,998	B2 *	11/2004	Fabregas	211/70.6
D508,596	S *	8/2005	Chochinov et al.	D34/10
7,240,910	B2 *	7/2007	Stuemke	280/79.5
D552,320	S *	10/2007	Presnell et al.	D34/5
2006/0219586	A1 *	10/2006	Phillips	206/373

* cited by examiner

Primary Examiner—Cynthia E Ramirez

(74) *Attorney, Agent, or Firm*—Dennis J. Williamson; Moore
& Van Allen, PLLC

(57) **CLAIM**

We claim the ornamental design for a waste container system,
as shown and described.

DESCRIPTION

FIG. 1 is a perspective view showing an embodiment of our
new design for a waste container system;

FIG. 2 is a front view showing our new design shown in FIG.
1;

FIG. 3 is a back view showing our new design shown in FIG.
1;

FIG. 4 is a left side view showing our new design shown in
FIG. 1;

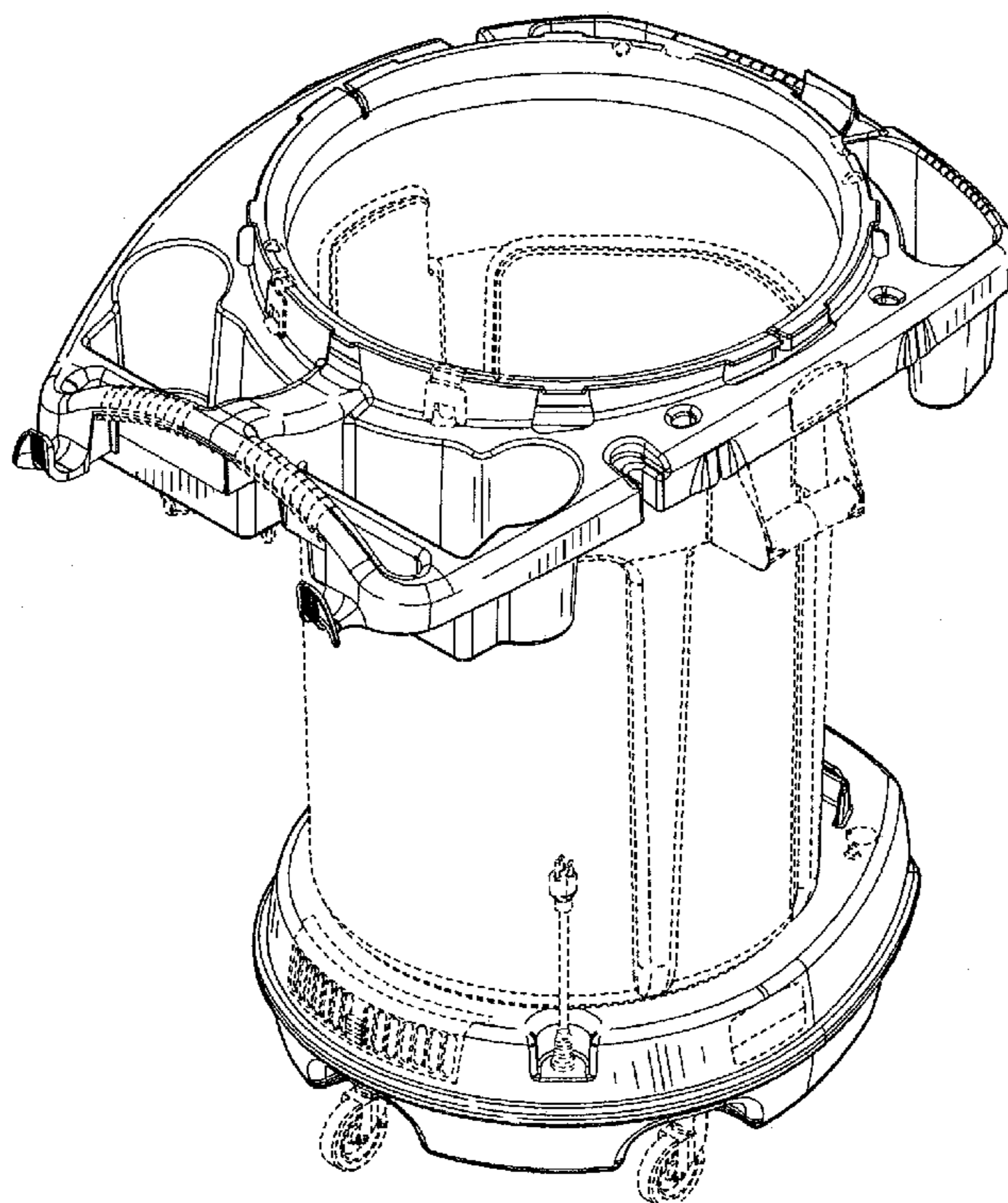
FIG. 5 is a right side view showing our new design shown in
FIG. 1;

FIG. 6 is a top view showing our new design shown in FIG. 1;
and,

FIG. 7 is a bottom view showing our new design shown in
FIG. 1.

The portions shown in broken lines are not part of the claimed
design but show the environment in which the design is asso-
ciated.

1 Claim, 7 Drawing Sheets



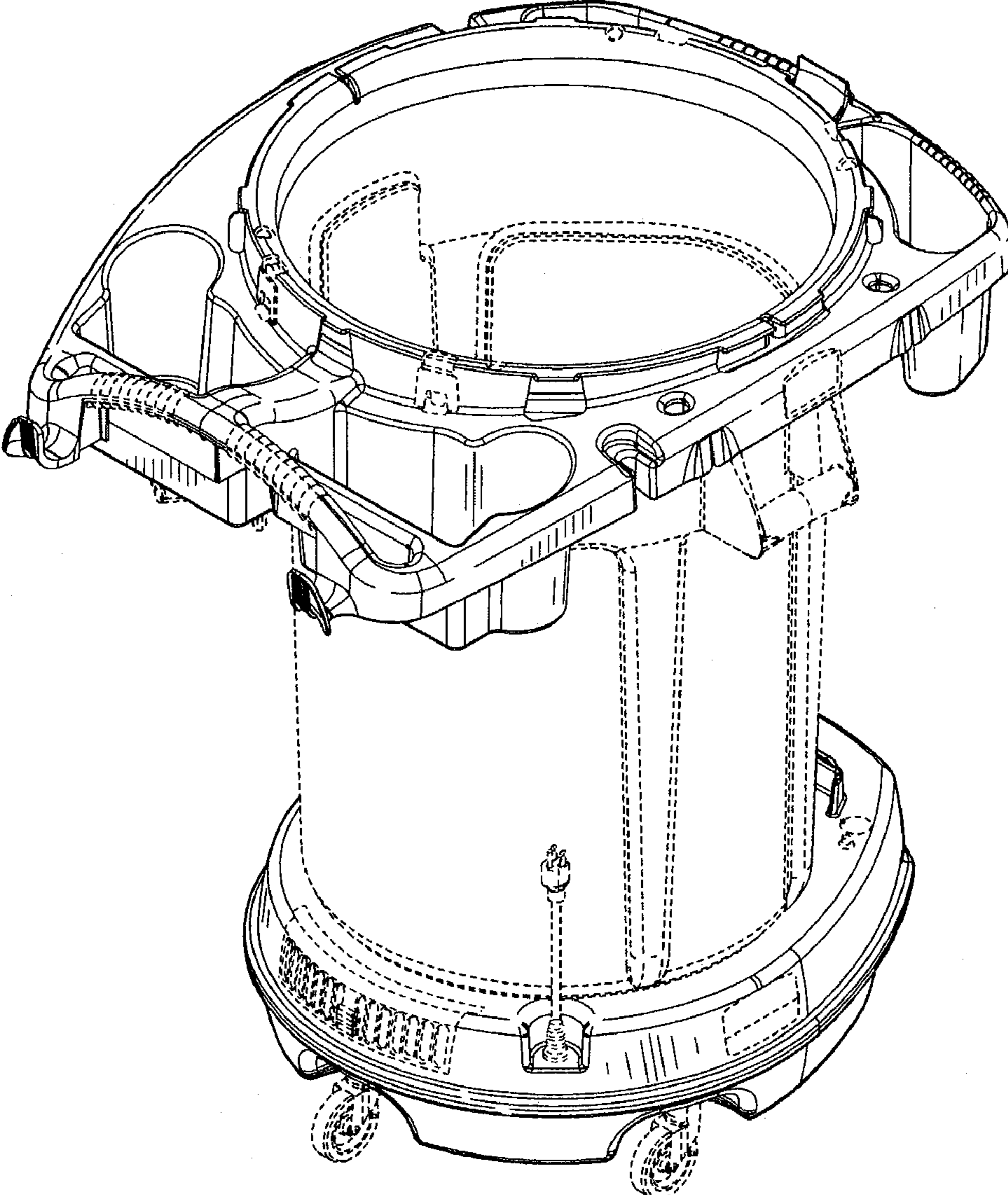


FIG. 1

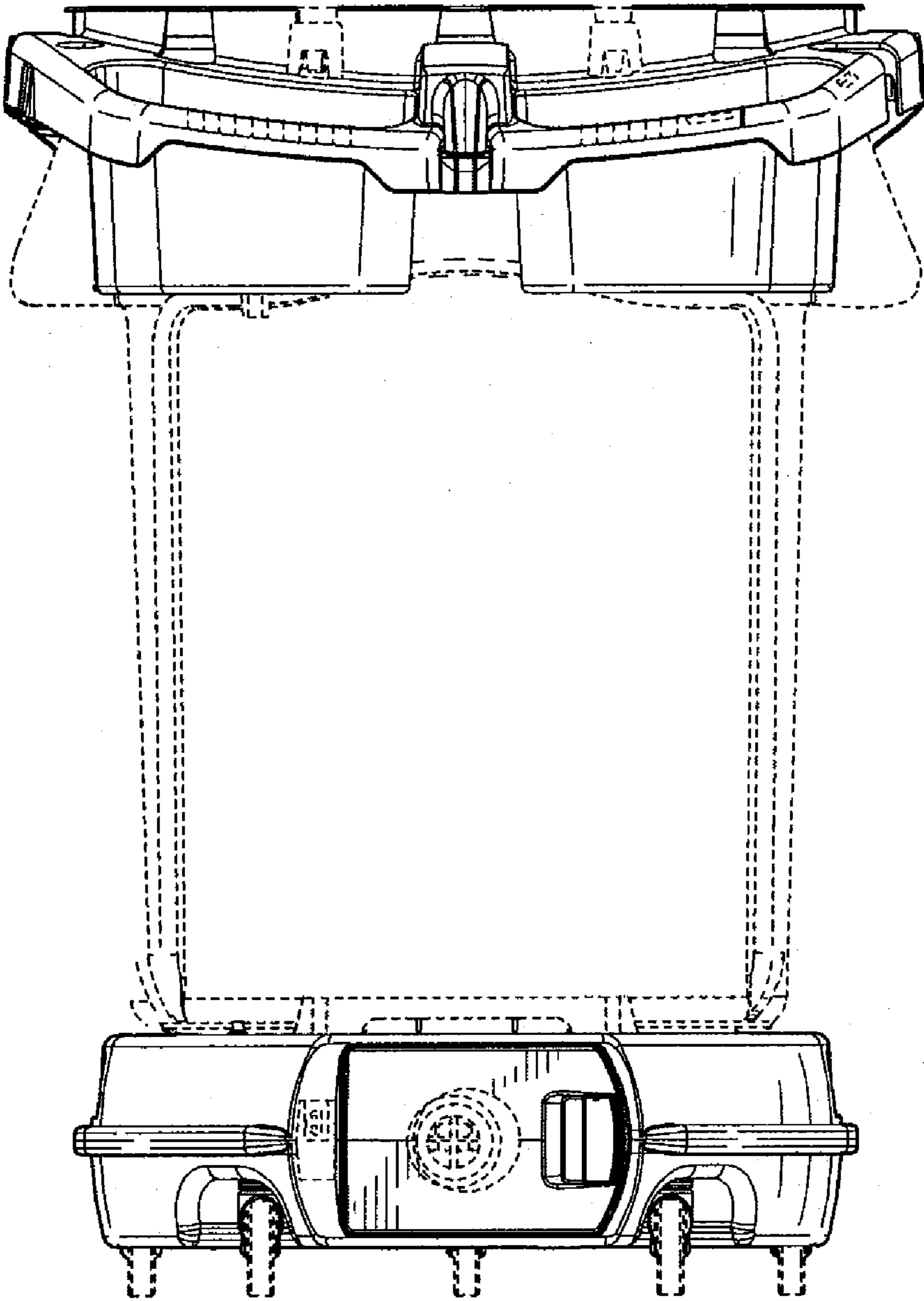


FIG. 2

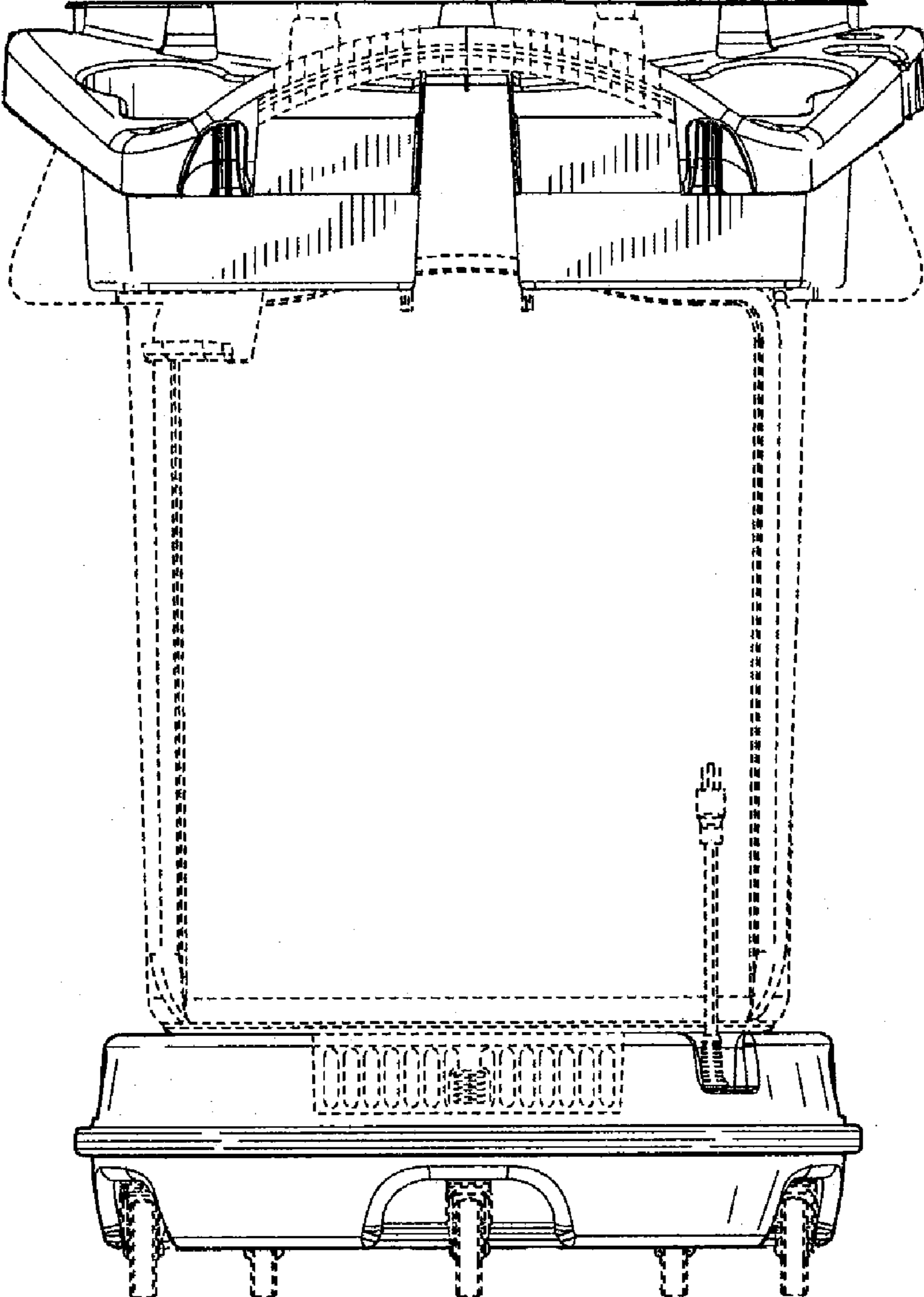


FIG. 3

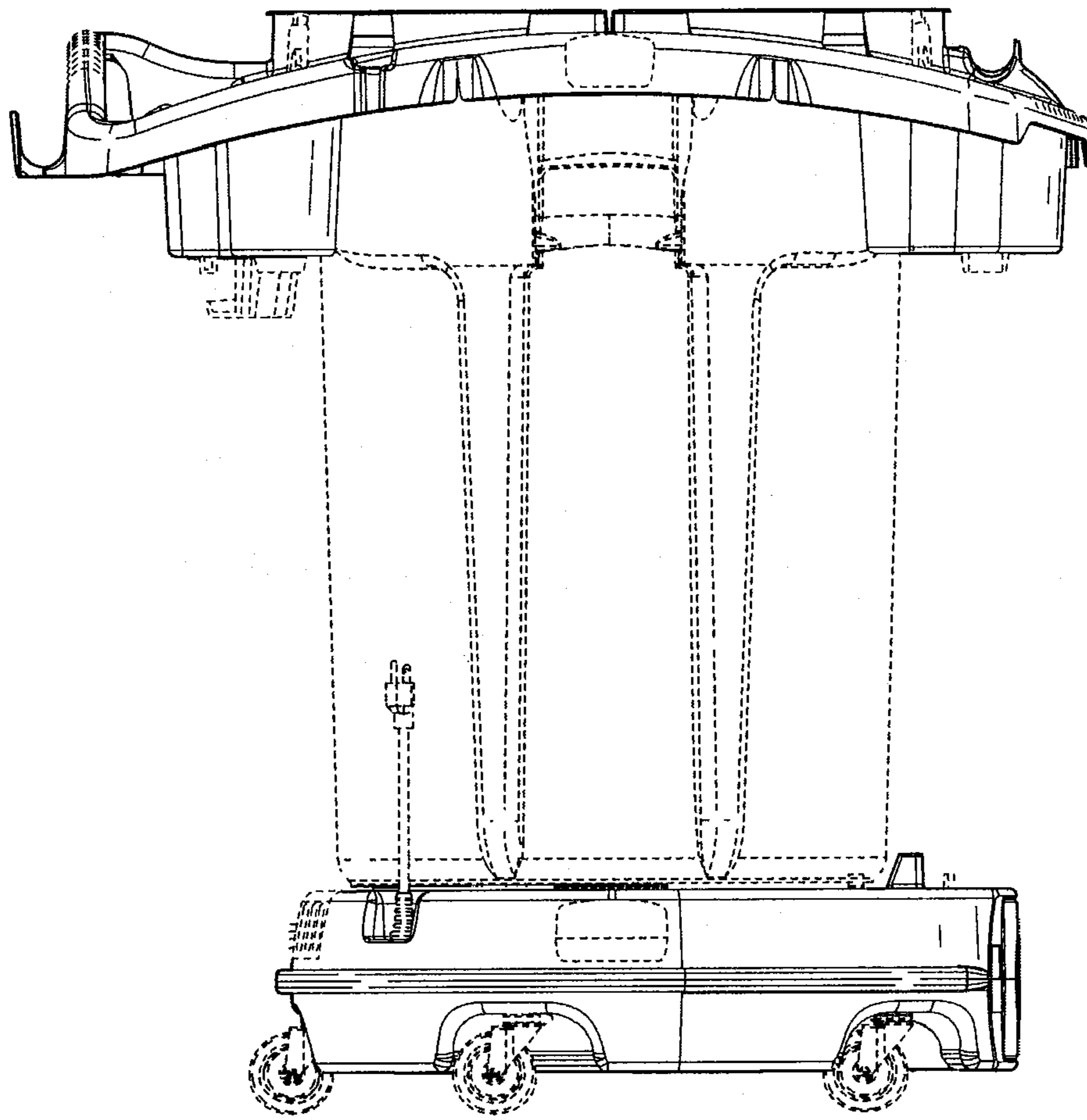


FIG. 4

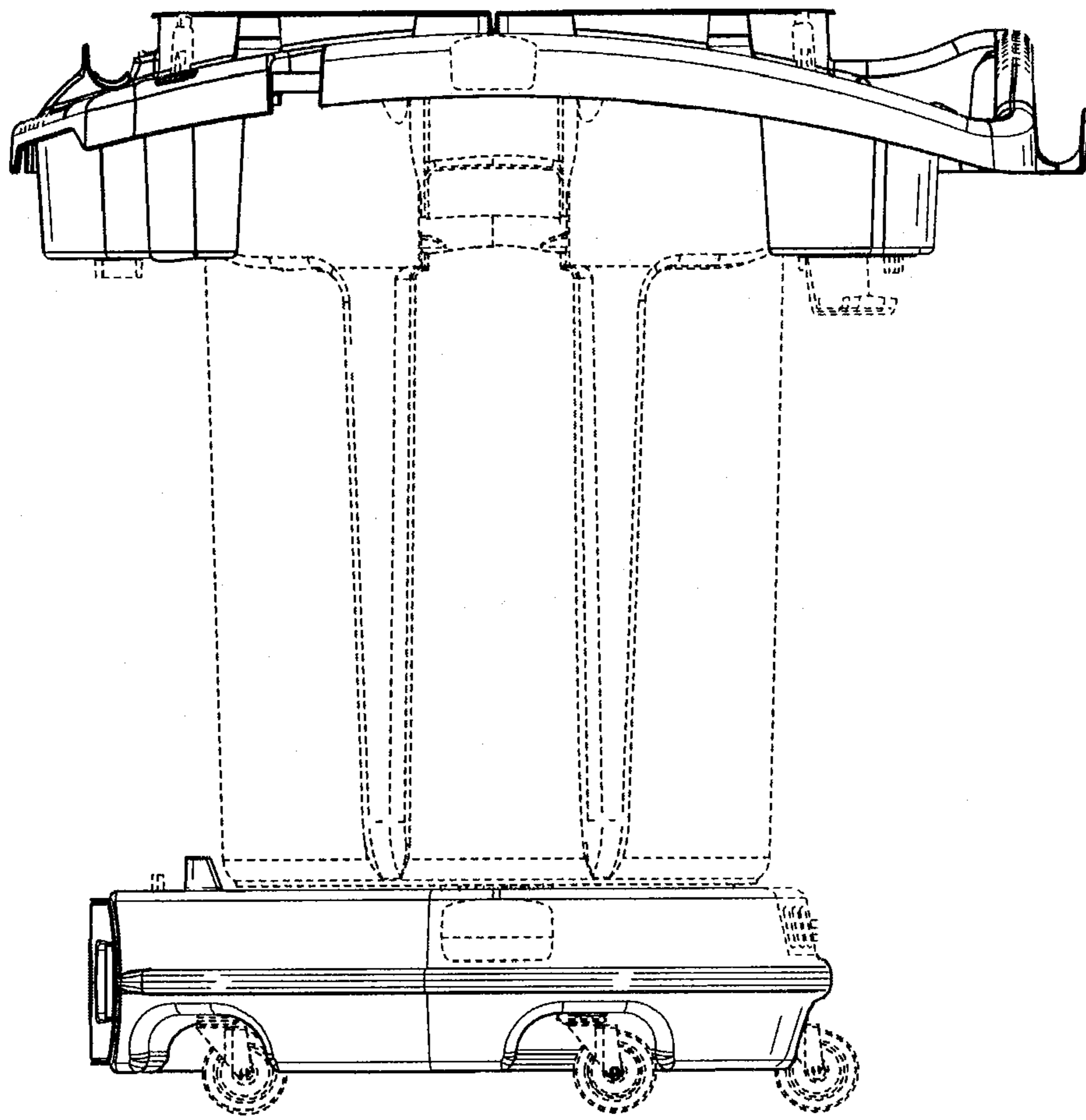


FIG. 5

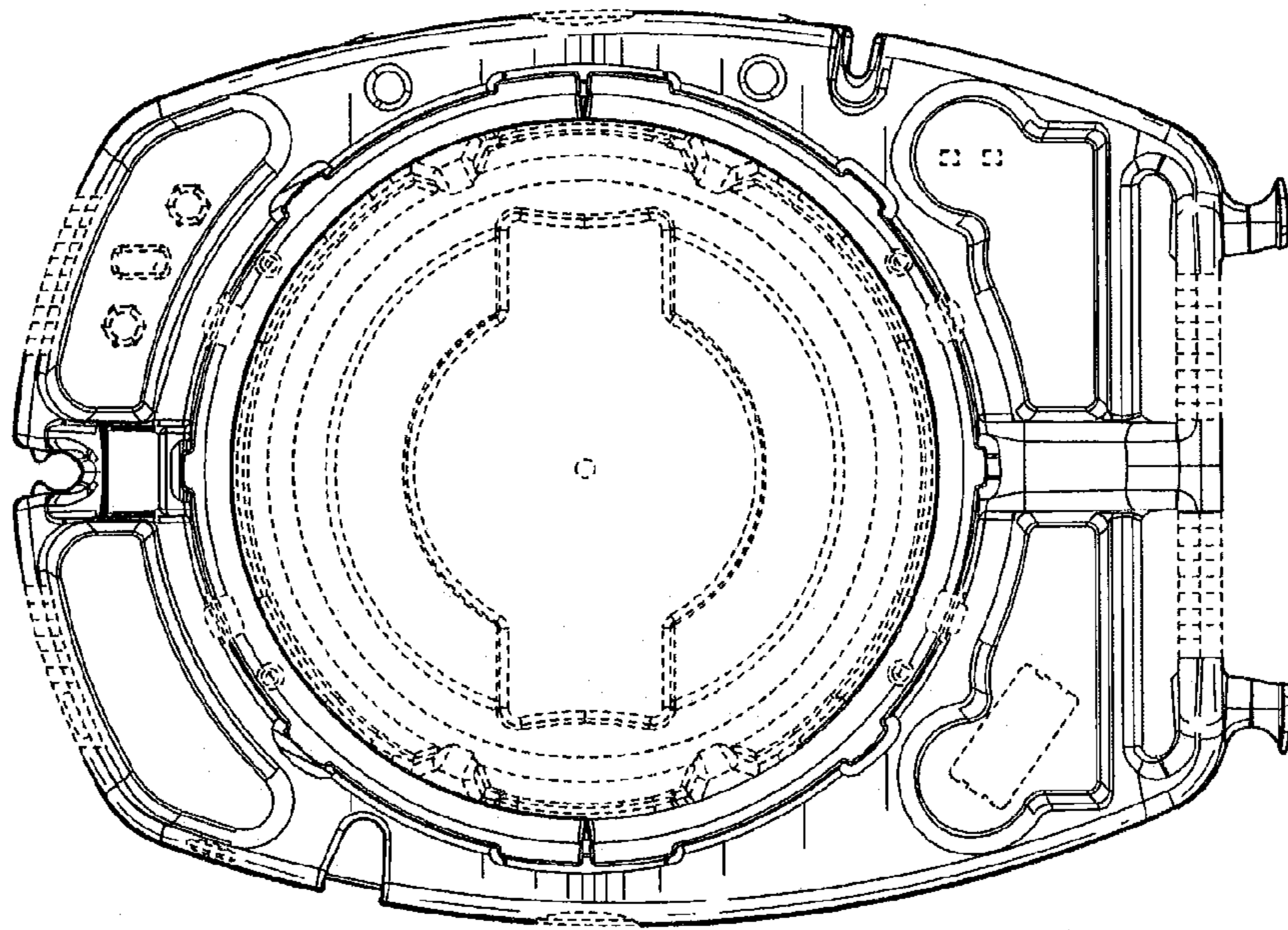


FIG. 6

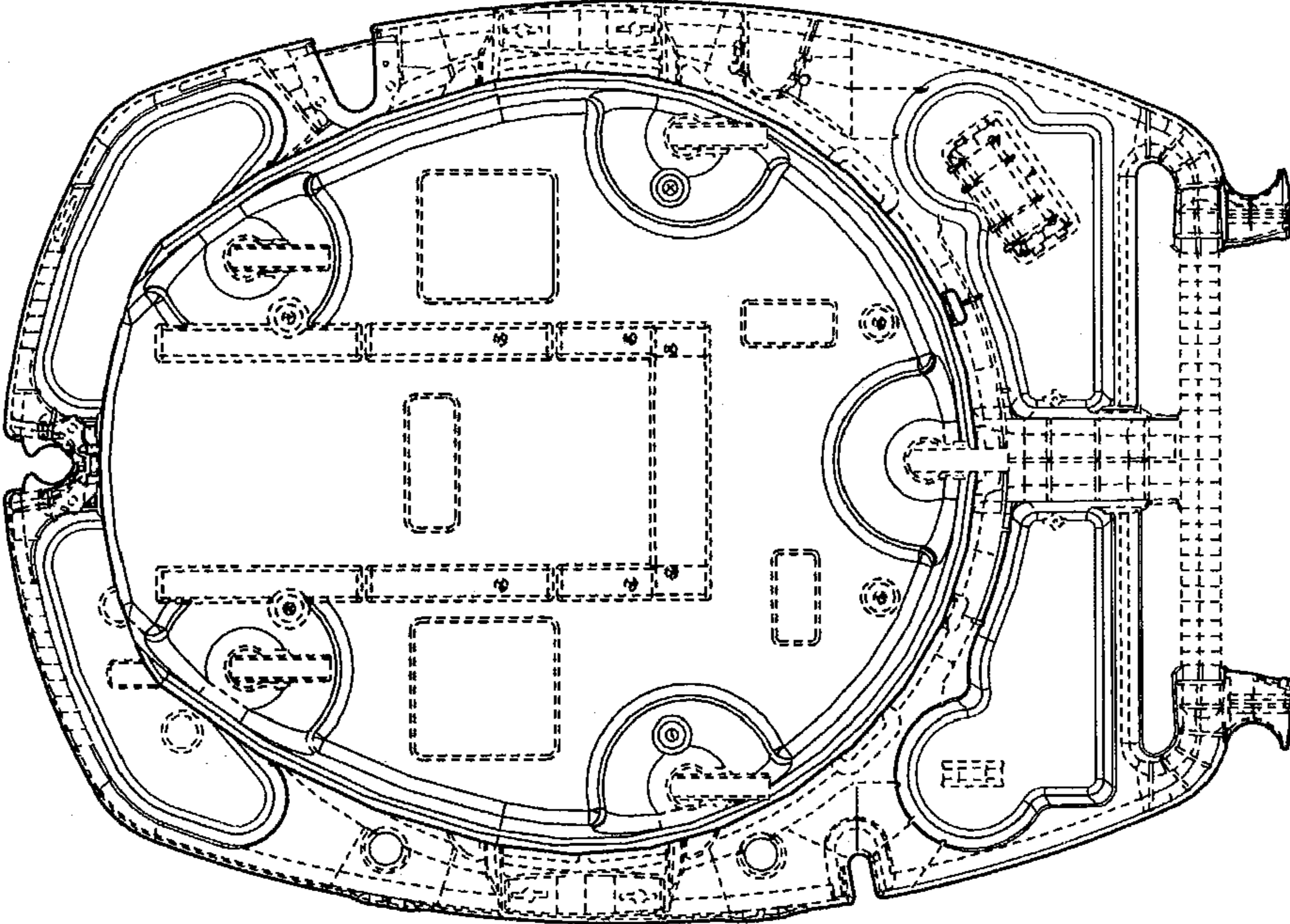


FIG. 7