



US00D617968S

(12) **United States Design Patent**
Andresen

(10) **Patent No.:** **US D617,968 S**
(45) **Date of Patent:** **** Jun. 15, 2010**

(54) **UNIT FOR SOURCE SEPARATION AND
TEMPORARY STORAGE OF WASTE**

5,072,852 A * 12/1991 Smith et al. 220/495.09
6,138,558 A * 10/2000 Harrington 100/102
D531,777 S * 11/2006 Richter D34/6
D584,467 S * 1/2009 Tuncel D34/7

(75) Inventor: **Marius Andresen**, Oslo (NO)

* cited by examiner

(73) Assignee: **Green Profile AS**, Oslo (NO)

Primary Examiner—Cynthia E Ramirez

(**) Term: **14 Years**

(74) *Attorney, Agent, or Firm*—Finnegan, Henderson,
Farabow, Garrett & Dunner, L.L.P.

(21) Appl. No.: **29/339,815**

(22) Filed: **Jul. 8, 2009**

(57) **CLAIM**

(30) **Foreign Application Priority Data**

The ornamental design for a unit for source separation and temporary storage of waste, as shown and described.

Jan. 8, 2009 (NO) 20090016

DESCRIPTION

(51) **LOC (9) Cl.** **09-09**

FIG. 1 is a perspective view of the claimed design.

(52) **U.S. Cl.** **D34/1**

FIG. 2 is a top view of the claimed design.

(58) **Field of Classification Search** D34/1,
D34/5, 6, 7, 8, 9, 10, 11; 220/908–913
See application file for complete search history.

FIG. 3 is a front view of the claimed design.

FIG. 4 is a rear view of the claimed design.

(56) **References Cited**

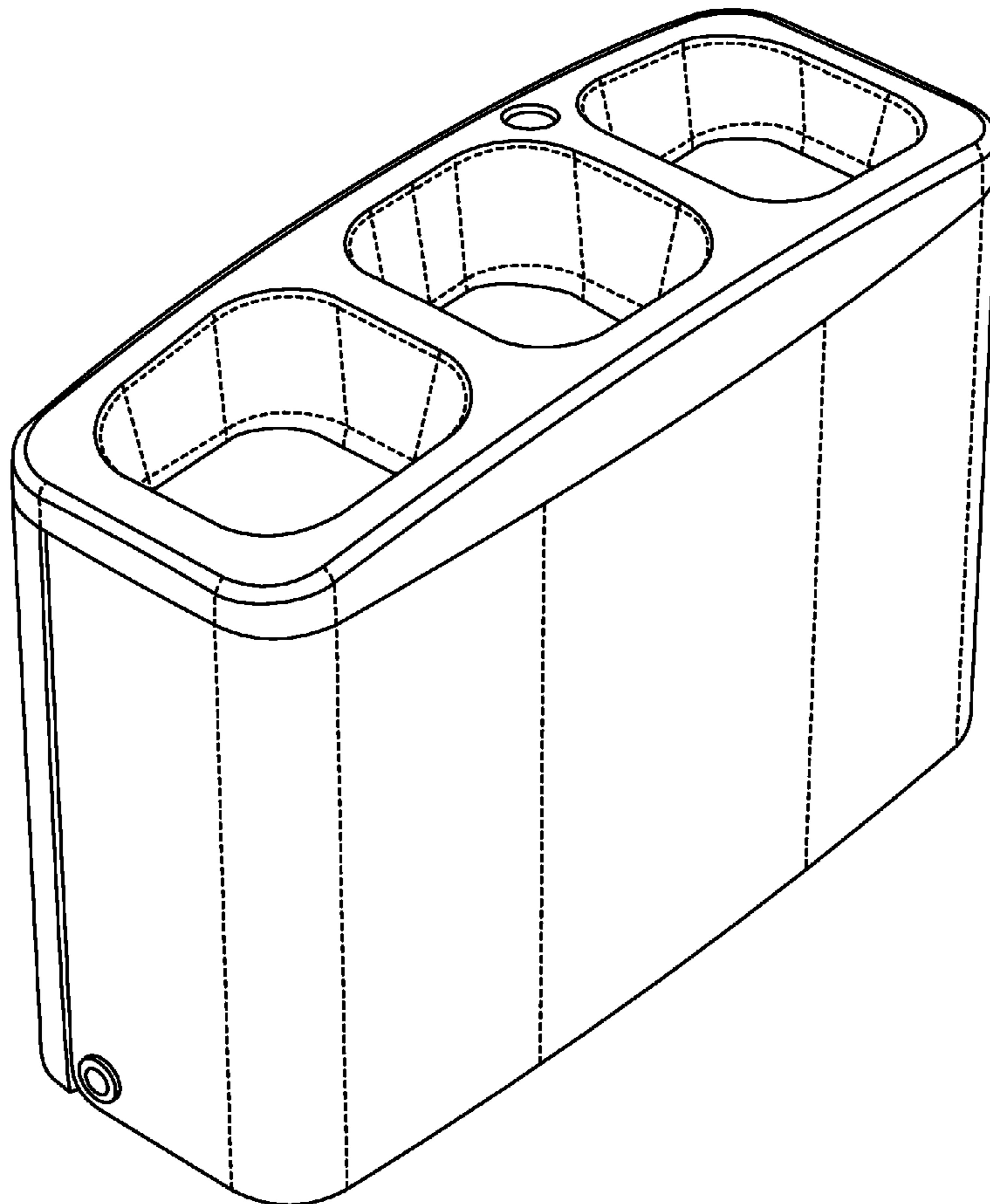
FIG. 5 is a left side view of the claimed design; and,

FIG. 6 is a right side view of the claimed design.

U.S. PATENT DOCUMENTS

D212,122 S * 8/1968 Lewis D34/8

1 Claim, 5 Drawing Sheets



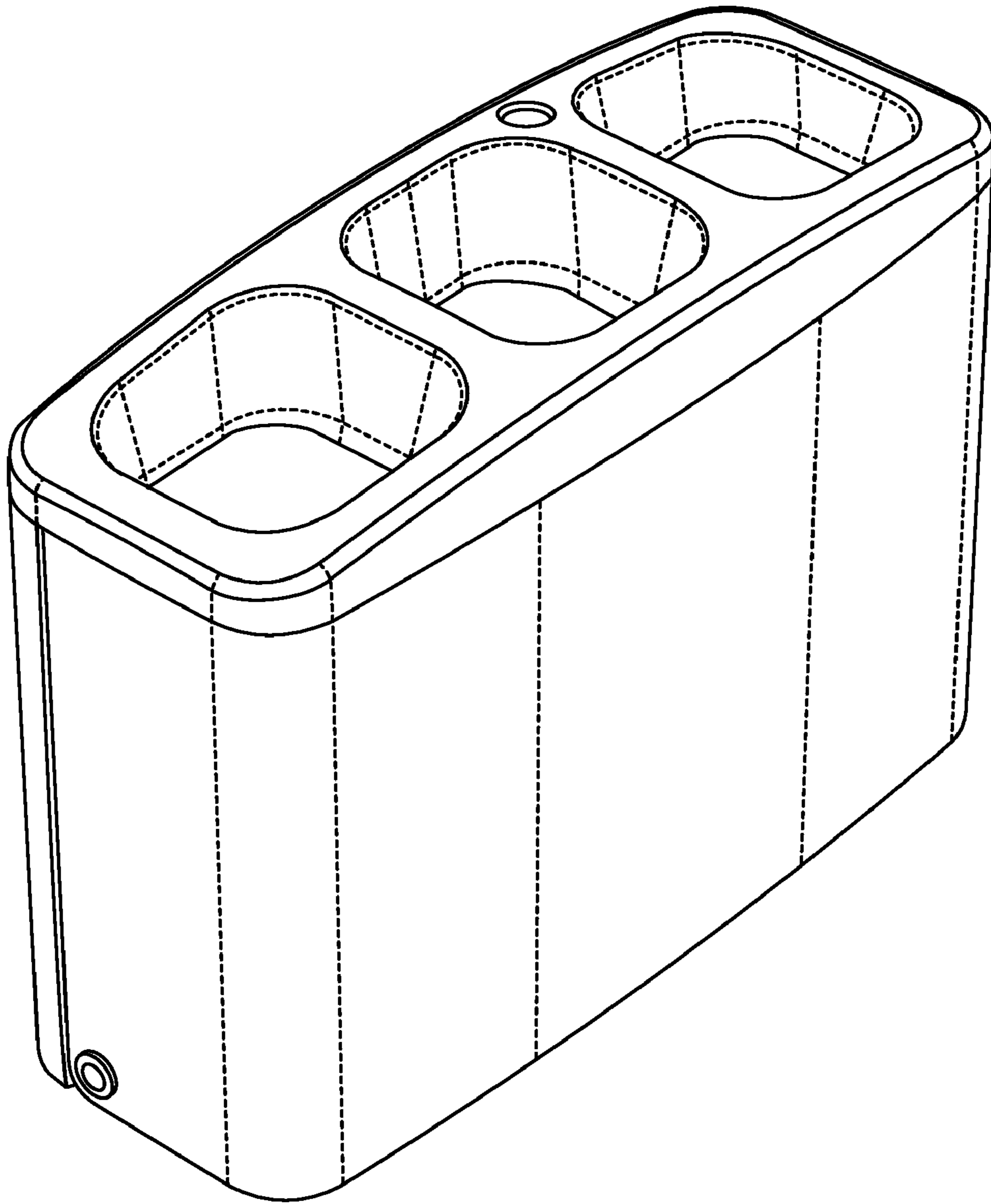


FIG. 1

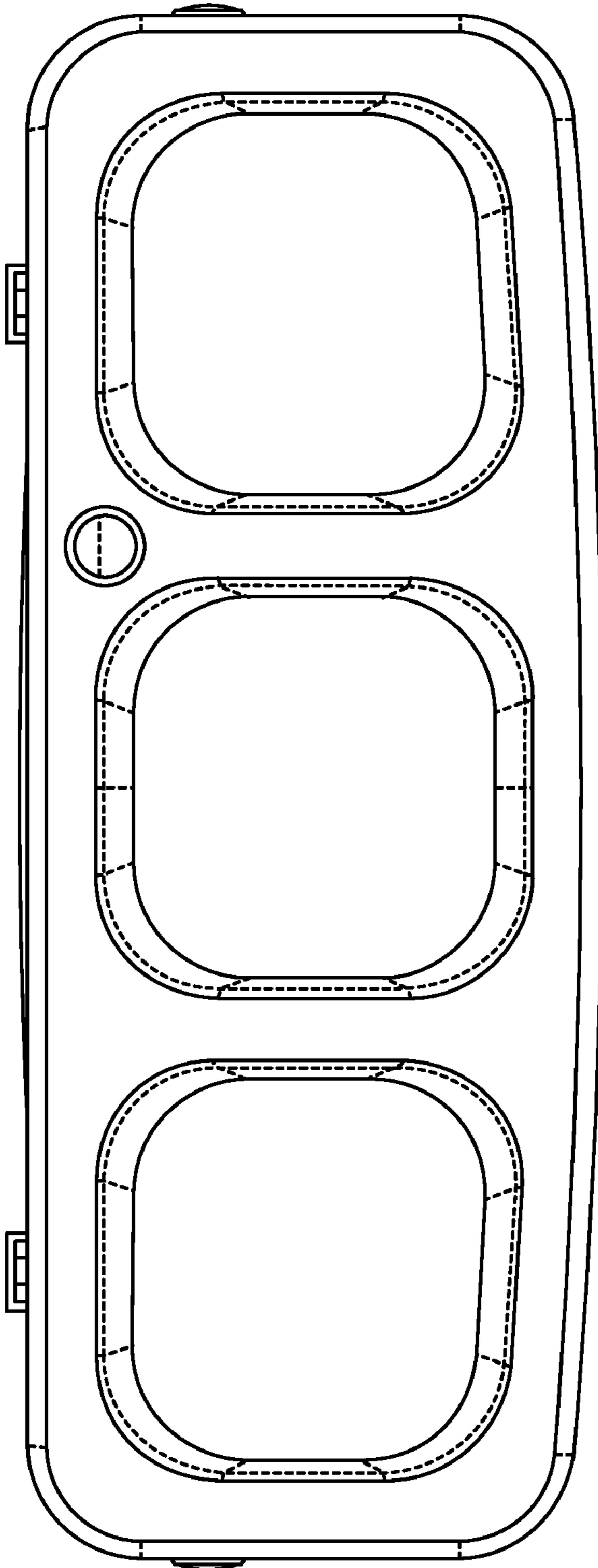


FIG. 2

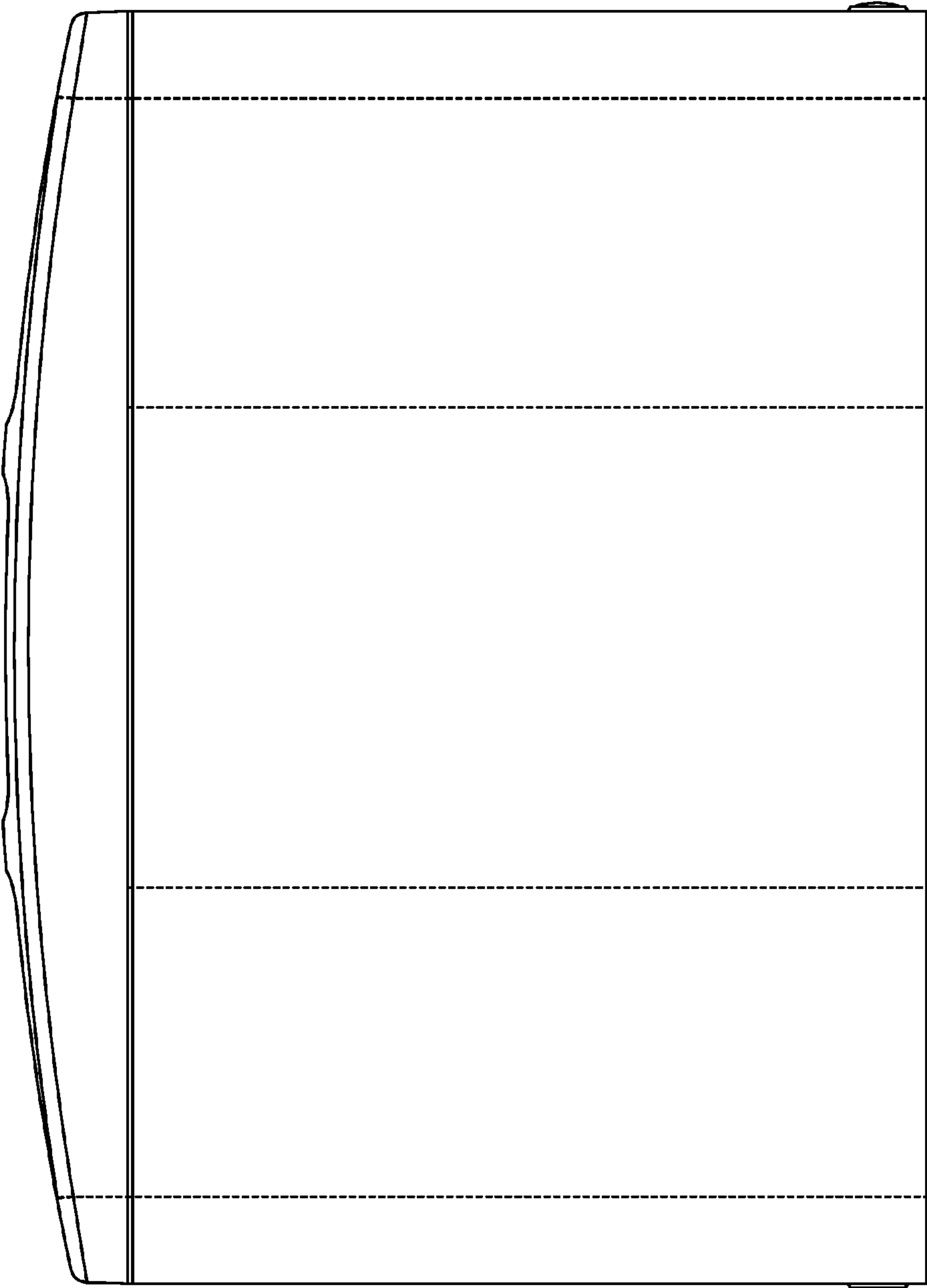


FIG. 3

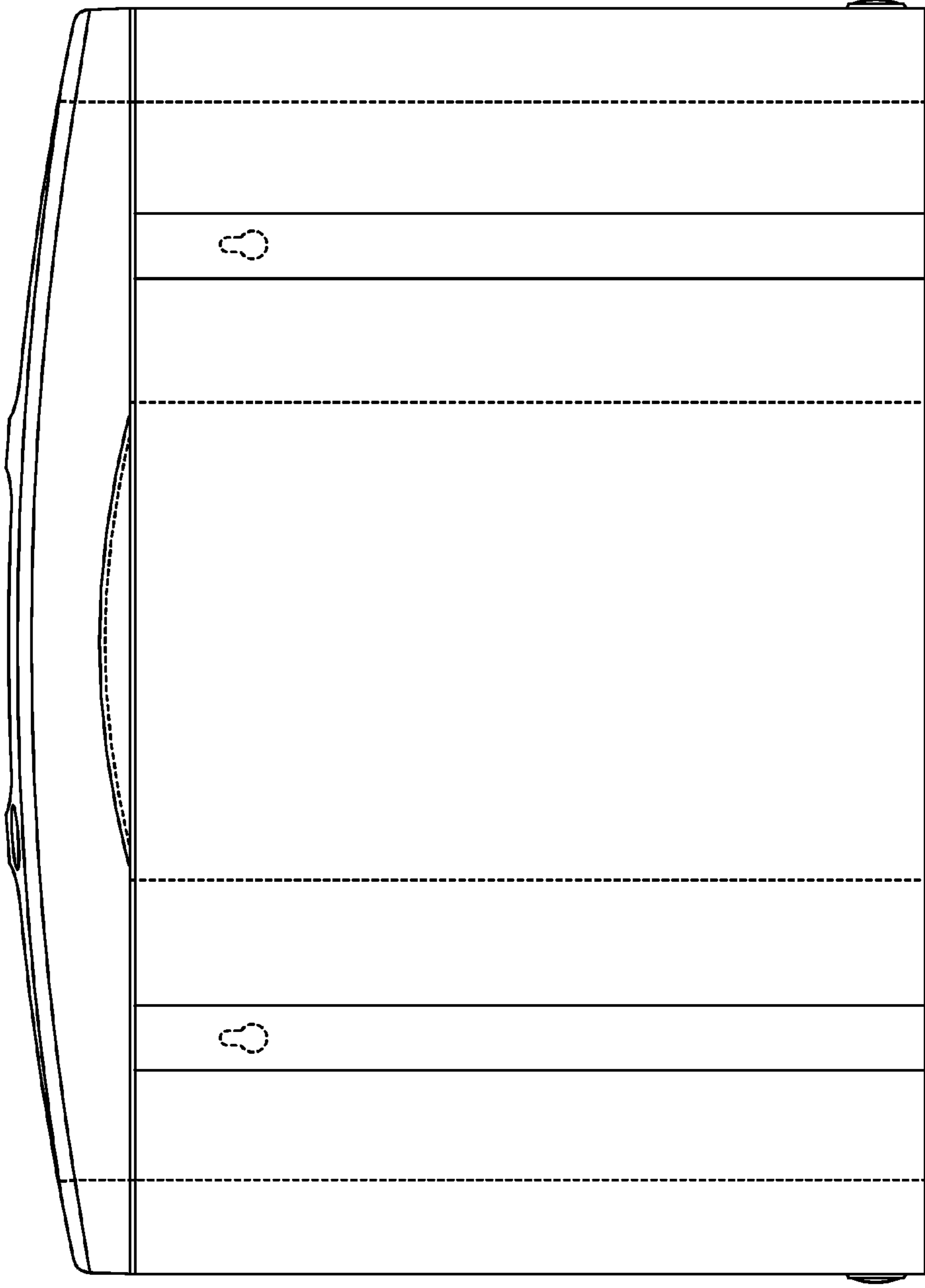


FIG. 4

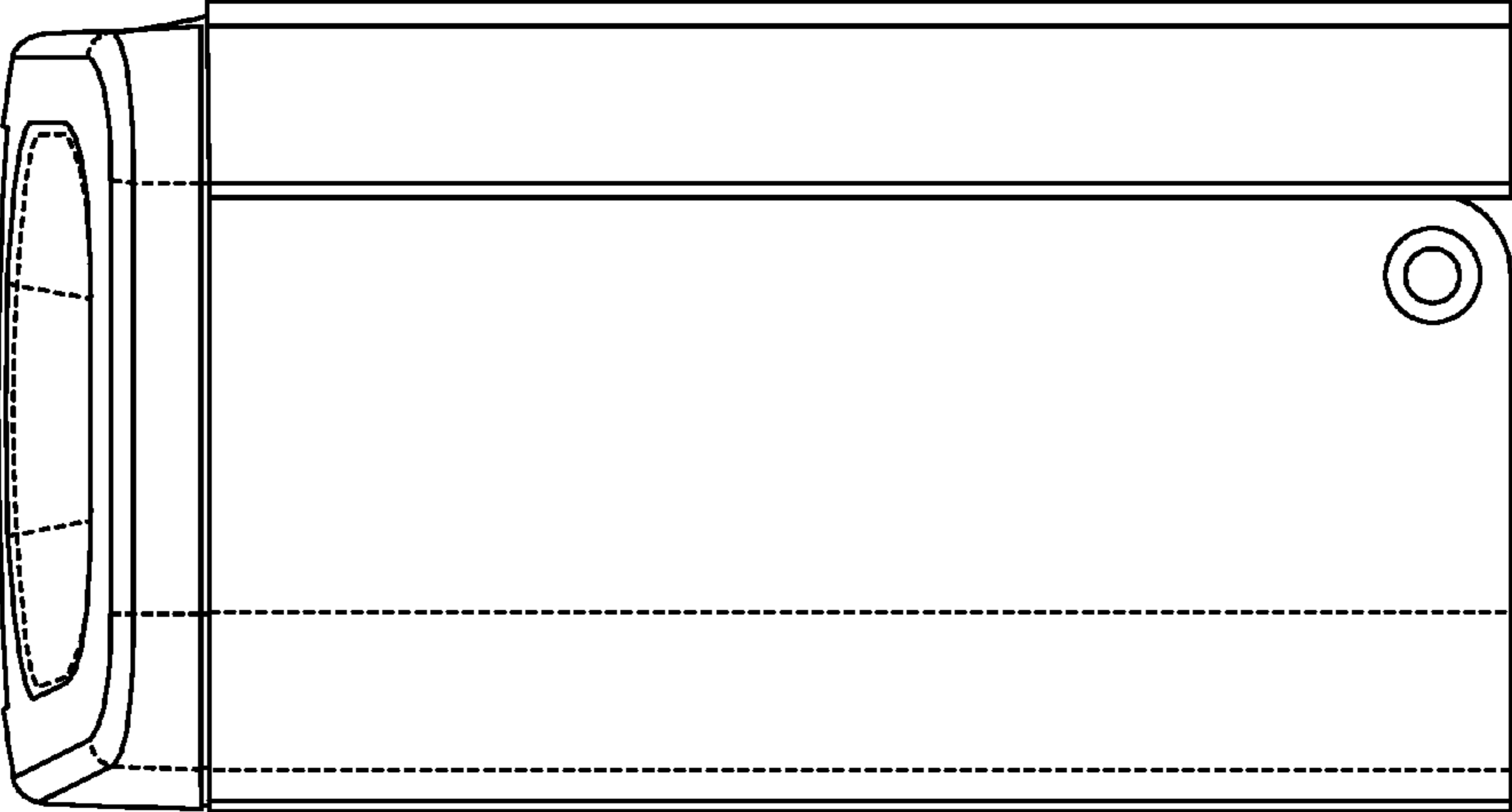


FIG. 6

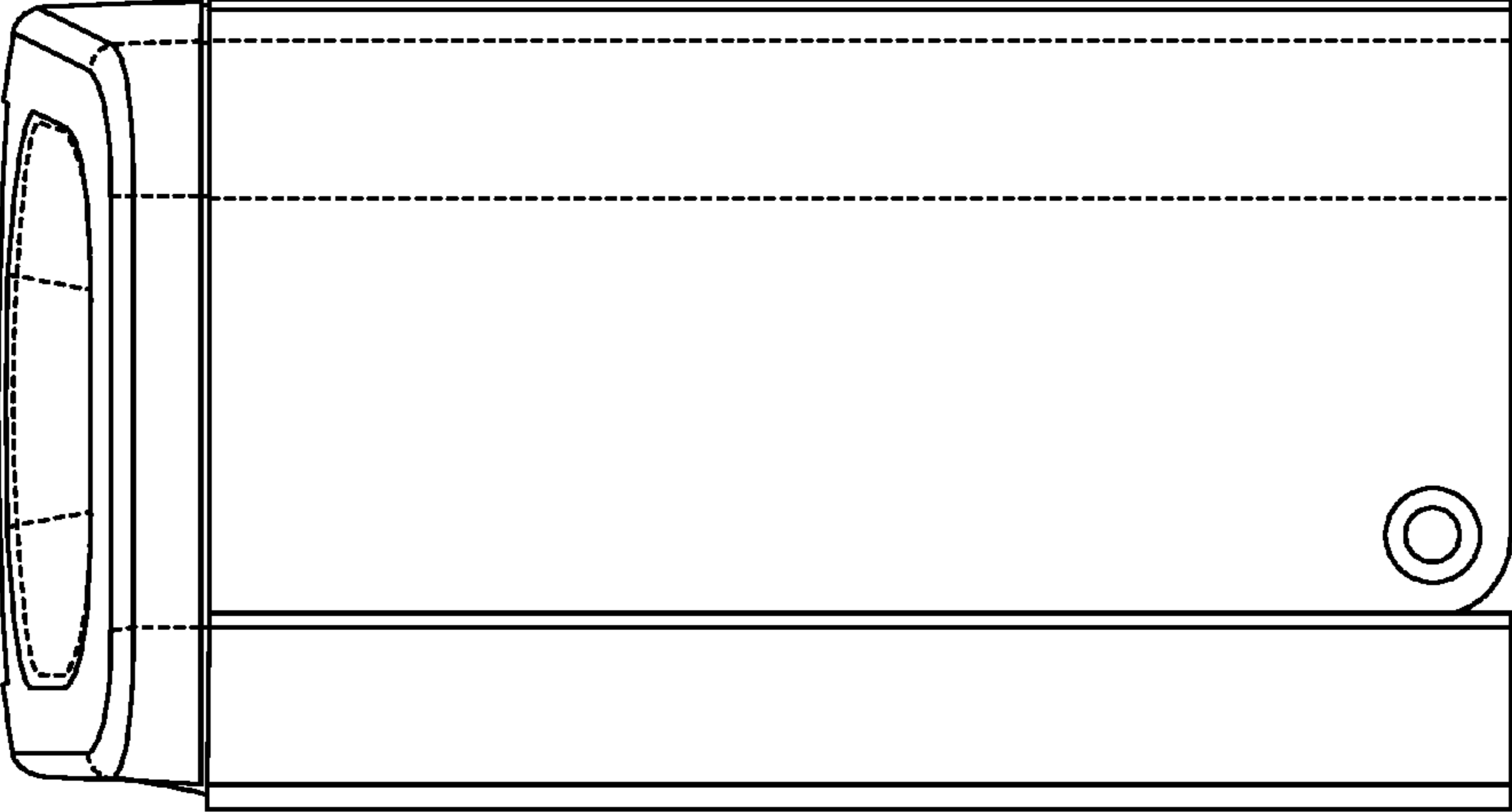


FIG. 5