



US00D617966S

(12) **United States Design Patent**
Lee et al.

(10) **Patent No.:** **US D617,966 S**
(45) **Date of Patent:** **** Jun. 15, 2010**

- (54) **RADIO BEACON FOR ROBOT VACUUM CLEANER**
- (75) Inventors: **Young Seok Lee**, Seoul (KR); **Seok Yul Lee**, Incheon (KR)
- (73) Assignee: **Samsung Electronics Co., Ltd.**, Suwon (KR)
- (**) Term: **14 Years**
- (21) Appl. No.: **29/338,565**
- (22) Filed: **Jun. 15, 2009**

- (51) **LOC (9) Cl.** **15-05**
- (52) **U.S. Cl.** **D32/31**
- (58) **Field of Classification Search** D32/21, D32/23, 31; 15/327.1, 327.2, 327.4, 327.5, 15/327.7, 320-321, 323, 301, 312.1, 314, 15/353, 412, 347, 344, 339, 352, 319, 340.1; 220/23.83, 23.6; 455/68, 92, 95; 901/1, 901/47, 8; 701/200

See application file for complete search history.

(56) **References Cited**

U.S. PATENT DOCUMENTS

D187,065	S	*	1/1960	Chapman	D32/23
4,369,543	A	*	1/1983	Chen et al.	15/319
D331,548	S	*	12/1992	Cardamone et al.	D10/107
D375,592	S	*	11/1996	Ljunggren	D32/21
D474,312	S	*	5/2003	Stephens et al.	D32/21

6,748,297	B2	*	6/2004	Song et al.	700/259
D524,495	S	*	7/2006	Ljunggren	D32/21
D526,753	S	*	8/2006	Tani et al.	D32/21
D586,959	S	*	2/2009	Geringer et al.	D32/21
D593,265	S	*	5/2009	Carr et al.	D32/21
D596,815	S	*	7/2009	Baek	D32/21
D602,215	S	*	10/2009	Ljunggren	D32/21
2005/0150074	A1	*	7/2005	Diehl et al.	15/327.5
2008/0047092	A1	*	2/2008	Schnittman et al.	15/319
2009/0038089	A1	*	2/2009	Landry et al.	15/3

* cited by examiner

Primary Examiner—Ruth McInroy

(74) *Attorney, Agent, or Firm*—Ladas and Parry LLP

(57) **CLAIM**

We claim the ornamental design for a radio beacon for robot vacuum cleaner, as shown and described.

DESCRIPTION

FIG. 1 is a top, front and right-side perspective view of a radio beacon for robot vacuum cleaner showing our new design;

FIG. 2 is a front elevational view thereof;

FIG. 3 is a rear elevational view thereof;

FIG. 4 is a left-side elevational view thereof;

FIG. 5 is a right-side elevational view thereof;

FIG. 6 is a top plan view thereof; and,

FIG. 7 is a bottom plan view thereof.

1 Claim, 4 Drawing Sheets

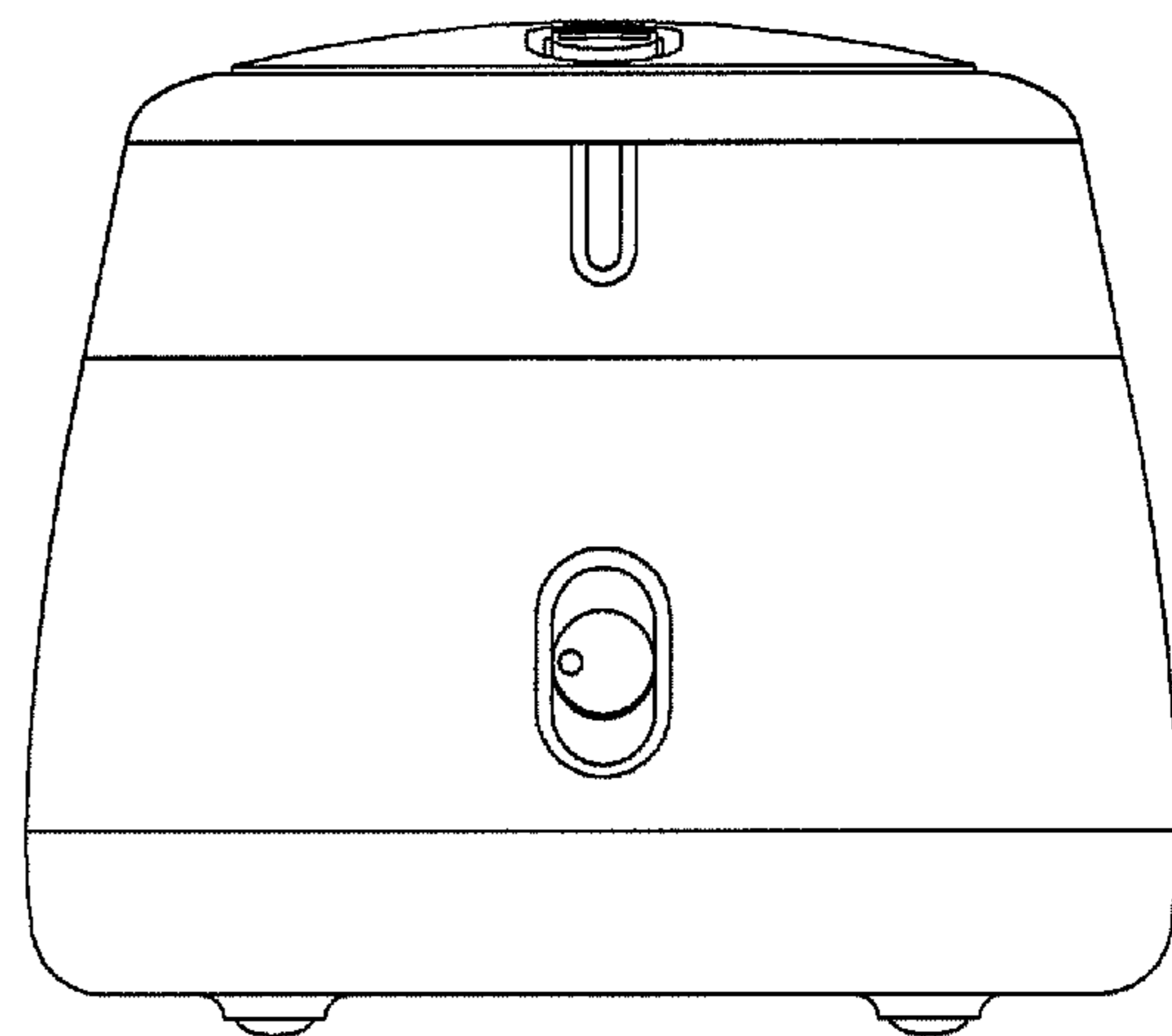
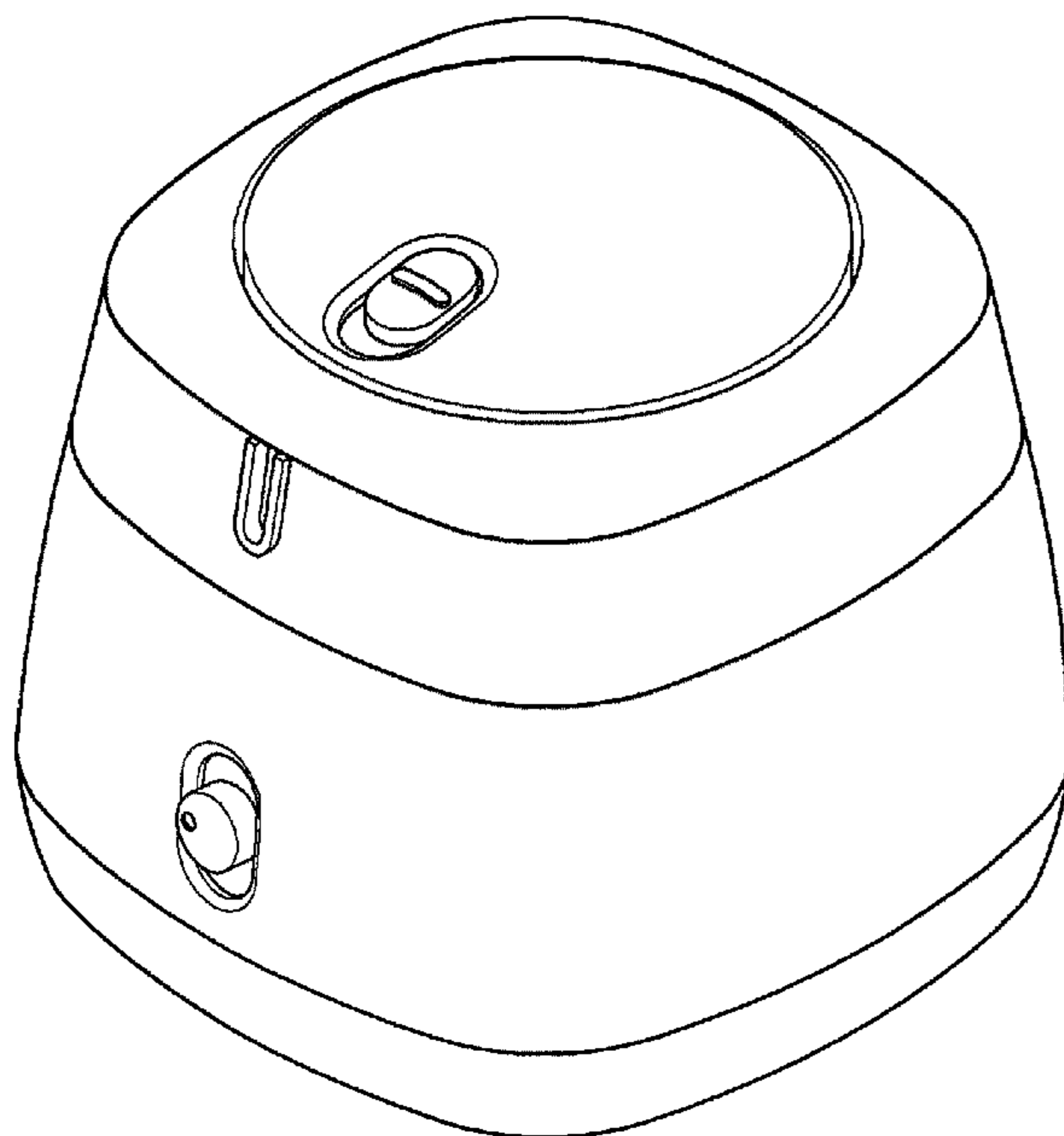


FIG. 1

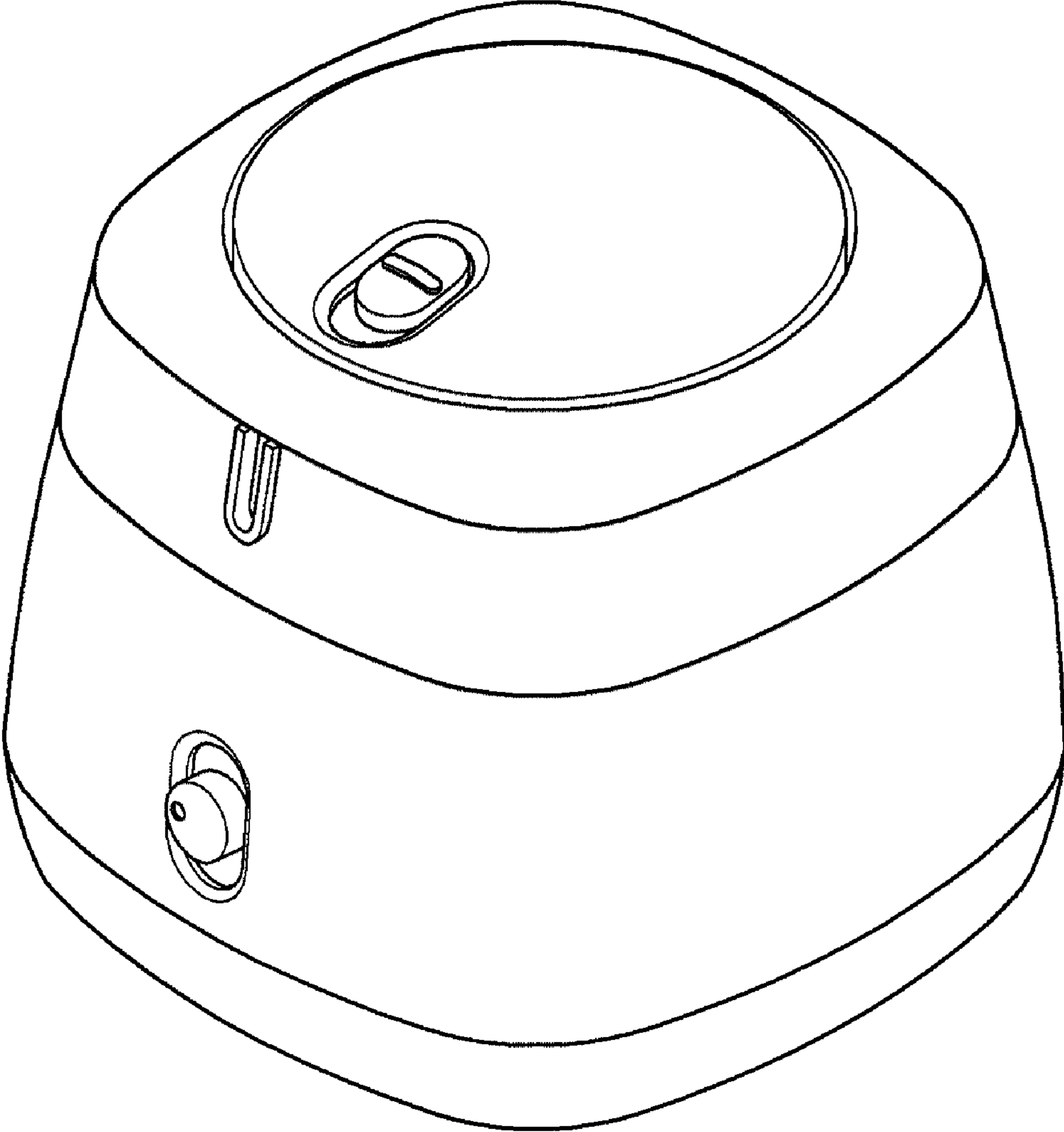


FIG. 2

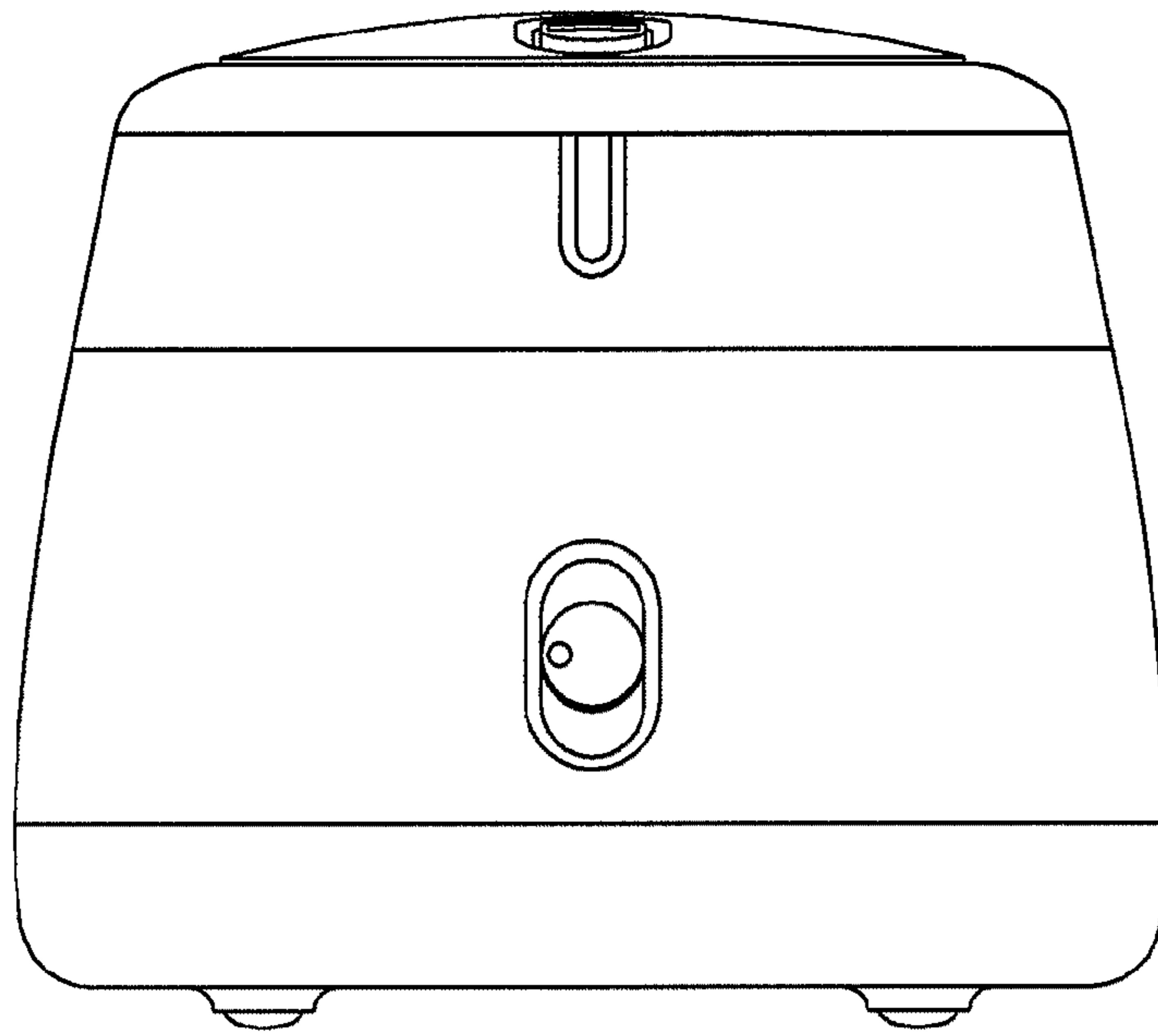


FIG. 3

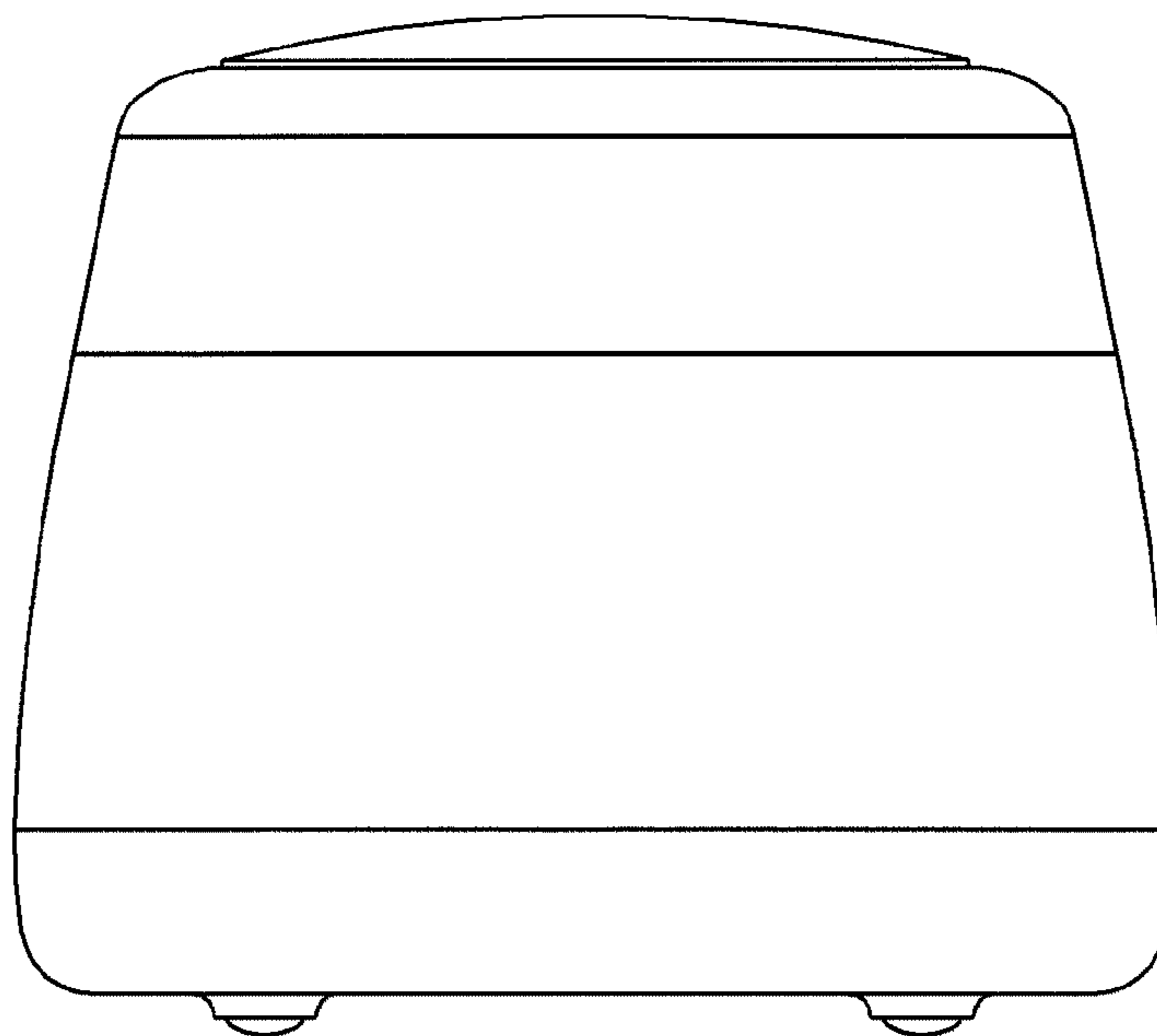


FIG. 4

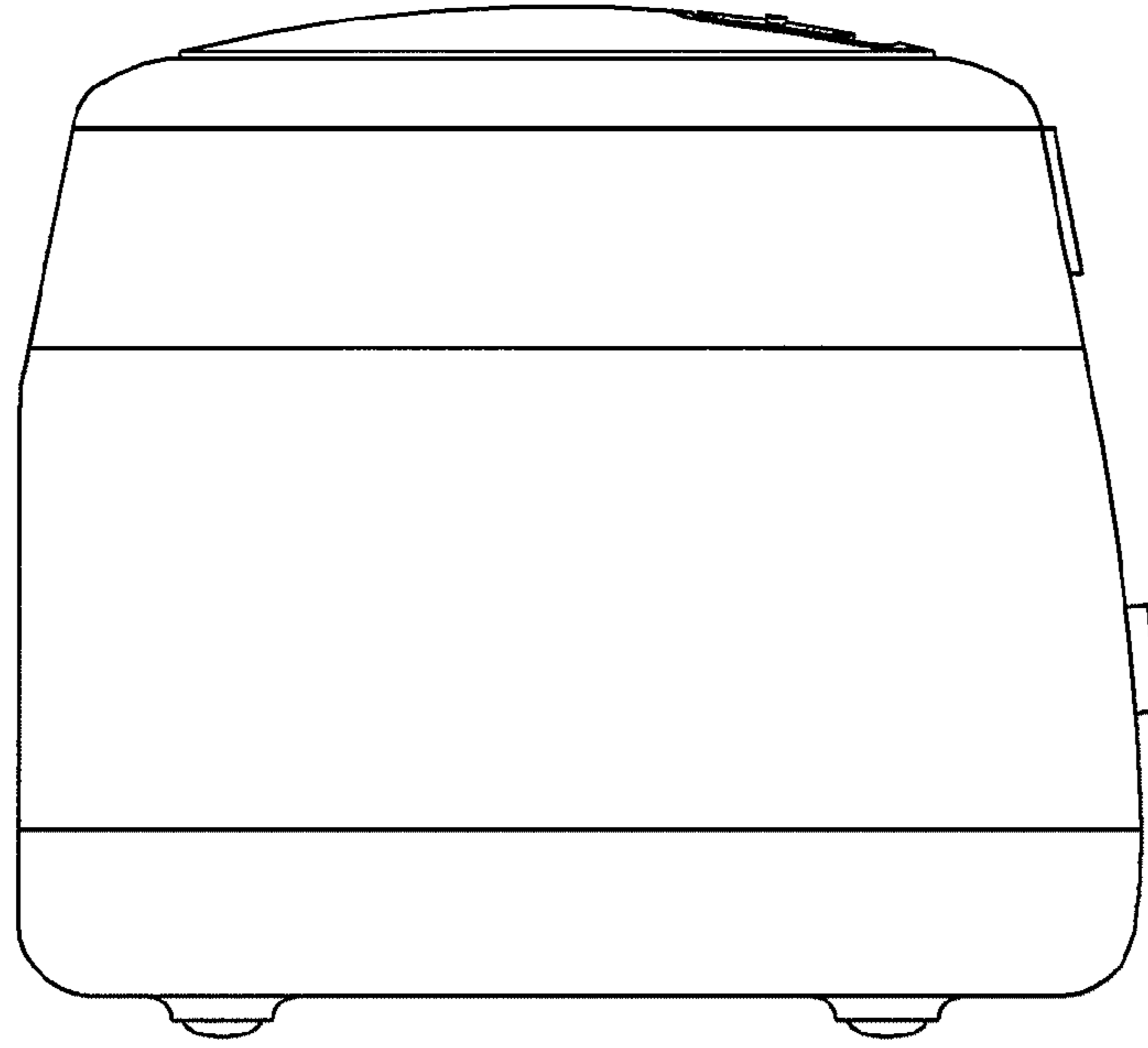


FIG. 5

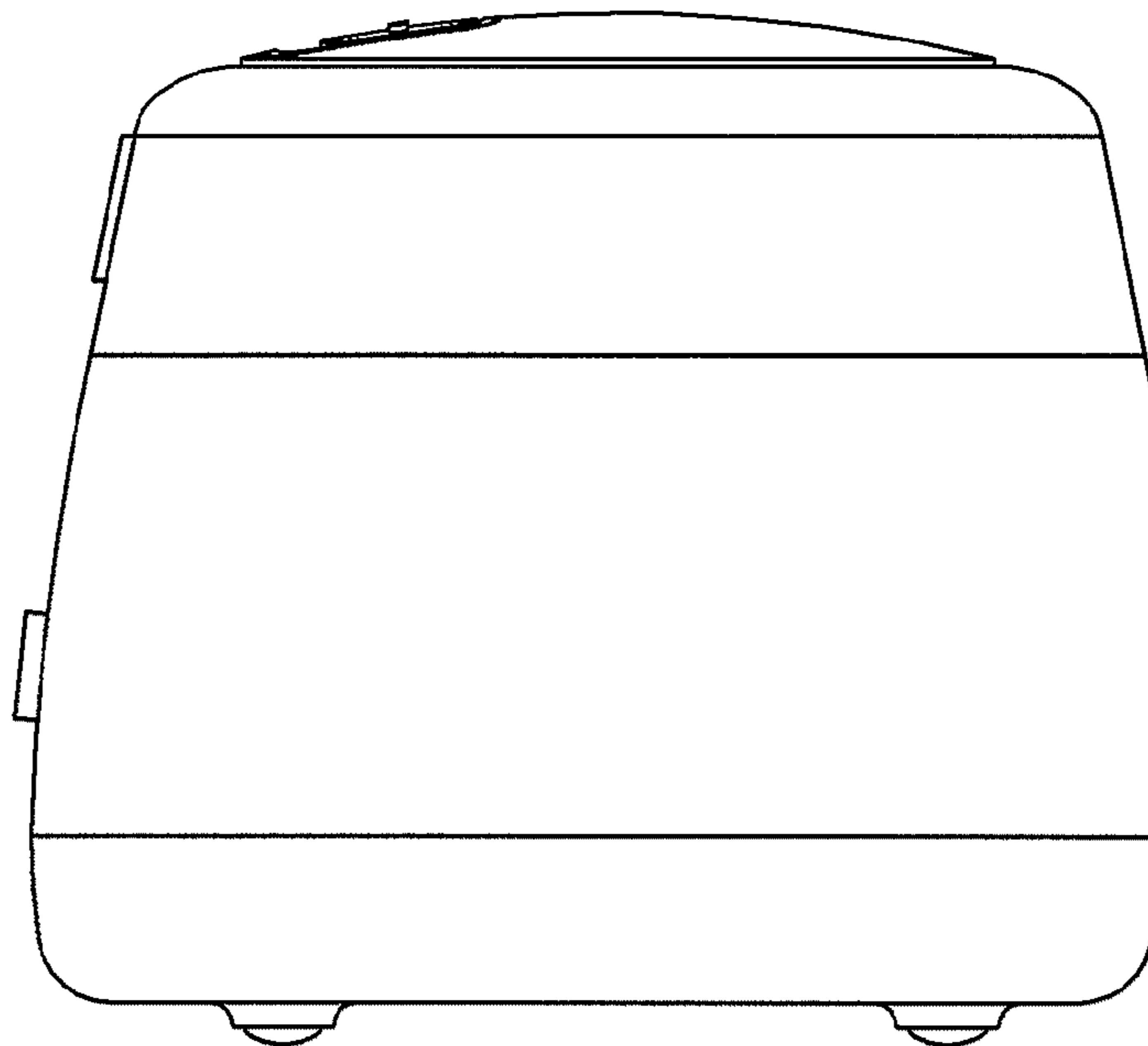


FIG. 6

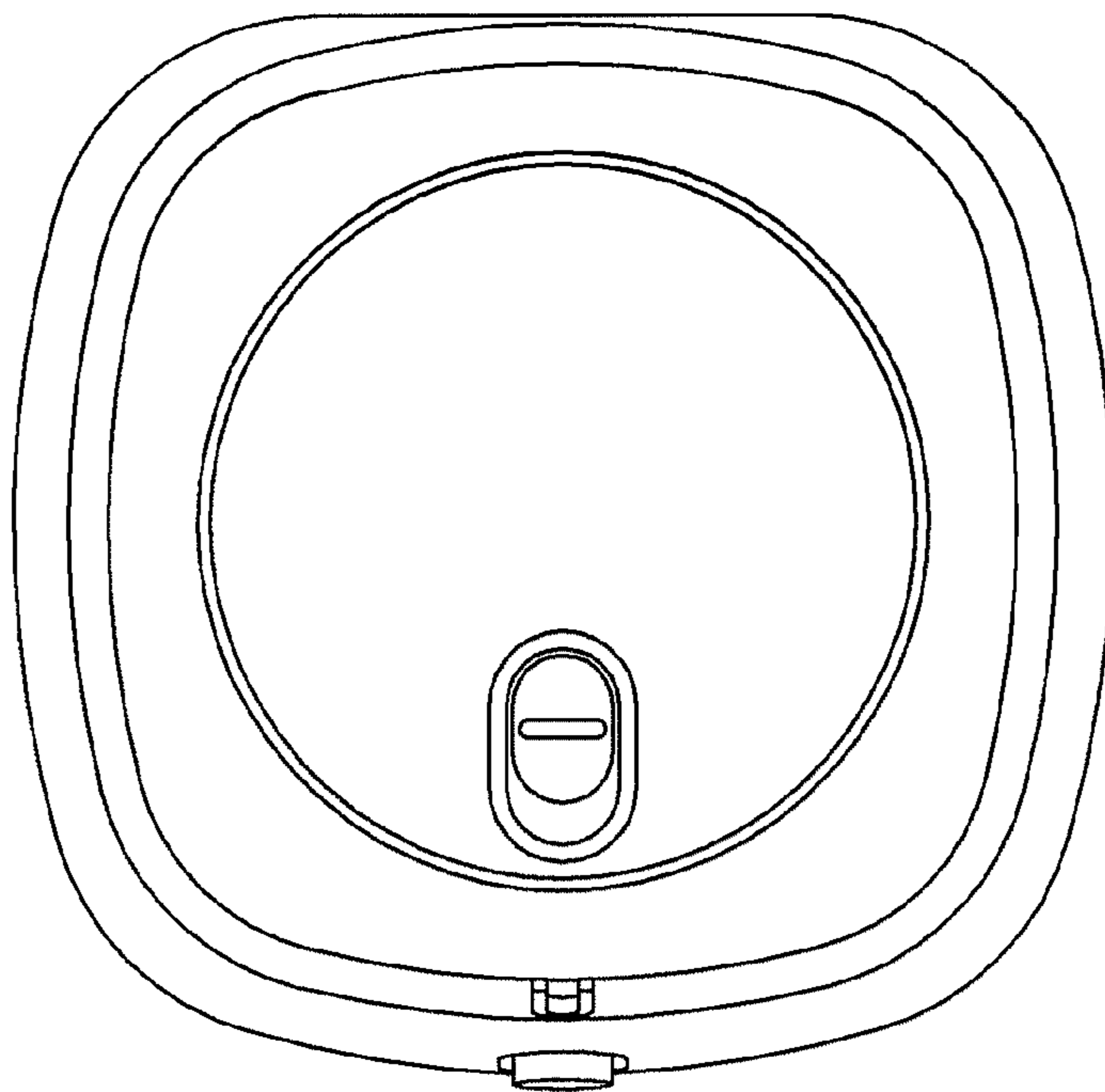


FIG. 7

