



US00D617964S

(12) **United States Design Patent**
Ayers

(10) **Patent No.:** **US D617,964 S**
(45) **Date of Patent:** **** Jun. 15, 2010**

(54) **CANISTER FOR VACUUM CLEANER**

(75) Inventor: **Kevin B. Ayers**, Danville, KY (US)

(73) Assignee: **Panasonic Corporation of North America**, Secaucus, NJ (US)

(**) Term: **14 Years**

(21) Appl. No.: **29/332,105**

(22) Filed: **Feb. 9, 2009**

(51) **LOC (9) Cl.** **15-05**

(52) **U.S. Cl.** **D32/21**

(58) **Field of Classification Search** D32/17-18,
D32/21, 23-24, 31; 15/327.1, 327.2, 327.4-327.7,
15/344, 353, 320-321, 412
See application file for complete search history.

(56) **References Cited**

U.S. PATENT DOCUMENTS

D338,293 S *	8/1993	Kojima et al.	D32/21
D403,475 S *	12/1998	Mehaffey et al.	D32/21
D417,323 S *	11/1999	Fujita et al.	D32/21
D446,363 S *	8/2001	Sato et al.	D32/21
D460,227 S	7/2002	Leyden	
D461,285 S	8/2002	Hammond	
D485,029 S	1/2004	Brown	
D485,953 S	1/2004	Greene et al.	

D488,272 S	4/2004	Leyden et al.	
D495,455 S *	8/2004	Brown et al.	D32/21
D515,755 S	2/2006	Leyden	
D532,168 S	11/2006	Elrod	
D537,994 S	3/2007	Leyden	
D597,713 S *	8/2009	Brown et al.	D32/21
D599,512 S *	9/2009	Lee et al.	D32/21

* cited by examiner

Primary Examiner—Ruth McInroy

(74) *Attorney, Agent, or Firm*—King & Schickli, PLLC

(57) **CLAIM**

The ornamental design for a canister for vacuum cleaner, as shown and described.

DESCRIPTION

FIG. 1 is a front perspective view of a canister for vacuum cleaner showing my new design;

FIG. 2 is a front elevational view thereof;

FIG. 3 is a left side elevational view thereof;

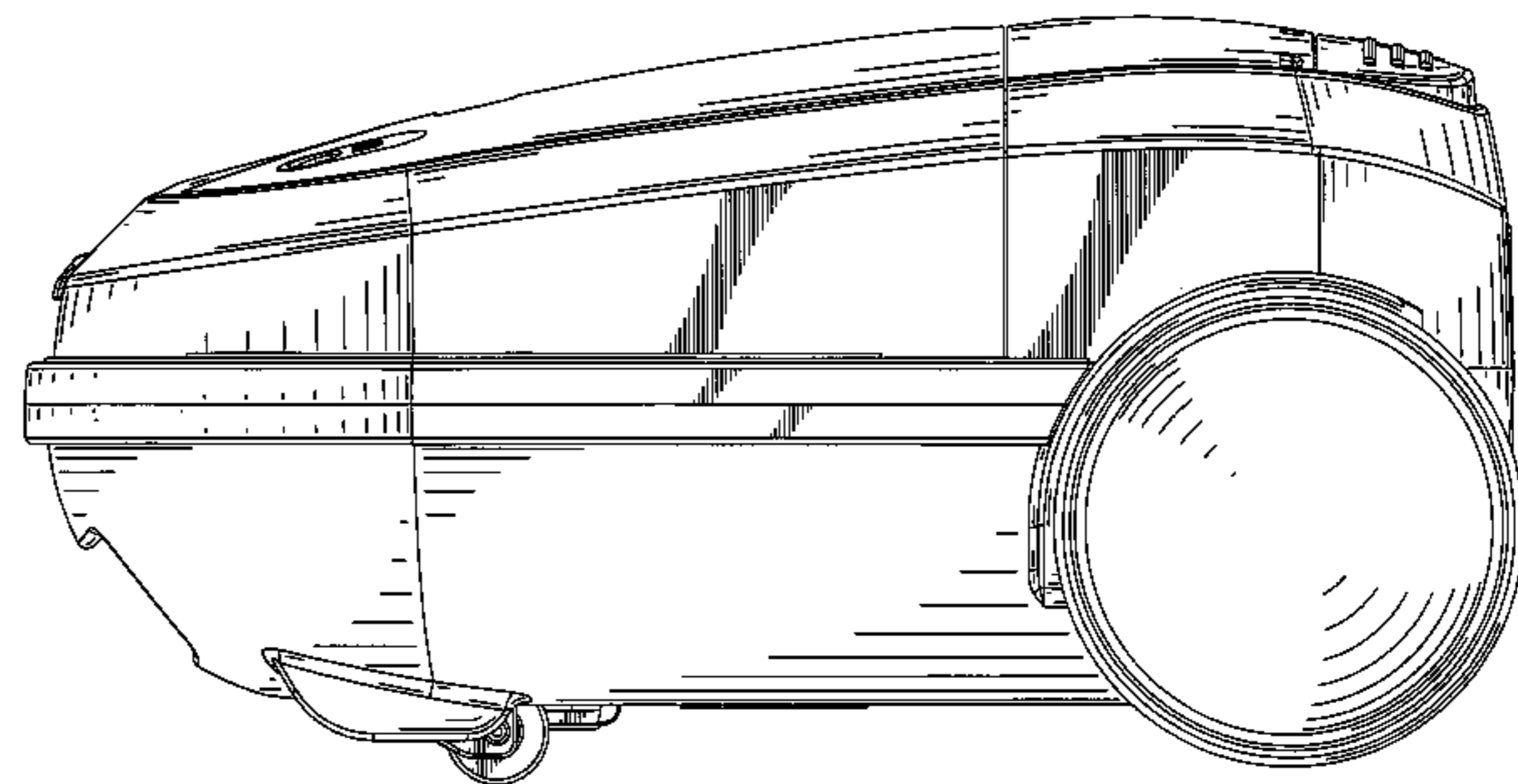
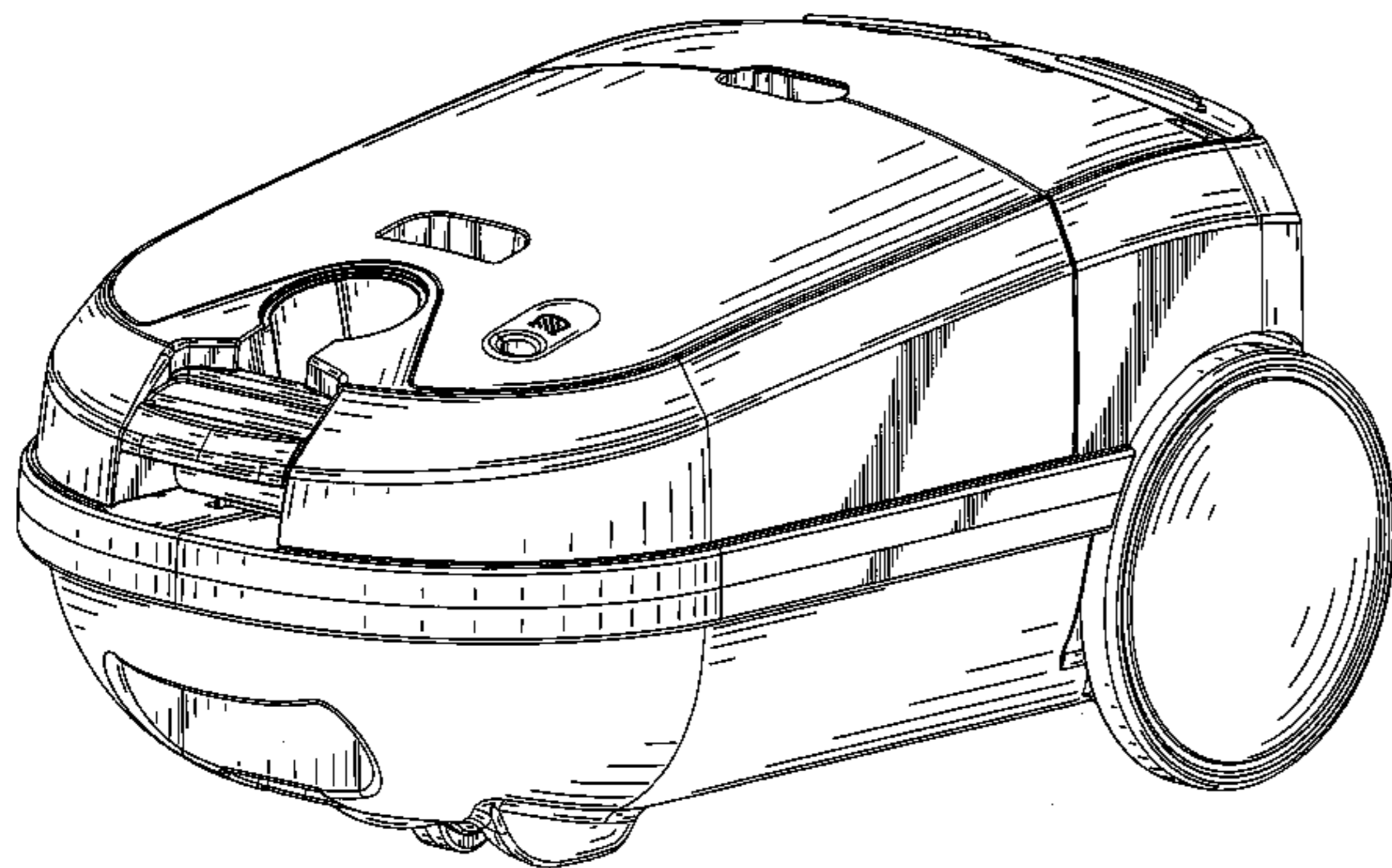
FIG. 4 is a rear elevational view thereof;

FIG. 5 is a right side elevational view thereof; and,

FIG. 6 is a top plan view thereof.

The prongs shown in broken lines in FIG. 4 form no part of the claimed design.

1 Claim, 6 Drawing Sheets



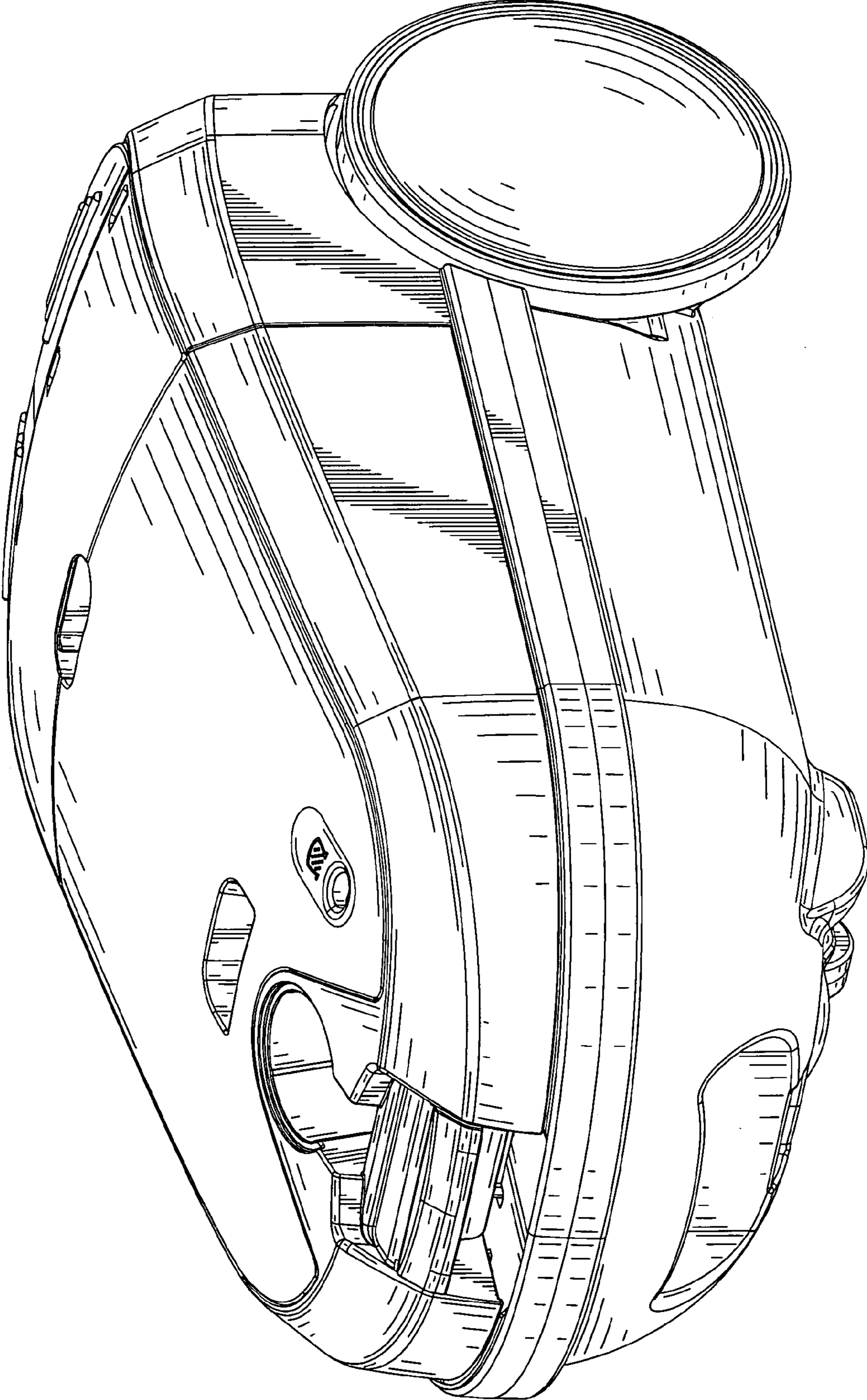


FIG. 1

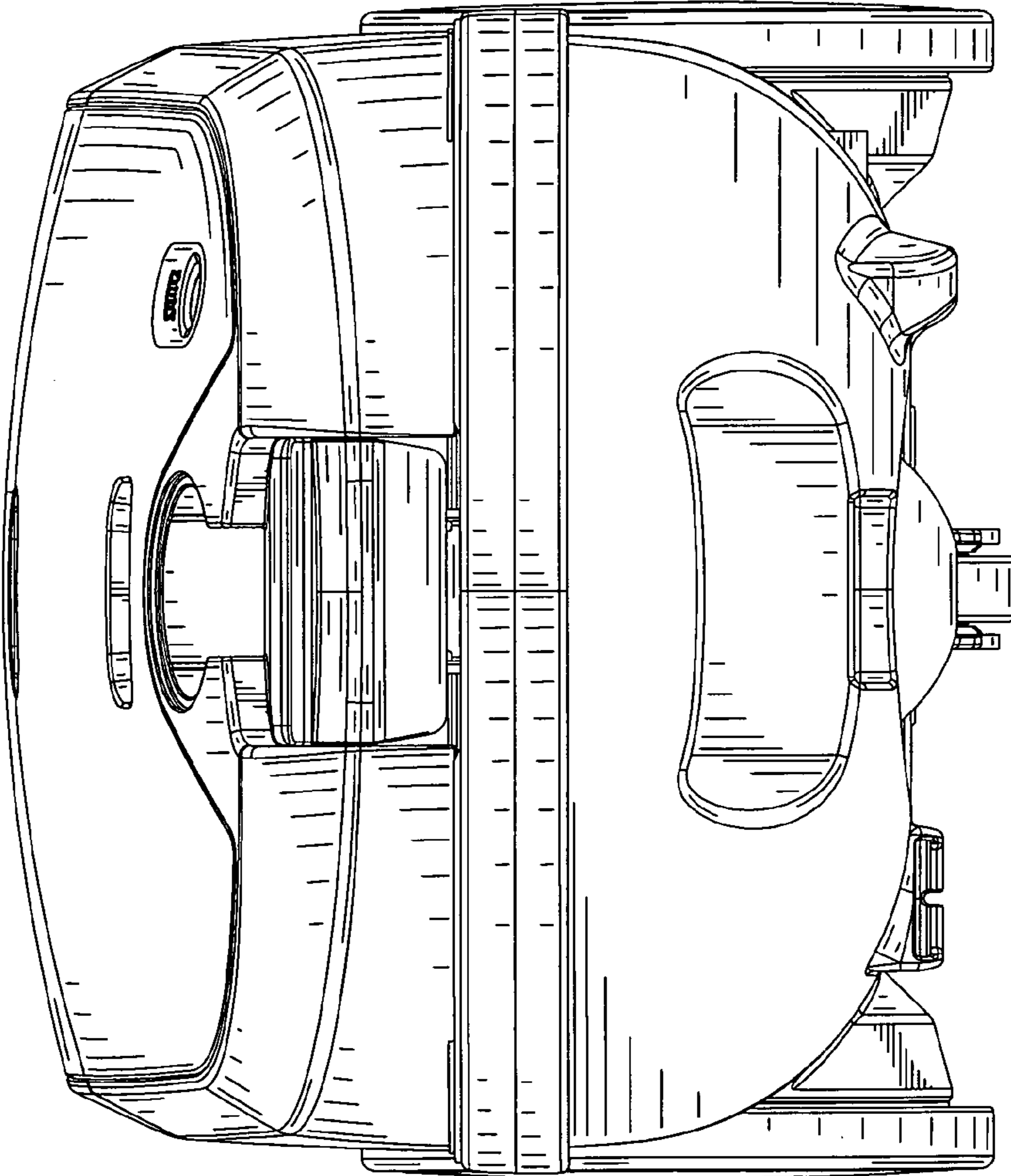


FIG. 2

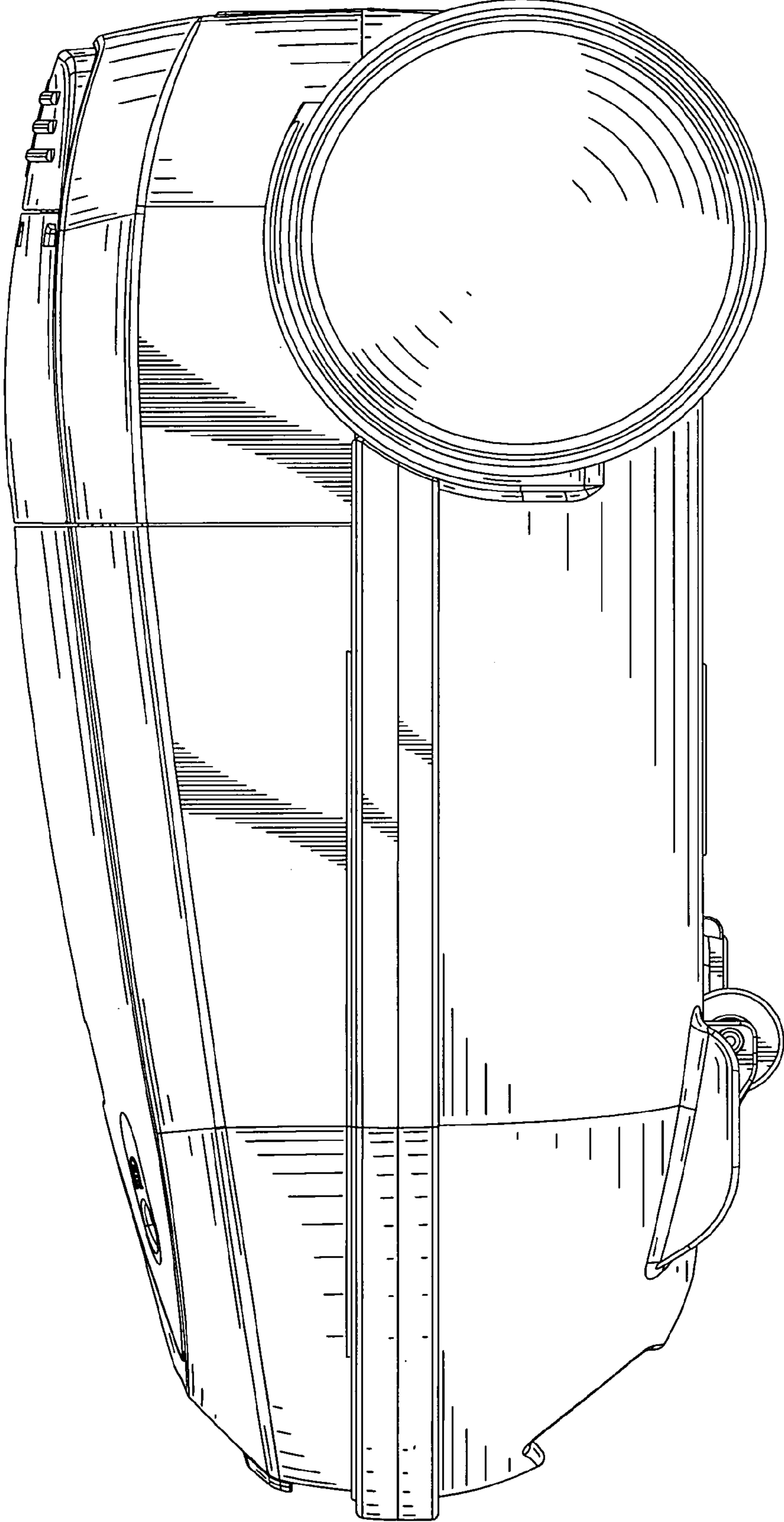


FIG. 3

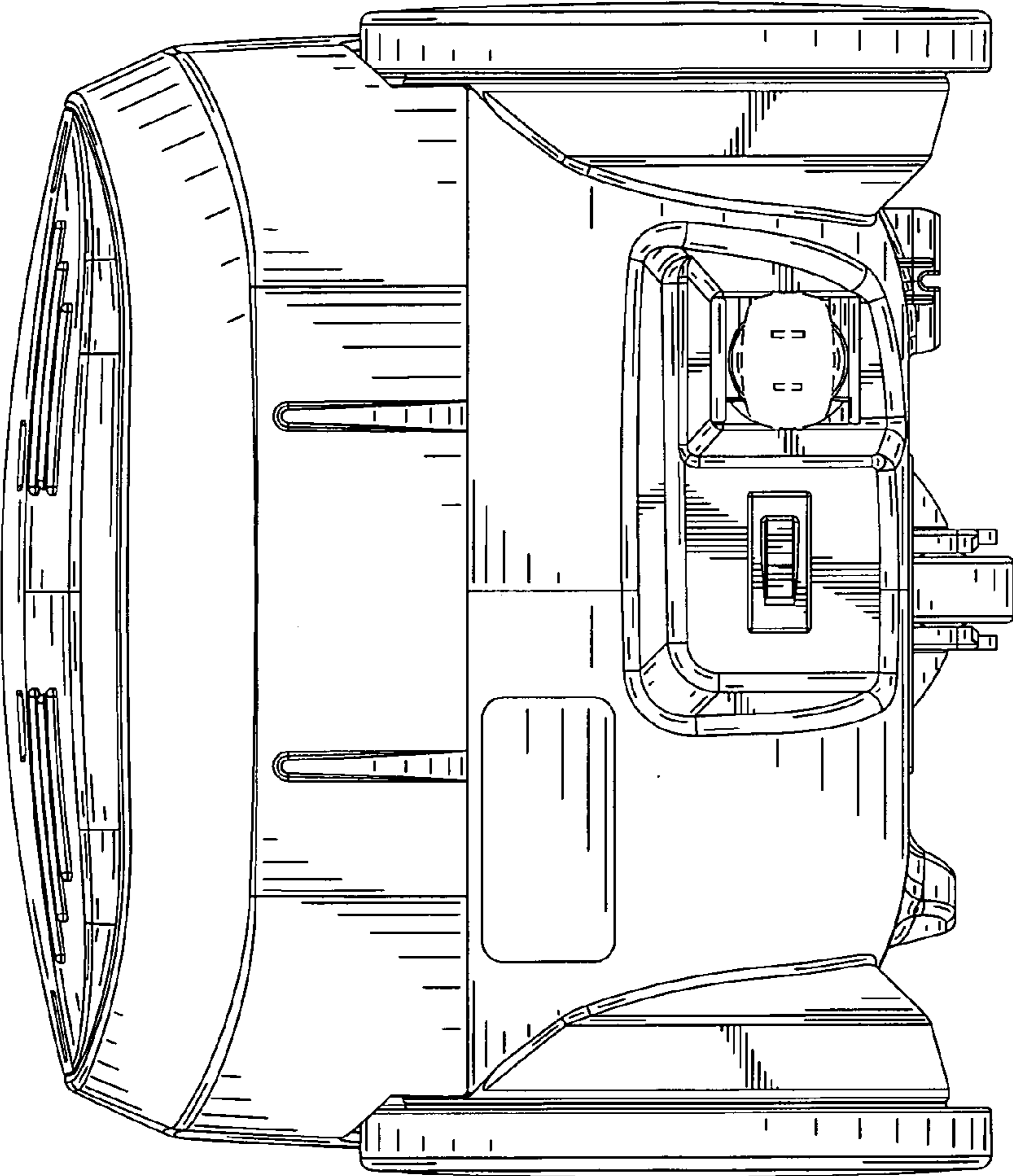


FIG. 4

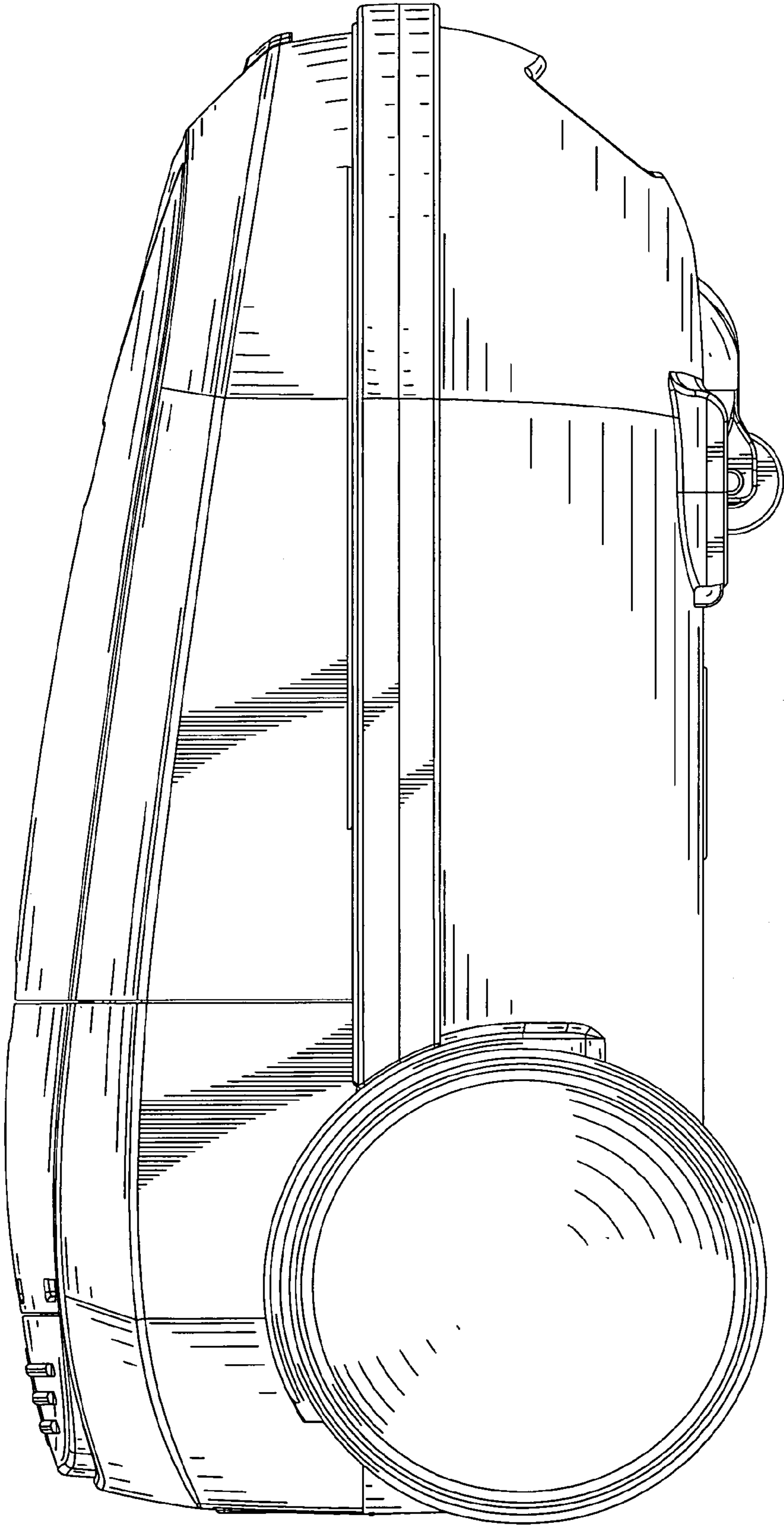


FIG. 5

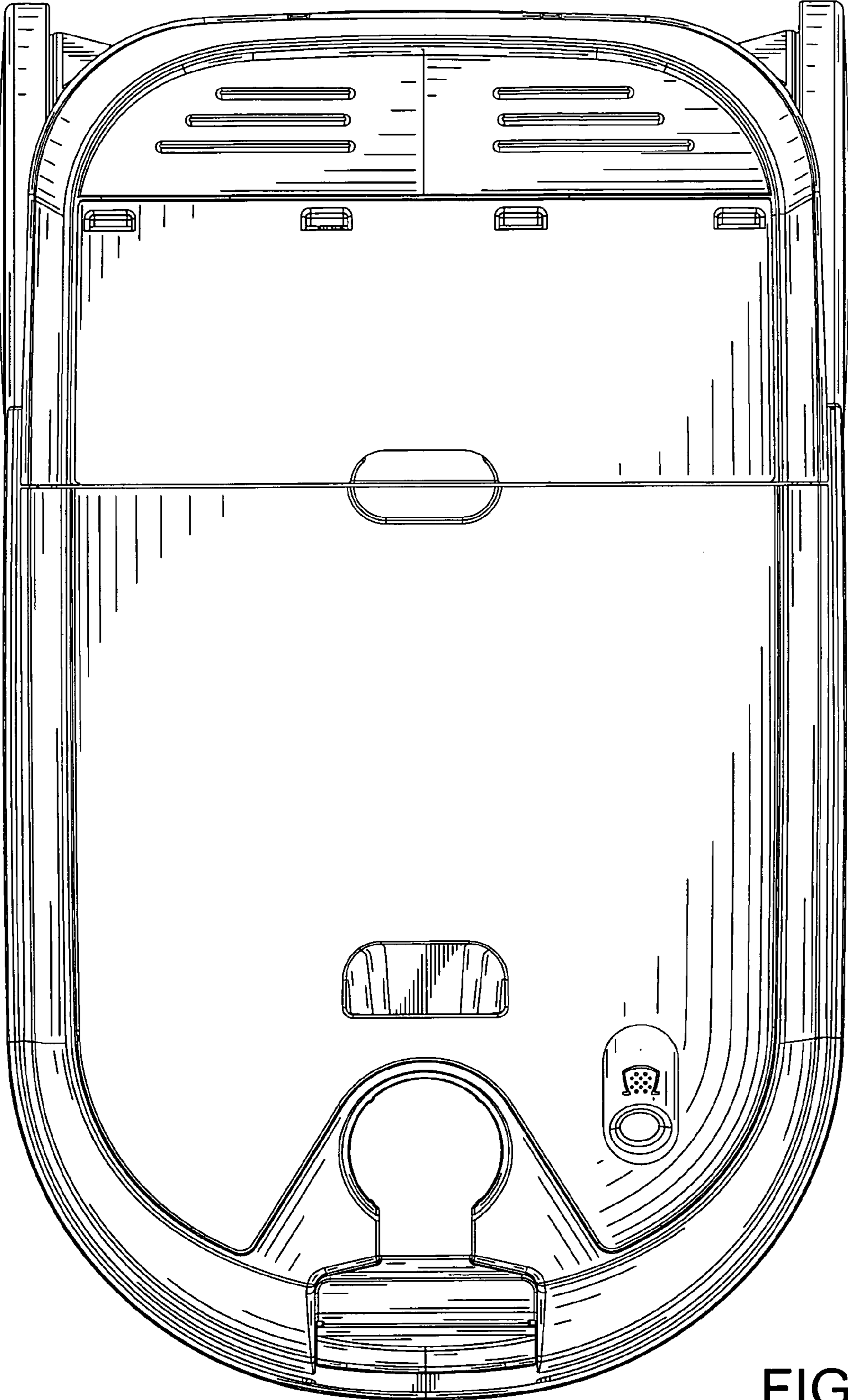


FIG. 6