



US00D617963S

(12) **United States Design Patent**
Ayers

(10) **Patent No.:** **US D617,963 S**
(45) **Date of Patent:** **** Jun. 15, 2010**

(54) **CANISTER VACUUM CLEANER**
(75) Inventor: **Kevin B. Ayers**, Danville, KY (US)
(73) Assignee: **Panasonic Corporation of North America**, Secaucus, NJ (US)
(**) Term: **14 Years**
(21) Appl. No.: **29/332,036**
(22) Filed: **Feb. 6, 2009**

D489,850 S 5/2004 Elrod et al.
D495,455 S * 8/2004 Brown et al. D32/21
D515,755 S 2/2006 Leyden
D532,168 S 11/2006 Elrod
D537,994 S 3/2007 Leyden
D572,421 S * 7/2008 Schroeter D32/21
D597,713 S * 8/2009 Brown et al. D32/21
D606,268 S * 12/2009 Daniels et al. D32/21

* cited by examiner

Primary Examiner—Ruth McInroy
(74) *Attorney, Agent, or Firm*—King & Schickli, PLLC

(51) **LOC (9) Cl.** **15-05**
(52) **U.S. Cl.** **D32/21**
(58) **Field of Classification Search** D32/17–18,
D32/21, 23–24, 31; 15/327, 1, 327.2, 327.4–327.7,
15/344, 353, 320–321, 412
See application file for complete search history.

(57) **CLAIM**

The ornamental design for a canister vacuum cleaner, as shown and described.

DESCRIPTION

FIG. 1 is a front perspective view of a canister vacuum cleaner showing my new design;

FIG. 2 is a front elevational view thereof;

FIG. 3 is a left side elevational view thereof;

FIG. 4 is a rear elevational view thereof;

FIG. 5 is a right side elevational view thereof; and,

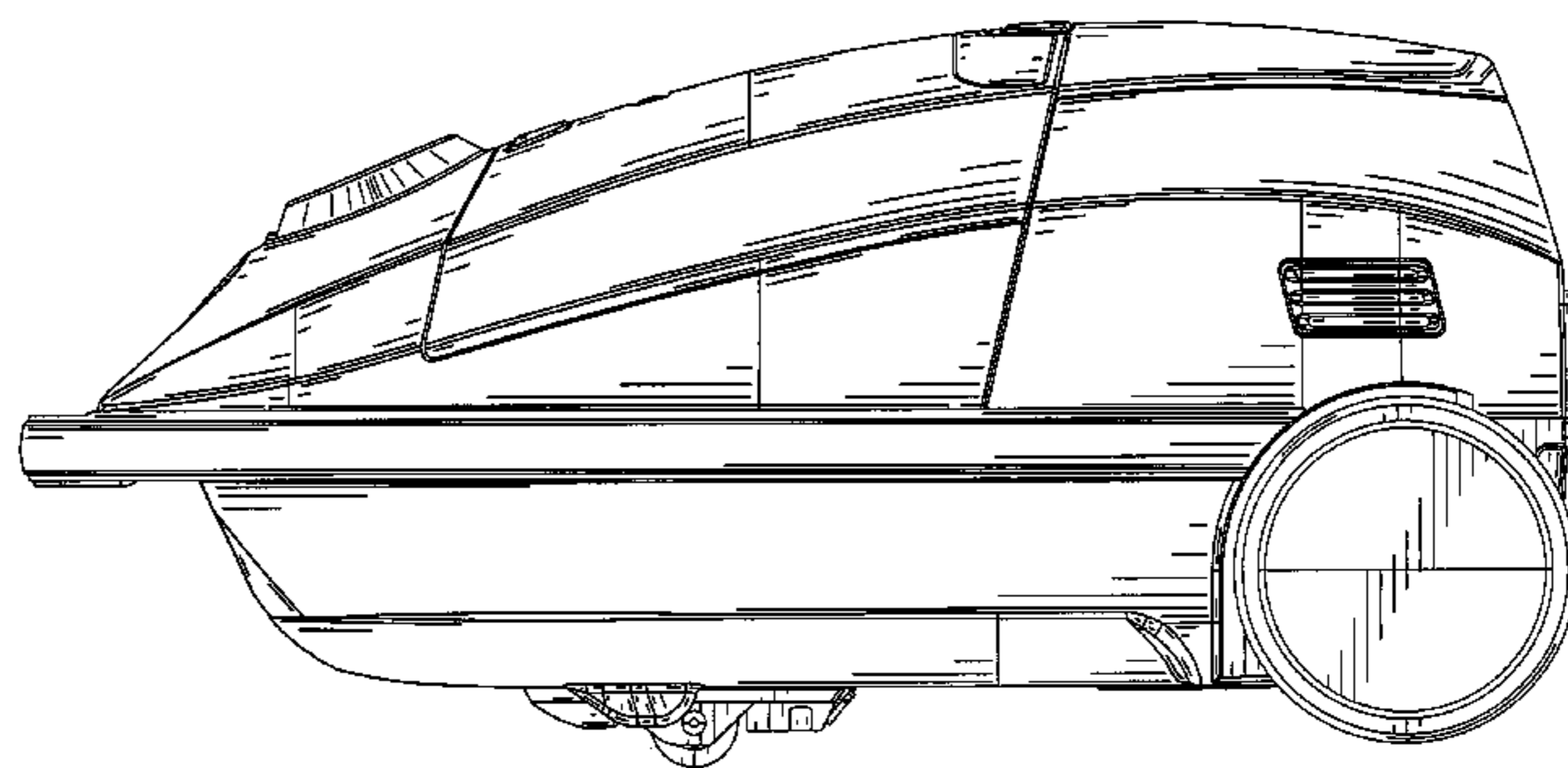
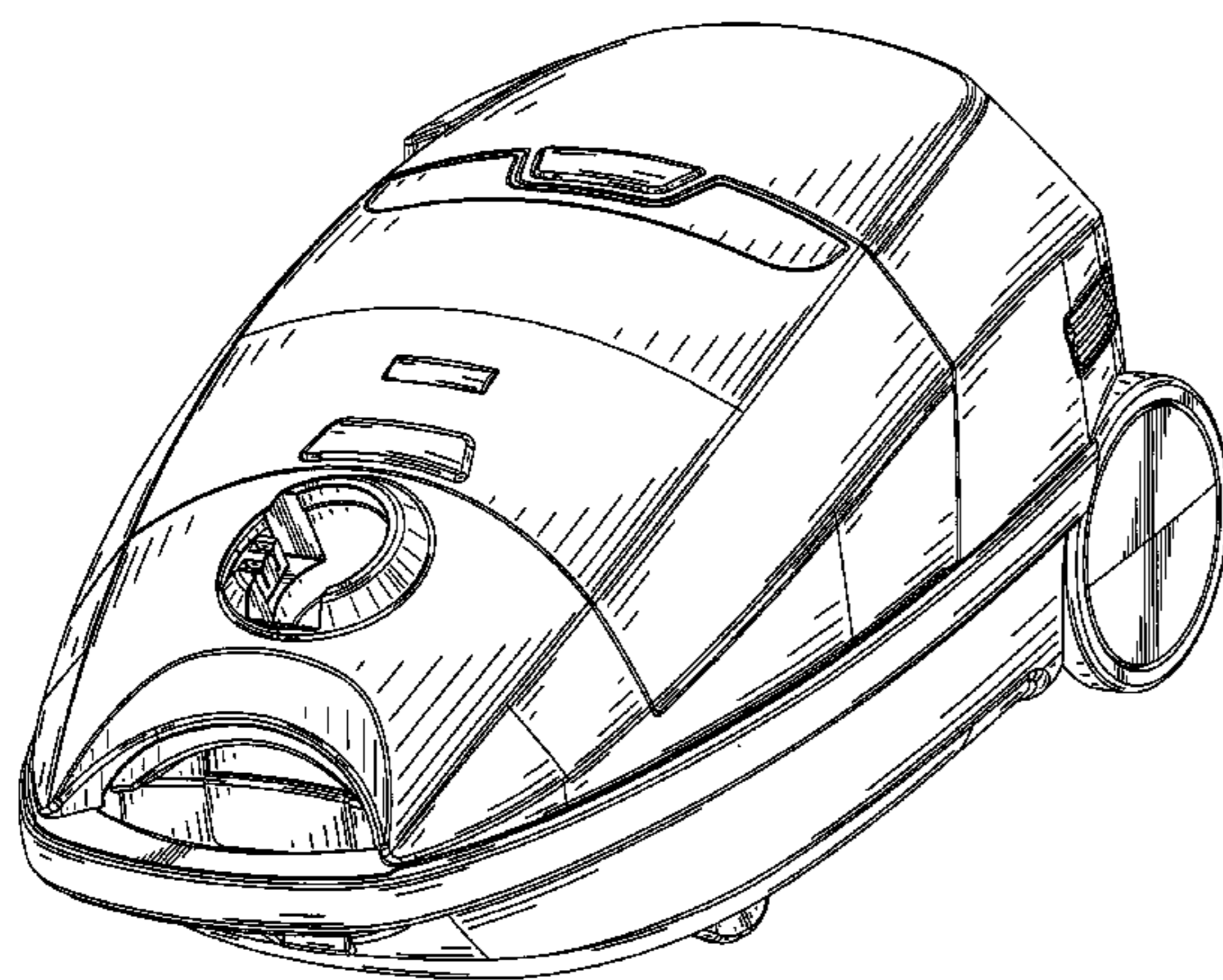
FIG. 6 is a top plan view thereof.

The broken lines in the Figures are for illustrative purposes only and form no part of the claimed design.

1 Claim, 6 Drawing Sheets

(56) **References Cited**
U.S. PATENT DOCUMENTS

D403,475 S * 12/1998 Mehaffey et al. D32/21
D417,323 S * 11/1999 Fujita et al. D32/21
D446,363 S * 8/2001 Sato et al. D32/21
D460,227 S 7/2002 Leyden
D461,285 S 8/2002 Hammond
D485,026 S 1/2004 Brown
D485,029 S 1/2004 Brown
D485,953 S 1/2004 Greene et al.
D488,272 S 4/2004 Leyden et al.
D488,274 S 4/2004 Leyden et al.



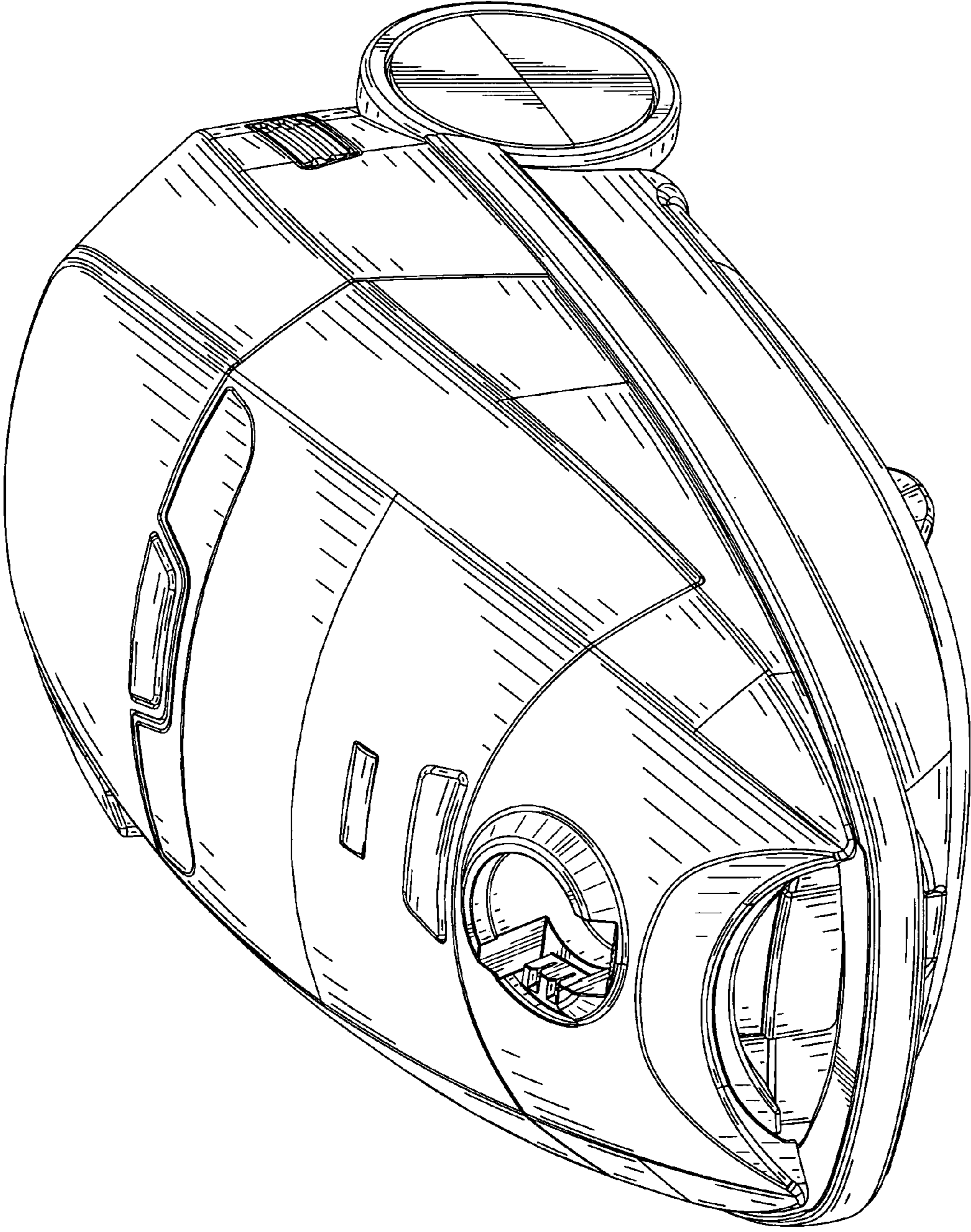


FIG. 1

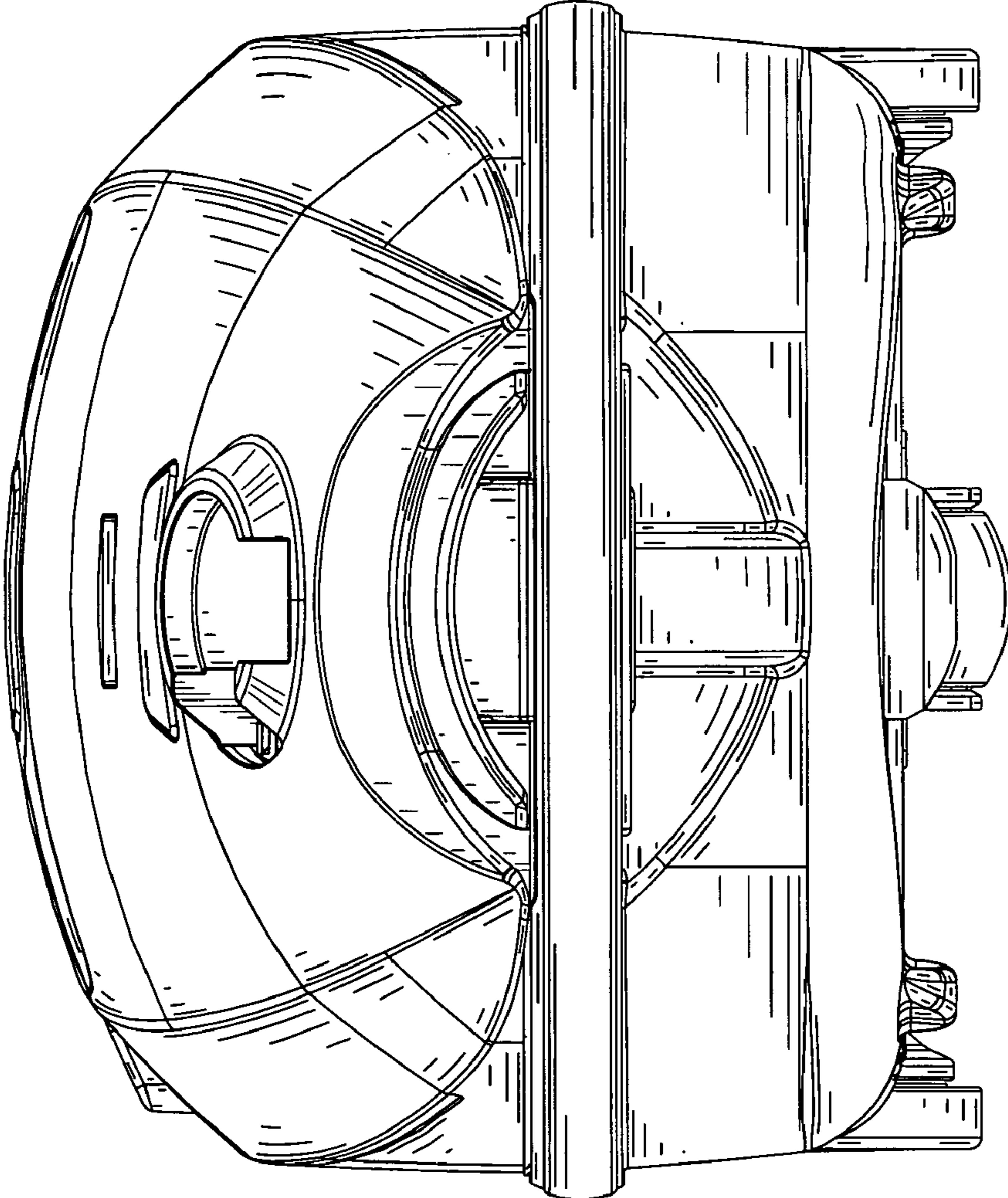


FIG. 2

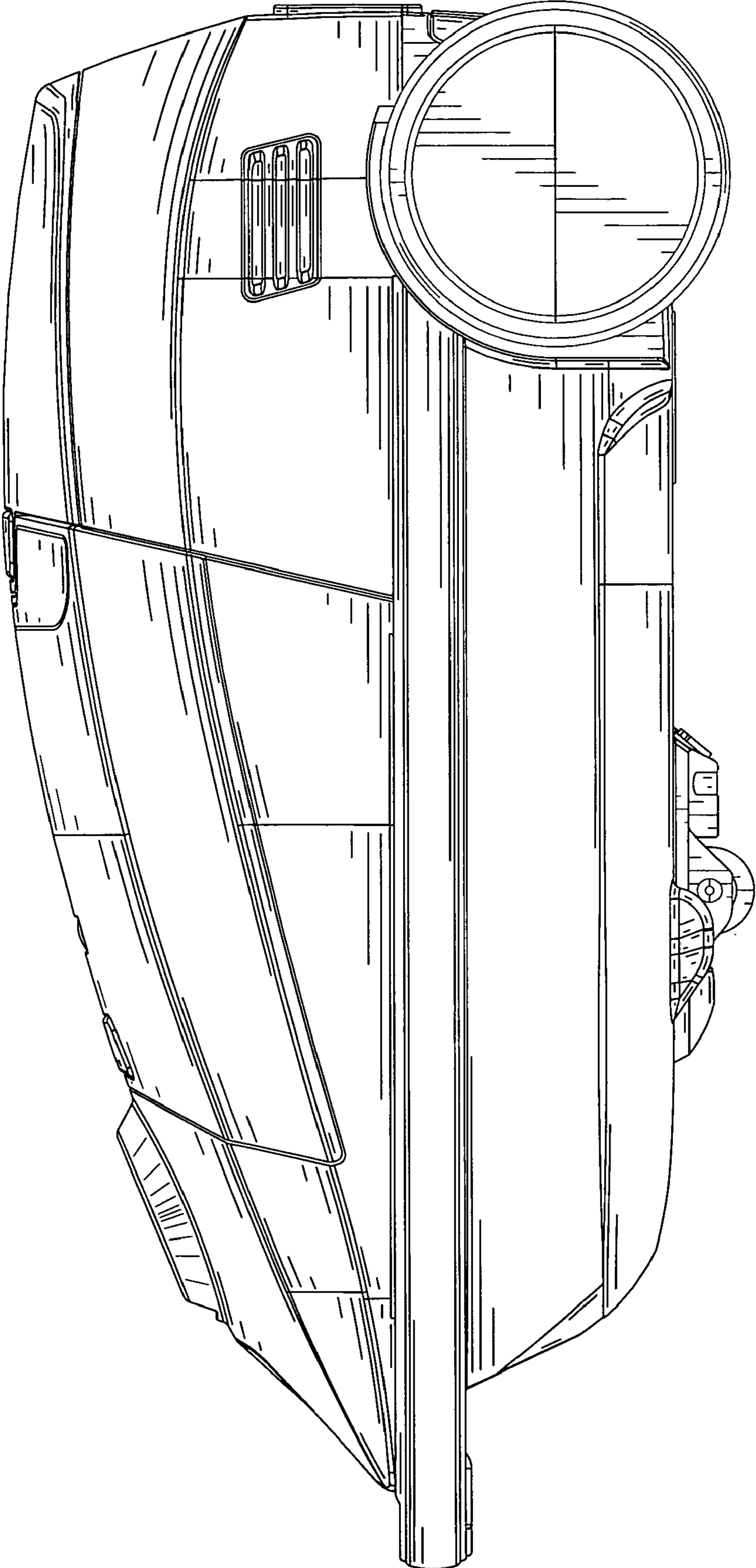


FIG. 3

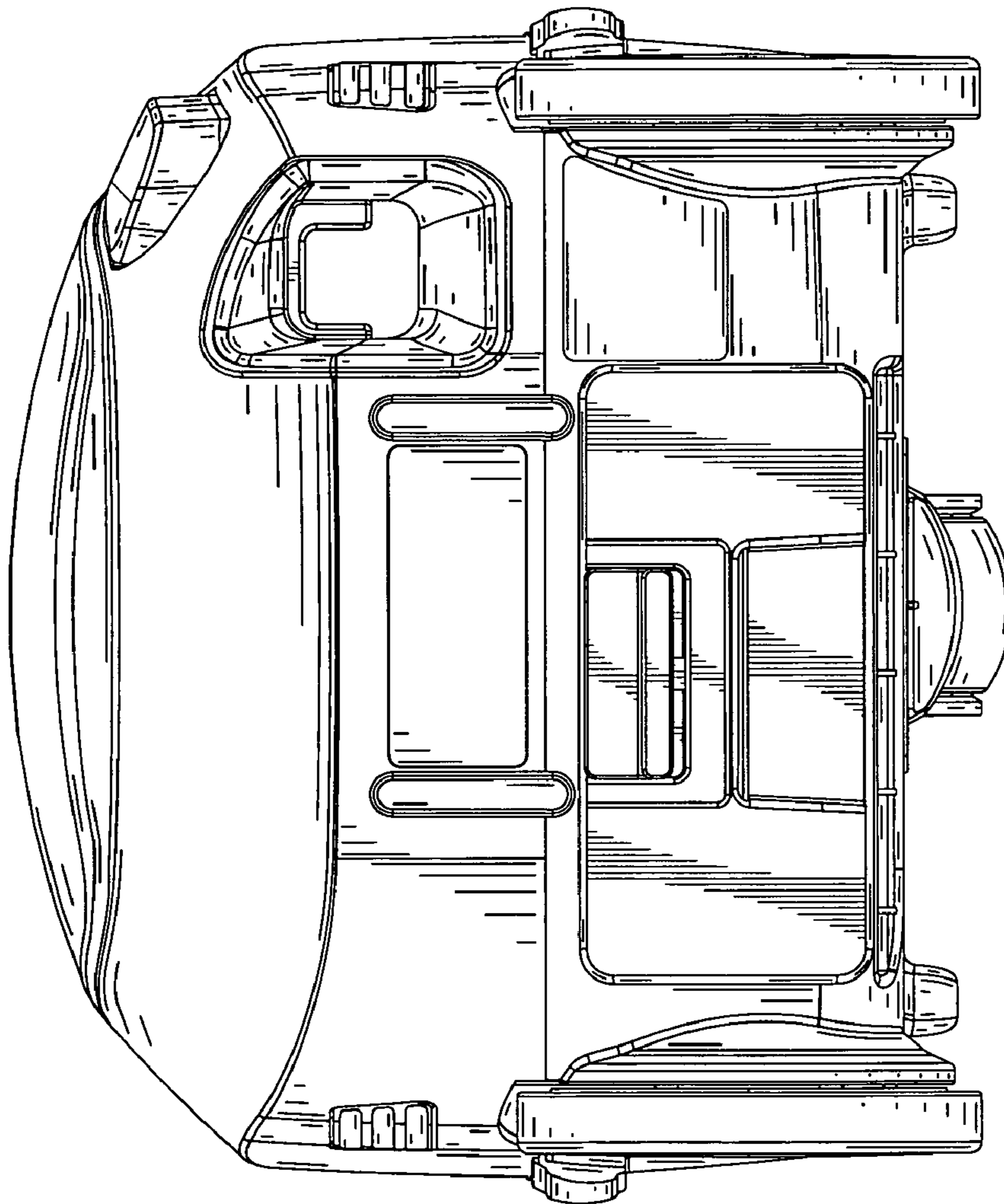


FIG. 4

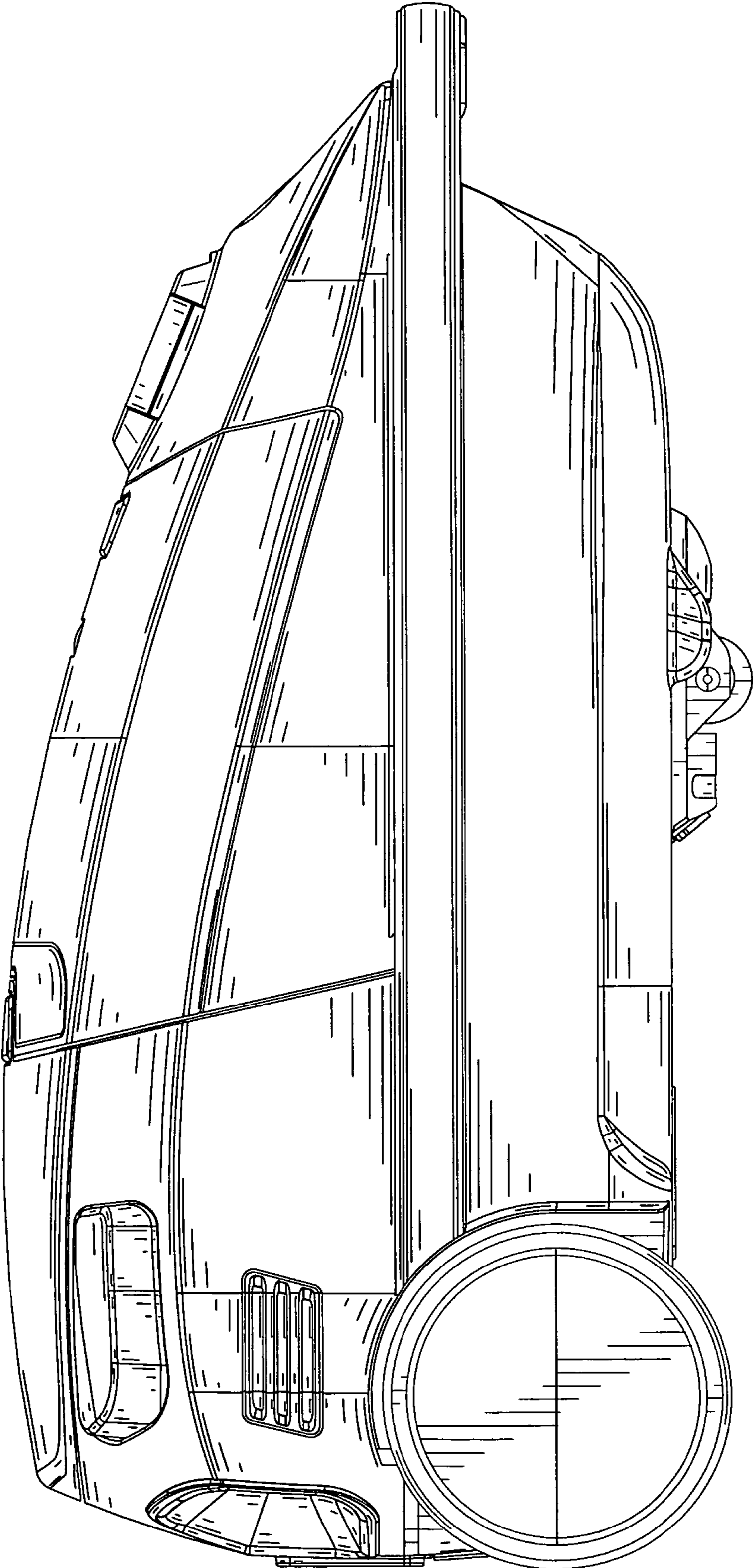


FIG. 5

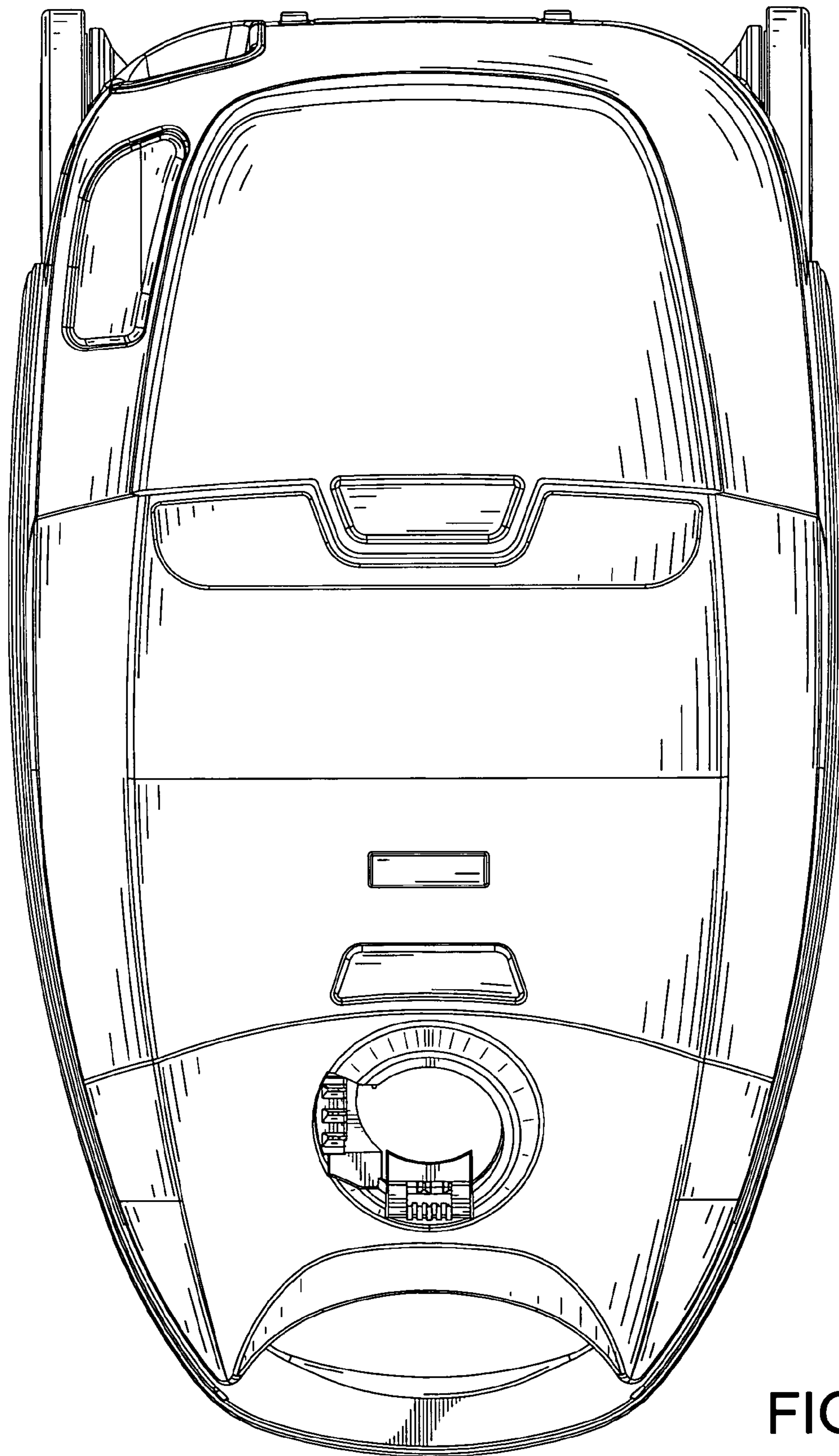


FIG. 6