



US00D617958S

(12) **United States Design Patent**  
**Benincasa et al.**

(10) **Patent No.:** **US D617,958 S**  
(45) **Date of Patent:** **\*\* Jun. 15, 2010**

(54) **WALL FOR BEEHIVE**  
(76) Inventors: **Michael S. Benincasa**, 10352 Horseshoe Bend Rd., Sonora, CA (US) 95370;  
**David K. Buckman**, 14820 Lakeside Dr., Sonora, CA (US) 95370

(\*\*) Term: **14 Years**  
(21) Appl. No.: **29/329,511**  
(22) Filed: **Dec. 16, 2008**

(51) **LOC (9) Cl.** ..... **30-02**  
(52) **U.S. Cl.** ..... **D30/108; D30/199**  
(58) **Field of Classification Search** ..... D30/199, D30/108-113, 117; 119/508, 500, 501, 498, 119/482, 161, 481, 483, 475, 484, 246, 165, 119/453, 452, 248, 269, 201, 502; 449/30, 449/1, 12, 2, 20, 25, 19, 27, 7, 28, 21, 8, 449/6, 23, 24, 26, 31, 13, 37, 60, 14, 11, 449/42-44; D9/304-316, 201, 273, 276, D9/283-286, 318, 319, 755, 781, 770; 312/263; 43/54.1, 55, 56; 217/54, 43 R; 294/158; 428/118, 116, 698; 220/560, 216, 4.28, 786, 220/847, 675, 676, 1.5, 6, 4.29, DIG. 12-DIG. 15, 220/DIG. 2; 206/503, 203, 512, 509; 156/78, 156/89.27, 89.22; 521/131; 427/255.11, 427/255.12, 255.19, 900; D7/550.1, 552.1, D7/553.1, 553.2, 553.7, 554.2-554.4, 561, D7/701; D6/525-540; D12/412, 414.1, D12/425; D19/75, 86, 90; 160/DIG. 7; 135/115, 119; 126/908  
See application file for complete search history.

(56) **References Cited**  
U.S. PATENT DOCUMENTS  
200,549 A \* 2/1878 Lawther ..... 449/44  
406,972 A \* 7/1889 Tinker ..... 449/8  
874,579 A \* 12/1907 Eckman ..... 449/21  
1,393,757 A \* 10/1921 Crease ..... 449/27  
1,468,995 A \* 9/1923 Cottam ..... 449/25  
1,482,468 A \* 2/1924 Hershisher ..... 449/28  
1,556,254 A \* 10/1925 Short ..... 449/28

1,652,539 A \* 12/1927 Marks ..... 449/28  
1,773,221 A \* 8/1930 Davis ..... 449/42  
1,820,500 A \* 8/1931 Sanders ..... 449/42  
1,889,184 A \* 11/1932 Siemers ..... 449/30  
2,023,959 A \* 12/1935 Knox ..... 449/17  
2,300,772 A \* 11/1942 Borland ..... 449/36  
2,331,231 A \* 10/1943 Root et al. .... 449/44  
2,358,160 A \* 9/1944 Haack ..... 449/27  
2,449,348 A \* 9/1948 Volgenau et al. .... 449/25  
2,474,382 A \* 6/1949 Smith et al. .... 449/42  
2,522,511 A \* 9/1950 Hageman ..... 449/10  
2,599,141 A \* 6/1952 Taylor ..... 449/12  
2,717,432 A \* 9/1955 Willard ..... 449/42  
3,002,650 A \* 10/1961 Lovell ..... 206/509

(Continued)

*Primary Examiner*—Susan Moon Lee  
(74) *Attorney, Agent, or Firm*—R. Michael West

(57) **CLAIM**

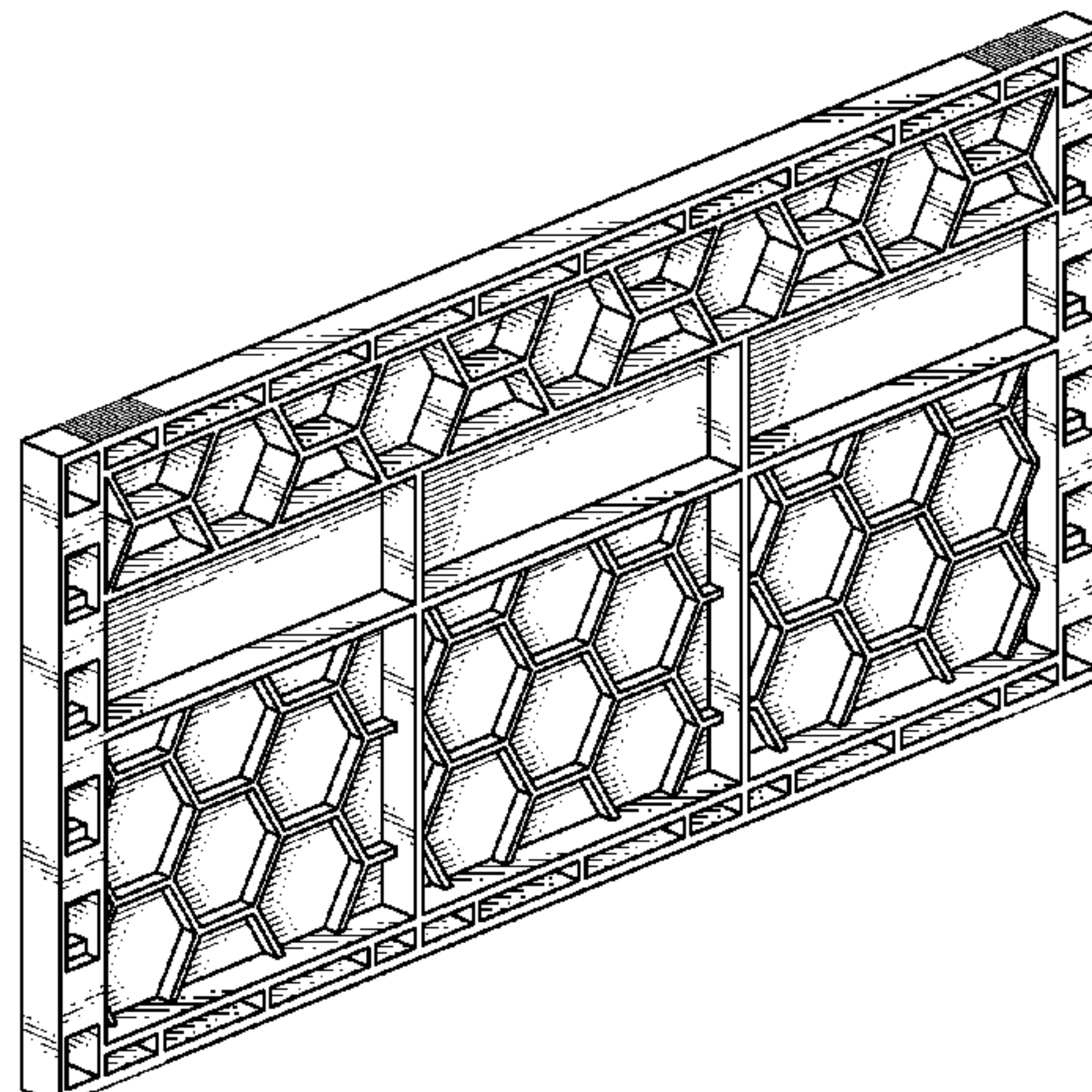
The ornamental design for a wall for beehive, as shown and described.

**DESCRIPTION**

FIG. 1 is a left front perspective of a wall for beehive, showing our new design;  
FIG. 2 is a front elevational view, thereof;  
FIG. 3 is a rear elevational view, thereof;  
FIG. 4 is a top plan view, the bottom plan view being identical thereto;  
FIG. 5 is an end elevational view, thereof, the opposite end elevational view being identical thereto; and,  
FIG. 6 is a perspective view, thereof, the broken line representation of other wall pieces being shown solely for illustrative purposes.

The portions shown in broken line are not claimed.

**1 Claim, 2 Drawing Sheets**



# US D617,958 S

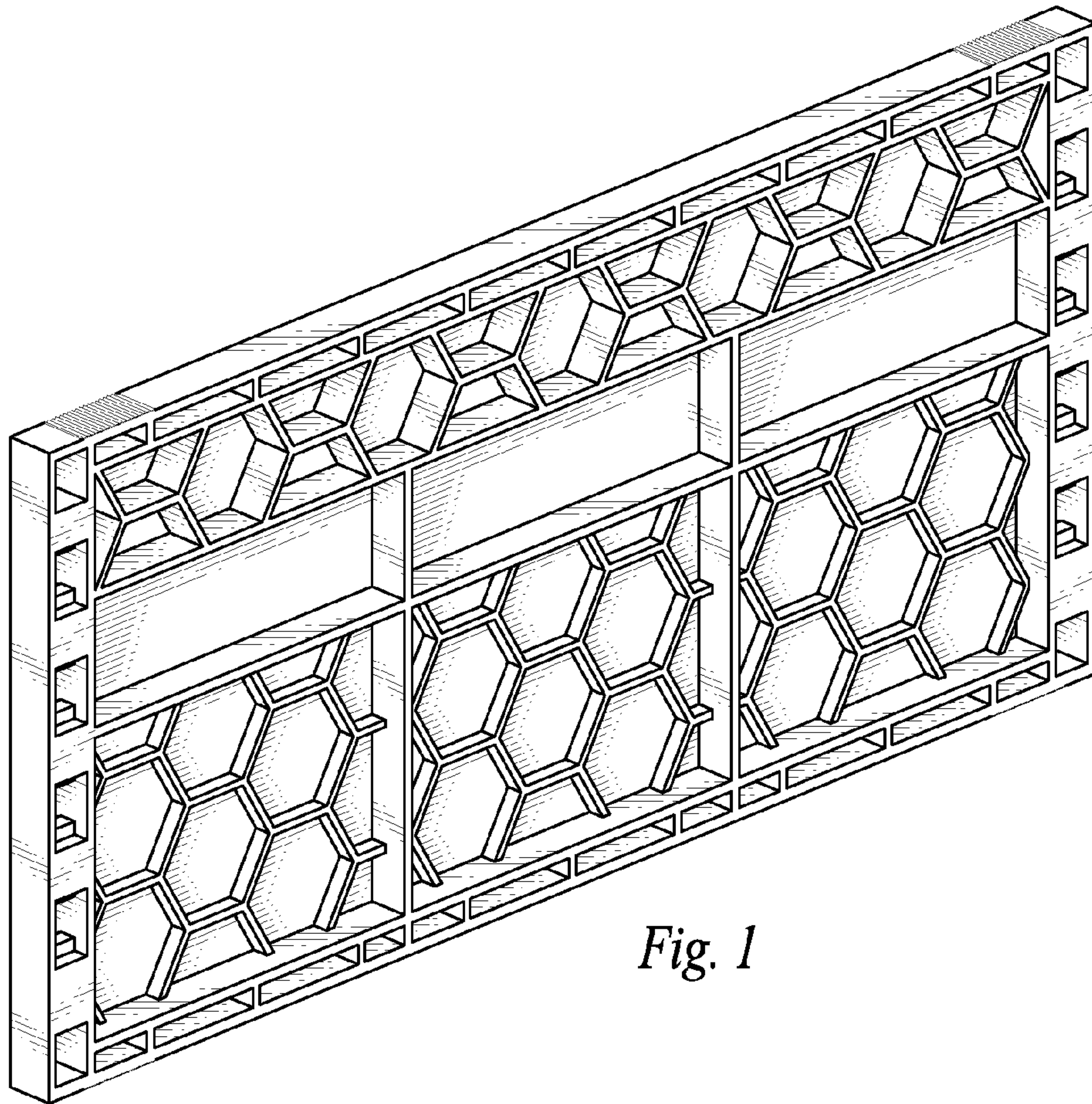
Page 2

## U.S. PATENT DOCUMENTS

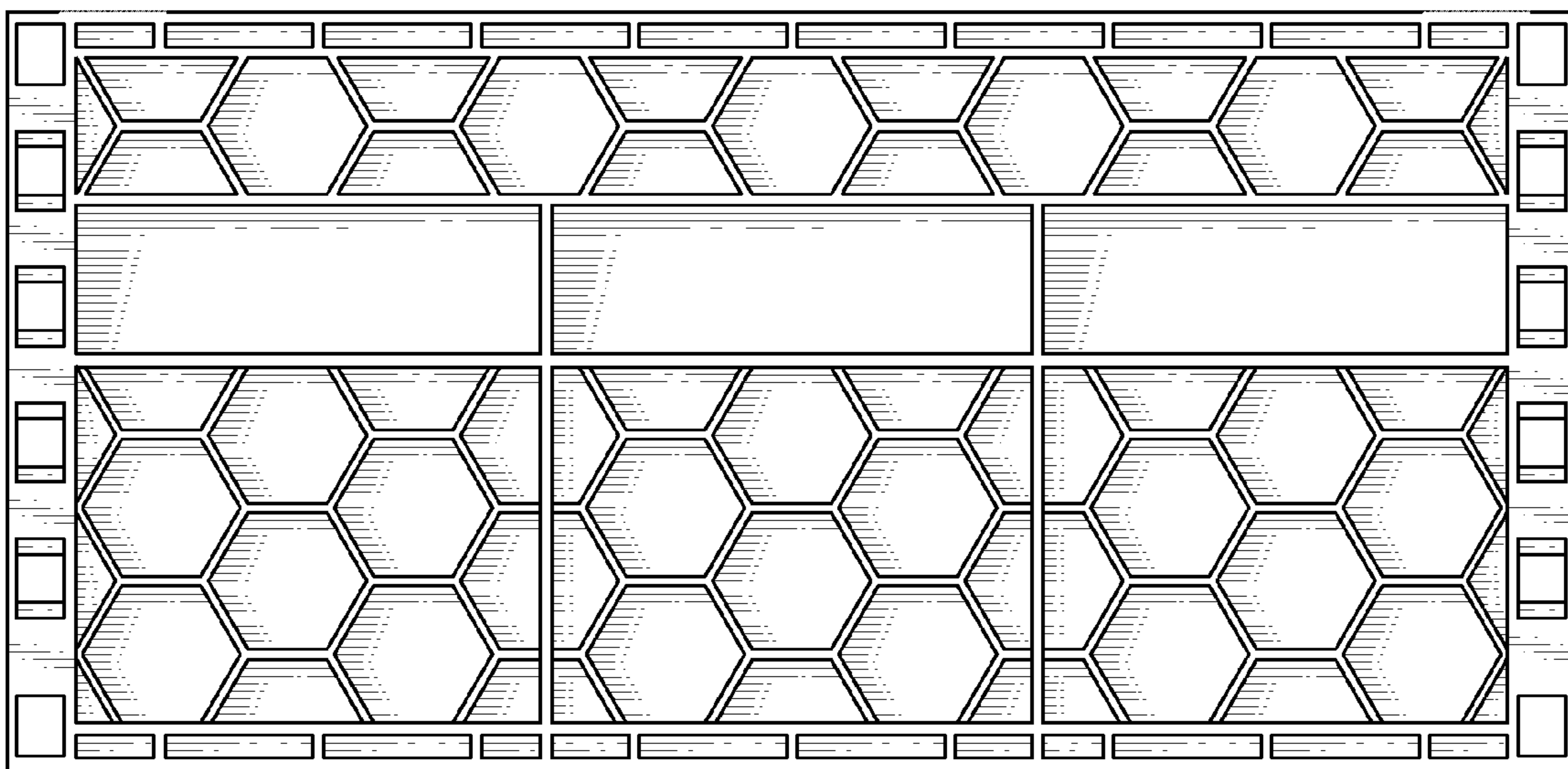
3,088,135	A *	5/1963	Covington	449/43	D286,224	S *	10/1986	Seehase	D11/232
3,110,044	A *	11/1963	Dullas	449/30	D286,226	S *	10/1986	Seehase	D11/232
3,182,339	A *	5/1965	Ellis et al.	449/44	D286,936	S *	11/1986	Bitel, Sr.	D3/312
3,245,093	A *	4/1966	Perrachon	449/44	4,648,199	A *	3/1987	Deaton et al.	43/100
3,410,441	A *	11/1968	Rhyne	220/4.28	4,663,791	A *	5/1987	Nishi	449/2
3,438,070	A *	4/1969	Florance	449/2	4,682,380	A *	7/1987	Martin	449/7
3,528,583	A *	9/1970	Taylor	220/4.28	4,824,711	A *	4/1989	Cagliostro et al.	428/116
3,565,278	A *	2/1971	Rehrig et al.	220/516	4,844,016	A *	7/1989	Filosa	119/481
D223,810	S *	6/1972	McIlvain	D3/312	D305,474	S *	1/1990	Fresquez	D3/311
D226,835	S *	5/1973	Van Geem	D3/312	4,992,073	A *	2/1991	Levy et al.	449/44
3,758,896	A *	9/1973	Croan	449/43	5,019,011	A *	5/1991	Williams et al.	449/27
3,806,969	A *	4/1974	Varama	449/42	D350,028	S *	8/1994	Apps	D3/314
3,864,196	A *	2/1975	Schmidt	449/44	D350,437	S *	9/1994	Apps et al.	D3/304
3,885,260	A *	5/1975	Byrne et al.	449/45	5,509,846	A *	4/1996	Kueneman et al.	449/11
3,968,531	A *	7/1976	Cartwright	449/30	5,538,153	A *	7/1996	Marovskis et al.	220/6
3,994,034	A *	11/1976	Van Damme et al.	449/12	5,628,671	A *	5/1997	Stevens	449/6
D242,600	S *	12/1976	Box	D3/311	5,632,405	A *	5/1997	McMath	220/560
3,995,338	A *	12/1976	Kauffeld	449/19	5,830,039	A *	11/1998	Fraser-Jones	449/2
D243,068	S *	1/1977	Verni	D3/312	6,435,355	B1 *	8/2002	Brown	211/44
4,077,075	A *	3/1978	Schade	449/43	6,530,819	B1 *	3/2003	Rovera	449/44
4,186,458	A *	2/1980	Caviglia, III	449/43	D484,333	S *	12/2003	Frederick	D6/479
4,199,832	A *	4/1980	Glasscock et al.	449/30	D489,162	S *	5/2004	Dings-Plooij	D1/121
4,216,557	A *	8/1980	Golde	449/43	D505,262	S *	5/2005	Chinni	D3/309
4,234,985	A *	11/1980	Pierce	449/43	D519,736	S *	5/2006	Jones	D3/311
4,267,613	A *	5/1981	Hester	449/42	D549,455	S *	8/2007	Kent et al.	D33/304
4,329,749	A *	5/1982	Hogg	449/17	D569,619	S *	5/2008	Kent et al.	D3/304
4,372,000	A *	2/1983	Hurd	449/43	7,416,469	B2 *	8/2008	Clerkin	449/44
4,374,440	A *	2/1983	Drapkin	449/43	D593,259	S *	5/2009	VanderDussen	D30/108
D273,338	S *	4/1984	Walton	D34/21	2005/0064788	A1 *	3/2005	Le Pabic	449/3
D277,798	S *	2/1985	DiSesa	D3/307	2007/0037481	A1 *	2/2007	Clerkin	449/44
4,524,476	A *	6/1985	Adams, IV	449/27	2008/0047864	A1 *	2/2008	McTavish et al.	206/509
D286,223	S *	10/1986	Seehase	D11/232	2008/0119110	A1 *	5/2008	Katsampis	449/15

\* cited by examiner





*Fig. 1*



*Fig. 2*

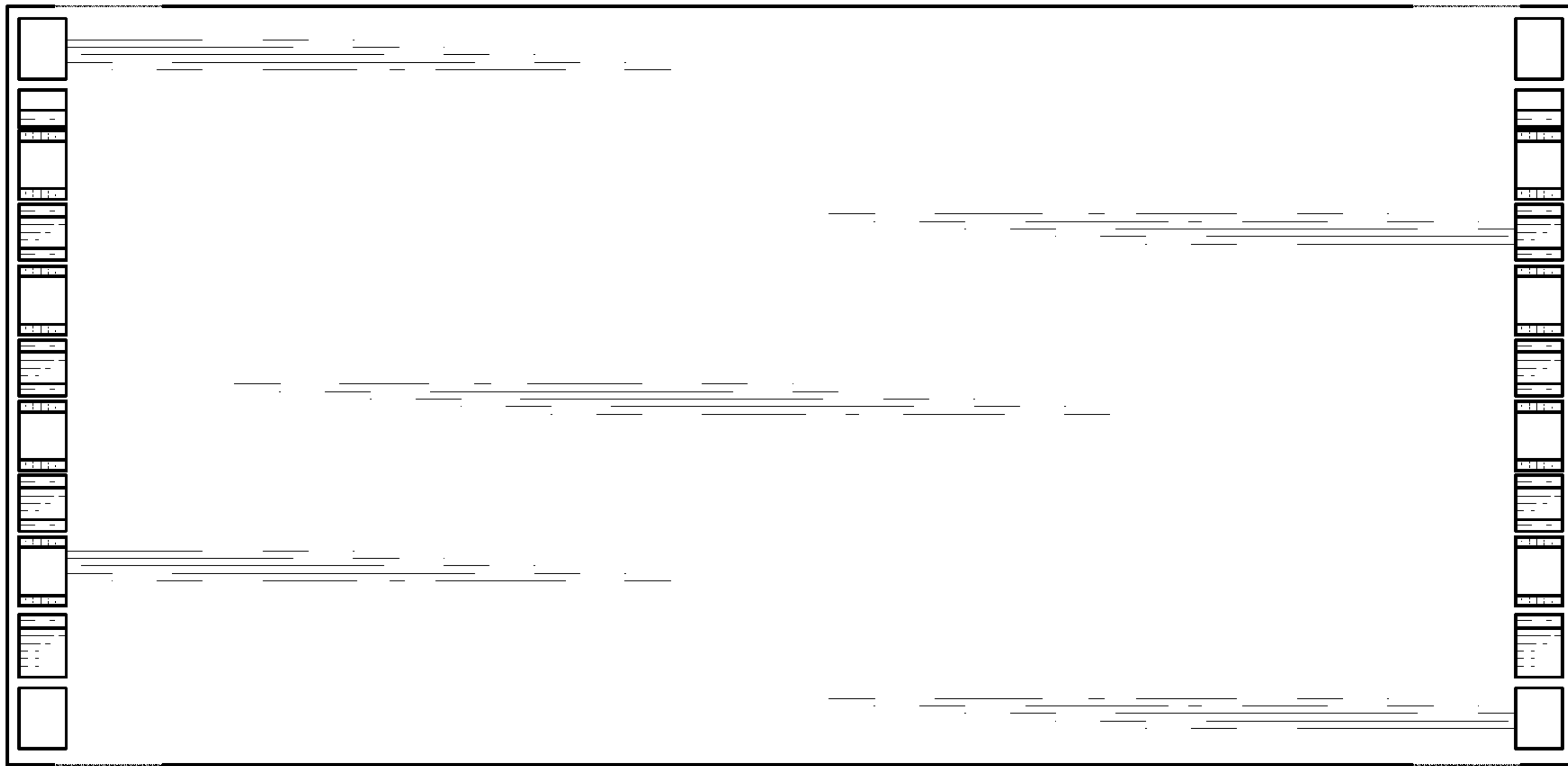


Fig. 3

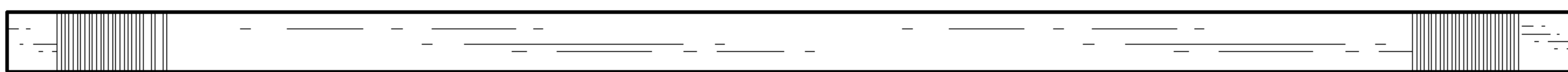


Fig. 4

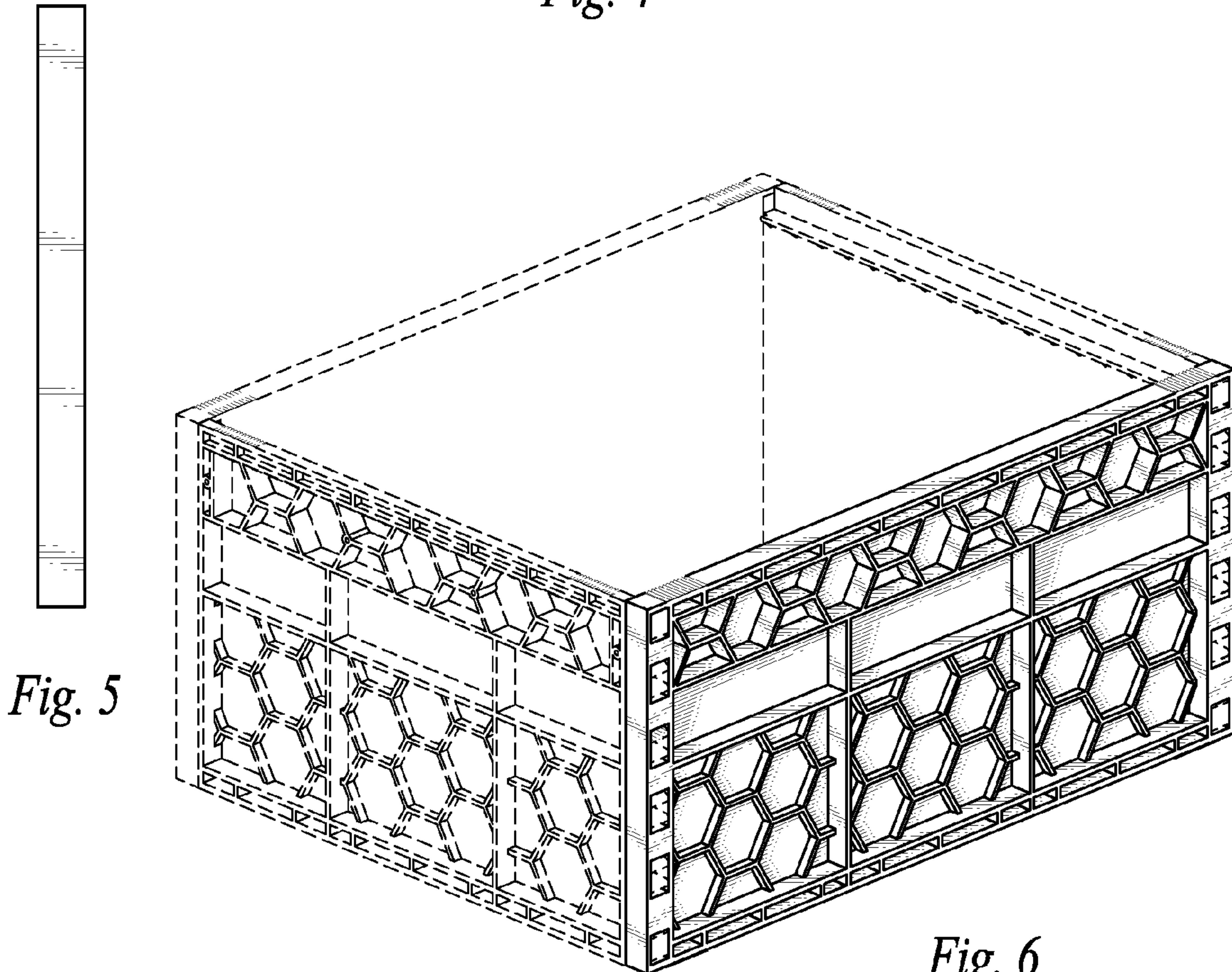


Fig. 5

Fig. 6