



US00D617953S

(12) **United States Design Patent**  
**Sederquist**

(10) **Patent No.:** **US D617,953 S**

(45) **Date of Patent:** **\*\* Jun. 15, 2010**

(54) **DENTAL FLOSS HOLDER**

(75) Inventor: **David Sederquist**, Palo Alto, CA (US)

(73) Assignee: **Clickguard Corporation**, Carson City, NV (US)

(\*\*) Term: **14 Years**

(21) Appl. No.: **29/313,526**

(22) Filed: **Jan. 16, 2009**

(51) **LOC (9) Cl.** ..... **28-03**

(52) **U.S. Cl.** ..... **D28/66**

(58) **Field of Classification Search** ..... D28/31,  
D28/56, 65-68, 73; D24/152; 433/141,  
433/146-147; 132/322-329

See application file for complete search history.

(56) **References Cited**

**U.S. PATENT DOCUMENTS**

D265,004 S *	6/1982	Davis	.....	D28/68
D274,759 S *	7/1984	Starks	.....	D28/68
D294,746 S *	3/1988	Ransom	.....	D28/68
D296,370 S *	6/1988	Lewis et al.	.....	D28/68
D310,582 S *	9/1990	Kujirai	.....	D28/68
D354,154 S *	1/1995	Topelko	.....	D28/68
D374,311 S *	10/1996	Dolan et al.	.....	D28/68

D376,672 S *	12/1996	Topelko	.....	D28/68
D376,673 S *	12/1996	Topelko	.....	D28/68
D413,695 S *	9/1999	Bitz	.....	D28/66

\* cited by examiner

*Primary Examiner*—Janice E Seeger

*Assistant Examiner*—Zenia I Bennett

(74) *Attorney, Agent, or Firm*—Thomas M. Freiburger

(57) **CLAIM**

The ornamental design for a dental floss holder, substantially as shown and described.

**DESCRIPTION**

FIG. 1 is a perspective view showing a rear surface and bottom end of a dental floss holder showing my new design;

FIG. 2 is a front elevation view thereof;

FIG. 3 is a rear elevation view thereof;

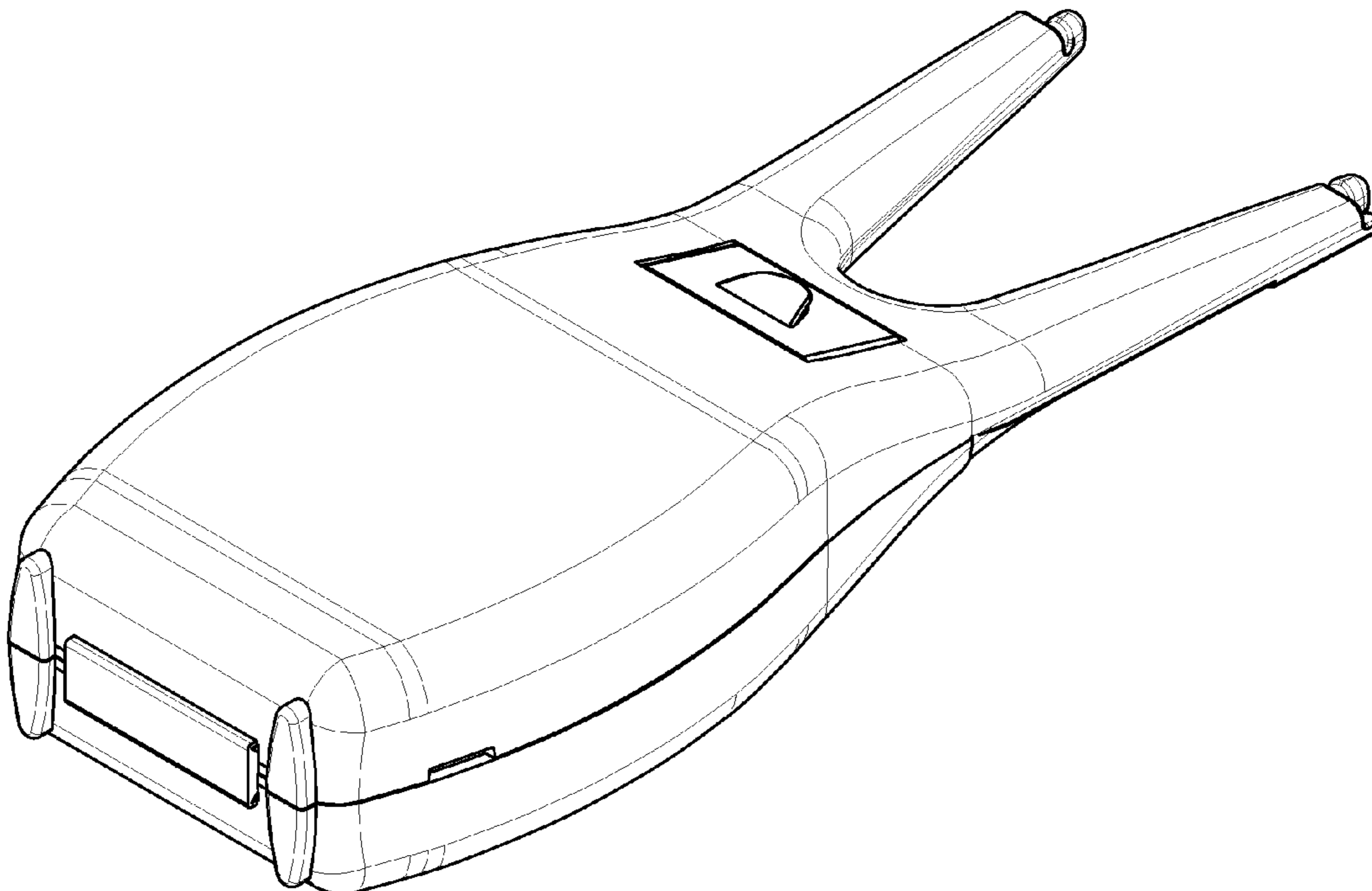
FIG. 4 is a top end view thereof;

FIG. 5 is a bottom end view thereof; and,

FIG. 6 is a side view thereof, the opposite side view being a mirror image.

The broken lines are for environmental purposes only and form no part of the claimed design.

**1 Claim, 2 Drawing Sheets**



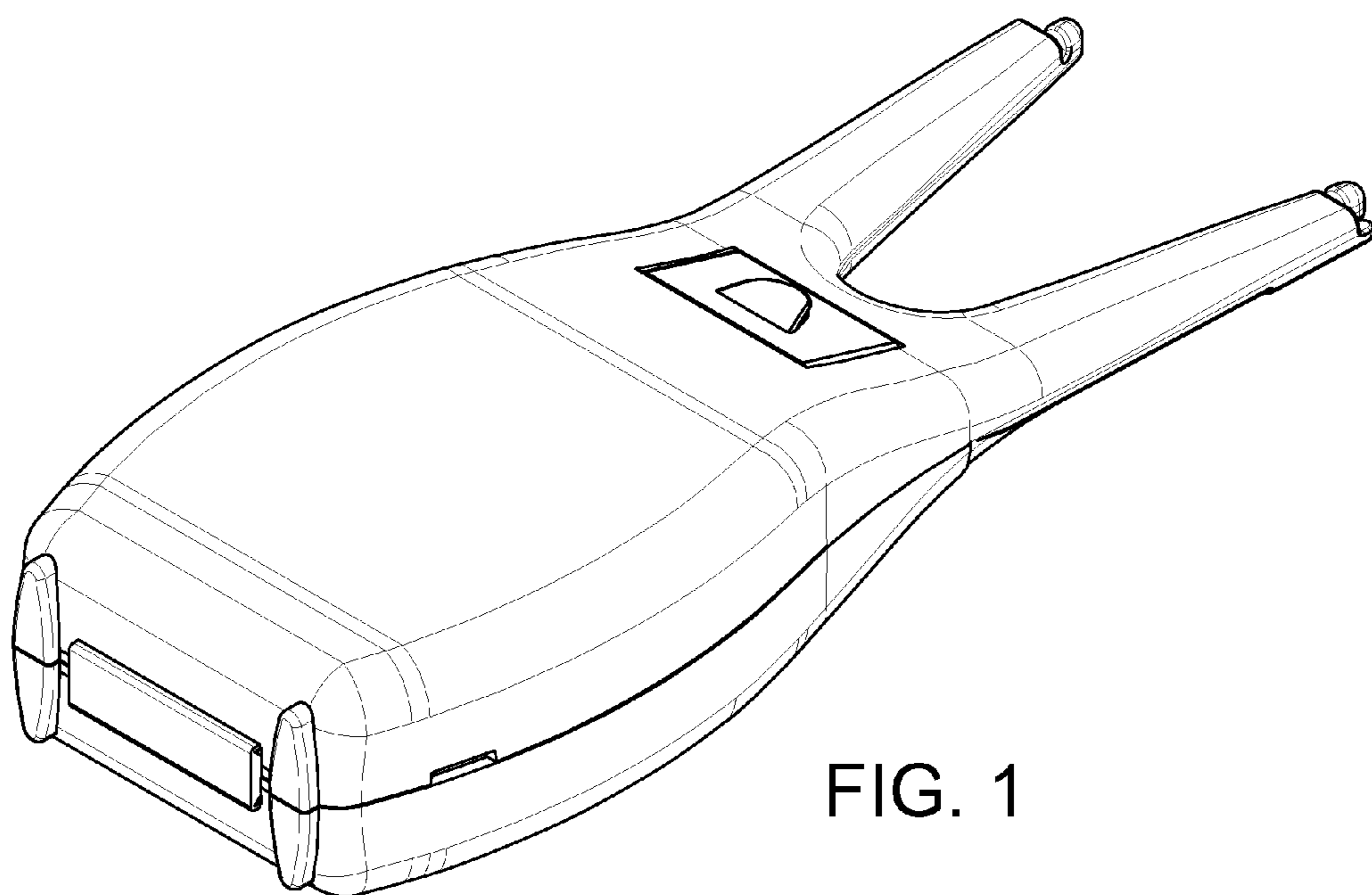


FIG. 1

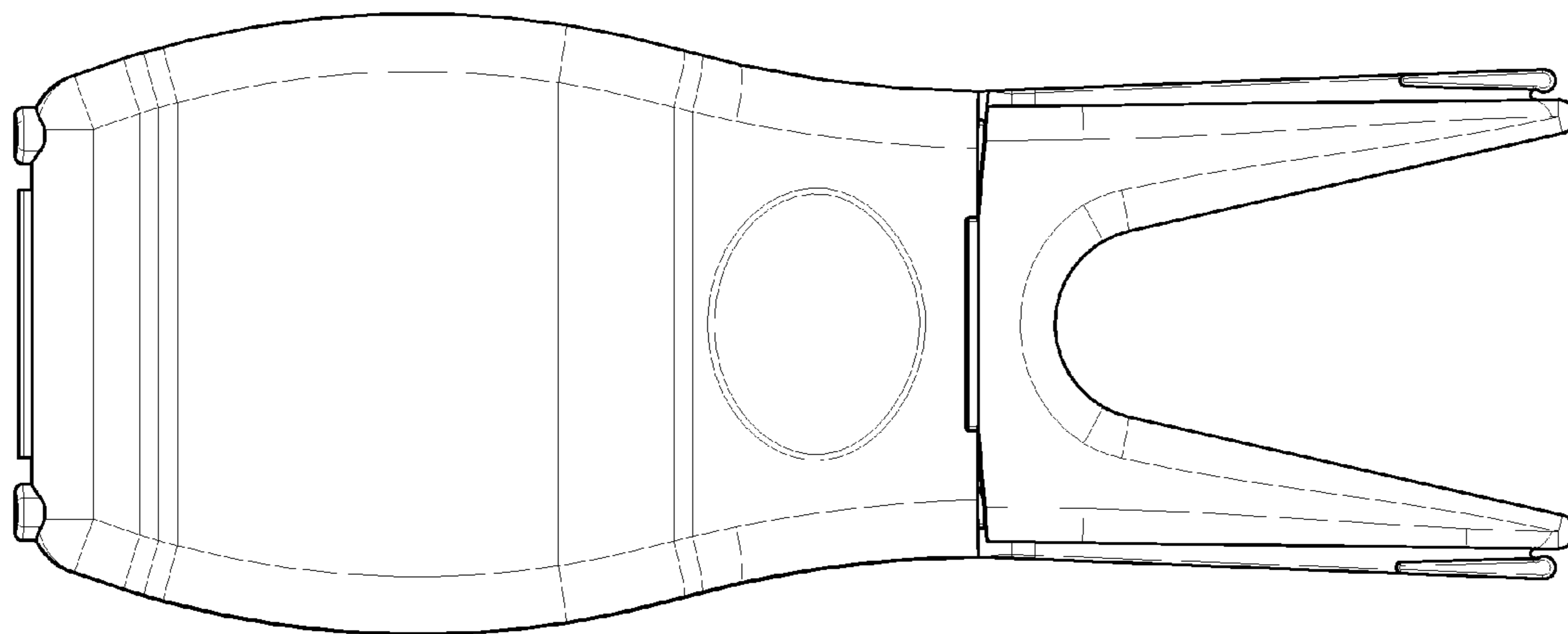


FIG. 2

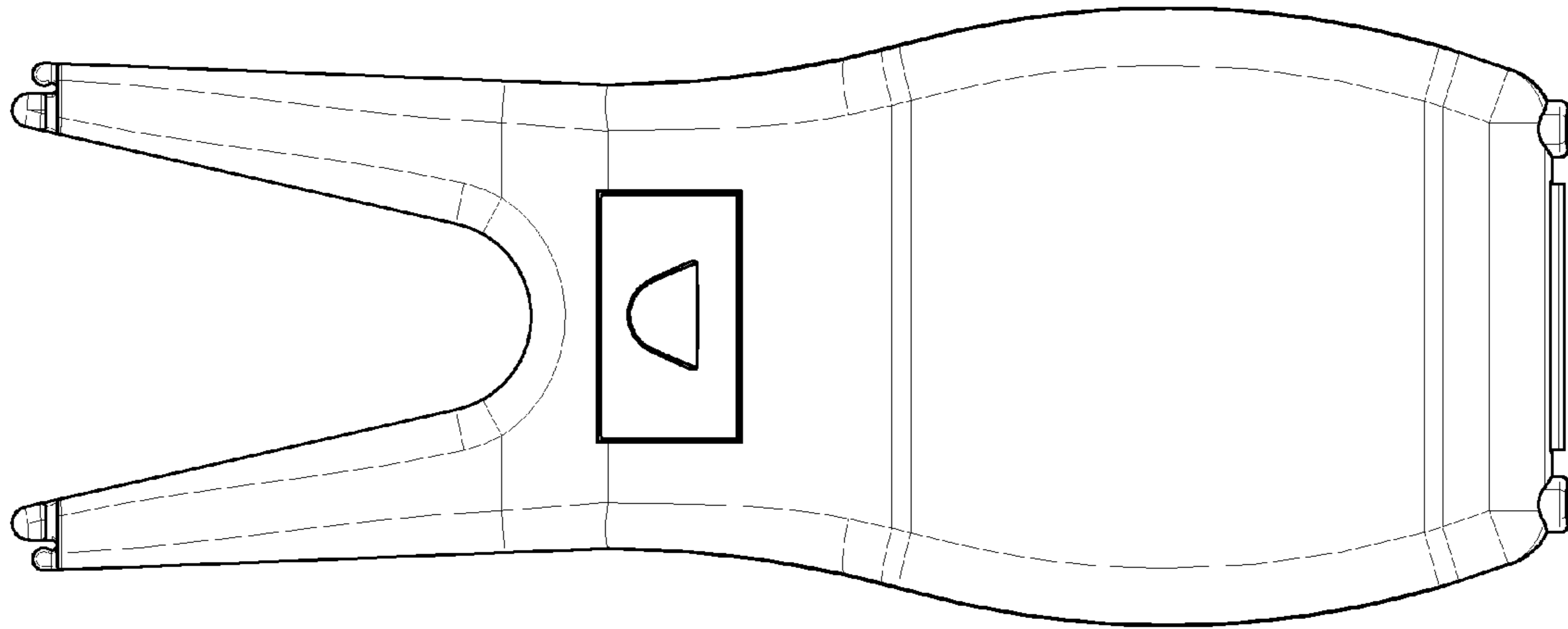


FIG. 3

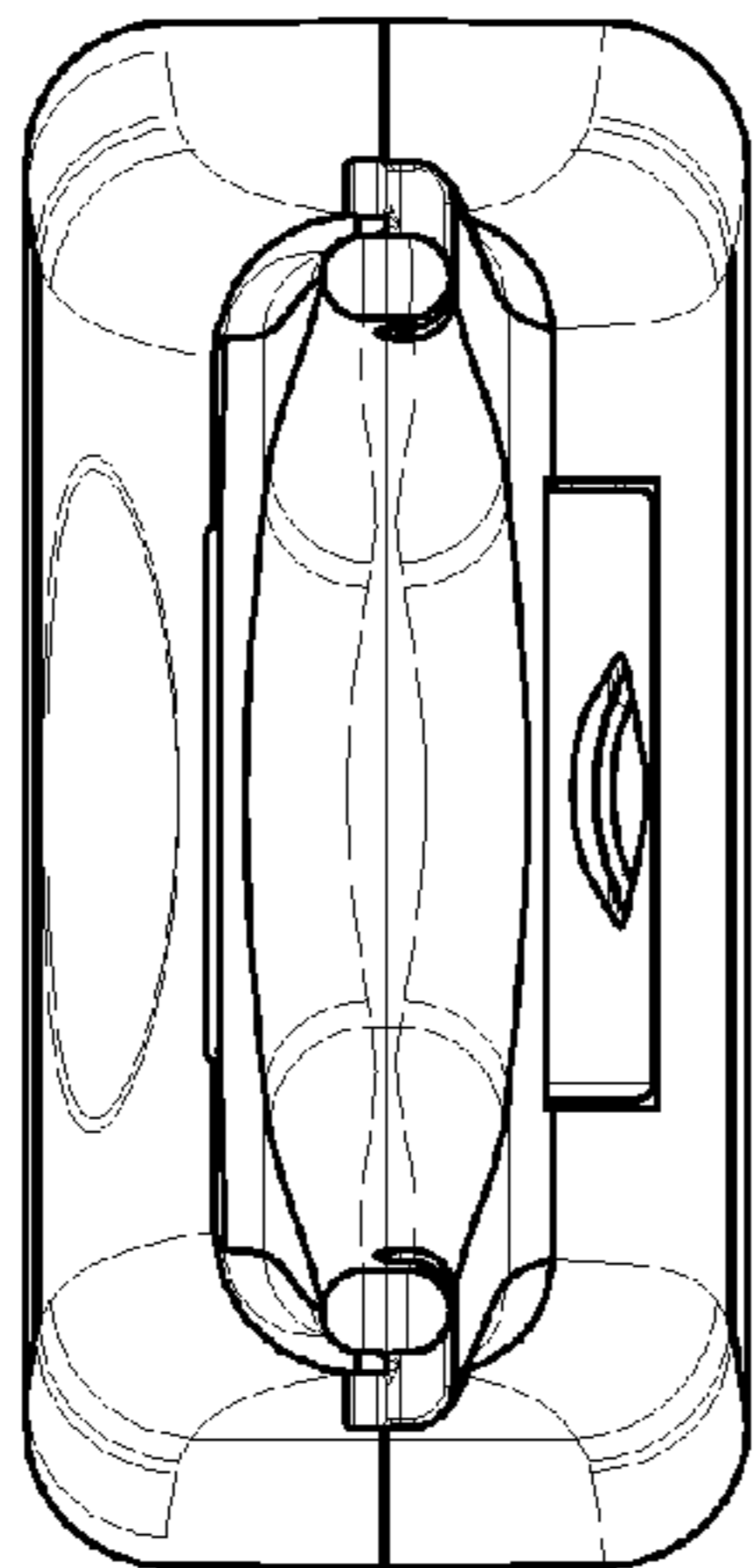


FIG. 4

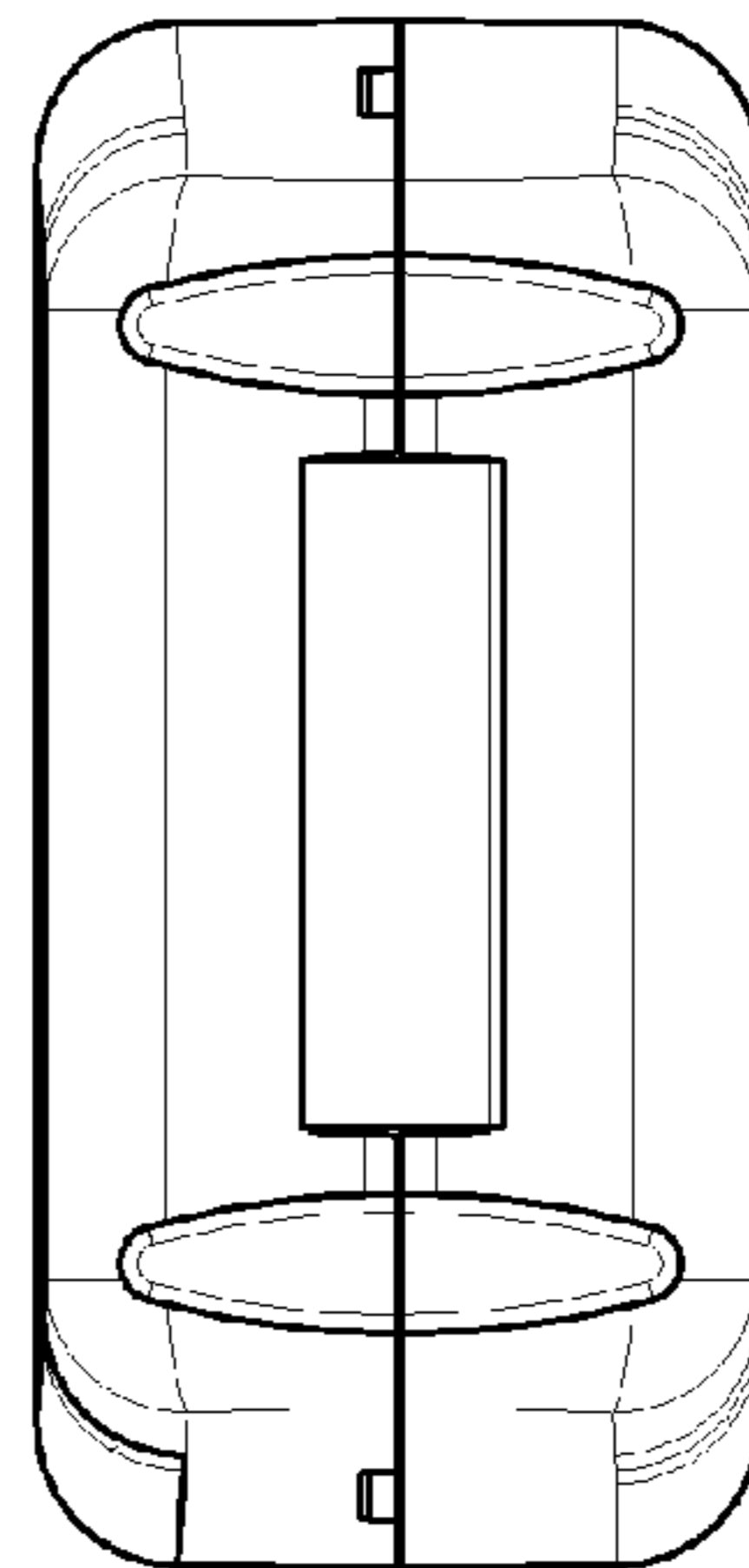


FIG. 5

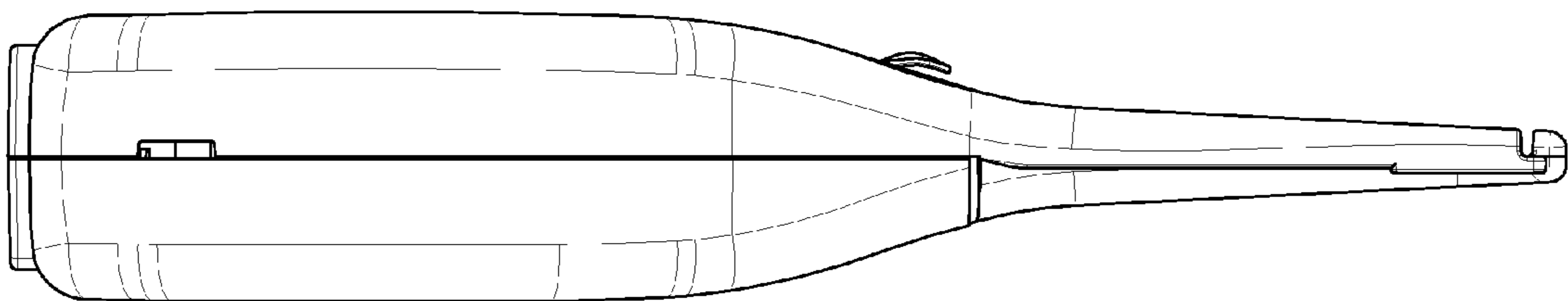


FIG. 6