



US00D617950S

(12) **United States Design Patent**
Christie et al.

(10) **Patent No.:** **US D617,950 S**
(45) **Date of Patent:** **** Jun. 15, 2010**

(54) **SHAVING RAZOR HANDLE**

(75) Inventors: **Vanessa Christie**, Boston, MA (US);
Brian Patrick Watson, Albion, RI (US);
Christopher Ramm, North Attleboro,
MA (US); **Soojung Ham**, Providence,
RI (US)

(73) Assignee: **The Gillette Company**, Boston, MA
(US)

(**) Term: **14 Years**

(21) Appl. No.: **29/356,414**

(22) Filed: **Feb. 25, 2010**

Related U.S. Application Data

(62) Division of application No. 29/337,058, filed on May
14, 2009, now Pat. No. Des. 614,354.

(51) **LOC (9) Cl.** **28-03**

(52) **U.S. Cl.** **D28/47**

(58) **Field of Classification Search** 30/32,
30/34.05, 34.1-34.2, 41, 44-46, 47-51, 57-58,
30/77-84, 526-536, 537; D28/44-49
See application file for complete search history.

(56) **References Cited**

U.S. PATENT DOCUMENTS

D250,130 S	10/1978	Douglas	
D253,726 S	12/1979	Schuman et al.	
4,212,103 A *	7/1980	Schuman-Hoole	30/32
D260,303 S	8/1981	Wordtmann	
D425,250 S	5/2000	Gray	
D437,661 S	2/2001	Pinchuk	
D495,828 S	9/2004	Ham et al.	
D499,511 S	12/2004	Wakayama	
D533,964 S	12/2006	Ham	

D541,987 S	5/2007	Sugawara	
D558,923 S	1/2008	Watson et al.	
D563,047 S	2/2008	Ramm et al.	
D571,955 S	6/2008	Wonderley et al.	
D587,403 S	2/2009	Wonderley	
D589,210 S	3/2009	Wonderley et al.	
D603,560 S	11/2009	Micinilio	
D604,012 S	11/2009	Jung	
2005/0034307 A1 *	2/2005	Brzezinski	30/34.05
2005/0172493 A1 *	8/2005	Fischer et al.	30/45
2007/0084058 A1 *	4/2007	Szczepanowski et al.	30/34.05
2008/0216329 A1 *	9/2008	Leventhal	30/527
2009/0255124 A1 *	10/2009	Hasbani	30/527

* cited by examiner

Primary Examiner—Jennifer Rivard

(74) *Attorney, Agent, or Firm*—John M. Lipchitz; Kevin C. Johnson; Steven W. Miller

(57) **CLAIM**

The ornamental design for the shaving razor handle, as shown and described.

DESCRIPTION

FIG. 1 is a perspective view of a shaving razor handle showing our new design;

FIG. 2 is a top view thereof;

FIG. 3 is a bottom view thereof;

FIG. 4 is a right view thereof;

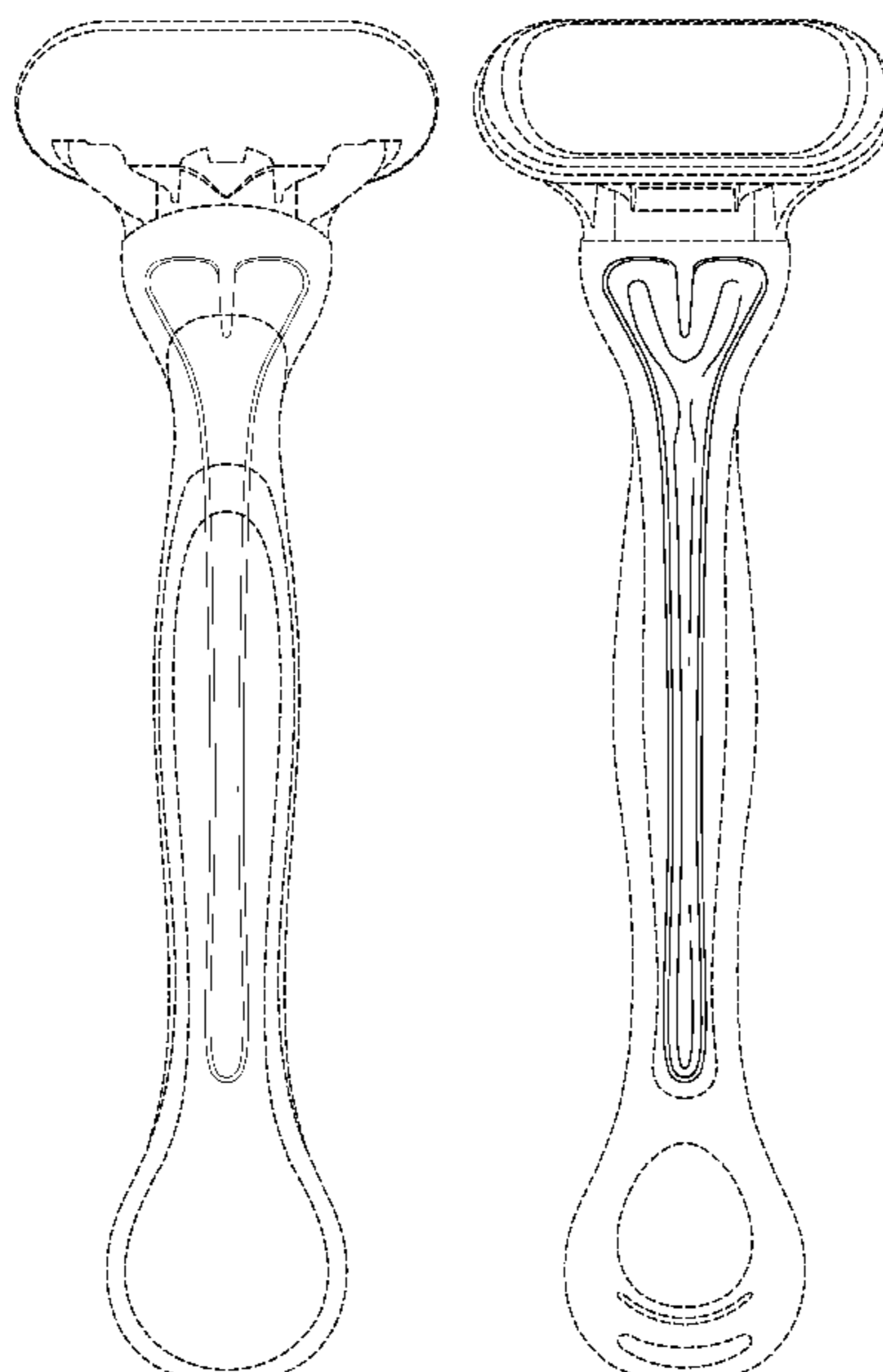
FIG. 5 is a left view thereof;

FIG. 6 is a front view thereof; and,

FIG. 7 is a rear view thereof.

The broken lines are directed to the environment and are for illustrative purposes only and form no part of the claimed design.

1 Claim, 4 Drawing Sheets



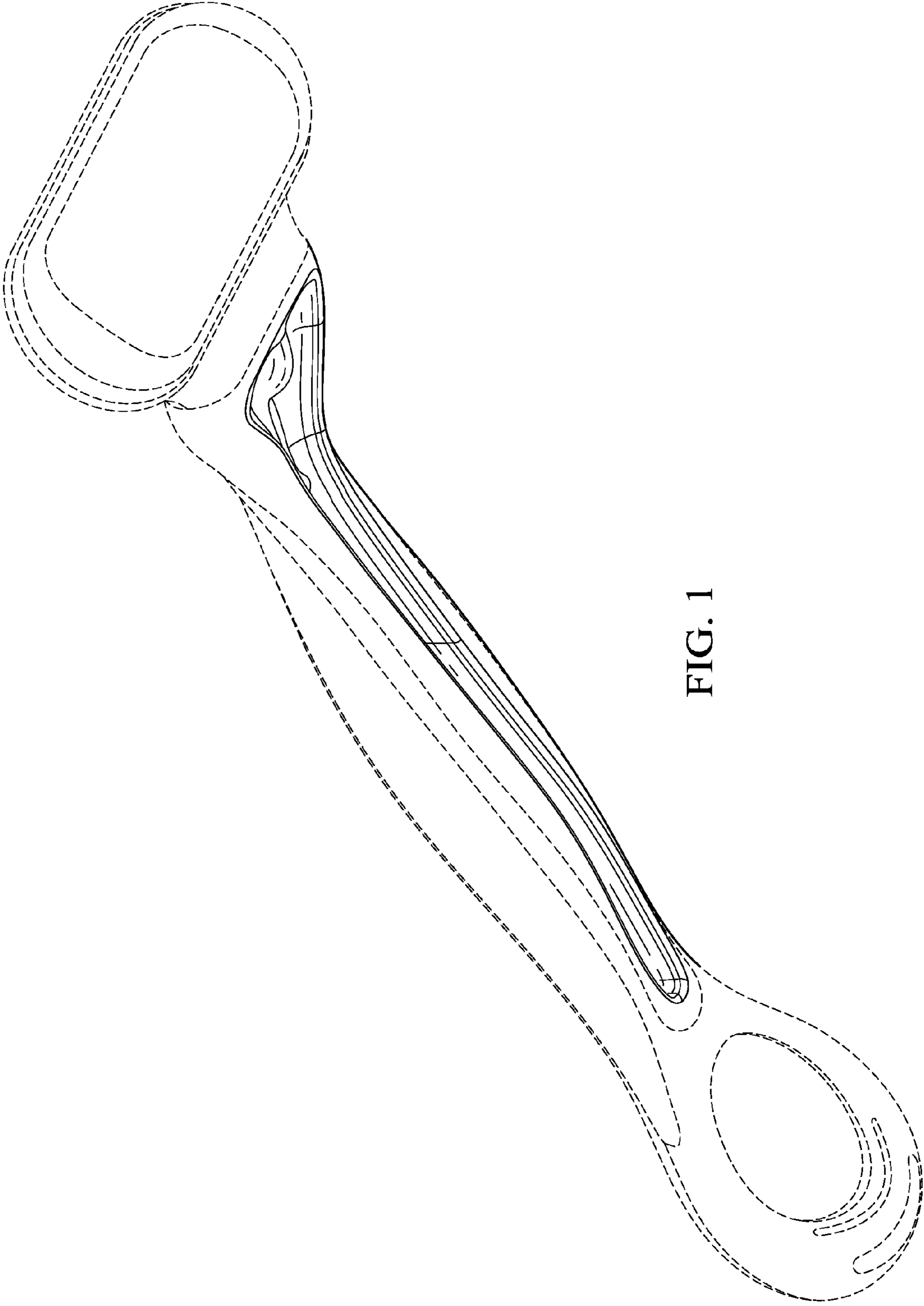


FIG. 1

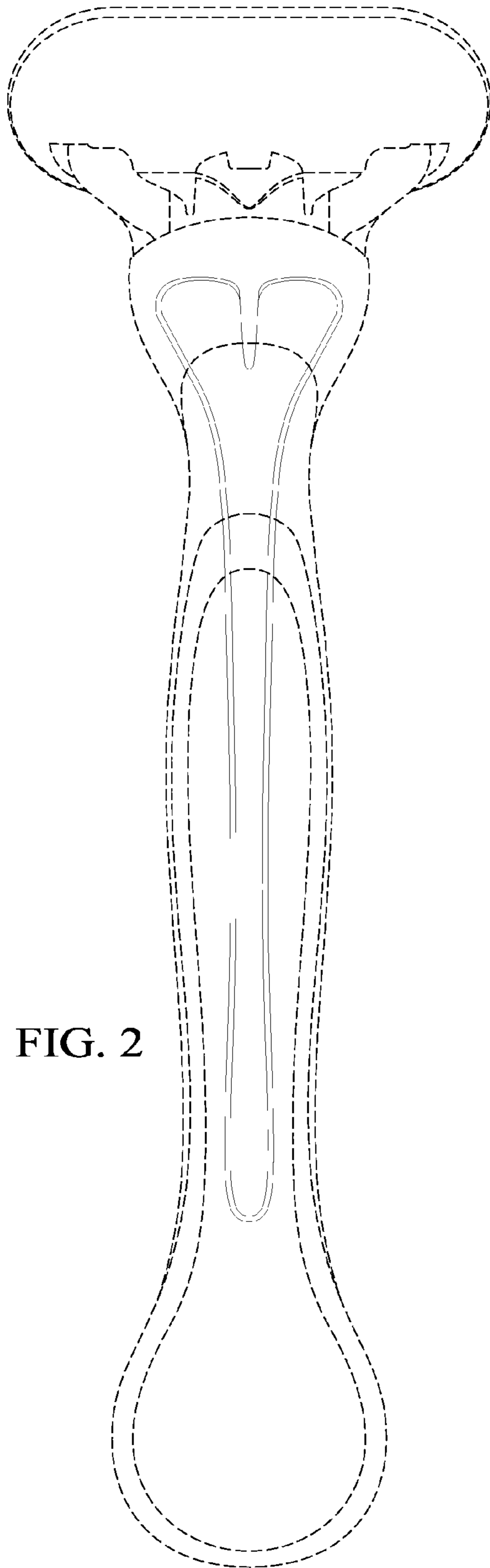


FIG. 2

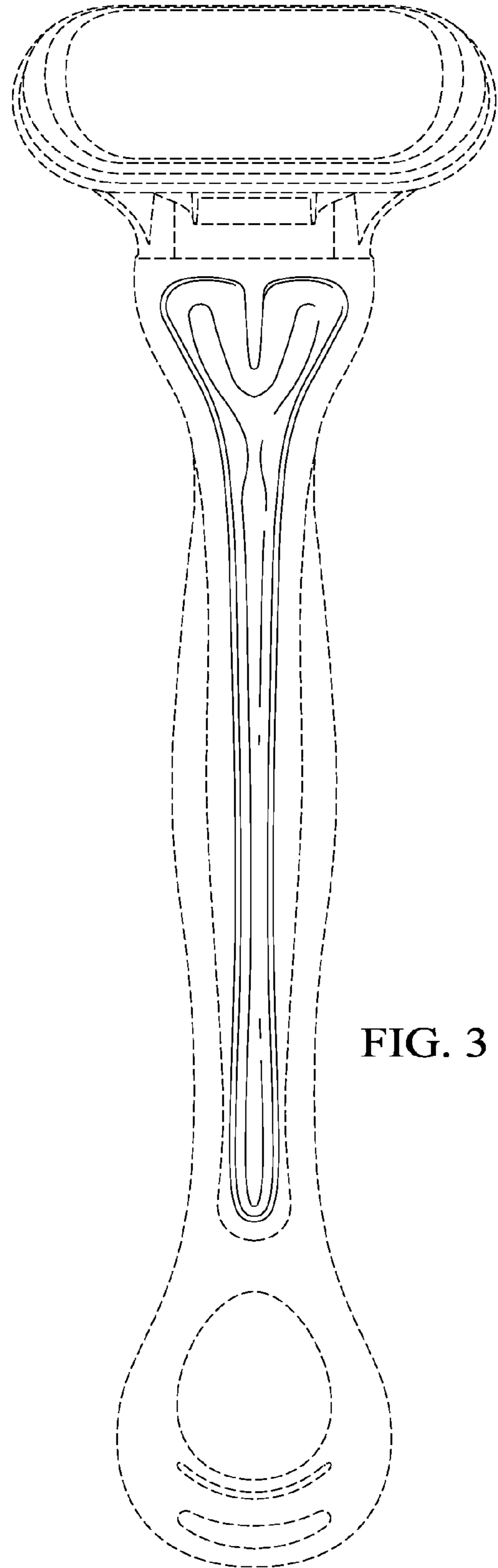


FIG. 3

FIG. 4

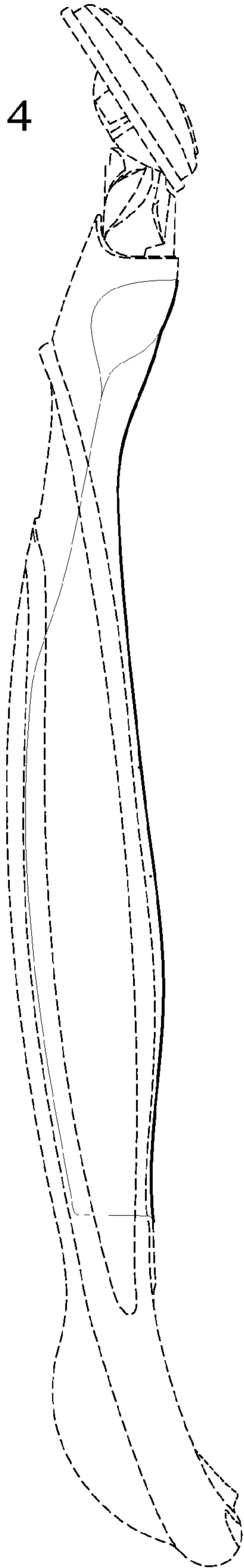


FIG. 5



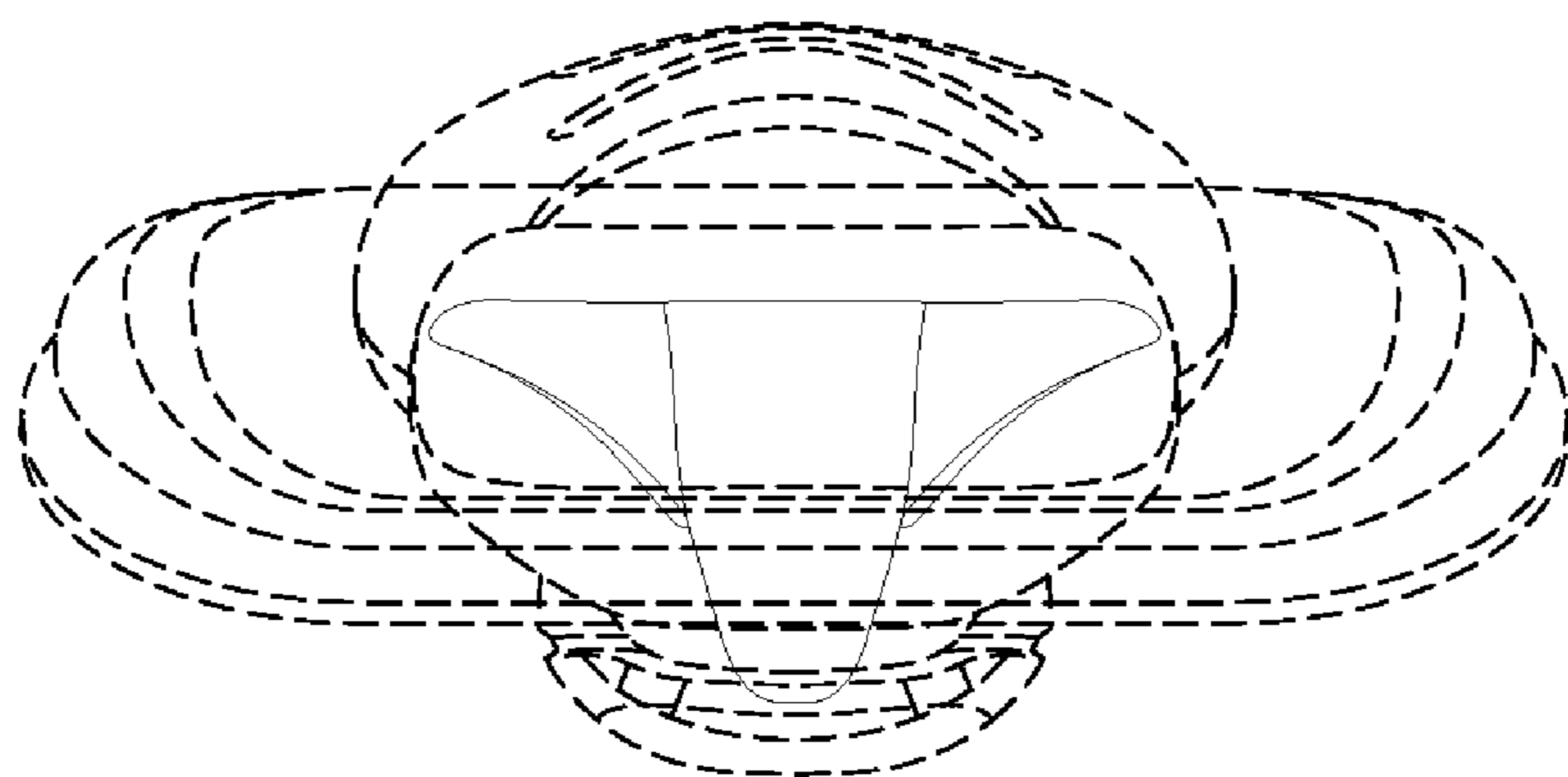


FIG. 6

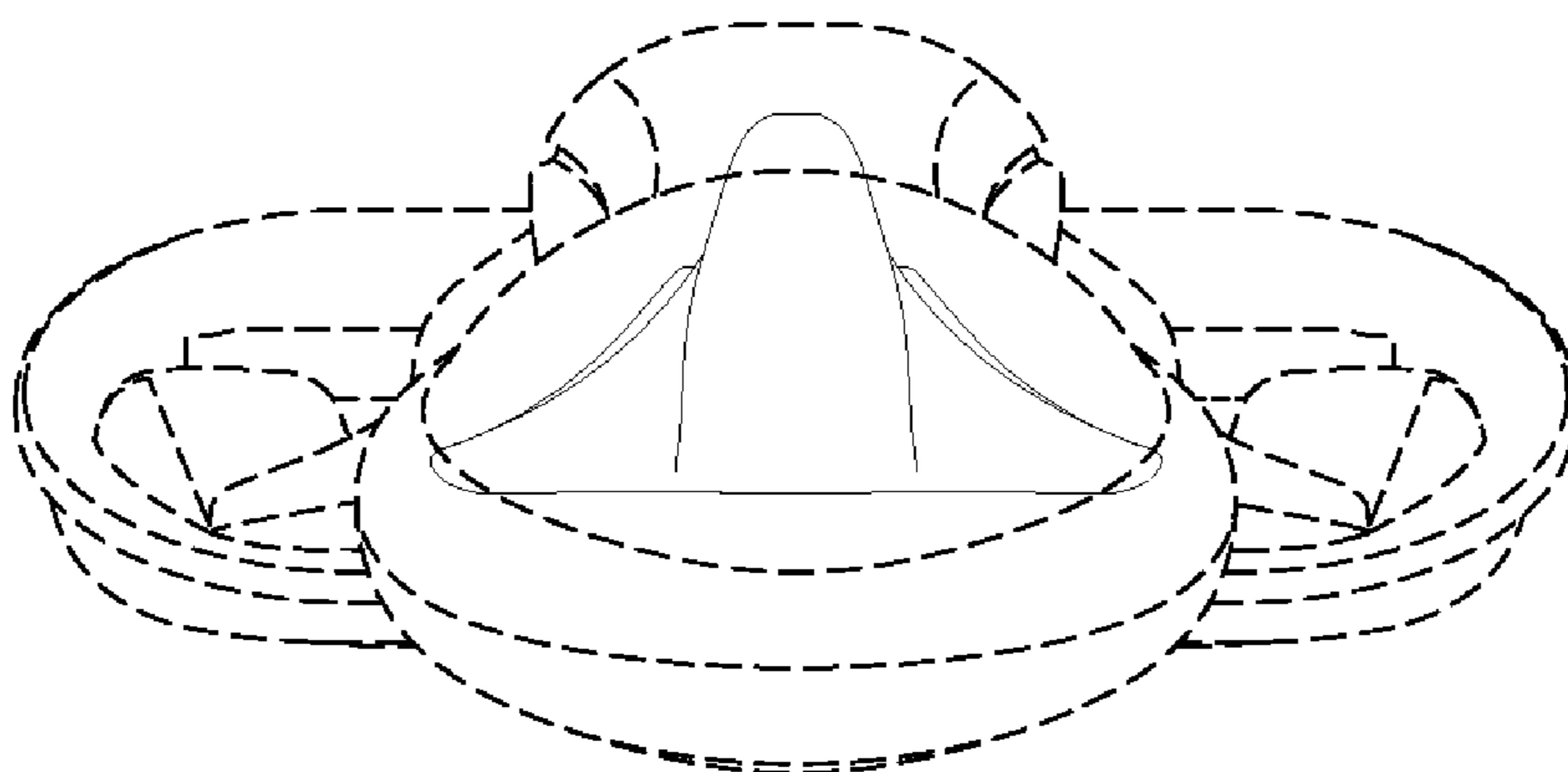


FIG. 7