



US00D617946S

(12) **United States Design Patent**  
**Lukan et al.**

(10) **Patent No.:** **US D617,946 S**  
(45) **Date of Patent:** **\*\* Jun. 15, 2010**

(54) **RAZOR CARTRIDGE**

(75) Inventors: **Sean Lukan**, Milford, CT (US); **Nathan Venskytis**, Hamden, CT (US)

(73) Assignee: **Eveready Battery Company**, St. Louis, MO (US)

(\*\*) Term: **14 Years**

(21) Appl. No.: **29/342,707**

(22) Filed: **Aug. 31, 2009**

(51) **LOC (9) Cl.** ..... **28-03**

(52) **U.S. Cl.** ..... **D28/47**

(58) **Field of Classification Search** ..... D28/46-47;  
30/51, 52, 57, 77-83, 538

See application file for complete search history.

(56) **References Cited**

**U.S. PATENT DOCUMENTS**

4,403,412	A *	9/1983	Trotta	.....	30/47
D307,333	S *	4/1990	Ferraro et al.	.....	D28/46
D343,254	S *	1/1994	Miller et al.	.....	D28/47
5,313,705	A *	5/1994	Rivers et al.	.....	30/50
5,661,907	A	9/1997	Apprille, Jr.		
D402,084	S	12/1998	Chen et al.		
5,903,979	A	5/1999	Oldroyd		
D514,253	S	1/2006	Gray		
D516,243	S *	2/2006	Nakasuka	.....	D28/47

D533,684	S	12/2006	Gray et al.		
D534,313	S *	12/2006	Provost et al.	.....	D28/46
7,331,107	B2	2/2008	Folio et al.		
D575,454	S	8/2008	Keene et al.		
D599,955	S *	9/2009	Provost	.....	D28/46
D604,904	S *	11/2009	Watson	.....	D28/47

\* cited by examiner

*Primary Examiner*—Jennifer Rivard

(74) *Attorney, Agent, or Firm*—Energizer Personal Care, LLC

(57) **CLAIM**

The ornamental design for the razor cartridge, as shown and described.

**DESCRIPTION**

FIG. 1 is a perspective view from above of a razor cartridge.

FIG. 2 is a perspective view from below thereof.

FIG. 3 is a top view thereof.

FIG. 4 is a front view thereof.

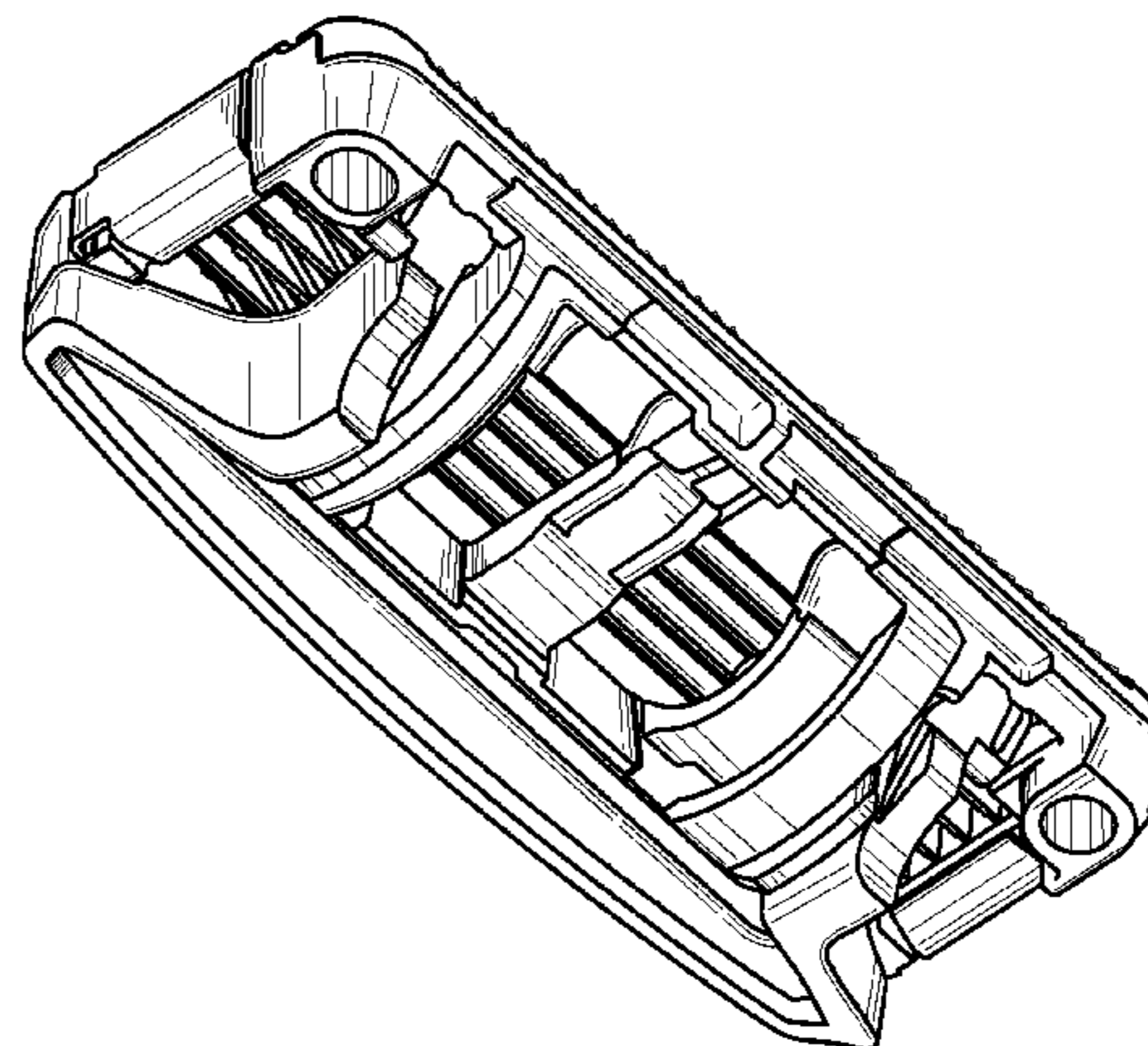
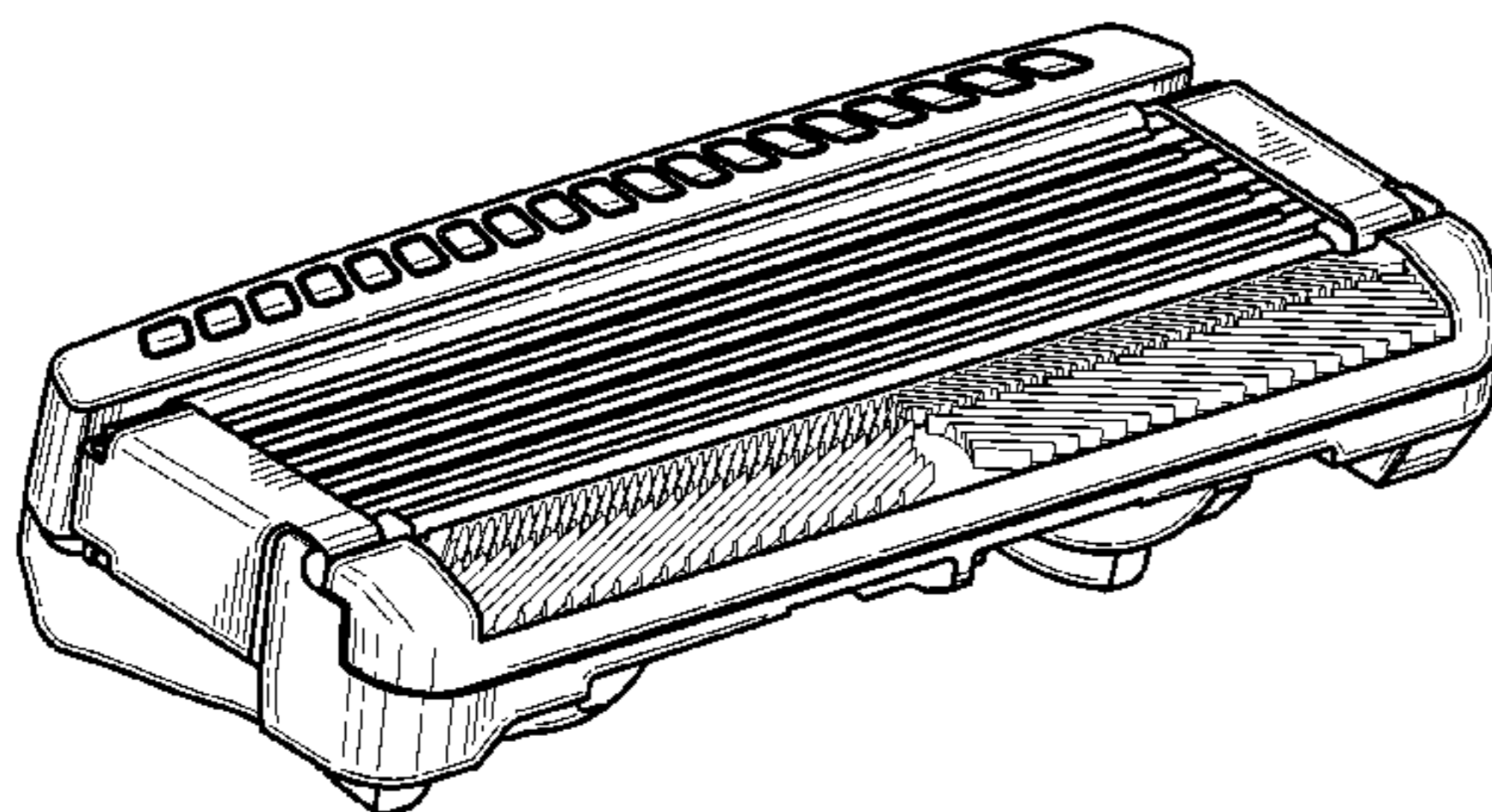
FIG. 5 is a bottom view thereof.

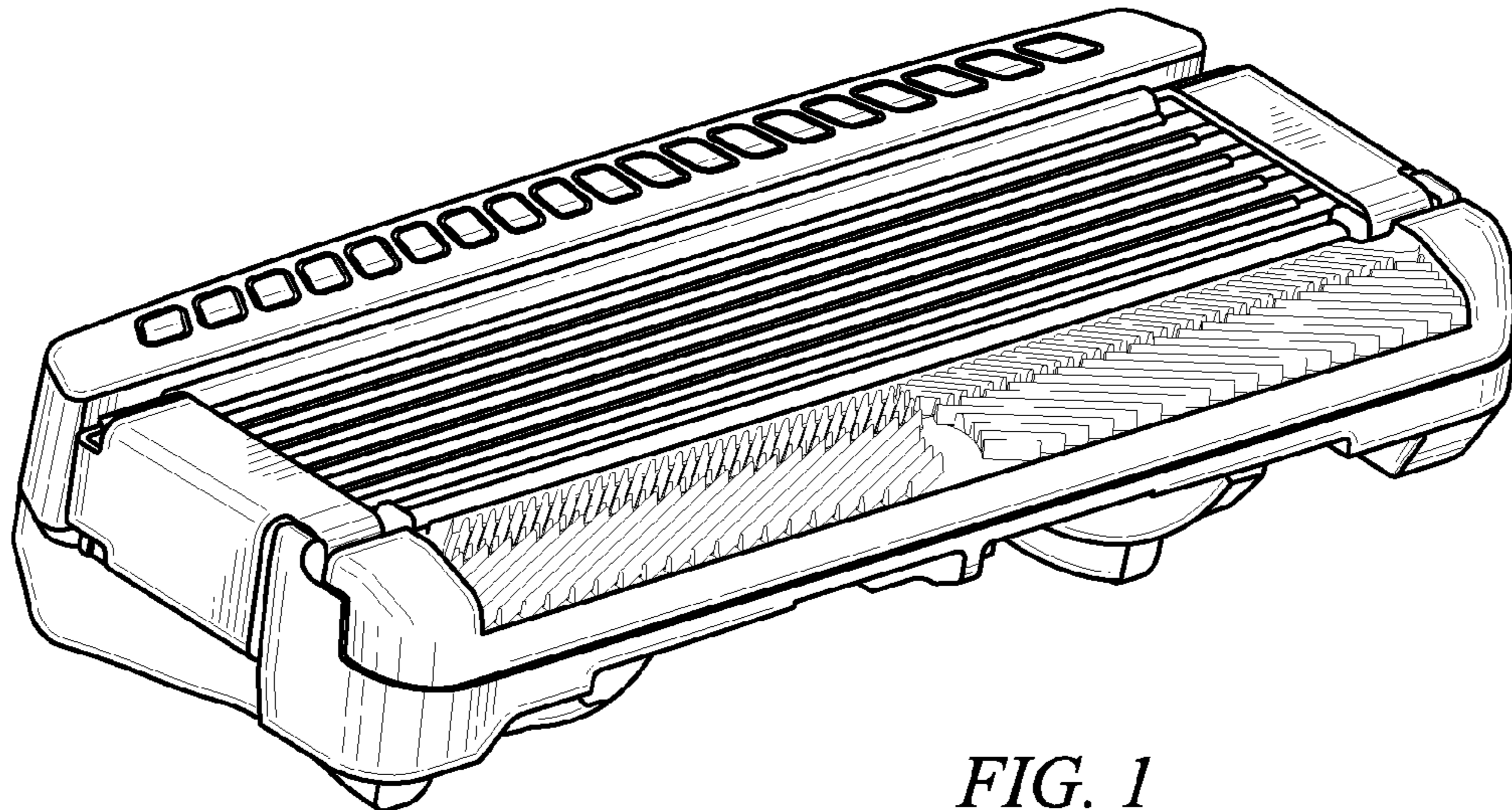
FIG. 6 is a rear view thereof.

FIG. 7 is a left view of FIG. 3; and,

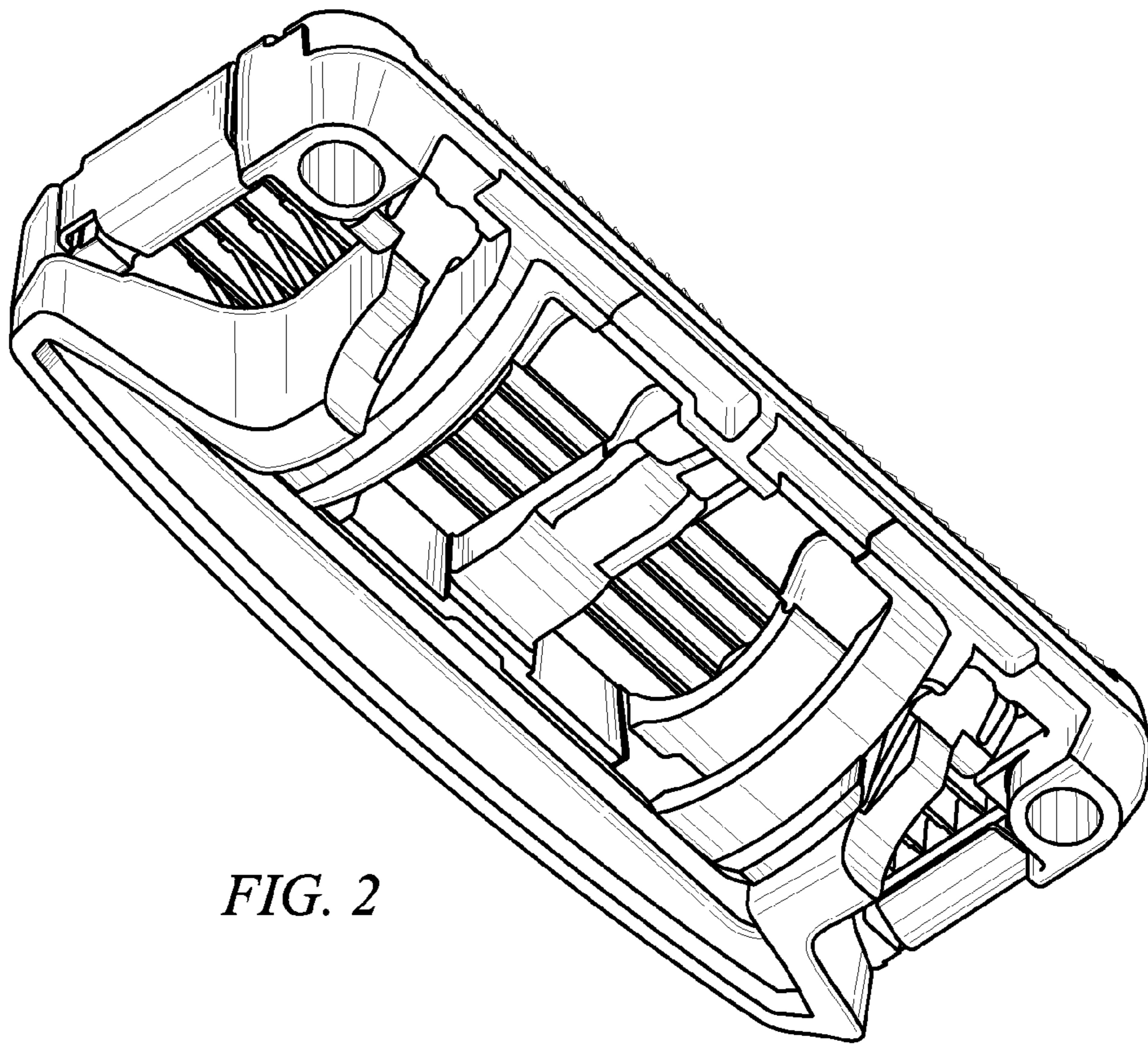
FIG. 8 is a right view of FIG. 3.

**1 Claim, 4 Drawing Sheets**





*FIG. 1*



*FIG. 2*

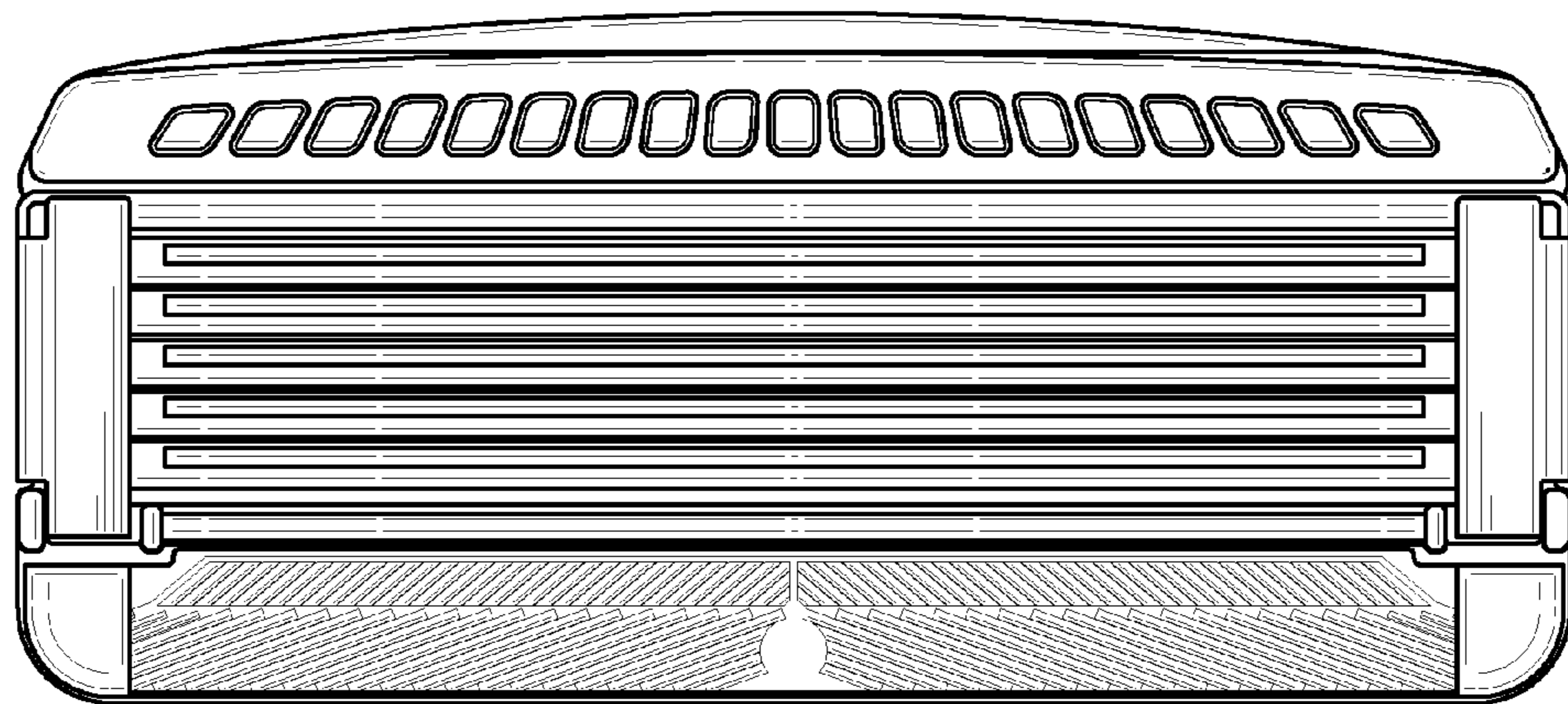


FIG. 3

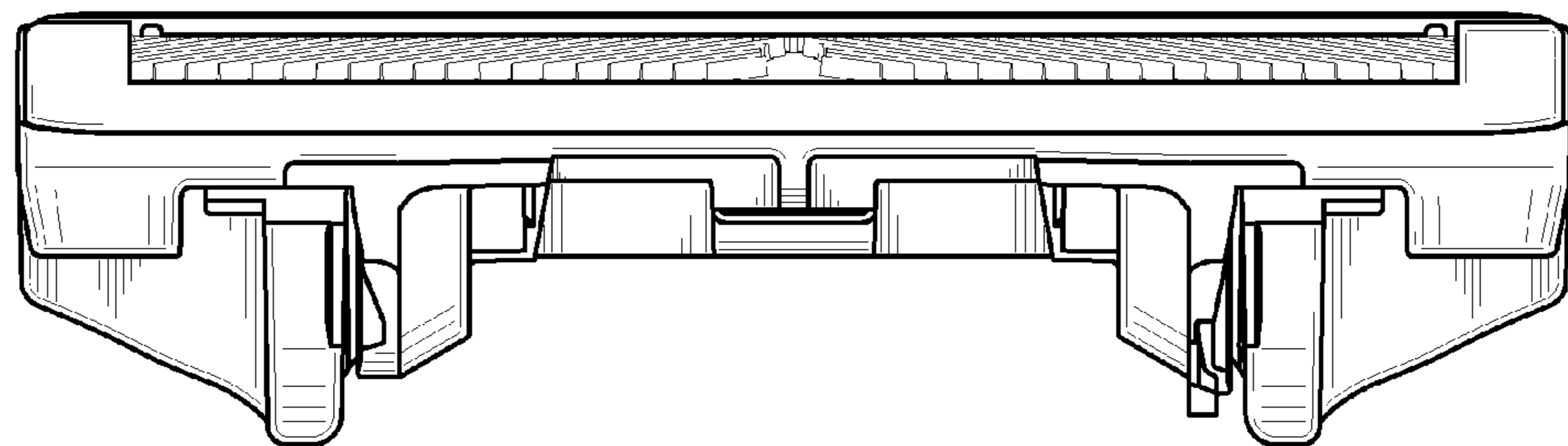
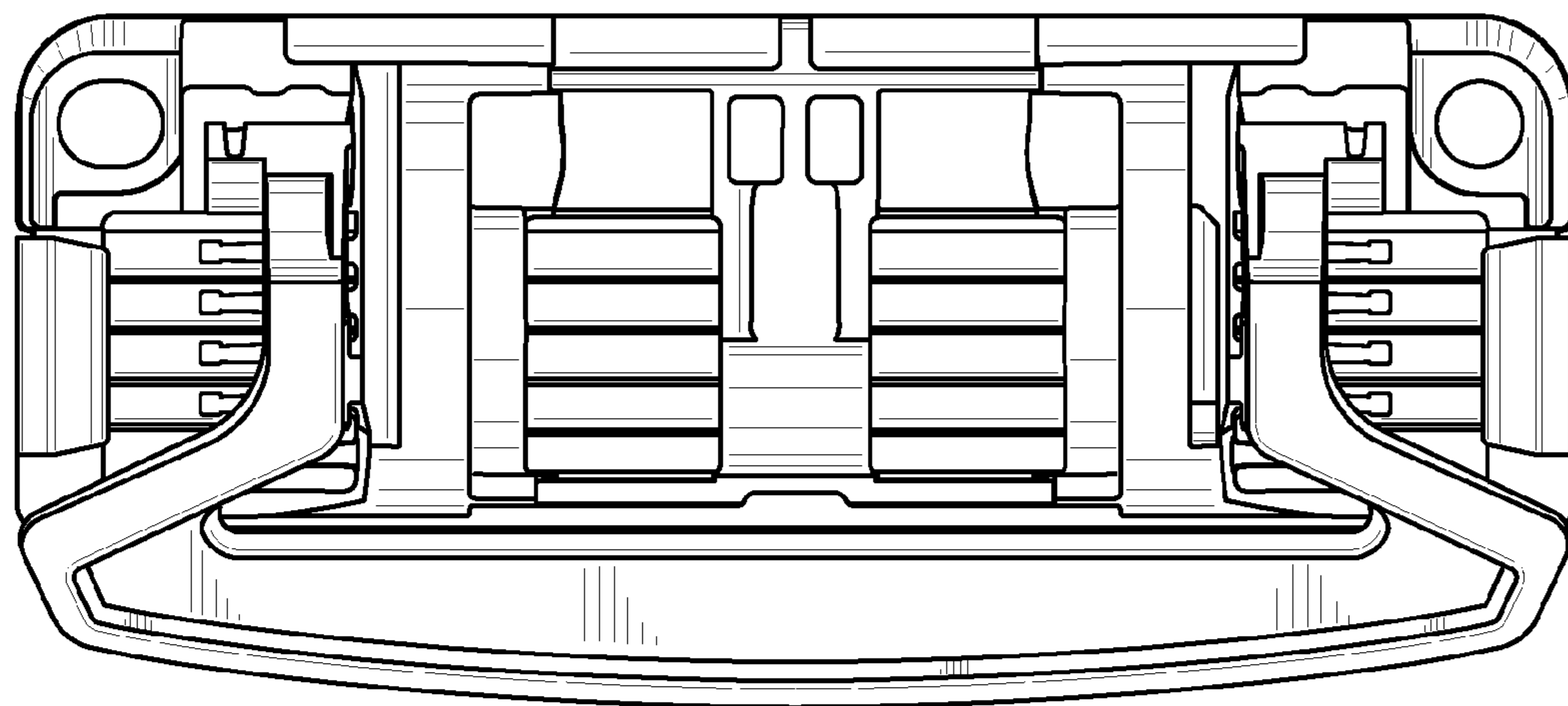
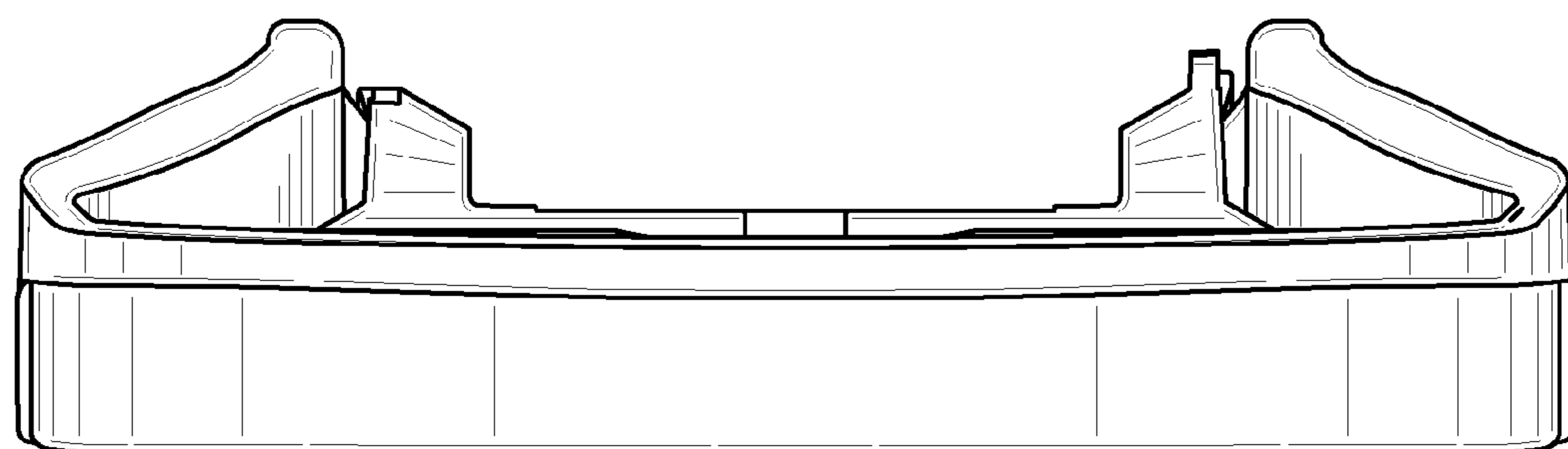


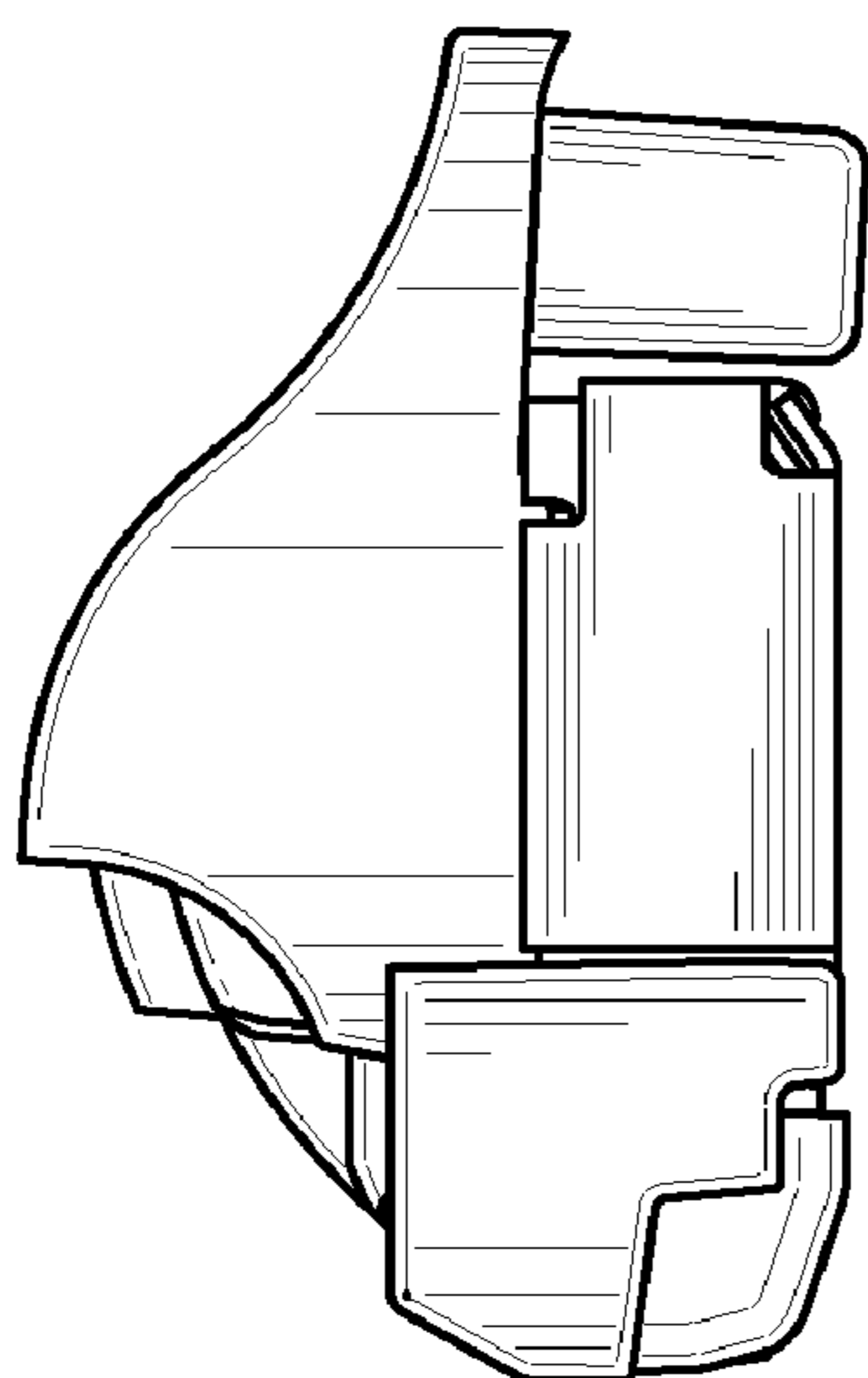
FIG. 4



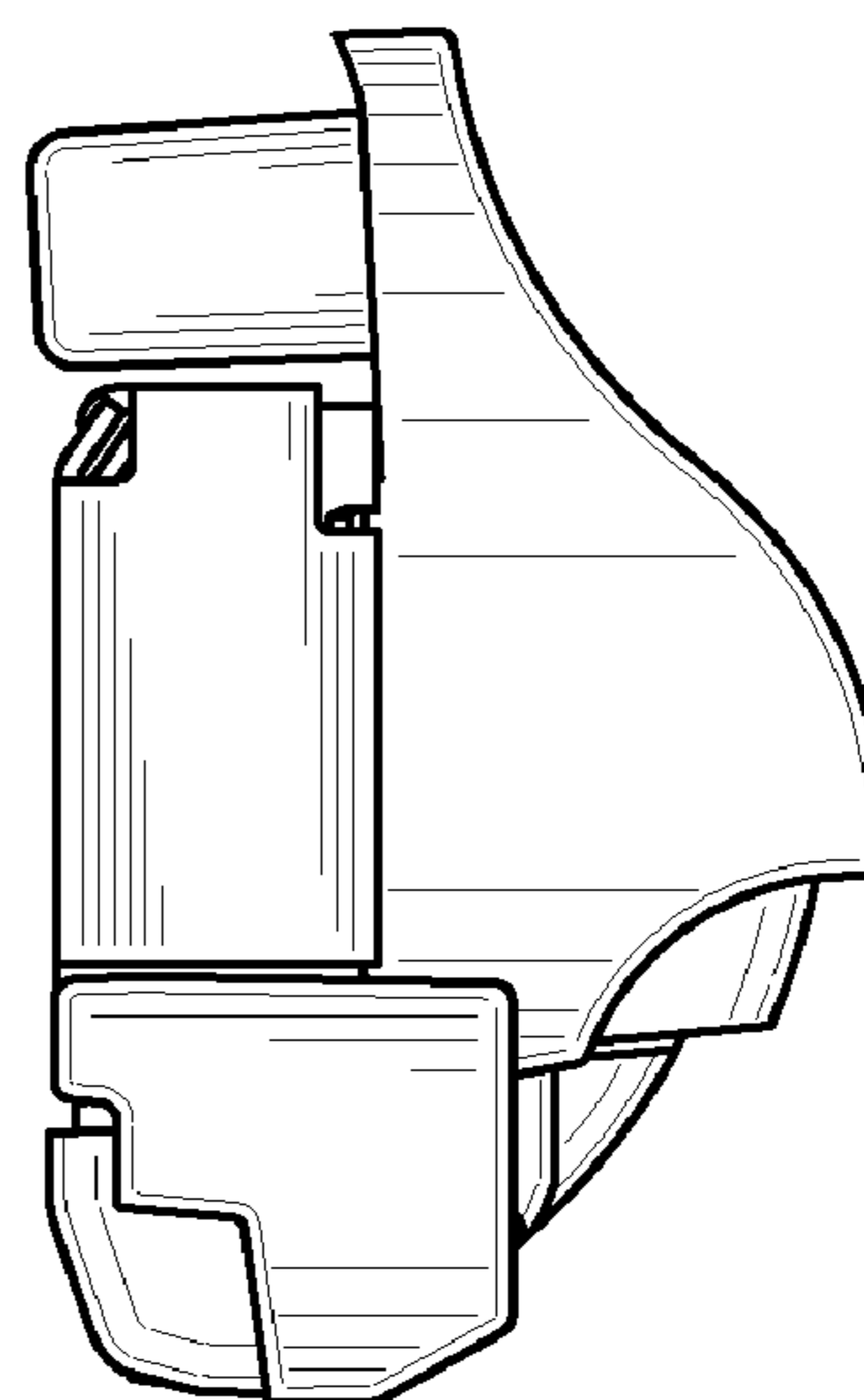
*FIG. 5*



*FIG. 6*



*FIG. 7*



*FIG. 8*