



US00D617941S

(12) **United States Design Patent**
Björkholm

(10) **Patent No.:** **US D617,941 S**
(45) **Date of Patent:** **** Jun. 15, 2010**

(54) **SNUFF BOX**

(76) **Inventor:** **Lars Björkholm**, Tuborg Sundpark 12,
Hellerup (DK) DK-2900

(**) **Term:** **14 Years**

(21) **Appl. No.:** **29/333,949**

(22) **Filed:** **Mar. 18, 2009**

(51) **LOC (9) Cl.** **27-02**

(52) **U.S. Cl.** **D27/172; D27/189; D27/190**

(58) **Field of Classification Search** **D27/172,**
D27/189, 190; 131/329; 206/242; D9/504
See application file for complete search history.

(56) **References Cited**

U.S. PATENT DOCUMENTS

D2,961 S *	3/1868	Bull	D27/190
D3,443 S *	4/1869	Parker	D27/190
D114,760 S *	5/1939	Johnson	D27/189
D120,559 S *	5/1940	Vendig	D27/189
D494,474 S *	8/2004	Houk et al.	D27/190
D563,596 S *	3/2008	Neias	D27/189
D599,953 S *	9/2009	Gibson et al.	D27/190
D600,855 S *	9/2009	Krohn	D27/189

* cited by examiner

Primary Examiner—Dominic Simone

(74) *Attorney, Agent, or Firm*—Nixon & Vanderhye, P.C.

(57) **CLAIM**

The ornamental design for a “snuff box,” as shown and described.

DESCRIPTION

FIG. 1 is a top plan view of a snuff box in accordance with my new design;

FIG. 2 is a left edge view thereof;

FIG. 3 is a front elevation view thereof;

FIG. 4 is a left side elevation view thereof; the right side being a mirror image thereof;

FIG. 5 is a rear elevation view thereof;

FIG. 6 is a bottom plan view thereof;

FIG. 7 is a top right front perspective view thereof;

FIG. 8 is a top plan view of a second embodiment of the snuff box of FIG. 1;

FIG. 9 is a left edge view thereof;

FIG. 10 is a front elevation view thereof;

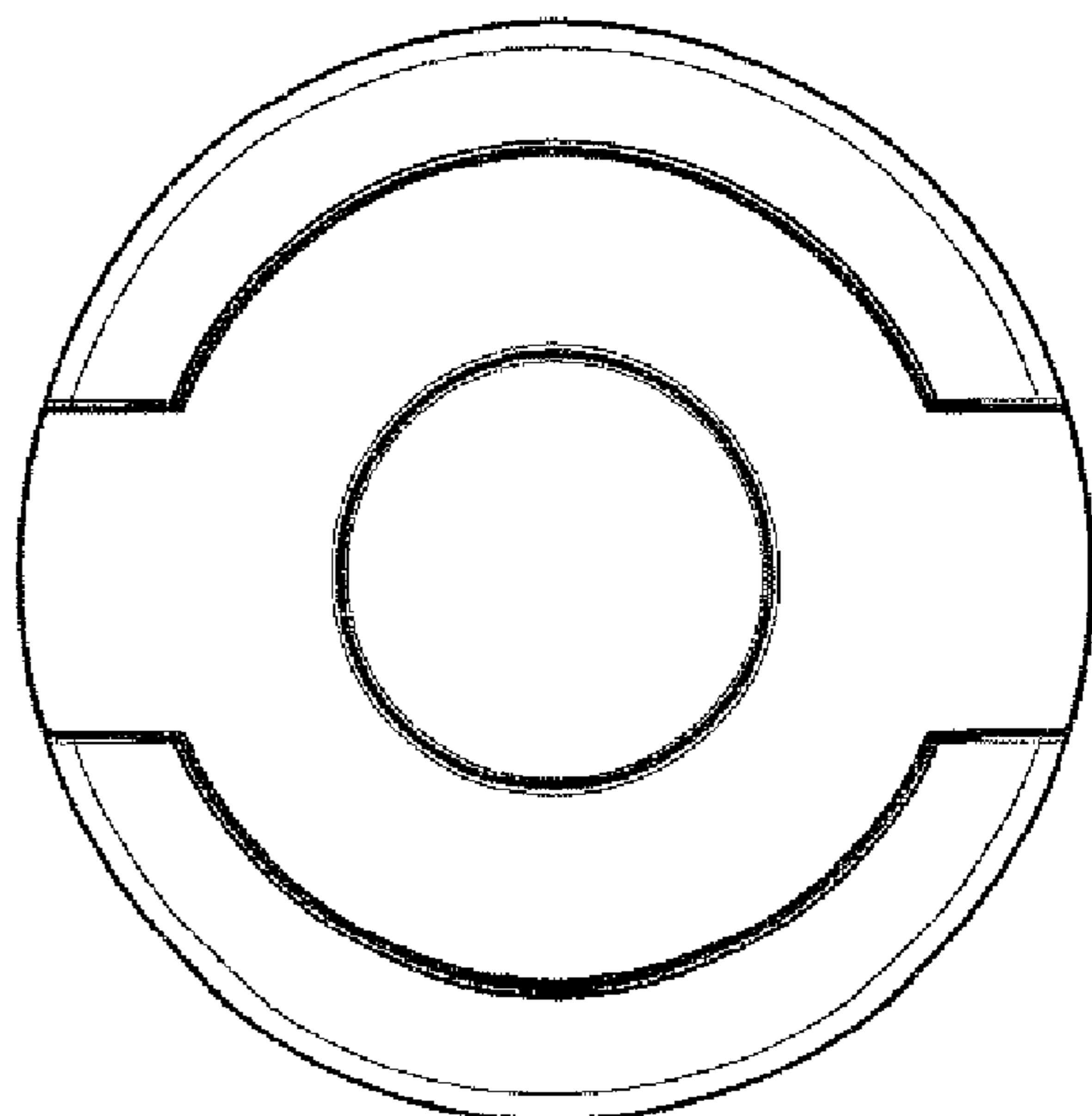
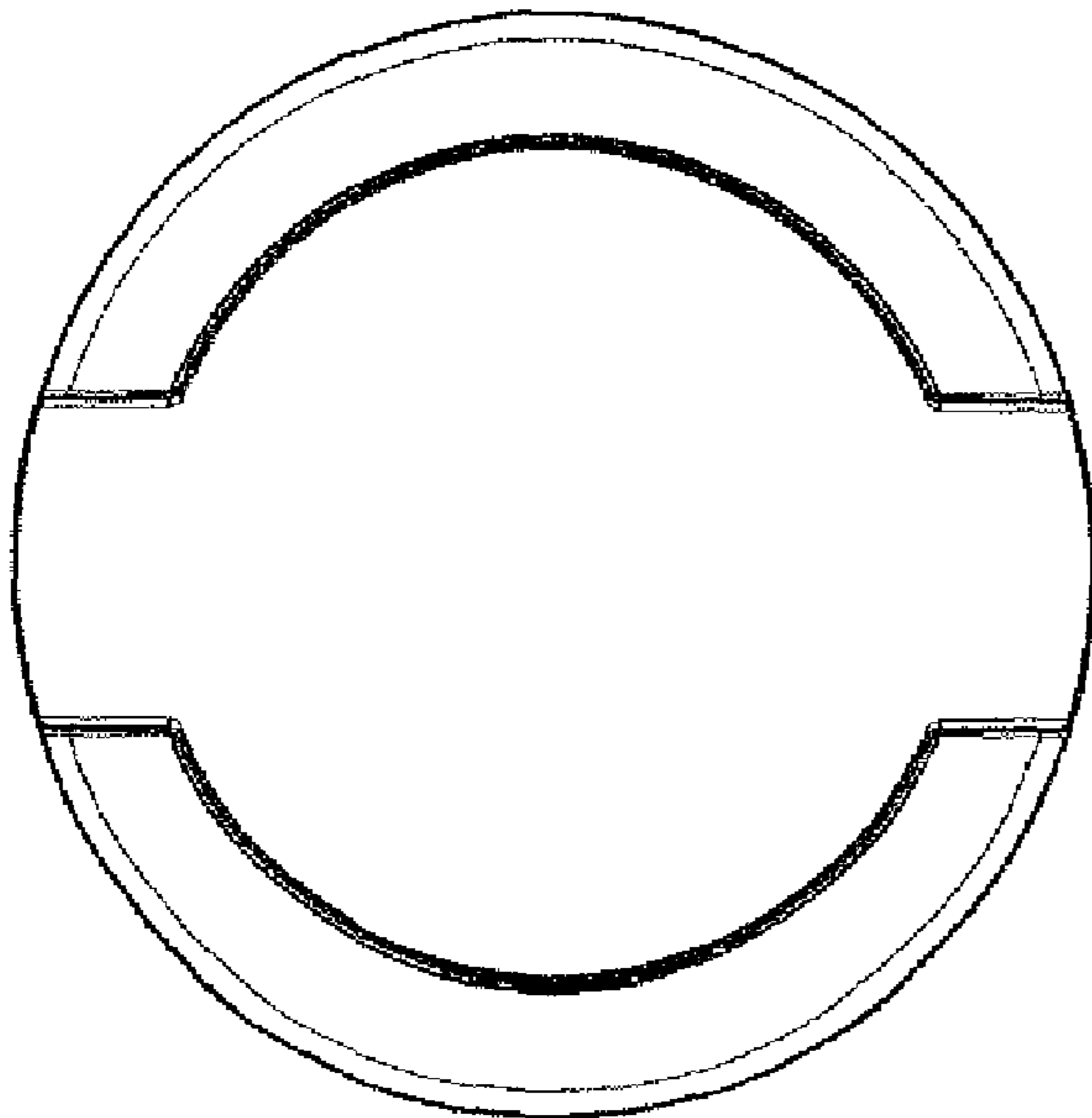
FIG. 11 is a left side elevation view thereof; the right side being a mirror image thereof;

FIG. 12 is a rear elevation view thereof;

FIG. 13 is a bottom plan view thereof; and,

FIG. 14 is a top right front perspective view thereof.

1 Claim, 2 Drawing Sheets



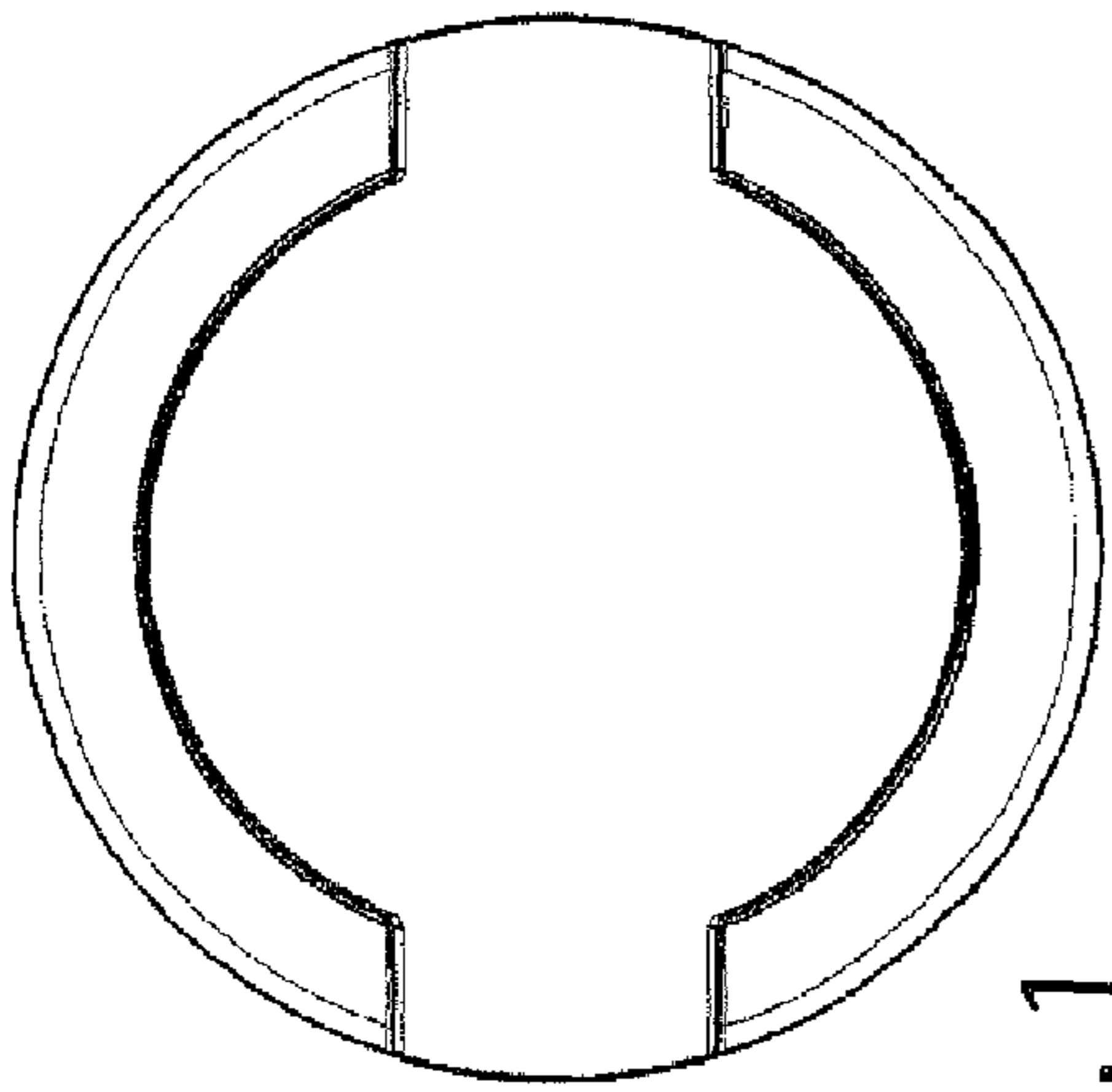


FIG. 1

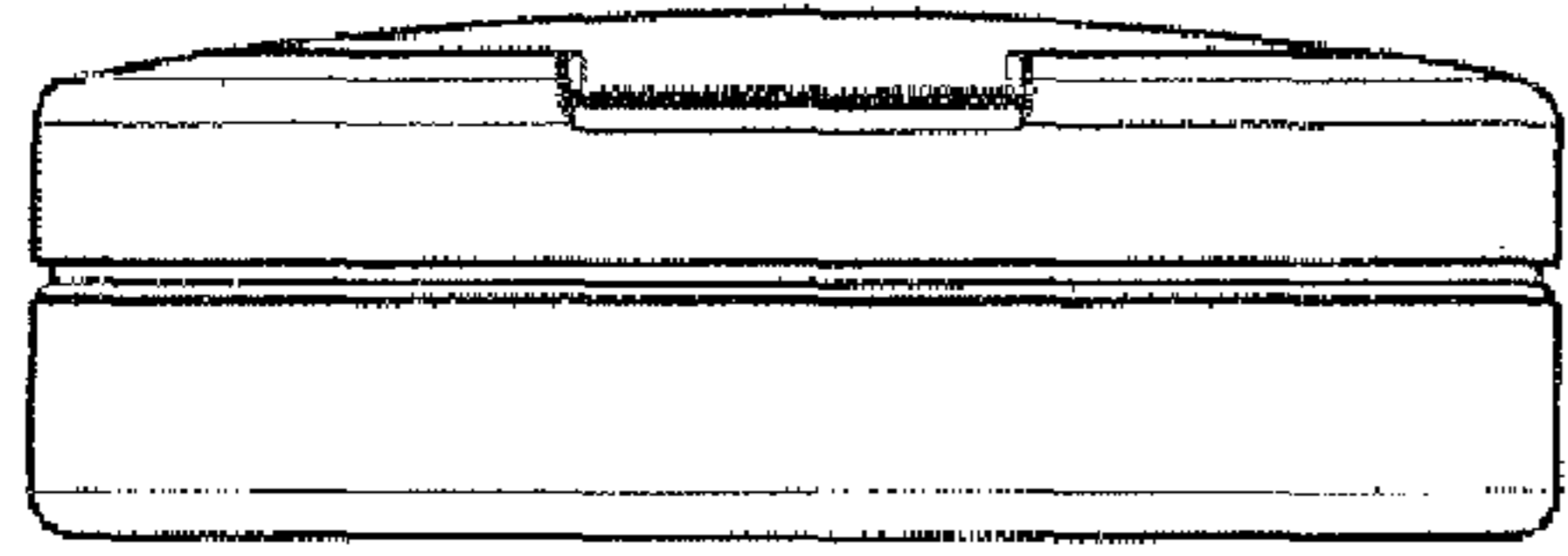


FIG. 2

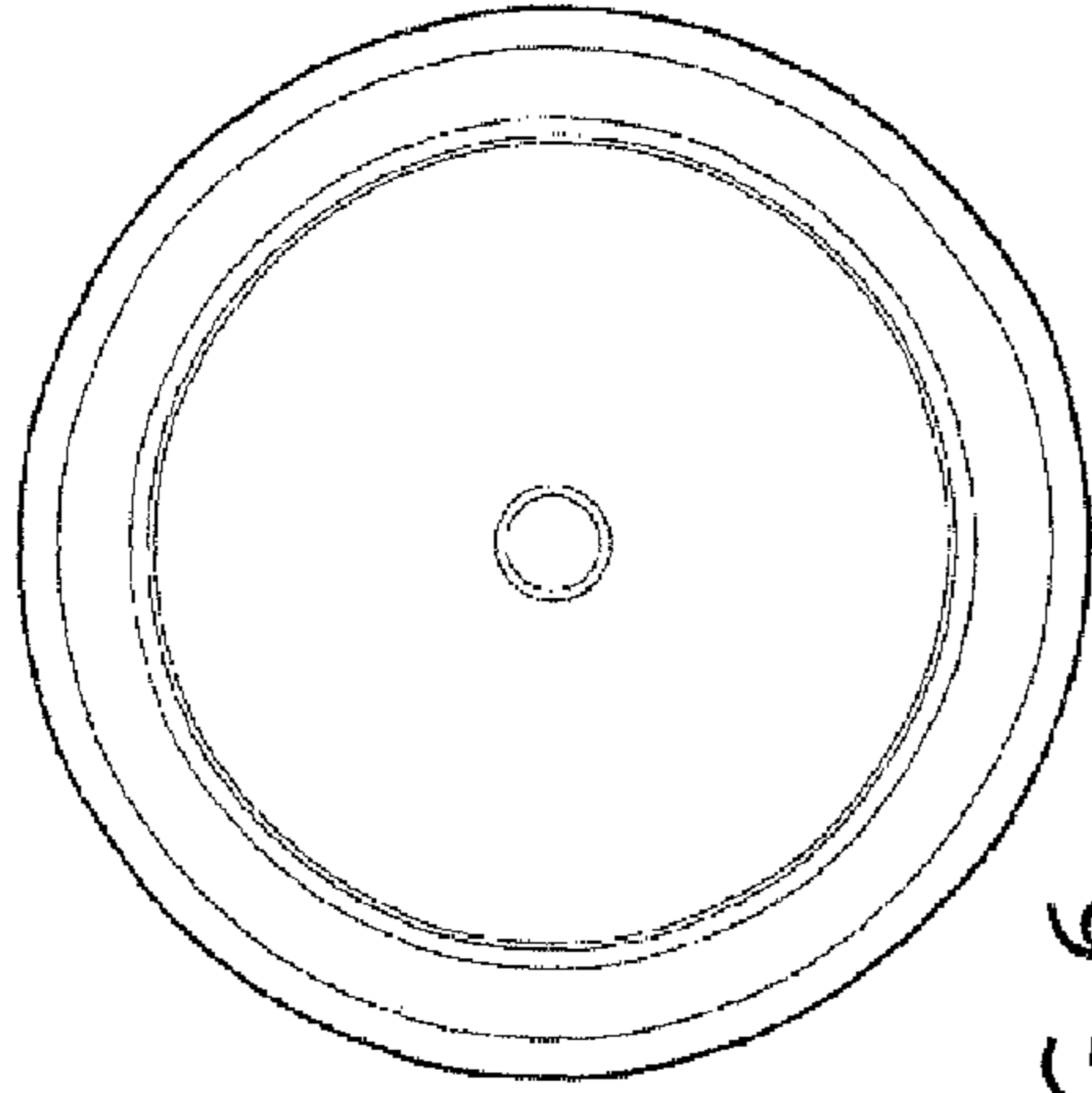


FIG. 6

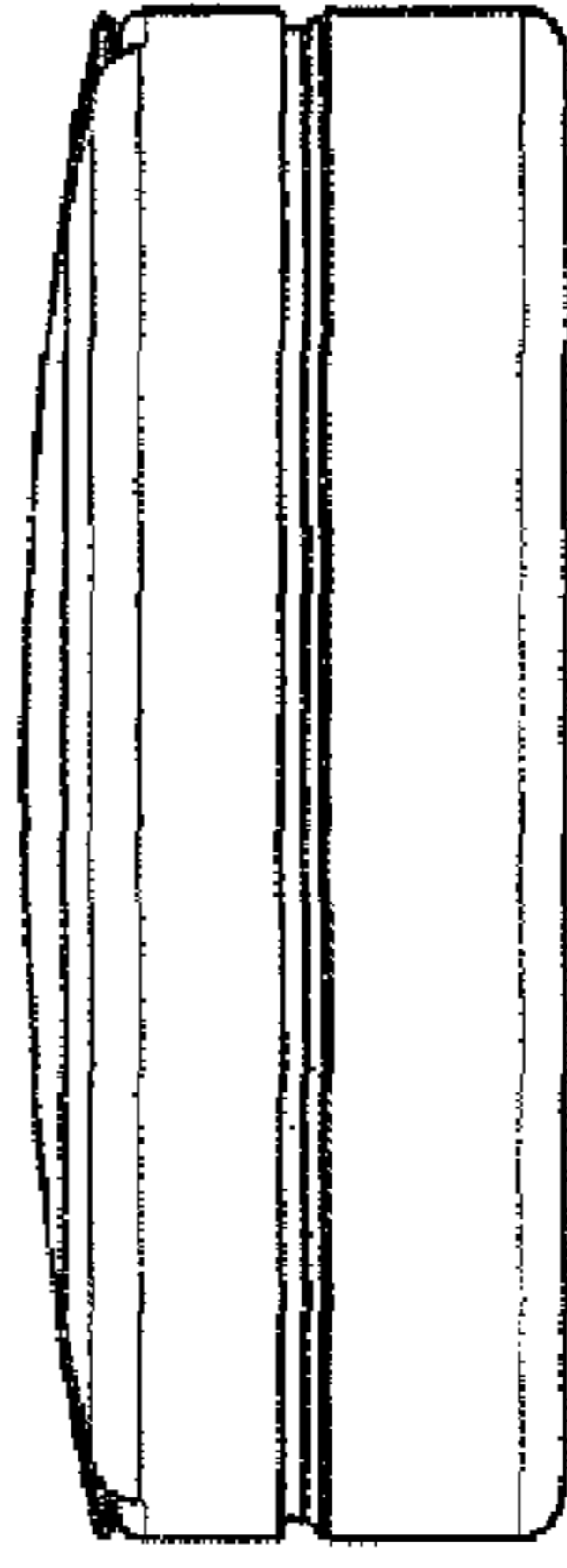


FIG. 3

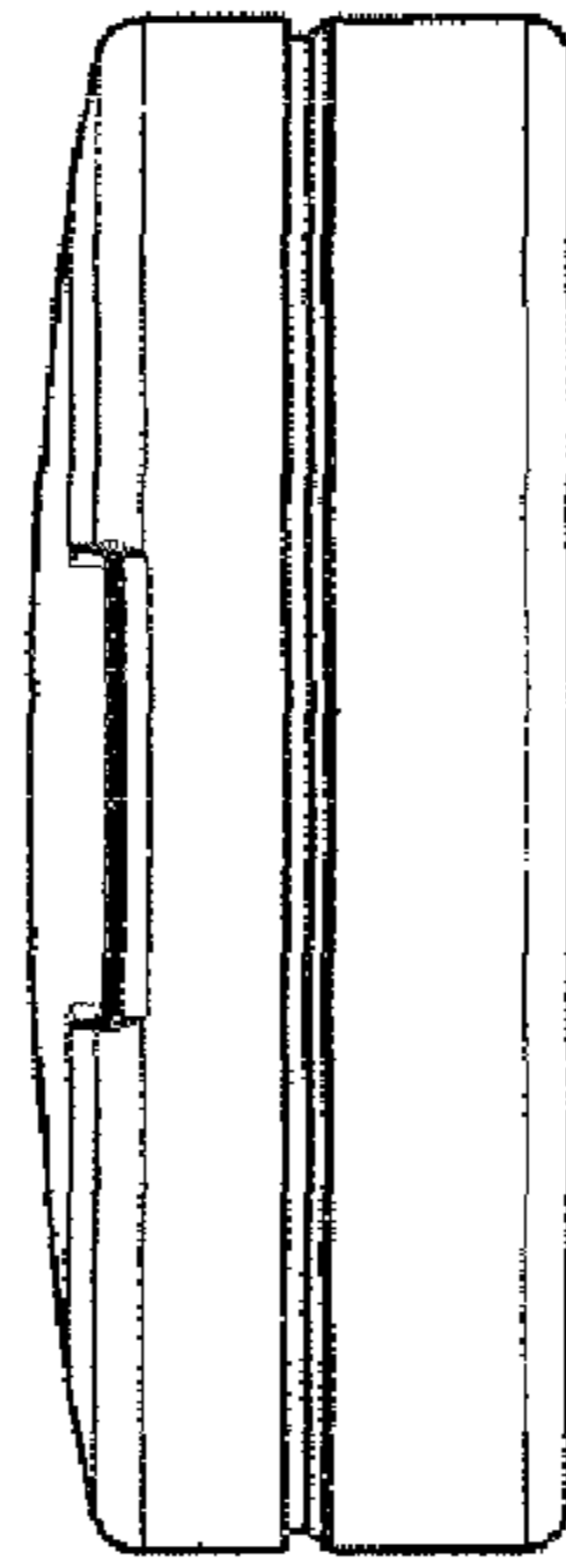


FIG. 4

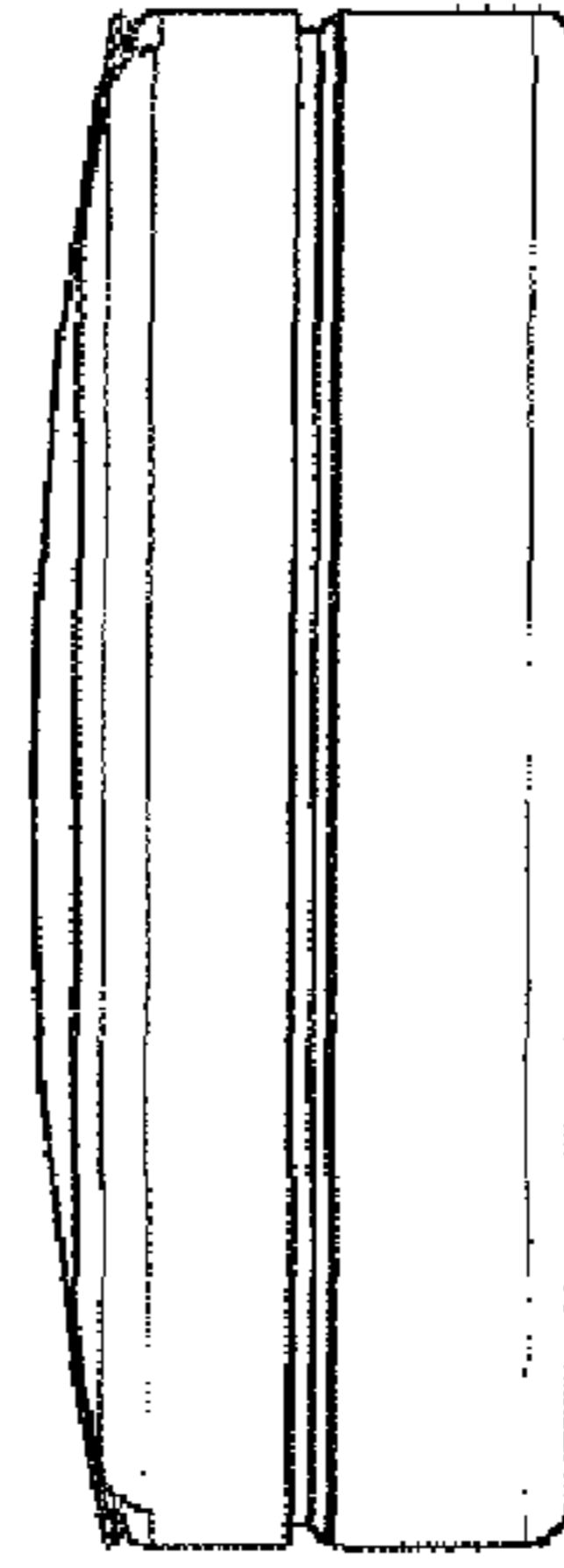


FIG. 5

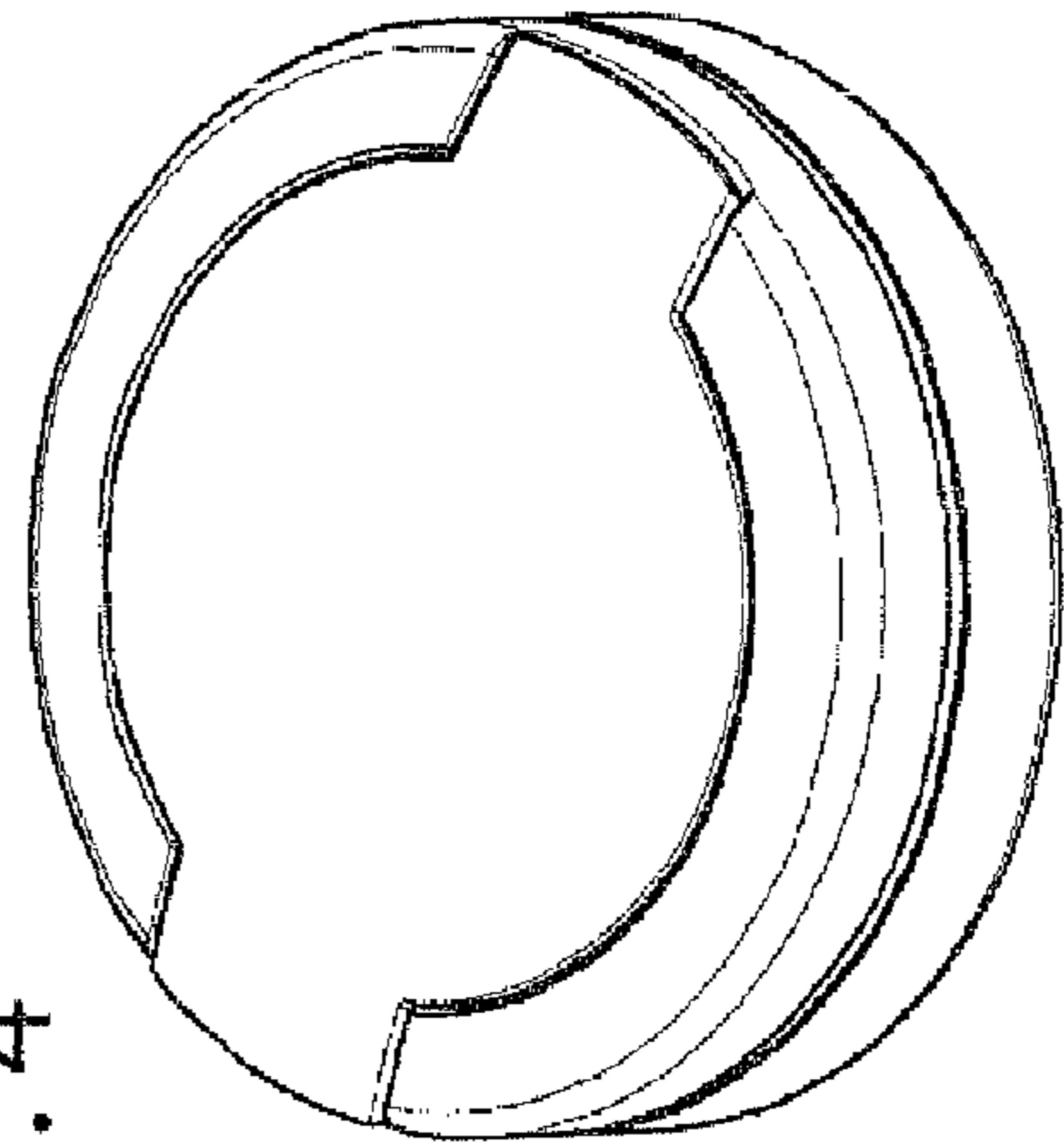


FIG. 7

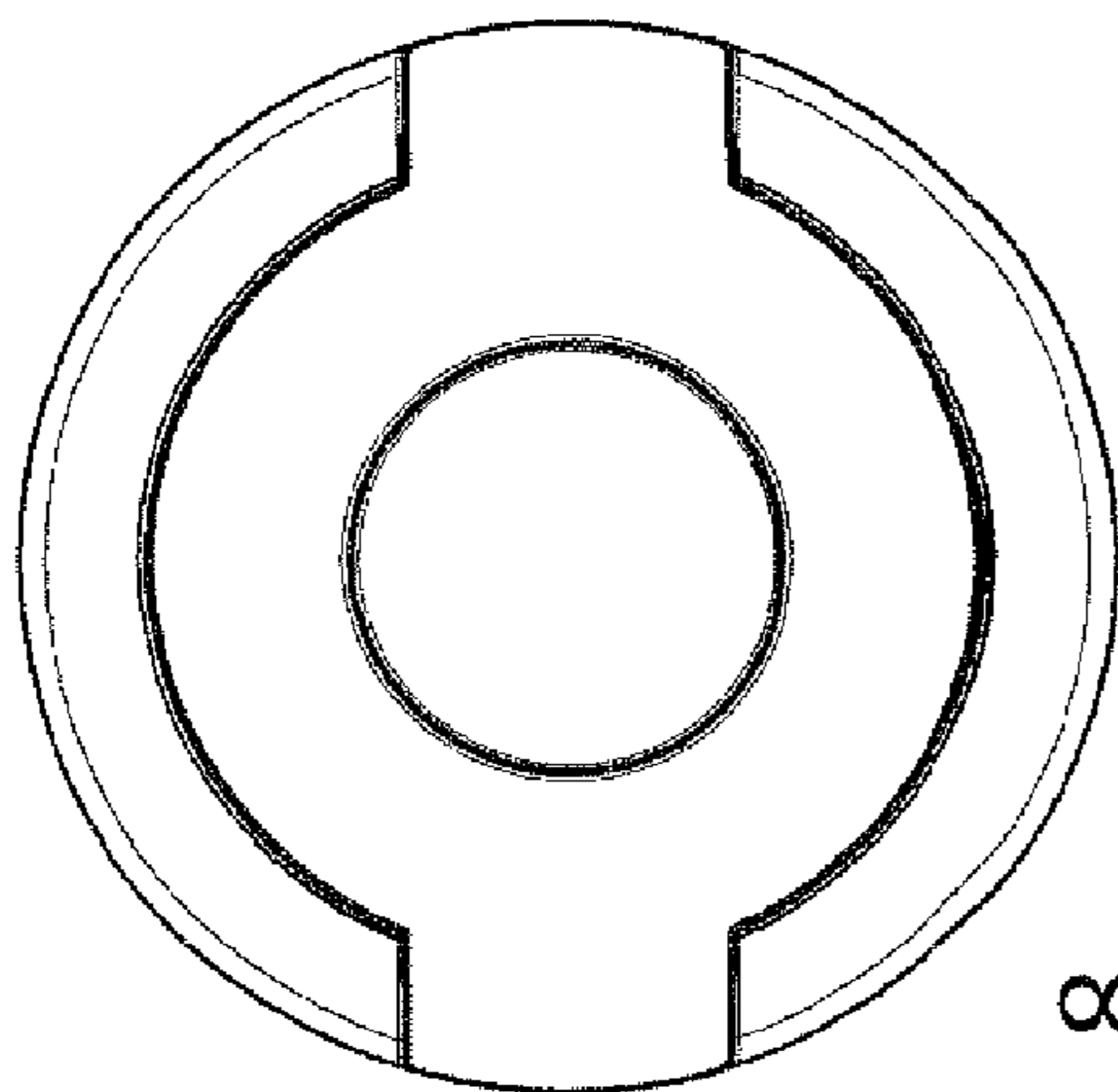


FIG. 8

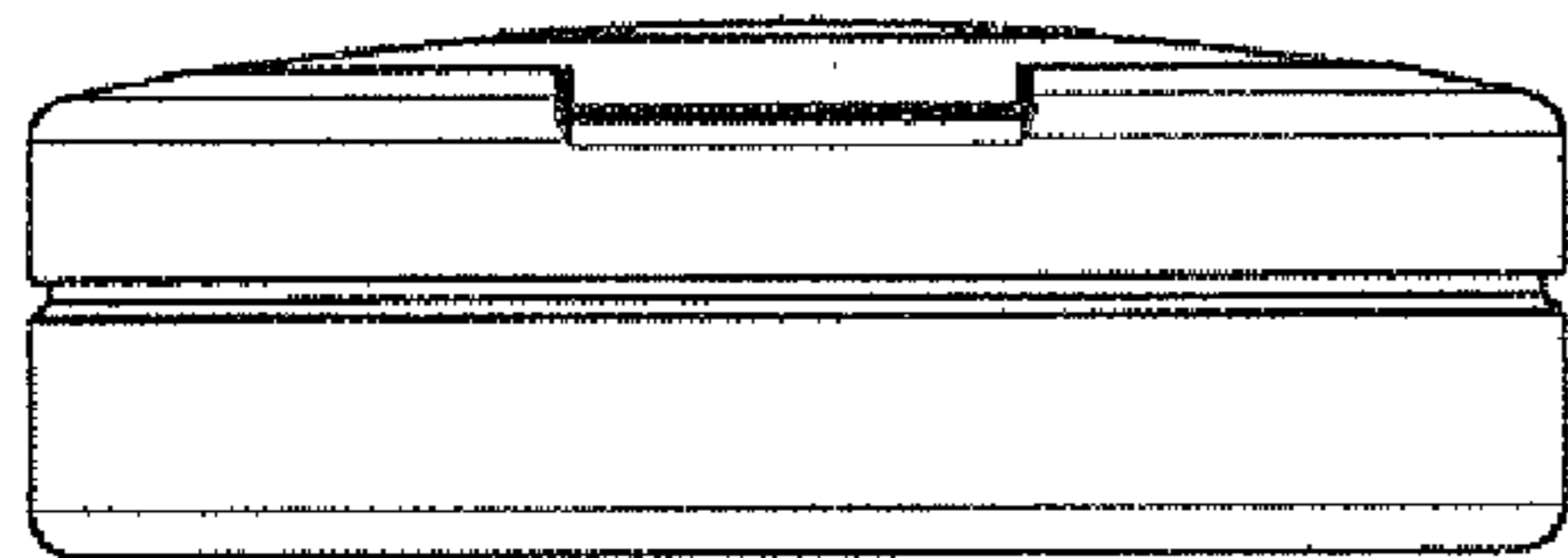


FIG. 9

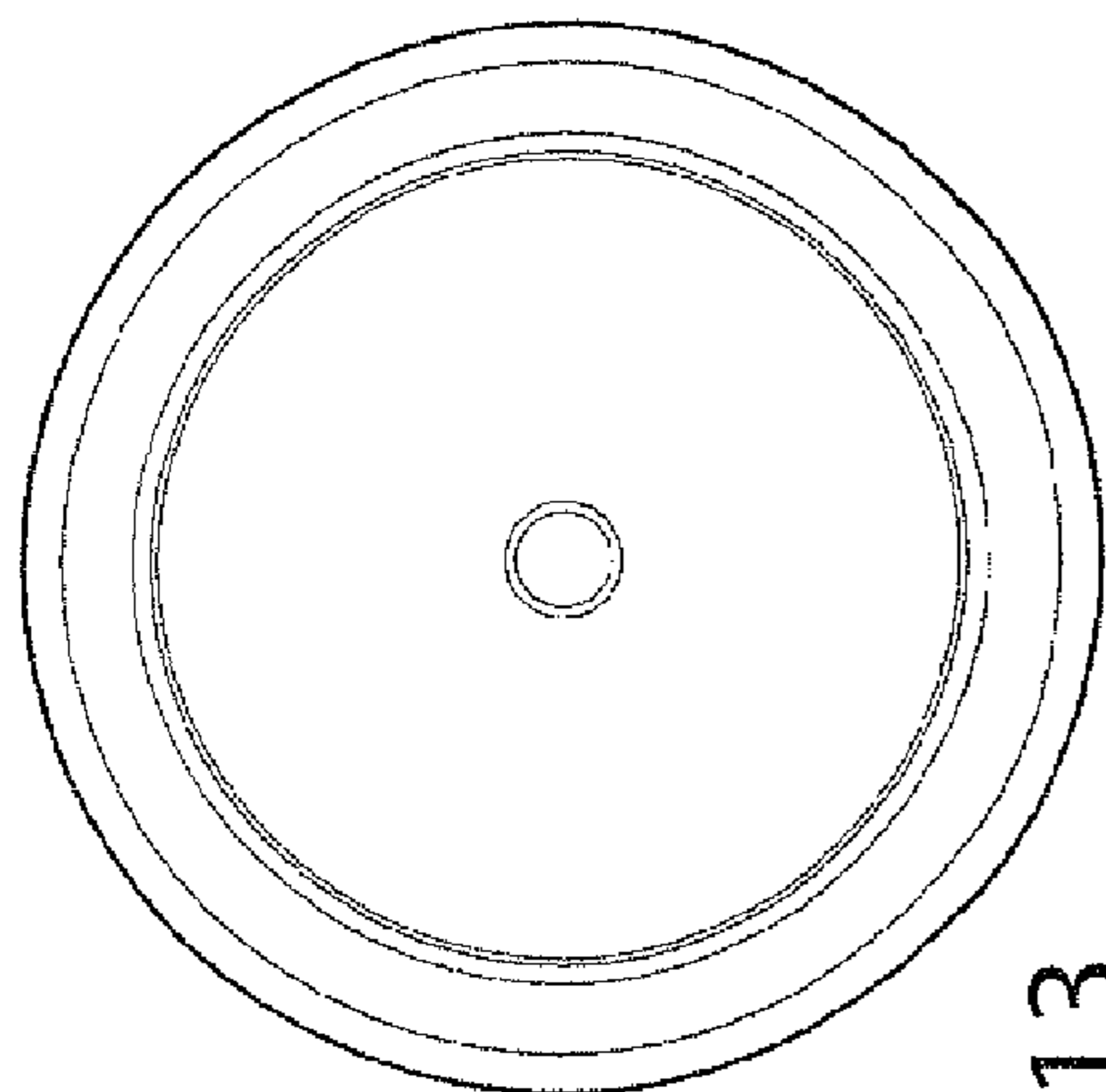


FIG. 13

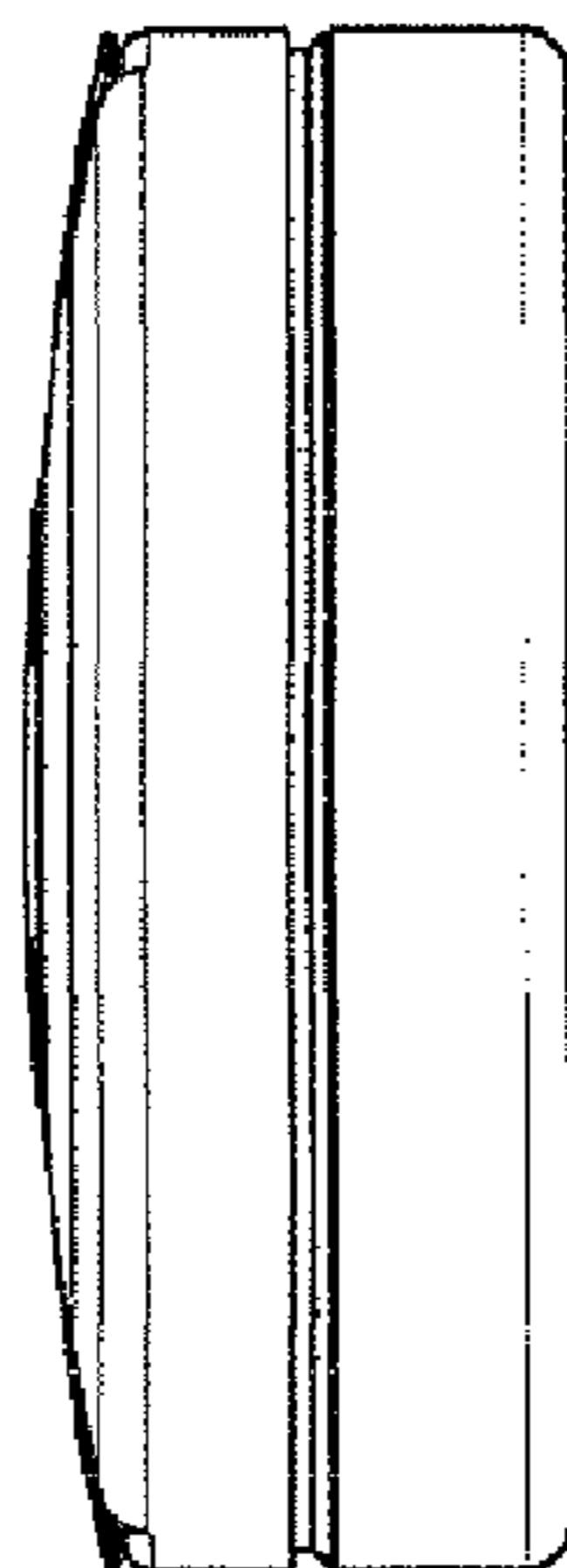


FIG. 10

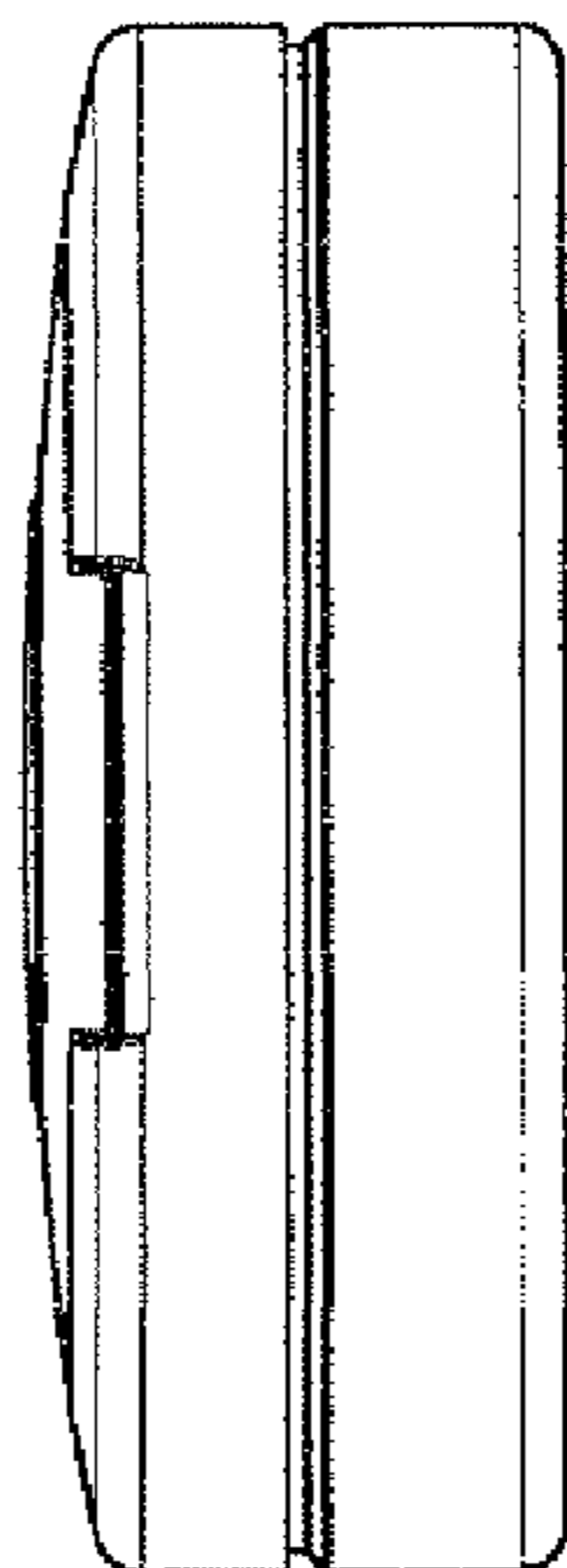


FIG. 11

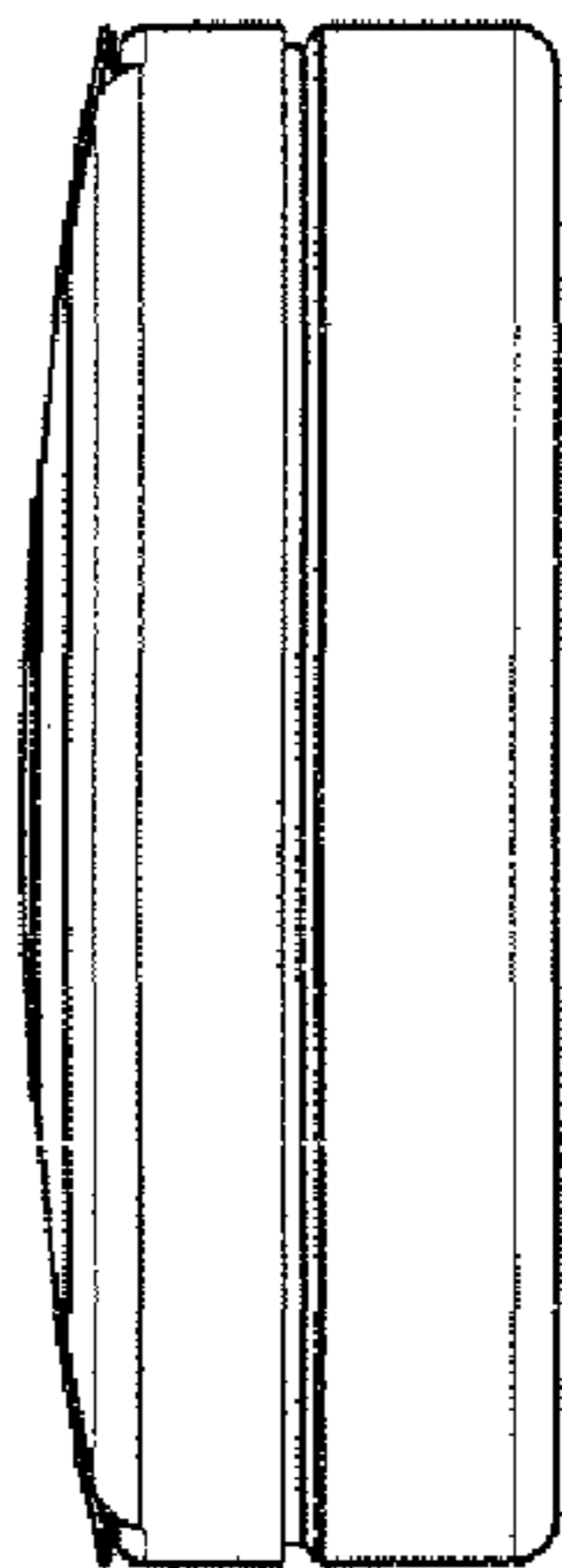


FIG. 12

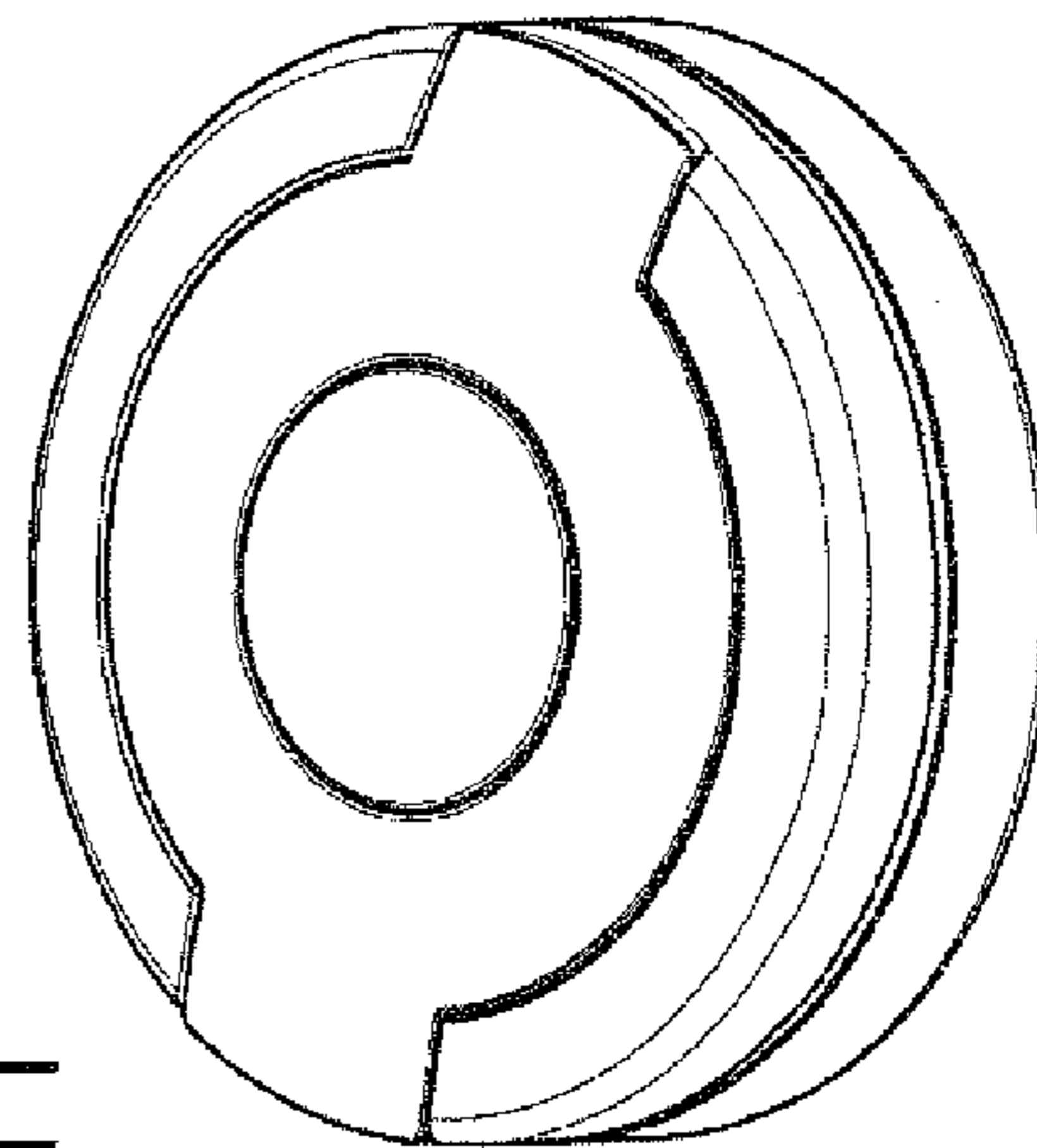


FIG. 14