



US00D617939S

(12) **United States Design Patent**
Mansour et al.

(10) **Patent No.:** **US D617,939 S**
(45) **Date of Patent:** **** Jun. 15, 2010**

(54) **FEMALE HOOKA TIP**

(75) Inventors: **Johnny Y. Mansour**, Calabasas, CA
(US); **Ivan Ablakhat**, Calabasas, CA
(US)

(73) Assignee: **Tigris Enterprises, LLC**, Beverly Hills,
CA (US)

(**) Term: **14 Years**

(21) Appl. No.: **29/315,869**

(22) Filed: **Jul. 31, 2009**

(51) **LOC (9) Cl.** **27-02**

(52) **U.S. Cl.** **D27/169**

(58) **Field of Classification Search** D27/162,
D27/166, 167, 169, 170; 131/187, 222, 227-229
See application file for complete search history.

(56) **References Cited**

U.S. PATENT DOCUMENTS

222,841	A *	12/1879	Robinson	131/187
1,510,833	A *	10/1924	Dales	131/229
1,816,139	A *	7/1931	Aster	131/227
2,169,310	A *	8/1939	Wertheimer	131/361
2,670,742	A *	3/1954	Howard	131/187
2,696,214	A *	12/1954	Swenson	131/229
D181,614	S *	12/1957	Taylor	D27/169

D219,566	S *	12/1970	Fish	D27/169
3,863,649	A *	2/1975	Scharfy	131/222
4,209,026	A *	6/1980	Dock	131/187
5,819,752	A *	10/1998	Steele	131/227
6,418,937	B1 *	7/2002	Cristiano	131/227
D543,312	S *	5/2007	Guan	D27/170

* cited by examiner

Primary Examiner—Dominic Simone

(74) *Attorney, Agent, or Firm*—Thomas I. Rozsa

(57) **CLAIM**

The ornamental design for a female hooka tip, as shown and described.

DESCRIPTION

FIG. 1 is a perspective view of the female hooka tip, showing my design;

FIG. 2 is a top plan view thereof;

FIG. 3 is a bottom plan view thereof;

FIG. 4 is a side elevational view when viewed from the right side;

FIG. 5 is a side elevational view when viewed from the left side;

FIG. 6 is a front end view; and,

FIG. 7 is a rear end view thereof.

1 Claim, 7 Drawing Sheets

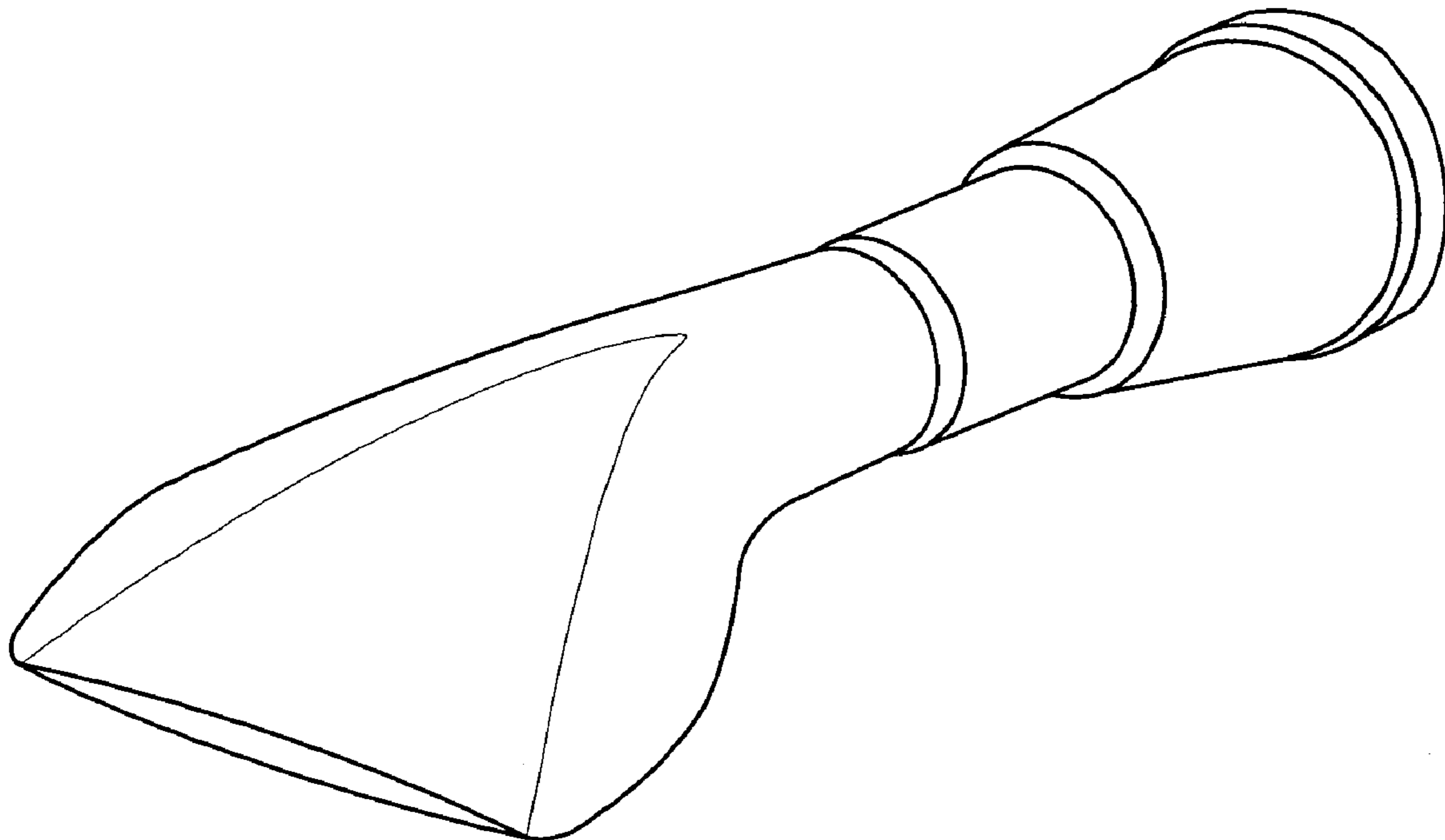


FIG-1

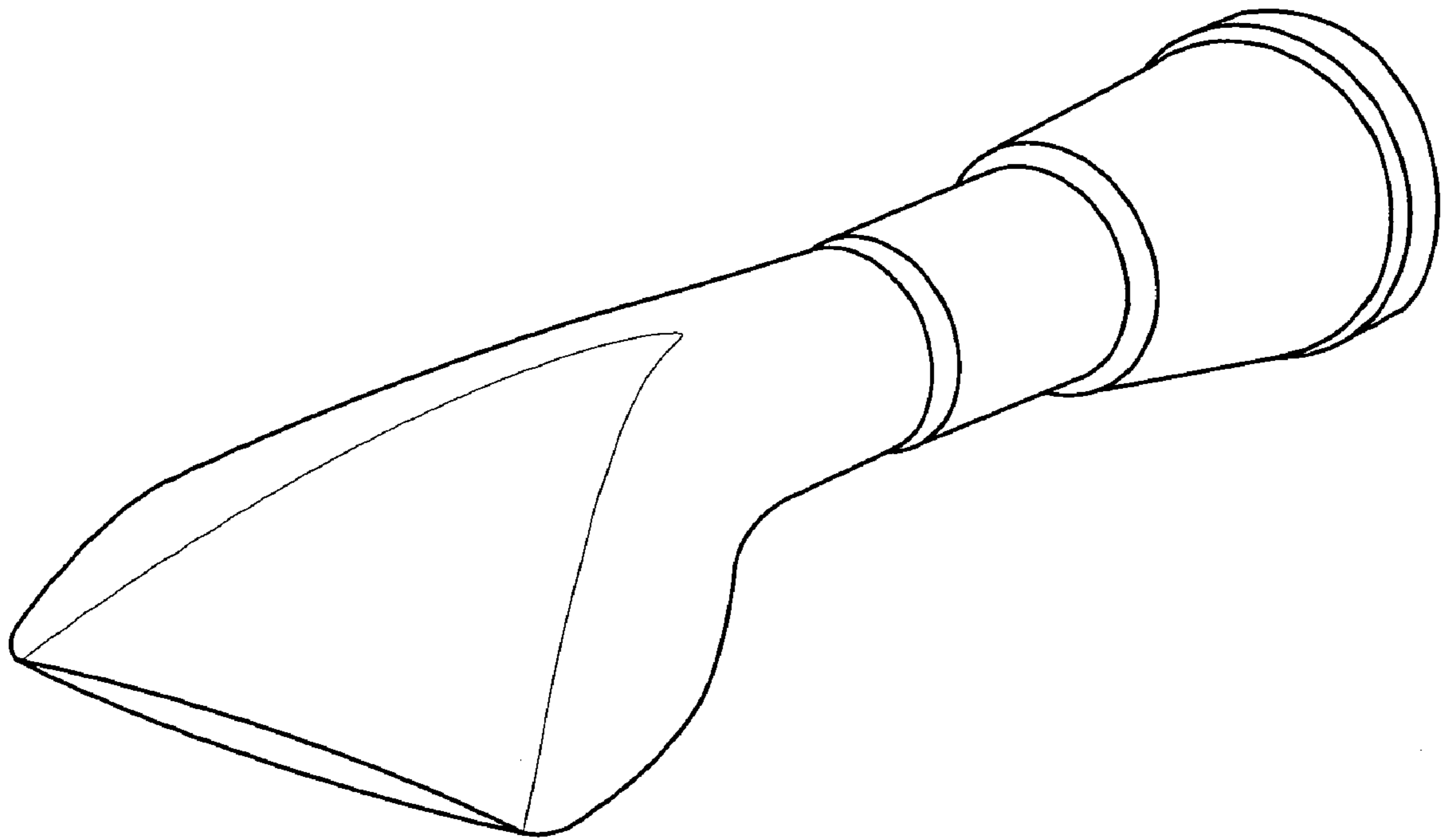


FIG-2

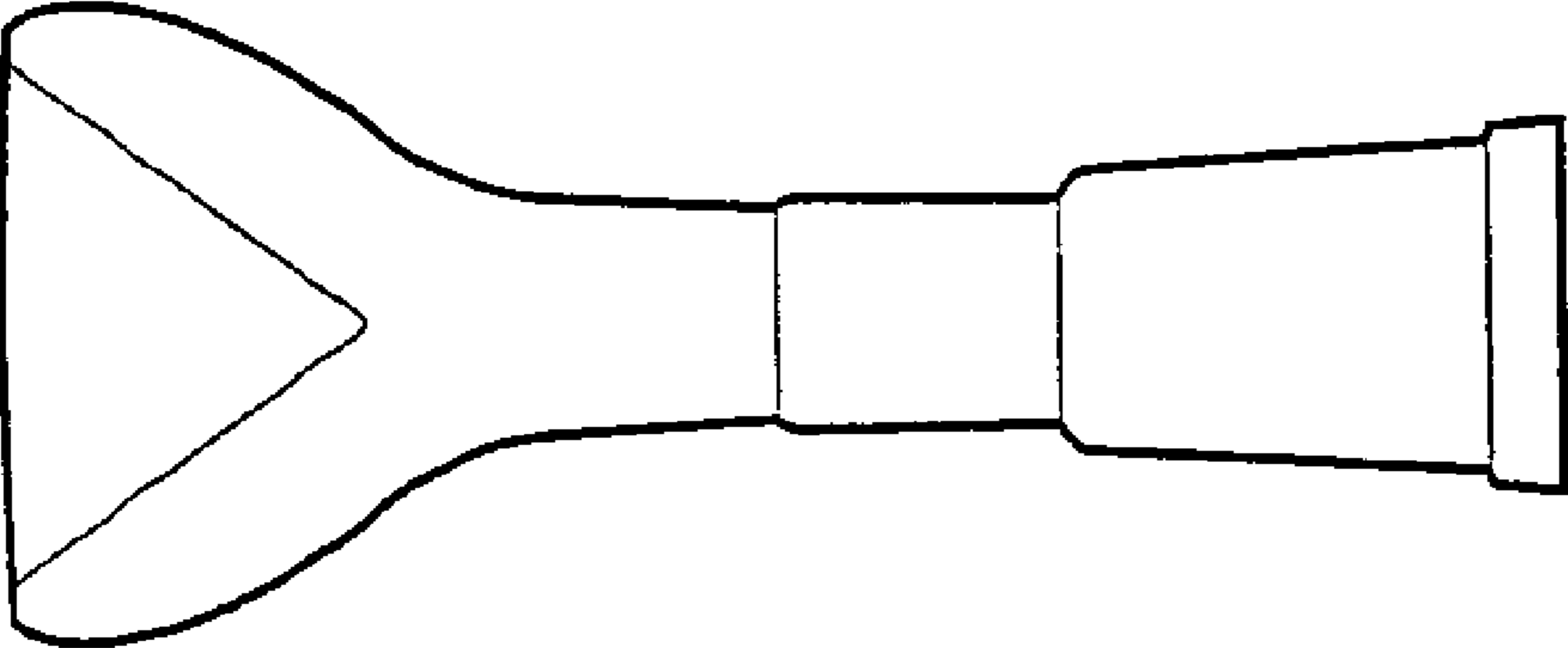


FIG-3

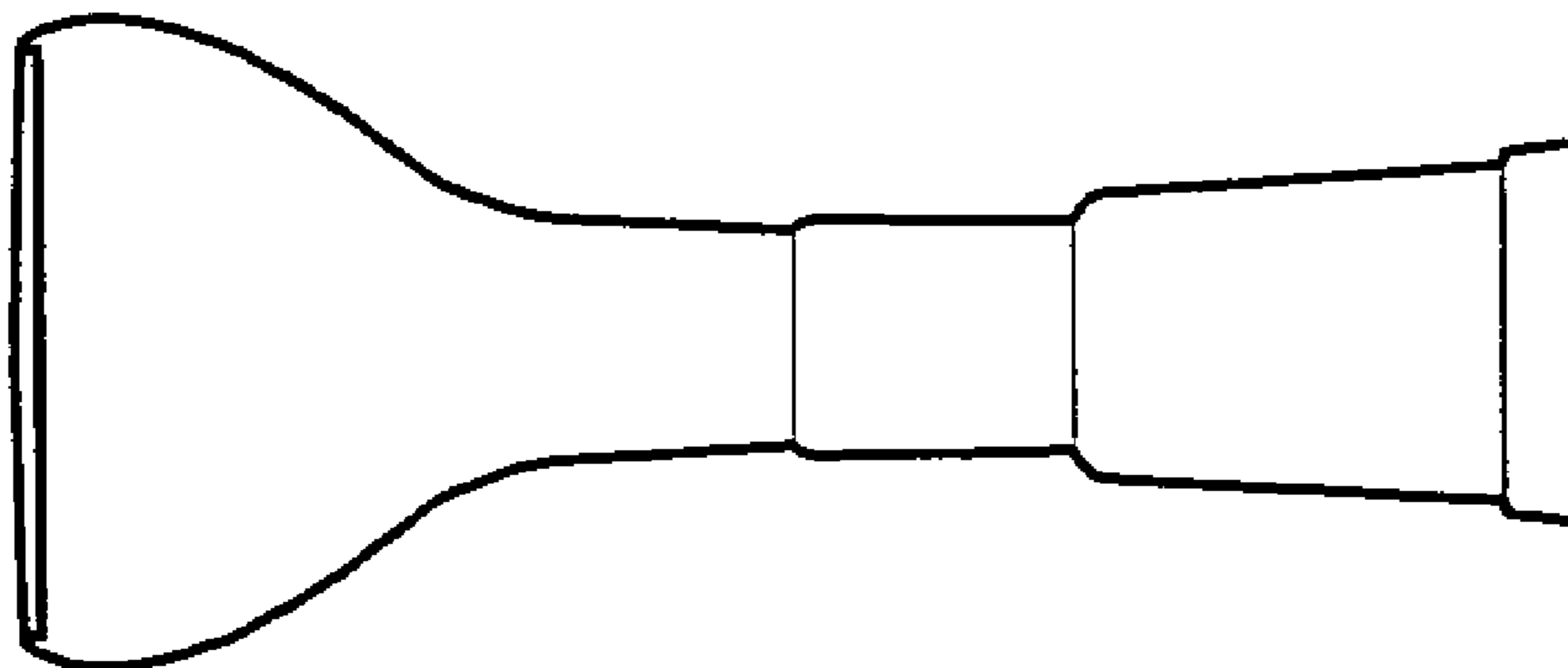


FIG-4

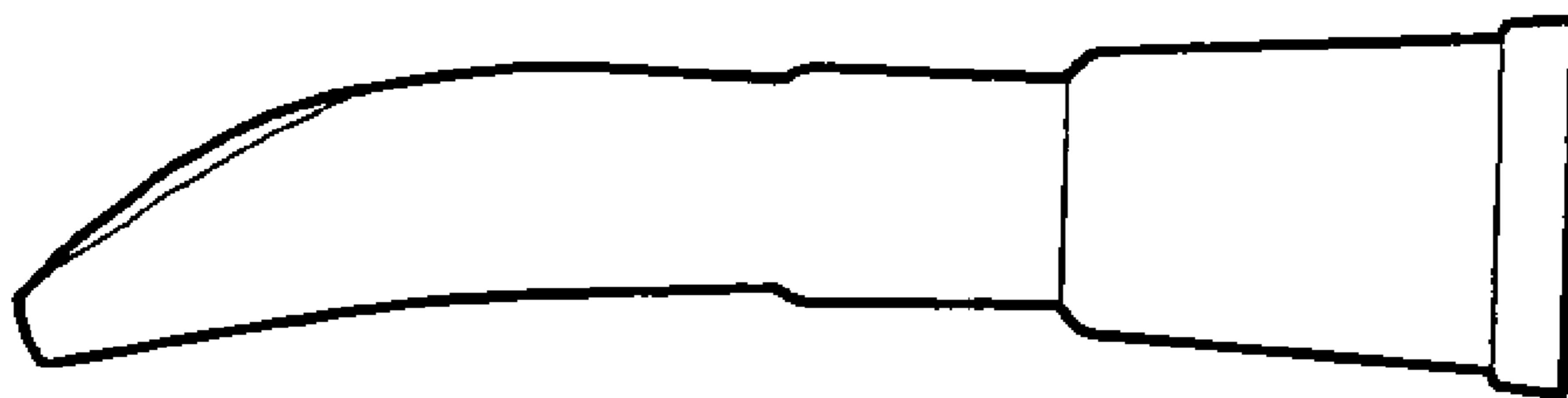


FIG-5

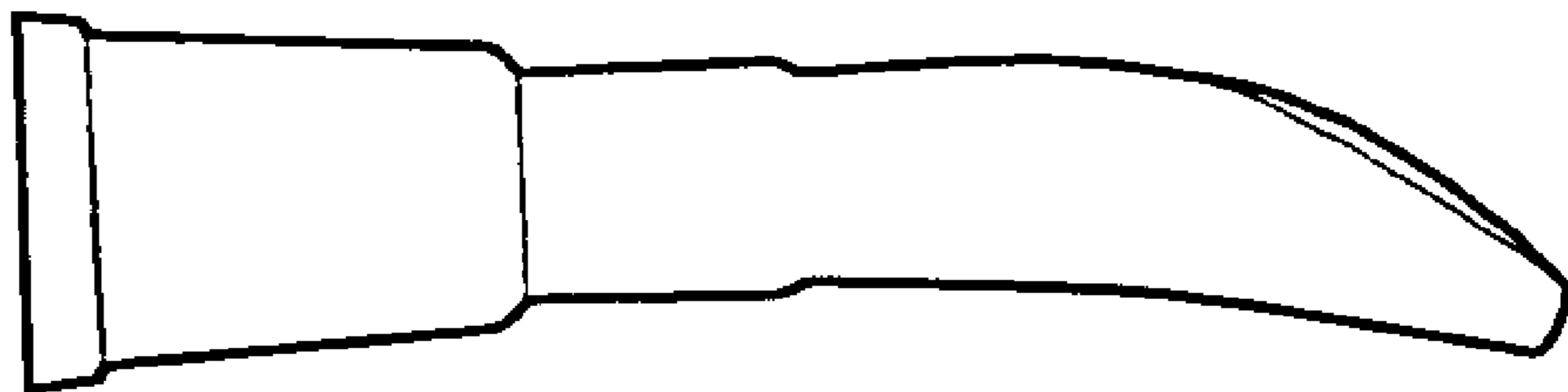


FIG-6

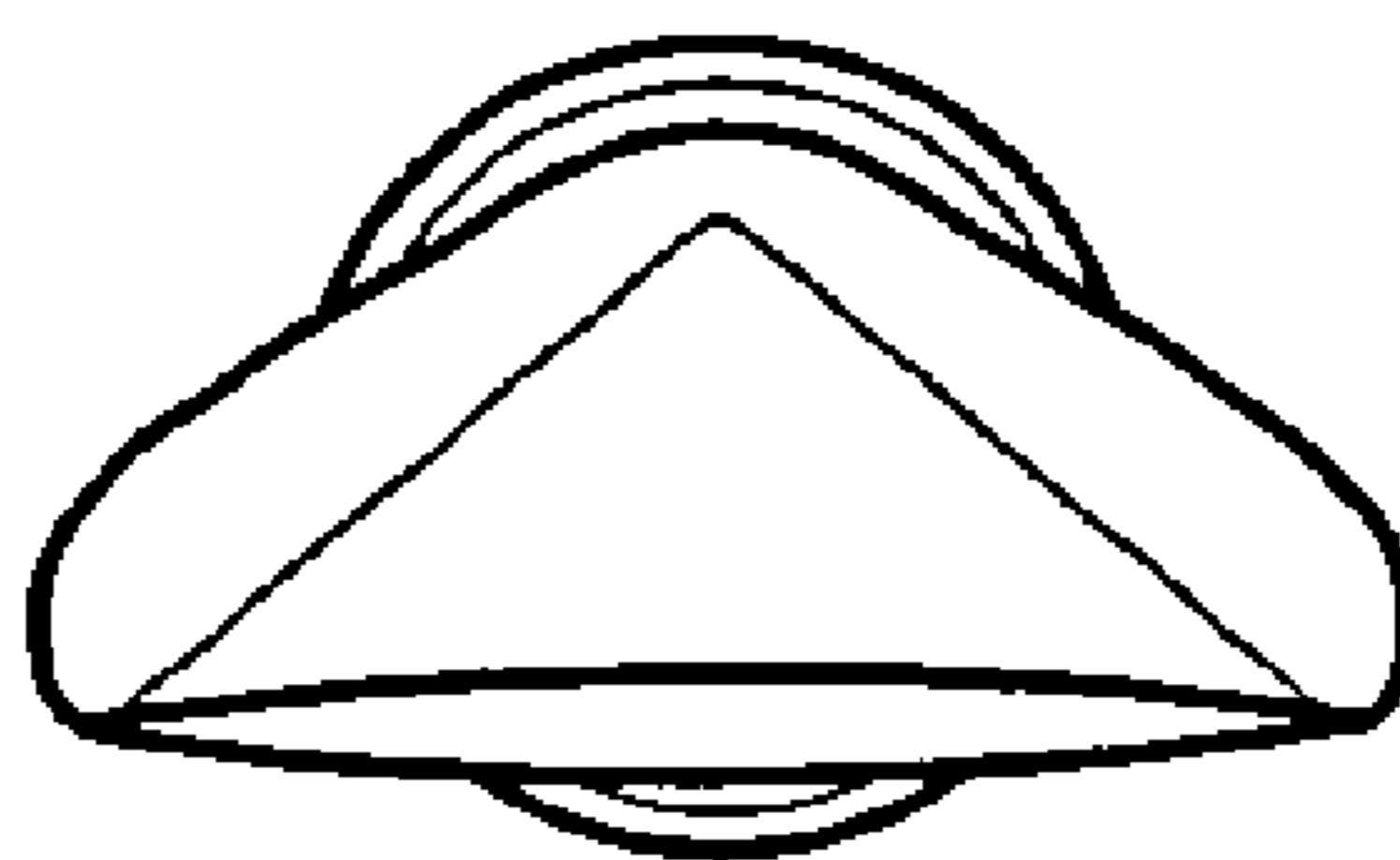


FIG-7

