



US00D617936S

(12) **United States Design Patent**  
**Fanning**

(10) **Patent No.:** **US D617,936 S**  
(45) **Date of Patent:** **\*\* Jun. 15, 2010**

(54) **LIGHT MODULE**

(76) Inventor: **Douglas Fanning**, 350 W. 47th St., Apt. 5B, New York, NY (US) 10036

(\*\*) Term: **14 Years**

(21) Appl. No.: **29/337,384**

(22) Filed: **May 20, 2009**

D372,320 S *	7/1996	Brady	.....	D26/68
D374,736 S	10/1996	DeWinter		
D374,737 S	10/1996	Can		
5,607,225 A	3/1997	Halvatzis		
D397,480 S *	8/1998	Herst et al.	.....	D26/77
D397,818 S	9/1998	Herst		
D401,000 S *	11/1998	Herst	.....	D26/76
D442,312 S *	5/2001	Metcheat, III	.....	D26/68
D443,382 S	6/2001	Vong et al.		

**Related U.S. Application Data**

(62) Division of application No. 29/319,369, filed on Jun. 6, 2008, now Pat. No. Des. 594,588, which is a division of application No. 29/225,082, filed on Mar. 10, 2005, now Pat. No. Des. 573,299.

(51) **LOC (9) Cl.** ..... **26-99**

(52) **U.S. Cl.** ..... **D26/118**

(58) **Field of Classification Search** ..... 362/577, 362/171, 178, 217.01, 218, 219; D26/76, D26/93, 80, 183, 138, 118, 128, 60, 72, 77, D26/81, 83, 85, 86, 87, 109, 113, 119, 120, D26/121, 129, 142, 155; D6/308, 394, 395, D6/499, 495; D8/354; D11/140, 141, 155; D16/242, 244; D25/61, 66, 68, 108, 118, D25/122, 126, 129, 136, 164

See application file for complete search history.

(56) **References Cited**

**U.S. PATENT DOCUMENTS**

D150,830 S	9/1948	Duepner		
D226,626 S *	4/1973	Sundstrom	.....	D26/80
3,737,654 A	6/1973	Hawley		
D232,257 S	7/1974	Paulson		
D240,156 S *	6/1976	Von Serda	.....	D26/128
4,420,798 A	12/1983	Herst		
4,587,754 A	5/1986	Ossner		
D293,030 S	12/1987	Vladescu		
5,038,257 A *	8/1991	Agabekov	.....	362/219
5,145,248 A	9/1992	Chuan		
D348,951 S *	7/1994	Porter	.....	D26/106
D356,382 S	3/1995	Jaksich		
D362,315 S *	9/1995	Herst et al.	.....	D26/76

(Continued)

**OTHER PUBLICATIONS**

Douglas Fanning, Jacob's Pillow Dance, Photographs taken Jul. 2002 at 358 George Carter Rd., Becket MA.

*Primary Examiner*—Cathron C Brooks

*Assistant Examiner*—Kevin K Rudzinski

(74) *Attorney, Agent, or Firm*—Ostrager Chong Flaherty & Broitman P.C.

(57) **CLAIM**

The ornamental design for a light module, as shown and described.

**DESCRIPTION**

FIG. 1 is a front, top, and left side perspective view of the light module;

FIG. 2 is a top plan view thereof;

FIG. 3 is a front elevational view thereof;

FIG. 4 is a bottom plan elevational view thereof;

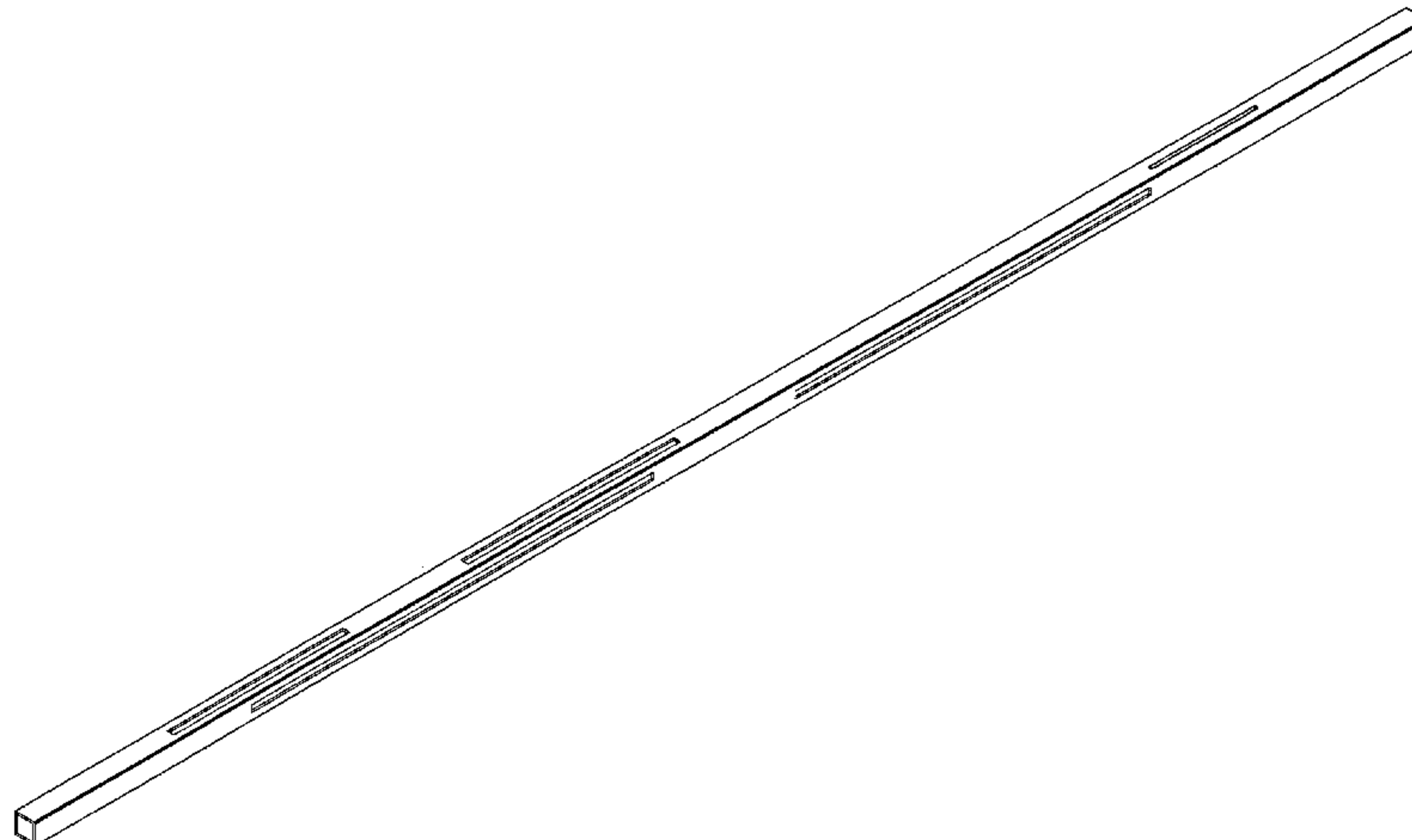
FIG. 5 is a rear elevational view thereof;

FIG. 6 is an enlarged right side view thereof; and,

FIG. 7 is an enlarged left side view thereof.

The broken lines shown are included for the purpose of illustration only and form no part of the claimed design.

**1 Claim, 2 Drawing Sheets**



# US D617,936 S

Page 2

## U.S. PATENT DOCUMENTS

6,337,945	B1	1/2002	Kingstone				
D465,292	S	11/2002	Ko				
D468,854	S	1/2003	Chen				
6,530,675	B1 *	3/2003	Van Etten	.....	362/267		
6,634,767	B2 *	10/2003	Huang	.....	362/235		
D484,271	S	12/2003	Chandler				
6,682,205	B2	1/2004	Lin				
D489,144	S *	4/2004	Dalton, Jr.	.....	D26/28		
D494,305	S *	8/2004	Crosby	.....	D26/118		
6,799,863	B2	10/2004	Offiler				
D498,324	S *	11/2004	Dolan	.....	D26/106		
D502,565	S	3/2005	Hetfield				
D503,241	S *	3/2005	Crosby	.....	D26/118		
6,863,423	B2	3/2005	Stone				
D505,221	S *	5/2005	Hetfield	.....	D26/76		
D511,222	S *	11/2005	Hetfield	.....	D26/76		
D513,439	S *	1/2006	Hetfield	.....	D26/76		
D520,667	S *	5/2006	Jae-Sung et al.	.....	D26/76		
D525,739	S	7/2006	Wu				
D527,136	S	8/2006	Biersach				
D543,651	S *	5/2007	Hargreaves	.....	D26/76		
D581,577	S *	11/2008	Baldele	.....	D26/104		
D583,978	S *	12/2008	Duffy et al.	.....	D26/85		
D595,007	S *	6/2009	Sabernig	.....	D26/85		
D597,699	S *	8/2009	Flaherty et al.	.....	D26/68		
2002/0118536	A1 *	8/2002	Wu	.....	362/219		
2003/0021115	A1 *	1/2003	Sloan et al.	.....	362/240		
2004/0179372	A1	9/2004	Guerrieri				
2006/0109667	A1 *	5/2006	Flaherty et al.	.....	362/431		

\* cited by examiner

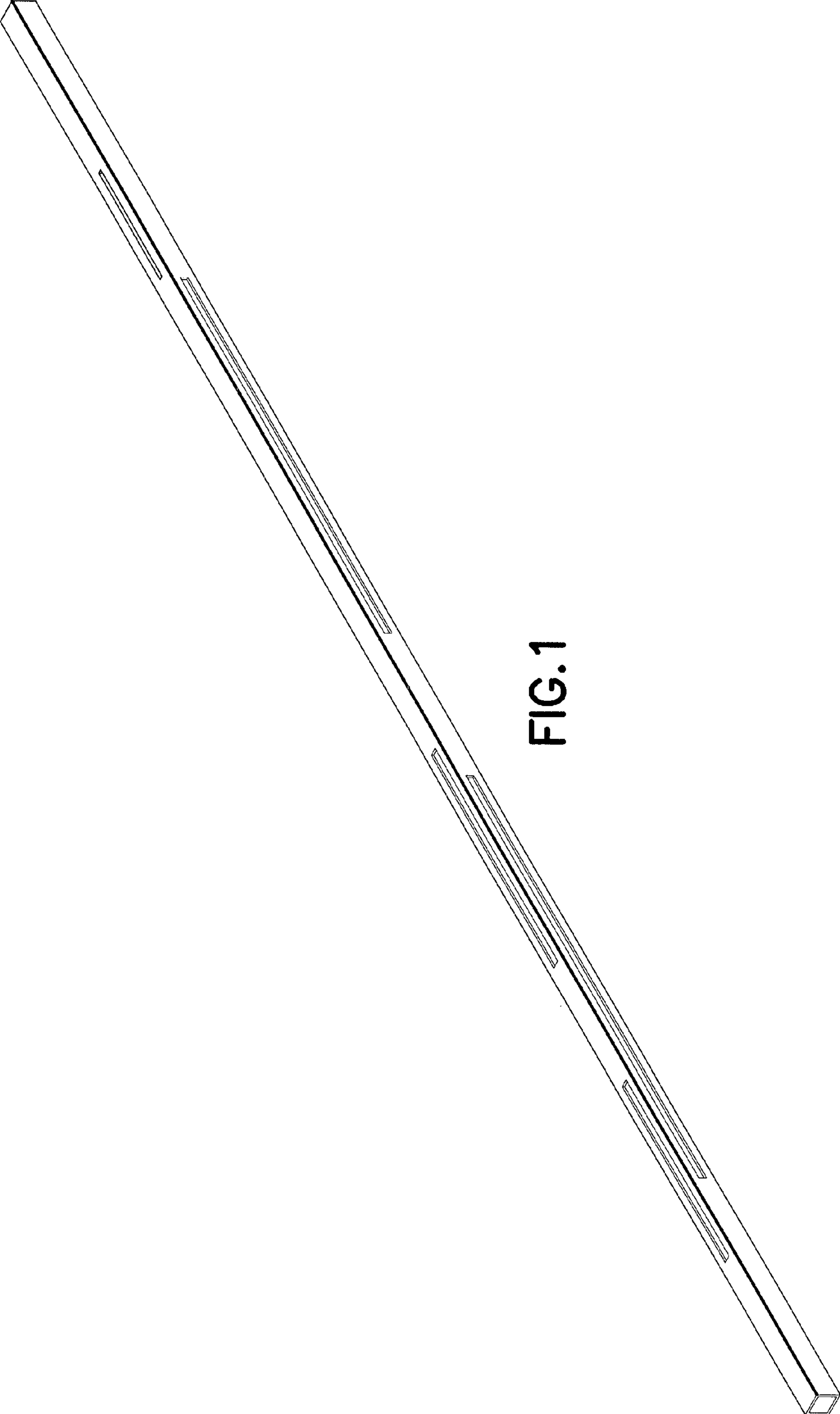


FIG. 1



FIG. 2



FIG. 3



FIG. 4



FIG. 5

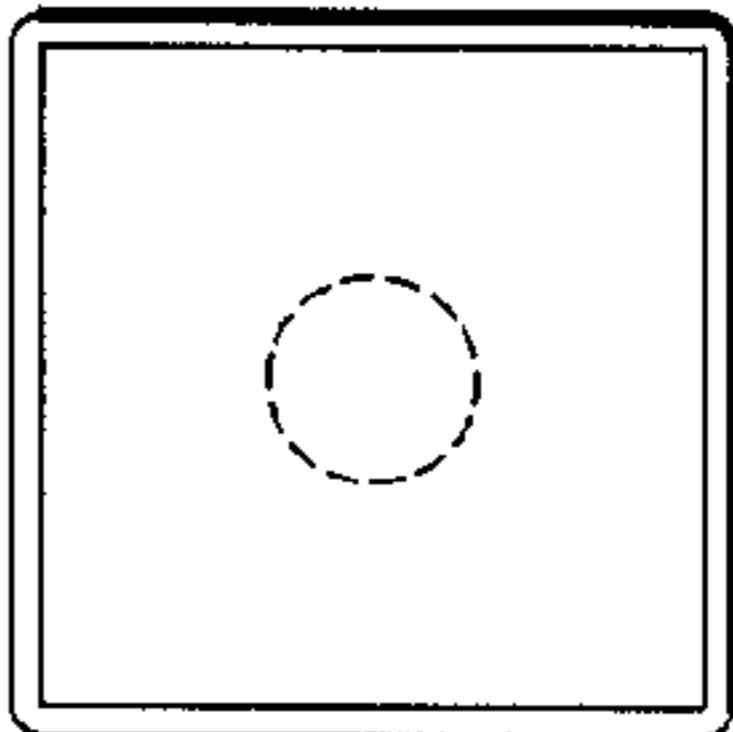


FIG. 6

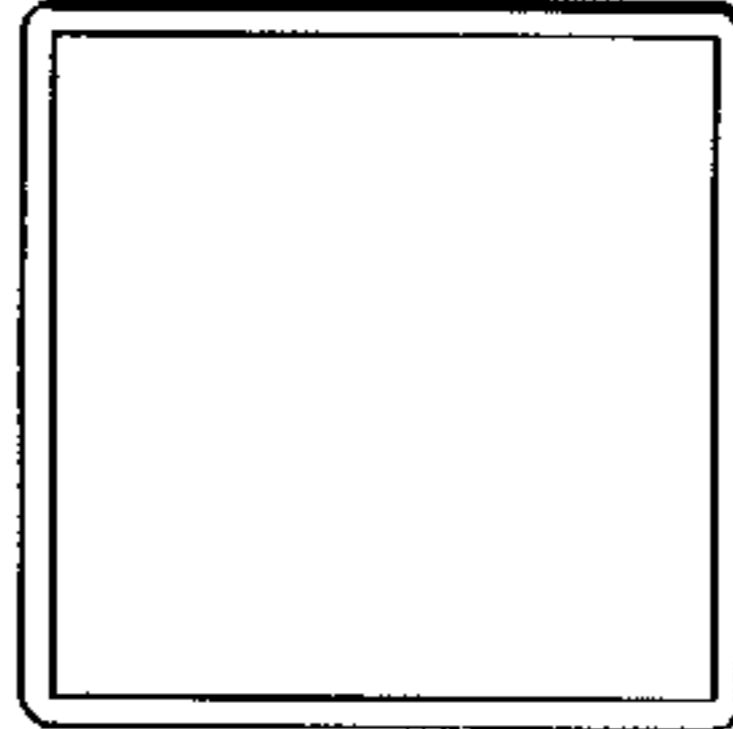


FIG. 7