



US00D617935S

(12) **United States Design Patent**
Miletich et al.

(10) **Patent No.:** **US D617,935 S**
(45) **Date of Patent:** **** Jun. 15, 2010**

(54) **LIGHTING FIXTURE**
(75) Inventors: **Don Miletich**, Franklin, WI (US); **David P. Goetz**, Milwaukee, WI (US)
(73) Assignee: **Ruud Lighting, Inc.**, Racine, WI (US)
(**) Term: **14 Years**
(21) Appl. No.: **29/317,521**
(22) Filed: **Apr. 30, 2008**
(51) **LOC (9) Cl.** **26-03**
(52) **U.S. Cl.** **D26/76**
(58) **Field of Classification Search** D26/24-28,
D26/37, 67, 71, 74-78, 80, 85, 89, 104, 108,
D26/118, 120-122, 138; 362/132, 145, 147-150,
362/157, 217-225, 228, 260, 262-264, 267,
362/310, 345, 364, 365, 368, 432, 440
See application file for complete search history.

(56) **References Cited**
U.S. PATENT DOCUMENTS
D127,890 S * 6/1941 Ohm D26/76
(Continued)

OTHER PUBLICATIONS
Web pages from www.focalpointlights.com. "Linear Luminaires."
Date: Copyright 2008. 2 pages.
(Continued)

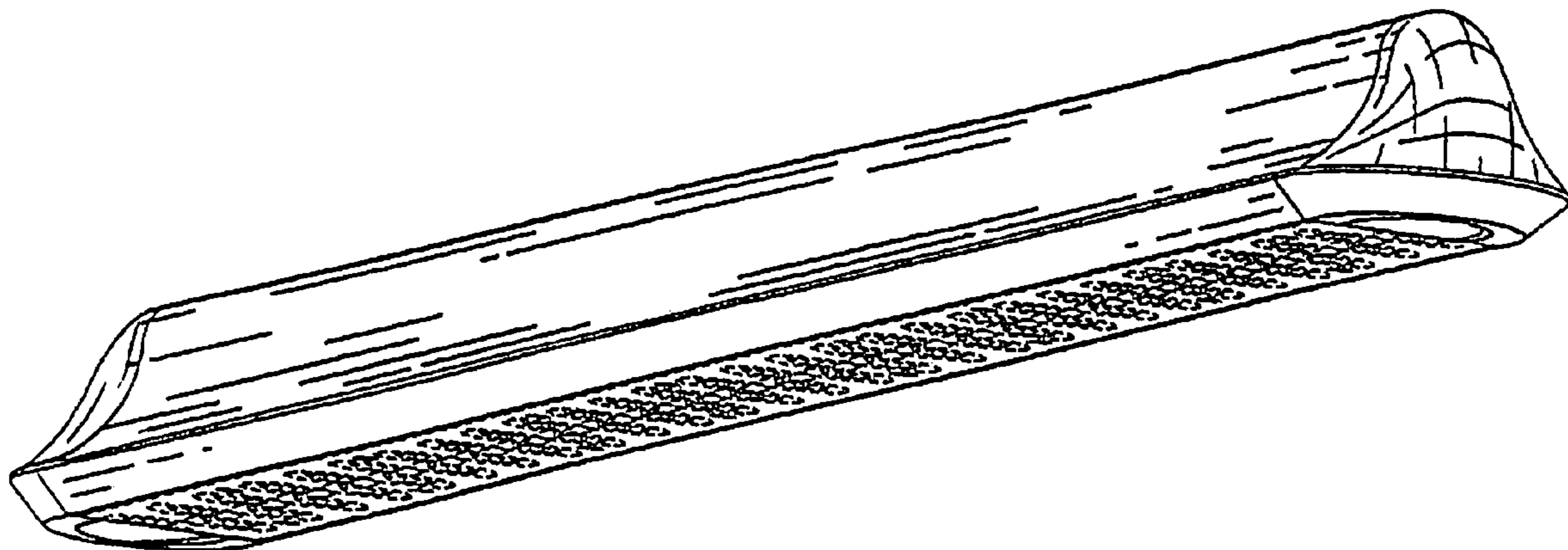
Primary Examiner—Philip S Hyder
Assistant Examiner—Susan E Krakower
(74) *Attorney, Agent, or Firm*—Jansson Shupe & Munger Ltd.

(57) **CLAIM**
The ornamental design for a lighting fixture, as shown and described.

DESCRIPTION
FIG. 1 is a side perspective view of a first embodiment of a lighting fixture;
FIG. 2 is a top perspective view of the lighting fixture of FIG. 1;
FIG. 3 is a bottom perspective view of the lighting fixture of FIG. 1;

FIG. 4 is a front elevation of the lighting fixture of FIG. 1, the rear elevation being a mirror image thereof;
FIG. 5 is a top plan view of the lighting fixture of FIG. 1;
FIG. 6 is a bottom plan view of the lighting fixture of FIG. 1;
FIG. 7 is a side perspective view of a second embodiment of a lighting fixture of of FIG. 1, the only difference being in the length;
FIG. 8 is a top perspective view of the lighting fixture of FIG. 7;
FIG. 9 is a bottom perspective view of the lighting fixture of FIG. 7;
FIG. 10 is a front elevation of the lighting fixture of FIG. 7, the rear elevation being a mirror image thereof;
FIG. 11 is a top plan view of the lighting fixture of FIG. 7;
FIG. 12 is a bottom plan view of the lighting fixture of FIG. 7;
FIG. 13 is an enlarged right-side (or end) elevation of the lighting fixture of FIGS. 1 and 7, the left-side (or end) elevation being mirror image thereof;
FIG. 14 is a side perspective view of a third embodiment of a lighting fixture of FIG. 1, the only difference being in the length;
FIG. 15 is a top perspective view of the lighting fixture of FIG. 14;
FIG. 16 is a bottom perspective view of the lighting fixture of FIG. 14;
FIG. 17 is an enlarged right-side (or end) elevation of the lighting fixture of FIG. 14, the left-side (or end) elevation being a mirror image thereof;
FIG. 18 is a front elevation of the lighting fixture of FIG. 14, the rear elevation being a mirror image thereof;
FIG. 19 is a top plan view of the lighting fixture of FIG. 14; and,
FIG. 20 is a bottom plan view of the lighting fixture of FIG. 14.
Surface contours on all figures are the same as indicated by the shading in FIG. 1.
Details in the middle portion of the bottom of the fixture being shown in phantom lines. The phantom lines illustrate environmental elements and form no part of the claimed design.

1 Claim, 20 Drawing Sheets



US D617,935 S

Page 2

U.S. PATENT DOCUMENTS

2,323,002 A 6/1943 Baker
D141,172 S * 5/1945 Hallman D26/77
2,465,141 A 3/1949 Wakefield
2,474,308 A 6/1949 Franck et al.
2,643,328 A 6/1953 Elmendorf
2,988,633 A 6/1961 Rosenfield
3,928,757 A 12/1975 Nelson
4,025,780 A 5/1977 Krase et al.
D246,330 S 11/1977 Krase et al.
4,096,379 A 6/1978 Taylor
4,138,716 A 2/1979 Muhlethaler et al.
D255,726 S * 7/1980 Leuthesser D26/31
4,413,311 A 11/1983 Orenstein
4,464,707 A 8/1984 Forrest
4,712,165 A 12/1987 Cetrone
4,716,671 A 1/1988 Gross
4,726,781 A 2/1988 Bernhart et al.
4,748,548 A 5/1988 Barton
5,390,094 A 2/1995 Evanisko
D381,450 S * 7/1997 Sonneman D26/72
5,658,066 A 8/1997 Hirsch
5,658,067 A 8/1997 Engle et al.
D396,323 S * 7/1998 Miranda D26/142
5,902,035 A 5/1999 Mui
6,186,642 B1 2/2001 Corcorran et al.
6,305,816 B1 10/2001 Corcorran et al.
6,435,697 B1 8/2002 Simmons et al.

D464,161 S * 10/2002 Nourishad D26/78
6,530,674 B2 3/2003 Grierson et al.
6,536,924 B2 3/2003 Segretto
6,568,830 B2 5/2003 Yaphe et al.
6,652,118 B2 11/2003 Shemitz et al.
6,769,784 B2 8/2004 Yaphe et al.
D498,018 S * 11/2004 Sieczkowski D26/118
6,984,055 B2 1/2006 McCarthy et al.
D521,675 S * 5/2006 Chen D26/76
D567,425 S * 4/2008 Yates D26/76
2007/0258238 A1 * 11/2007 Handsaker 362/217

OTHER PUBLICATIONS

Web pages from www.focalpointlights.com. "Elytra." Date: Copyright 2008. 2 pages.
Web pages from www.focalpointlights.com. "Evolution." Date: Copyright 2008. 3 pages.
Web pages from www.focalpointlights.com. "Softlite." Date: Copyright 2008. 8 pages.
Web pages from www.luminairelighting.com. Date: Copyright 2007. 3 pages.
Web pages from www.cooperlighting.com. "Linear Products." Date: Copyright 2000-2006. 7 pages.
Web pages from www.ametrixlighting.com and www.cooperlighting.com. "C-Scroll." Date: Copyright 2000-2008. 7 pages.
Specification sheets from Enlux Lighting. Date: undated. 2 pages.

* cited by examiner

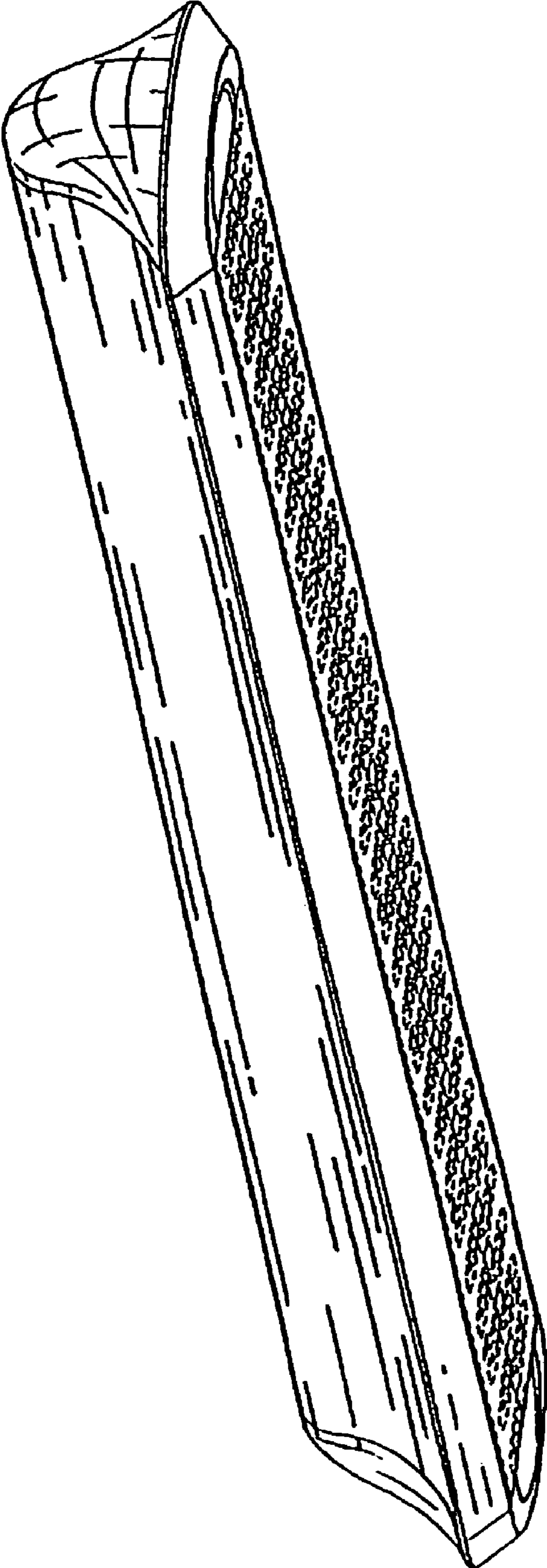


FIG. 1

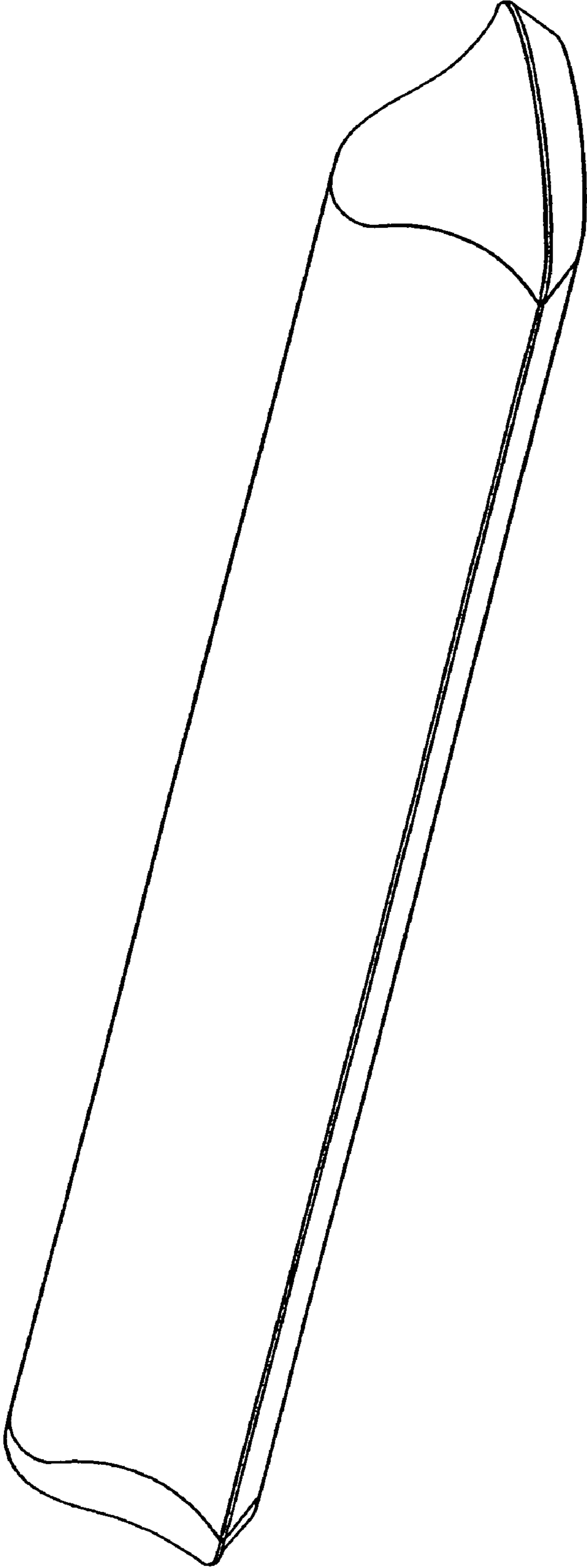


FIG. 2

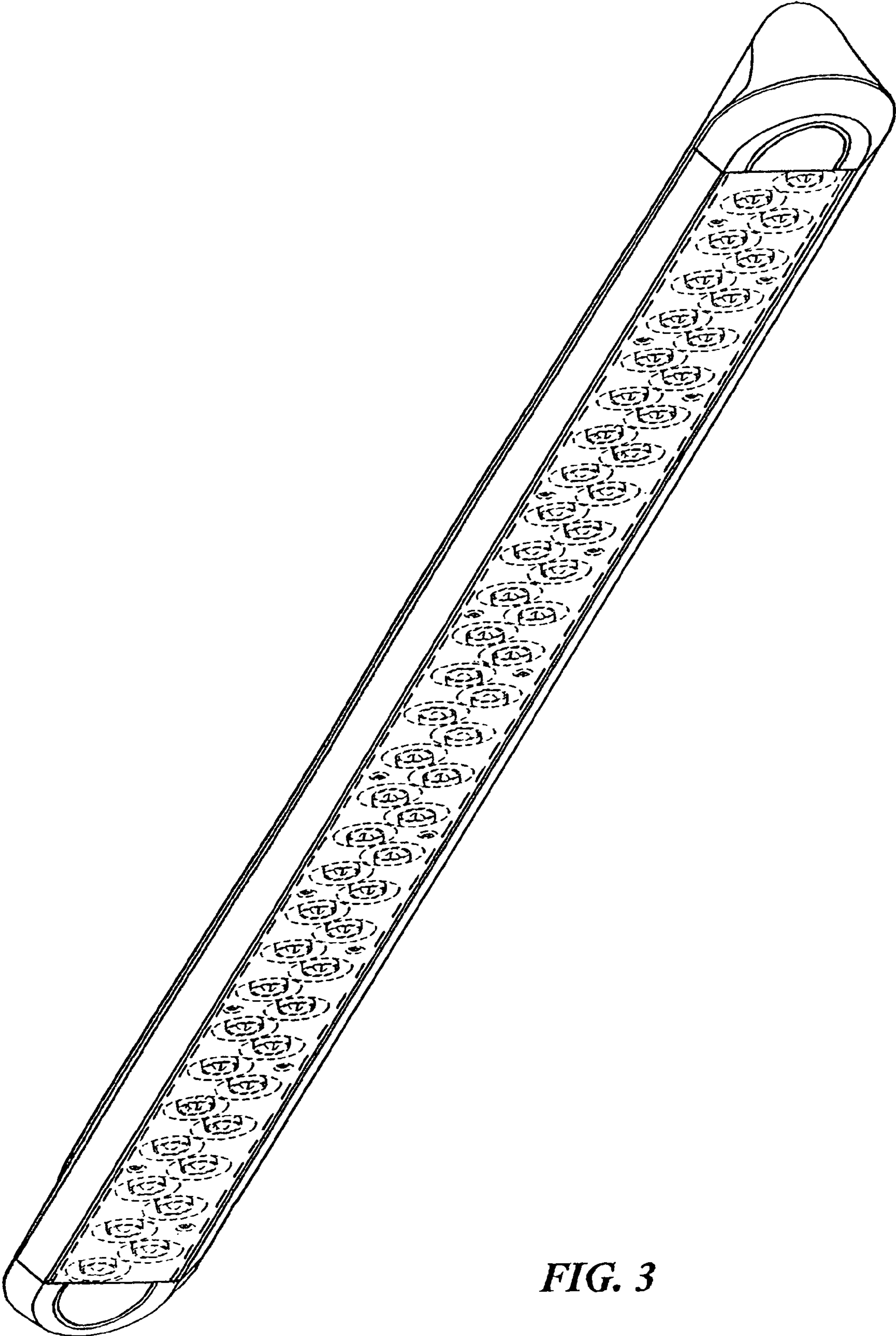


FIG. 3



FIG. 4

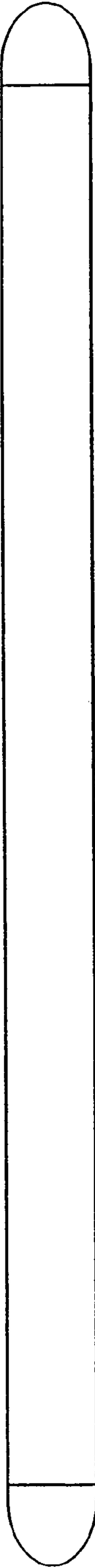


FIG. 5

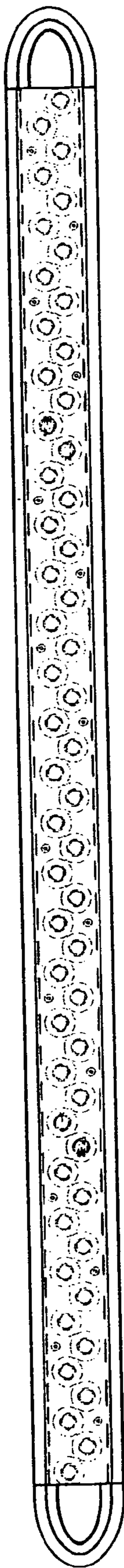


FIG. 6

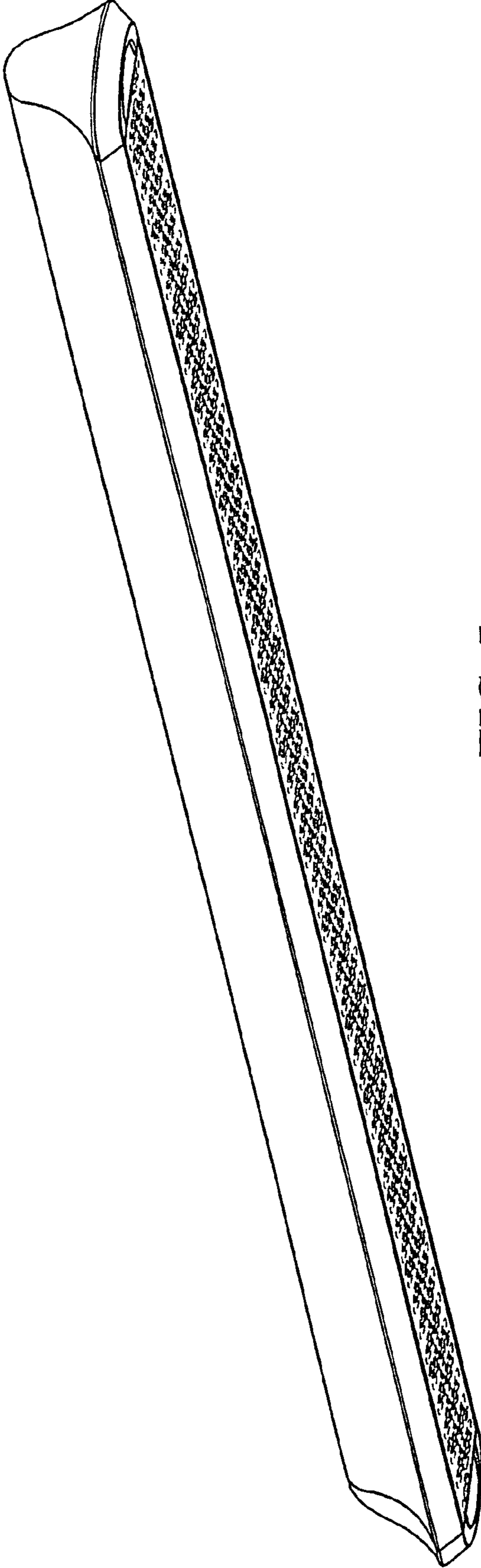


FIG. 7.

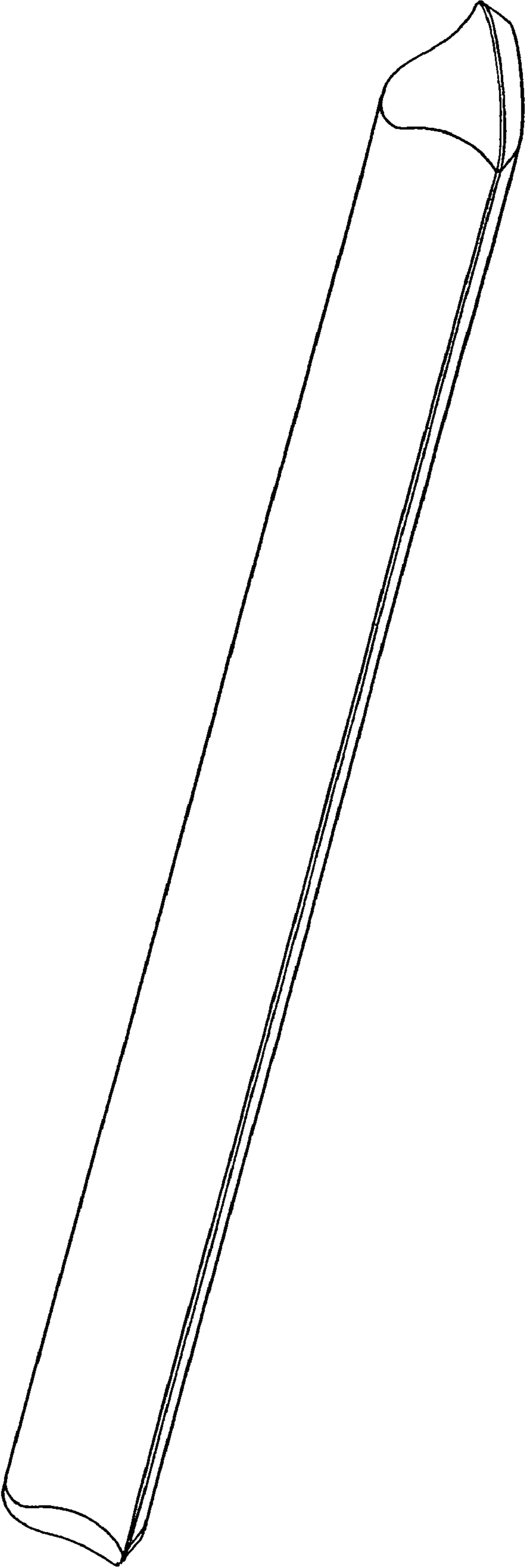


FIG. 8



FIG. 9

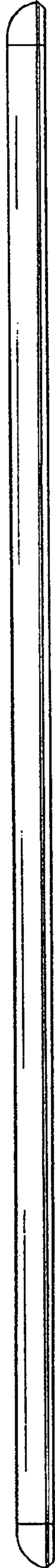


FIG. 10

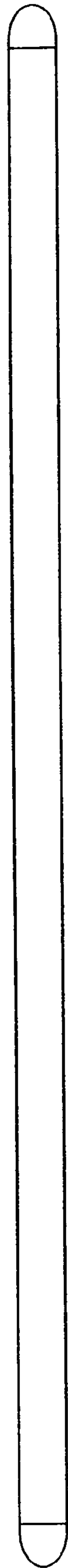


FIG. 11



FIG. 12

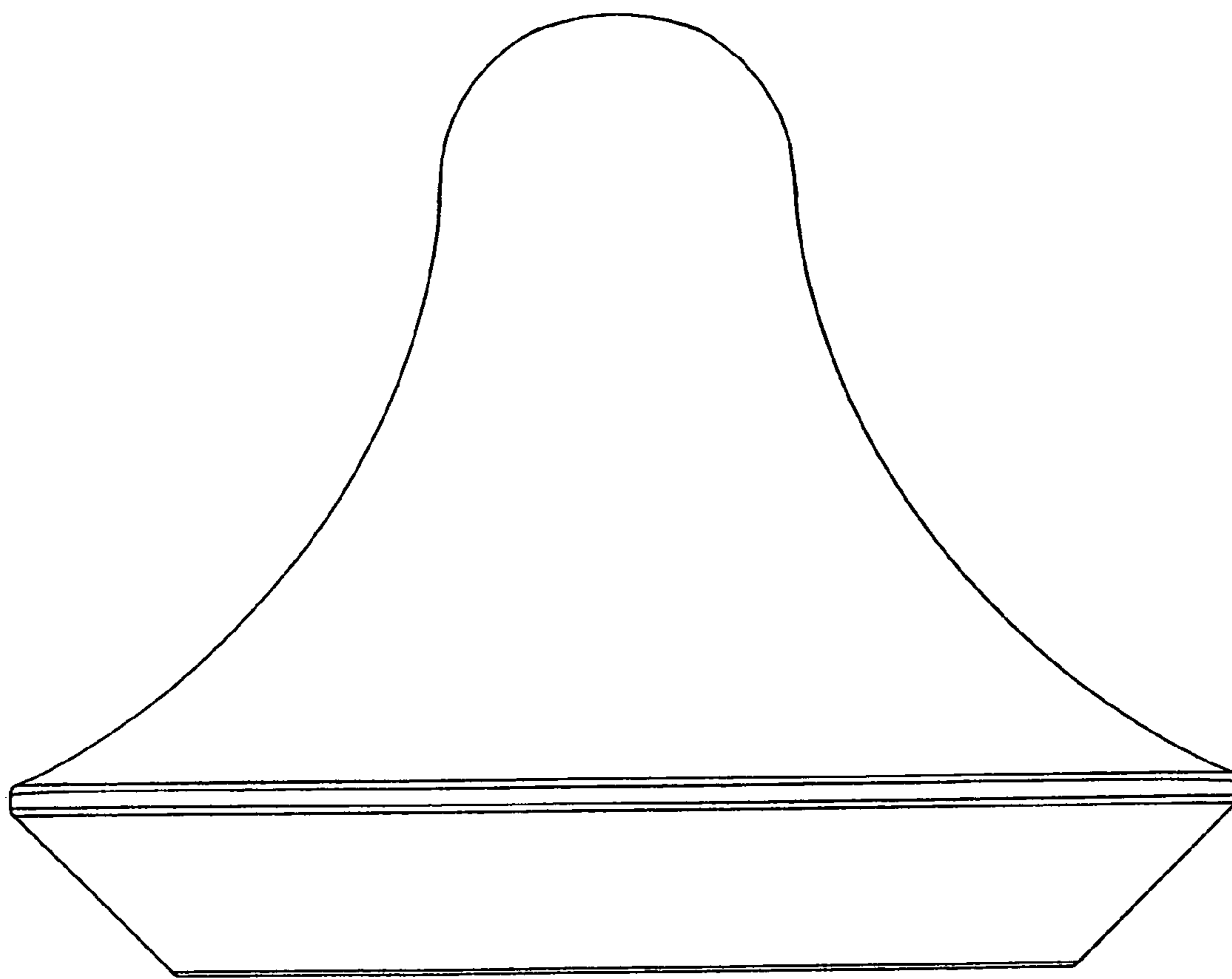


FIG. 13

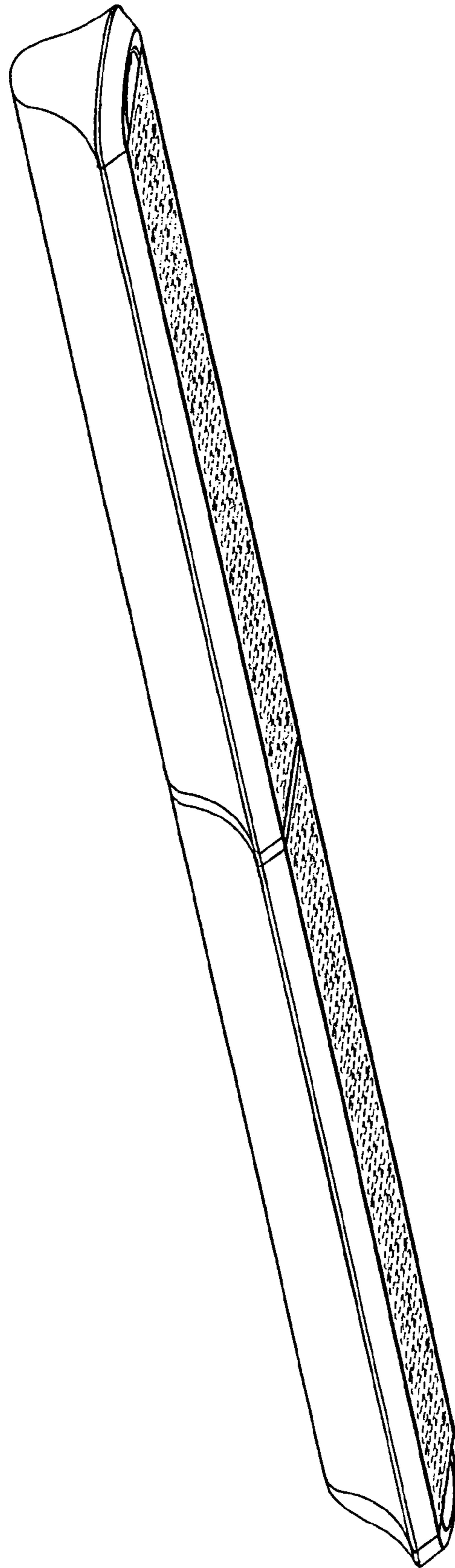


FIG. 14

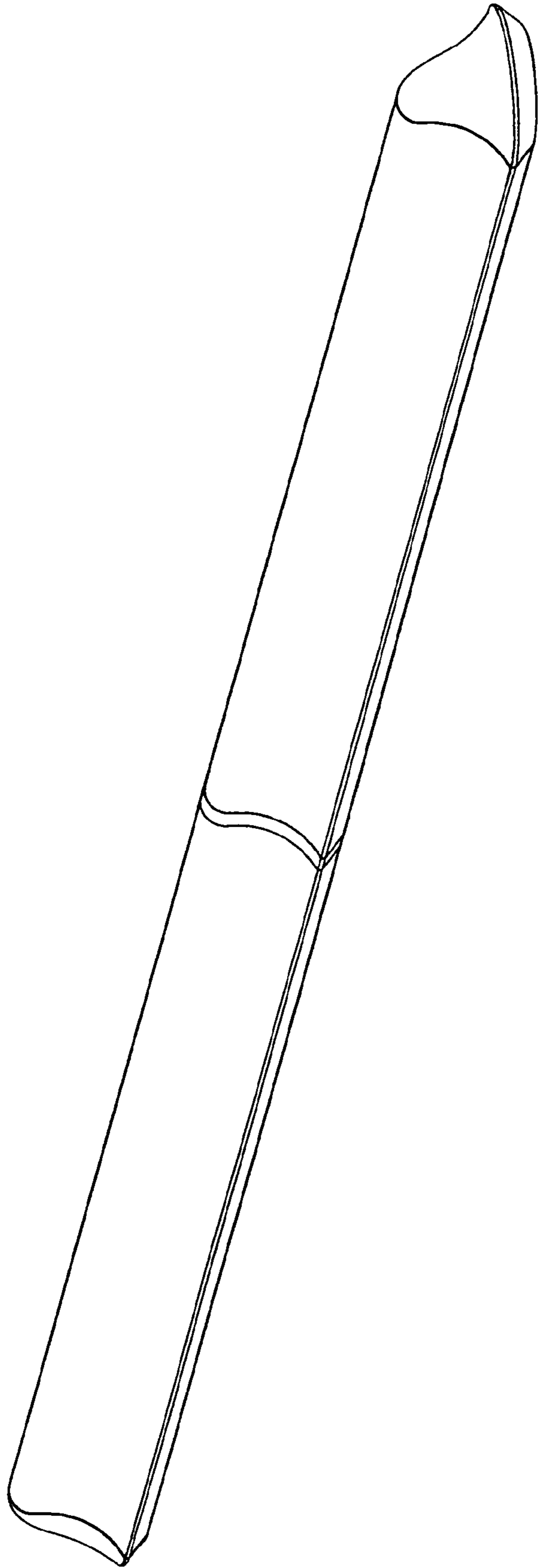


FIG. 15

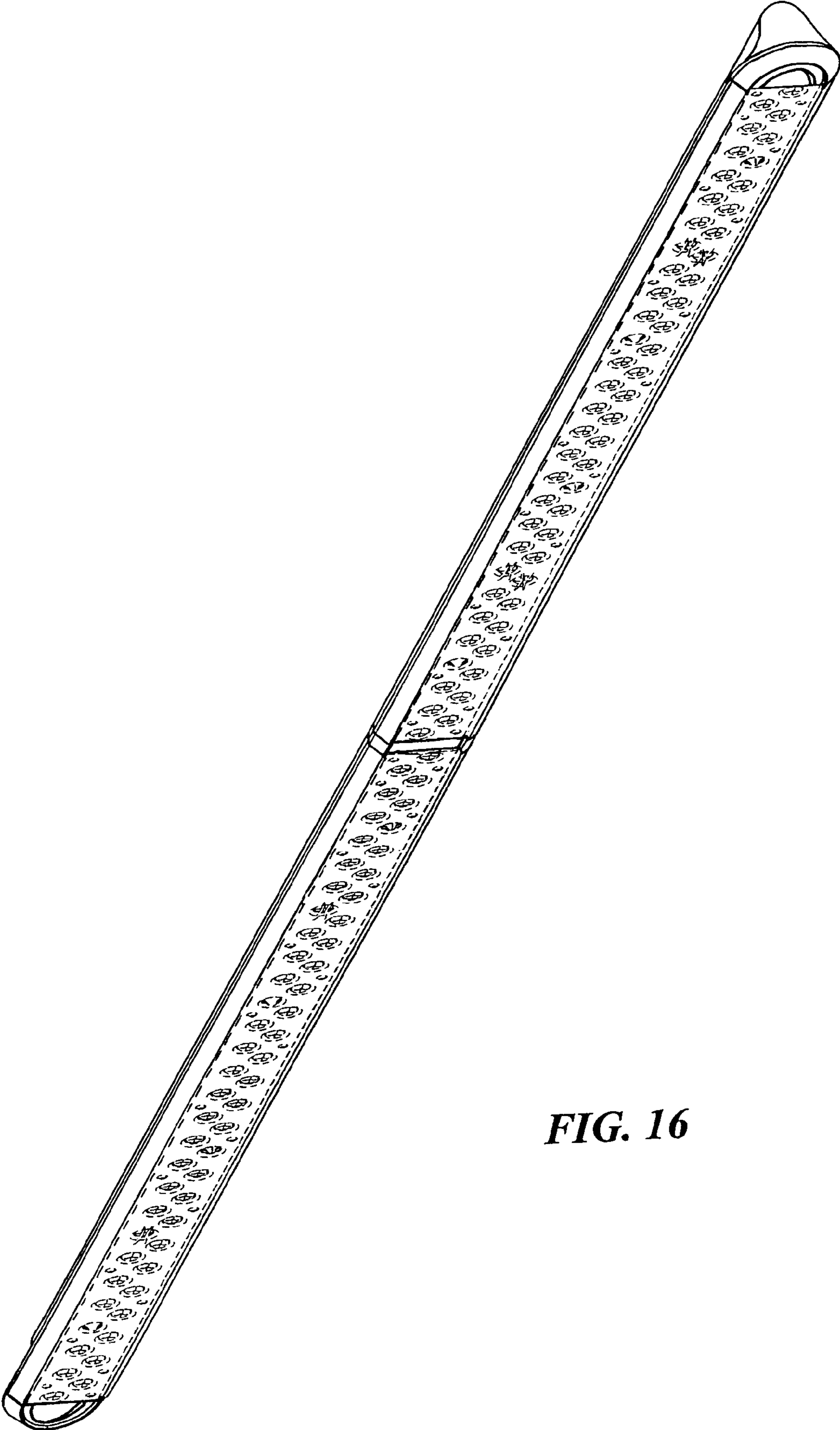


FIG. 16

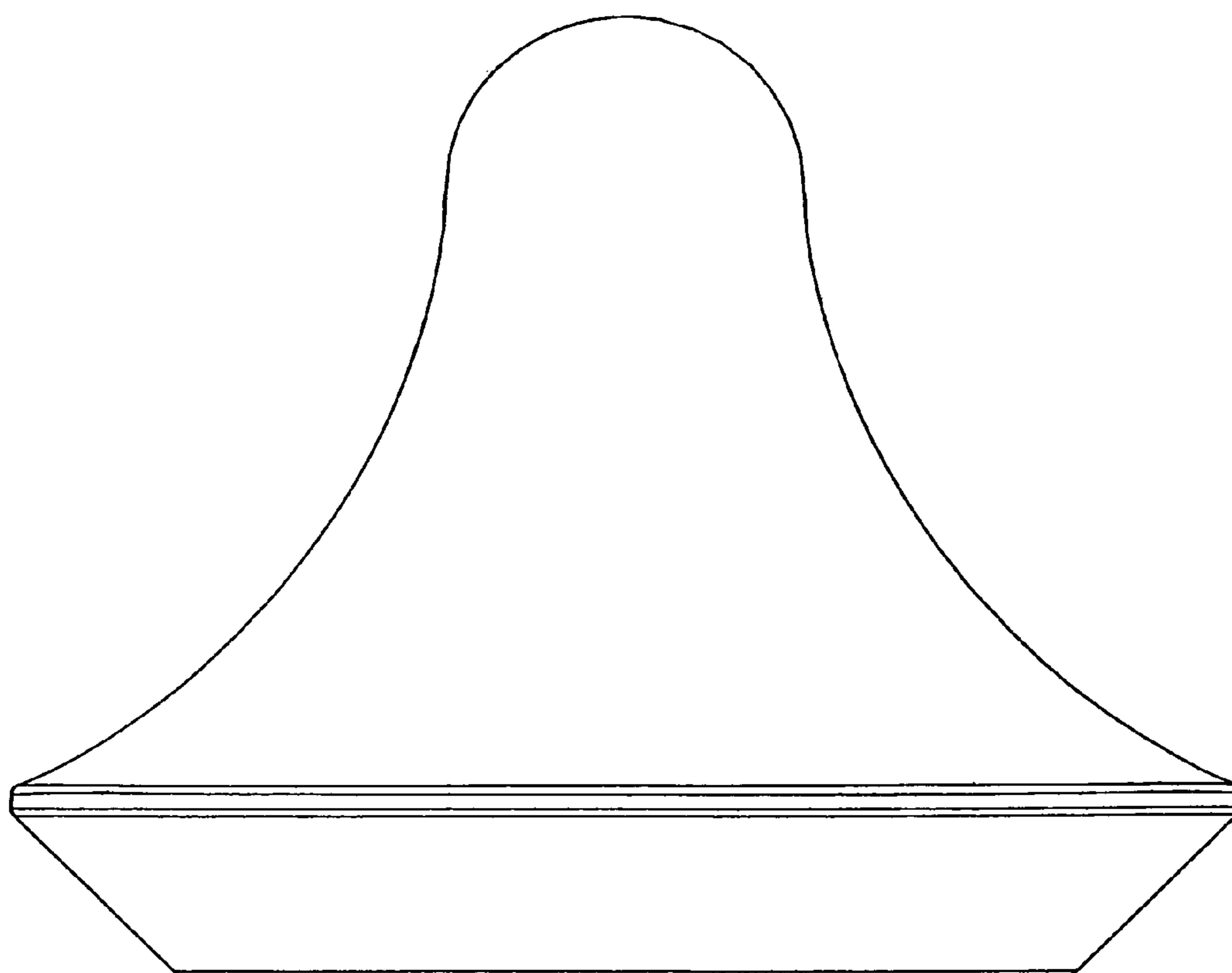


FIG. 17



FIG. 18

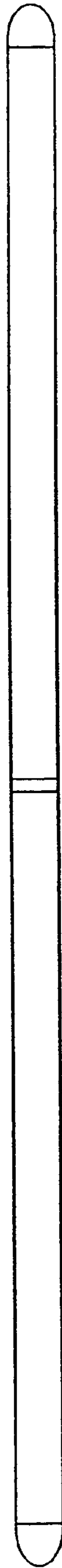


FIG. 19



FIG. 20