



US00D617933S

(12) **United States Design Patent**
Ng

(10) **Patent No.:** **US D617,933 S**
(45) **Date of Patent:** **** *Jun. 15, 2010**

(54) **ADJUSTABLE LED DESK LAMP**

D579,597 S * 10/2008 Ng D26/61

(76) Inventor: **Edmund Ng**, 2570 Corporate Pl., Suite E101, Monterey Park, CA (US) 91754

OTHER PUBLICATIONS

IceLight—high power LED desk lamp by Konzept Technologies. Found online at konceptech.com on Jun. 29, 2009.*

(*) Notice: This patent is subject to a terminal disclaimer.

* cited by examiner

(**) Term: **14 Years**

Primary Examiner—Clare E Heflin

(21) Appl. No.: **29/314,845**

(57) **CLAIM**

(22) Filed: **May 5, 2009**

The ornamental design for an adjustable LED desk lamp, as shown and described.

(51) **LOC (9) Cl.** **26-05**

DESCRIPTION

(52) **U.S. Cl.** **D26/65**

FIG. 1 is a perspective view of an adjustable LED desk lamp showing my new design;

(58) **Field of Classification Search** D26/61–65, D26/107; 362/269, 275, 285, 371, 410, 418, 362/419, 427

FIG. 2 is a right side view thereof;

See application file for complete search history.

FIG. 3 is a left side view thereof;

(56) **References Cited**

U.S. PATENT DOCUMENTS

- D309,797 S * 8/1990 Gismondi D26/107
- D345,027 S * 3/1994 Huang D26/65
- D369,876 S * 5/1996 Muellenmeister D26/63
- D528,691 S * 9/2006 Waldmann D26/65
- D566,317 S * 4/2008 Meda et al. D26/62
- D568,520 S * 5/2008 Castellucci et al. D26/65

FIG. 4 is a front view thereof;

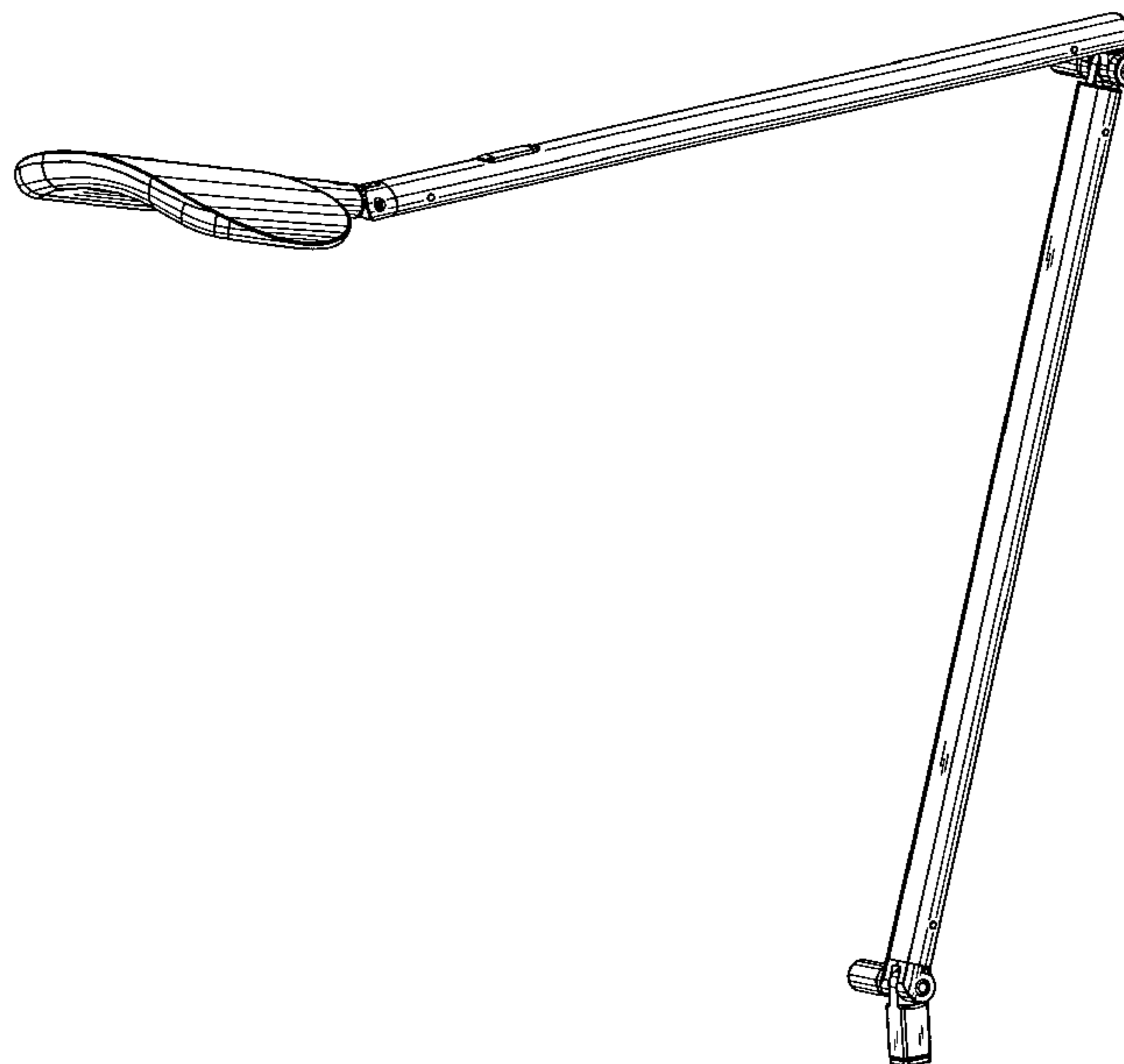
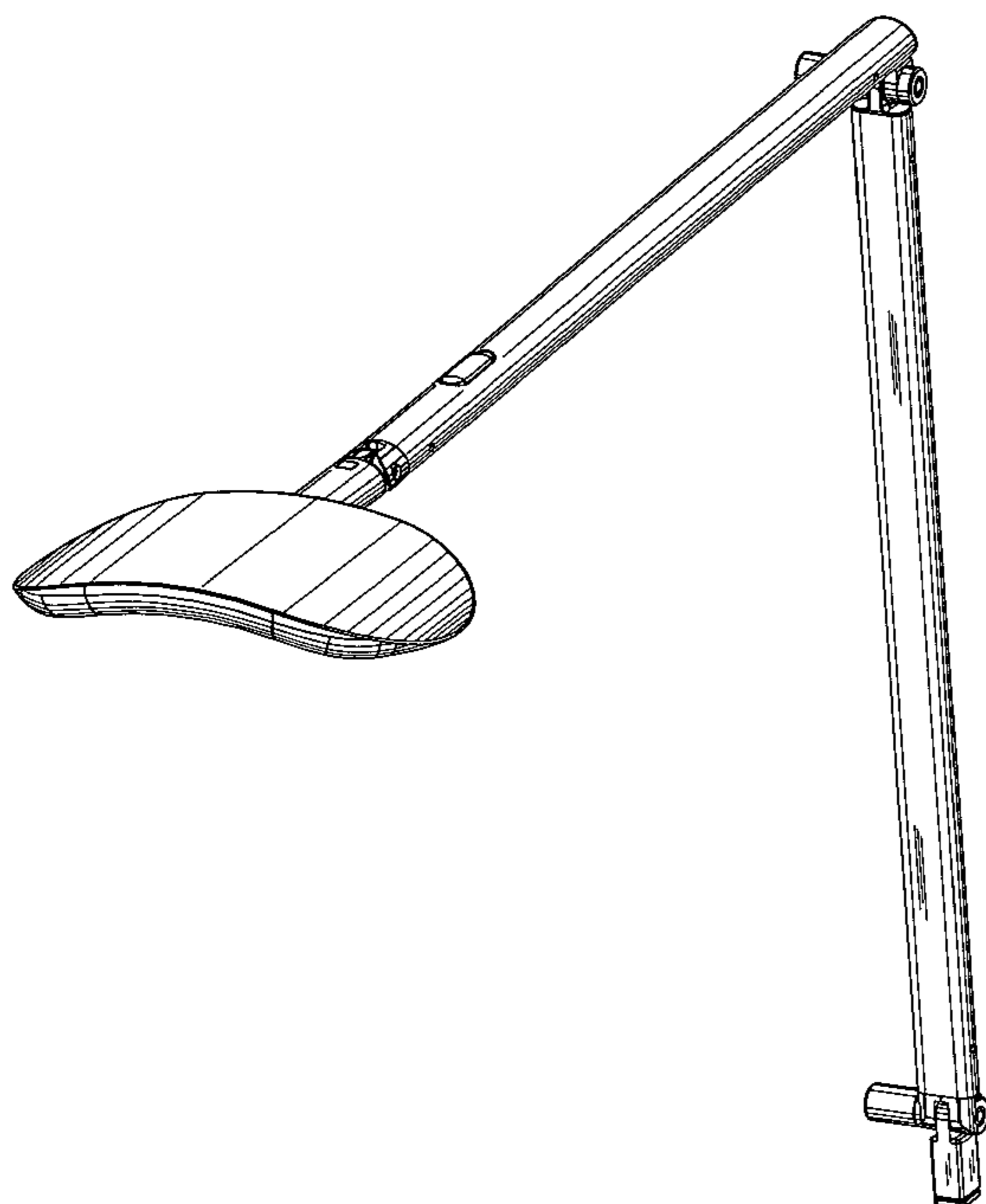
FIG. 5 is a rear view thereof;

FIG. 6 is a top view thereof;

FIG. 7 is a perspective view thereof with the lamp arm adjusted to an alternate position; and,

FIG. 8 is a right view thereof with the lamp arm adjusted to an alternate position.

1 Claim, 7 Drawing Sheets



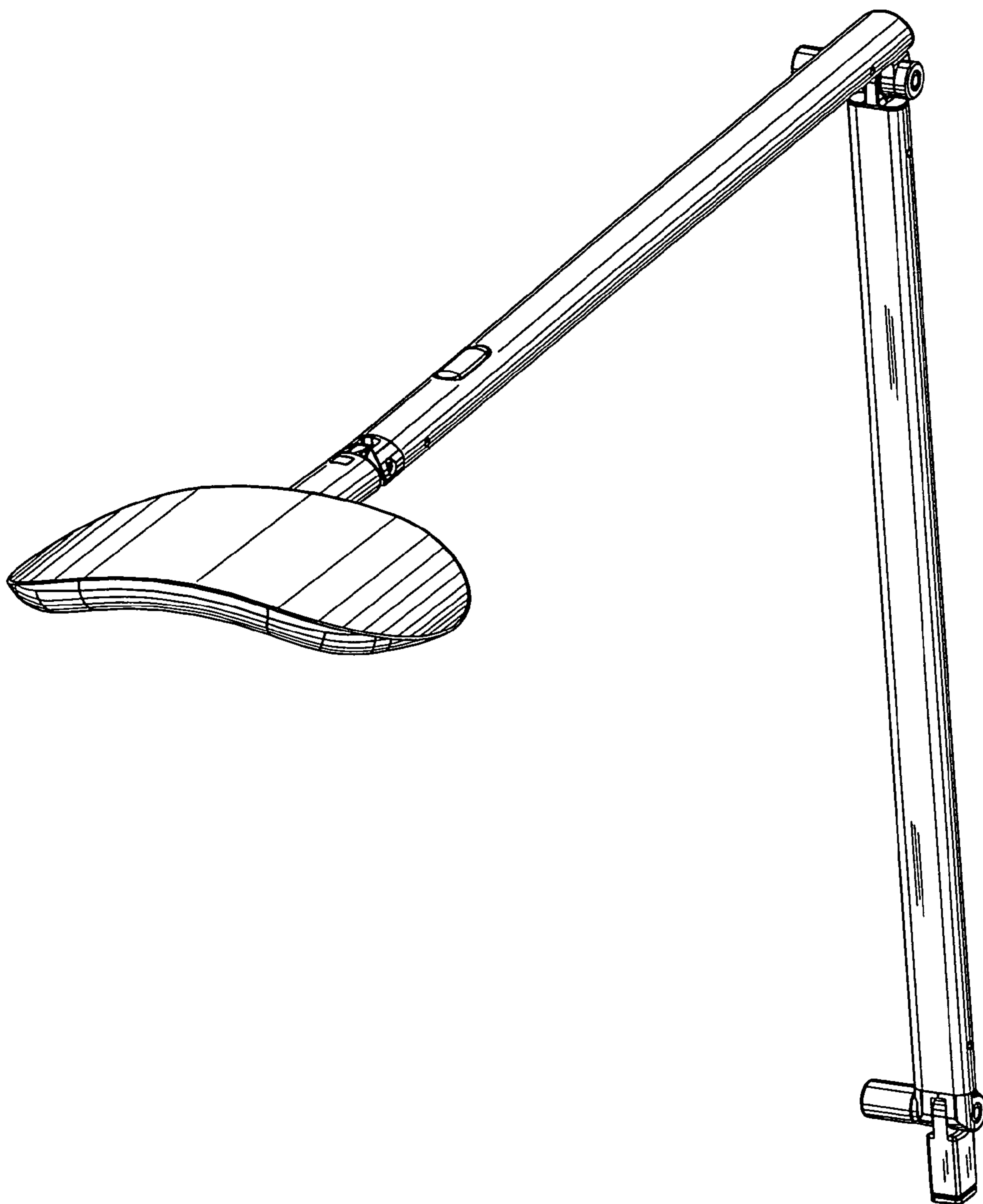


Fig. 1

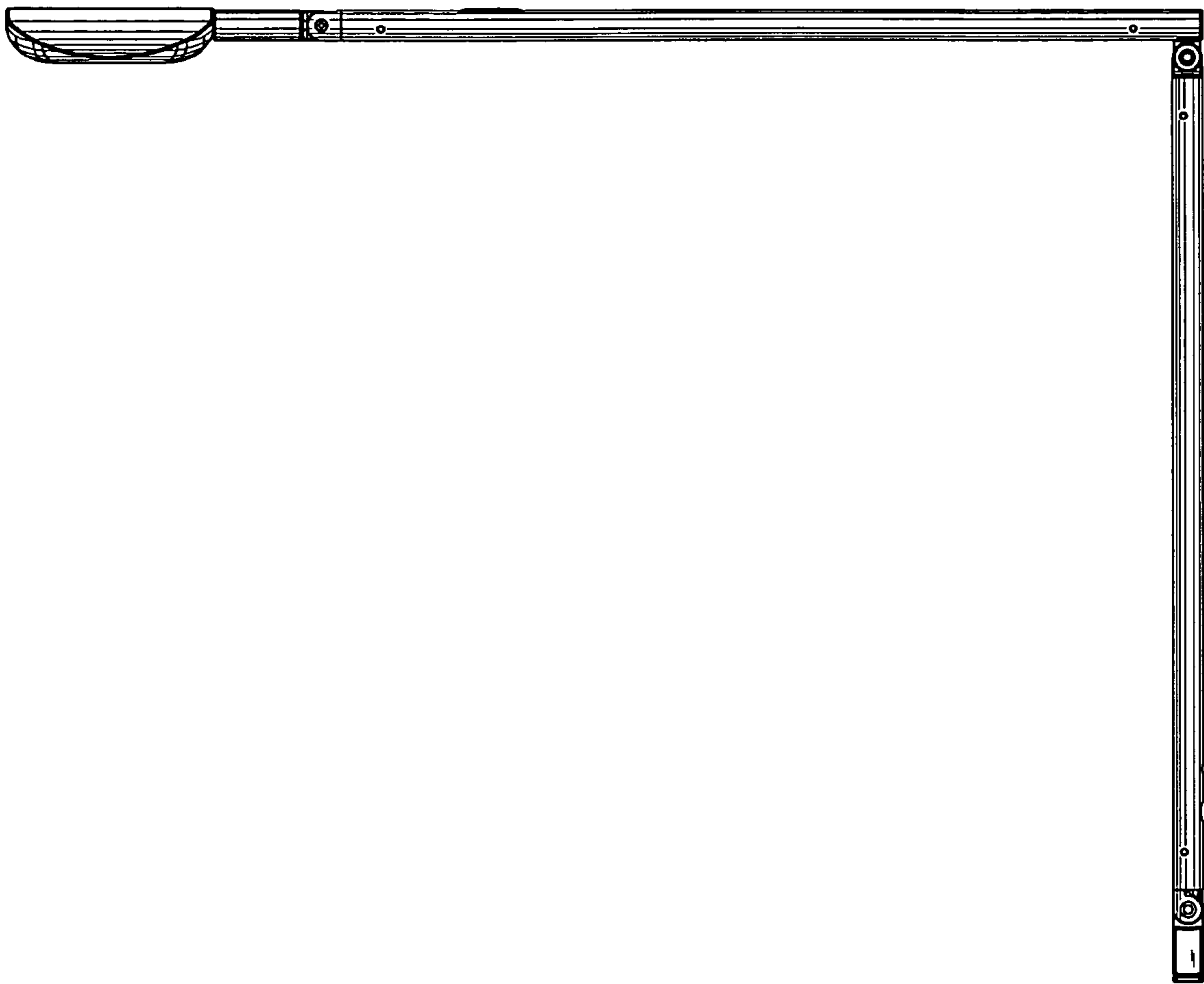


Fig. 2

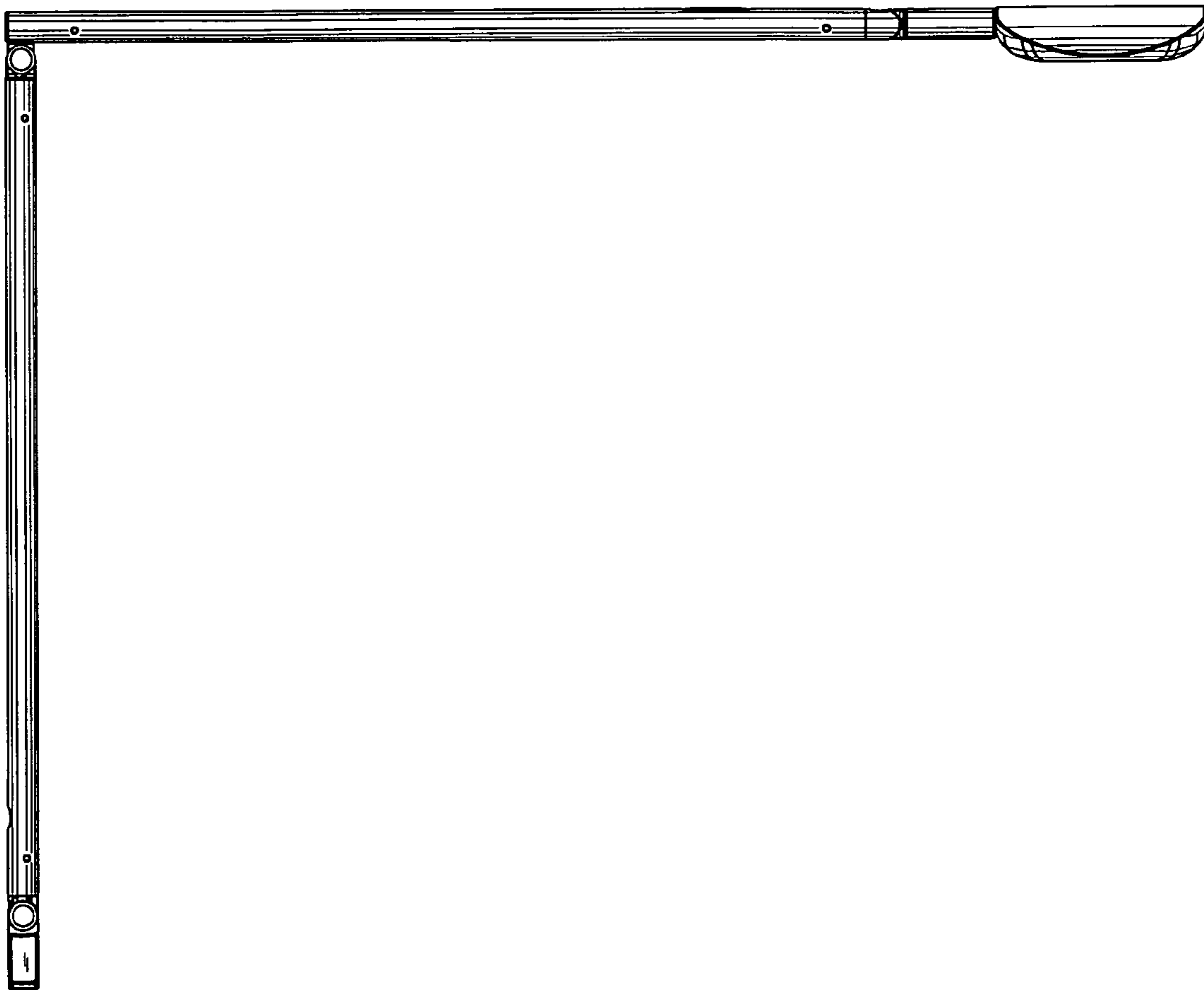


Fig. 3

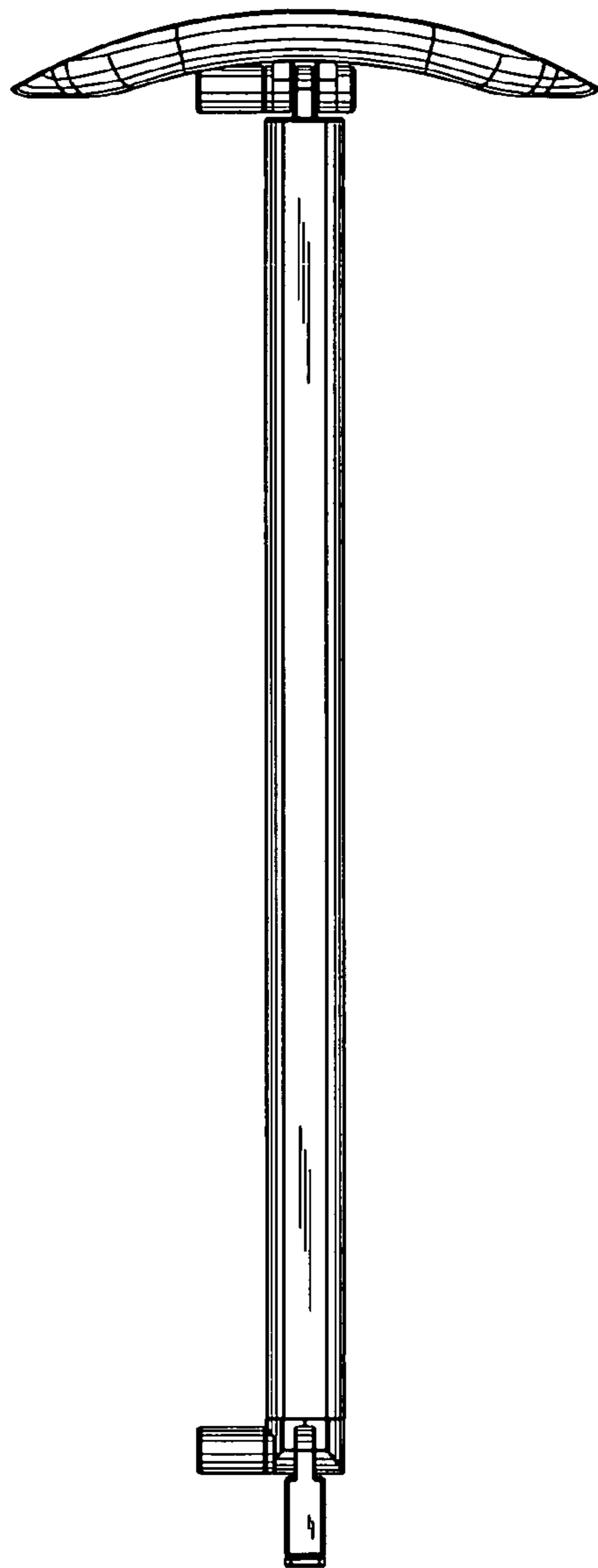


Fig. 4

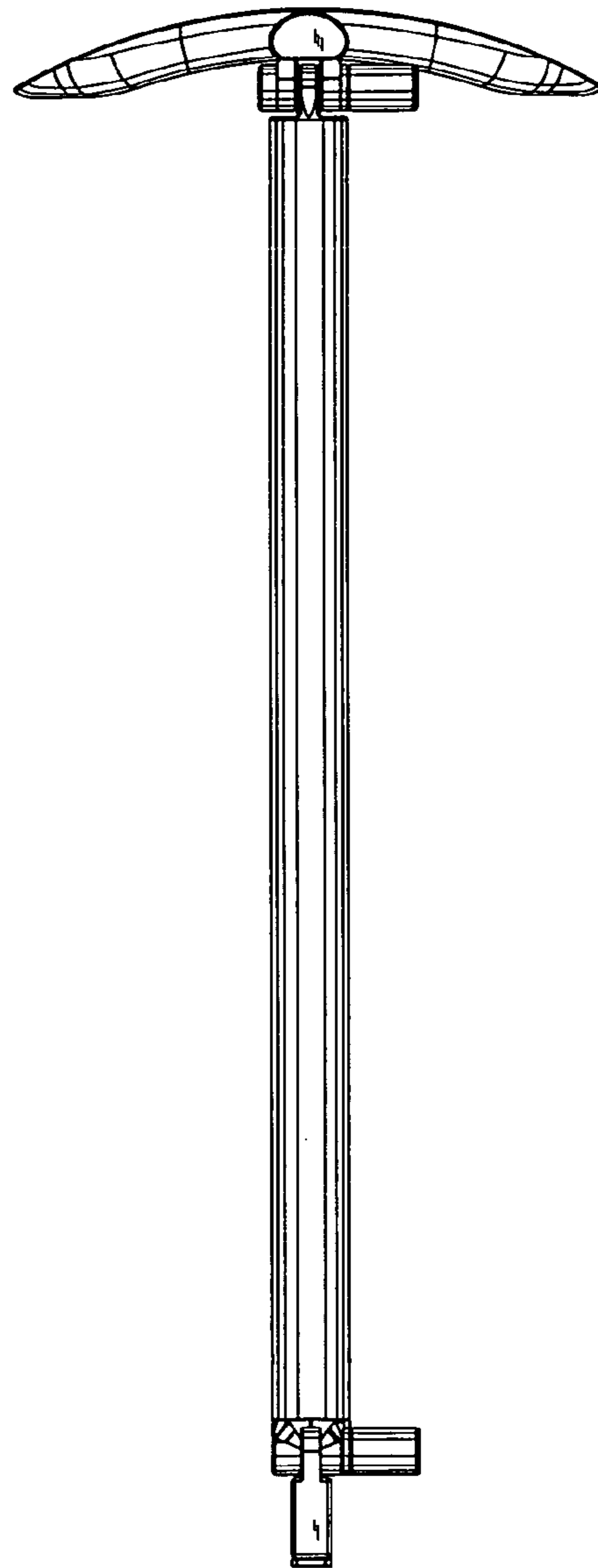


Fig. 5

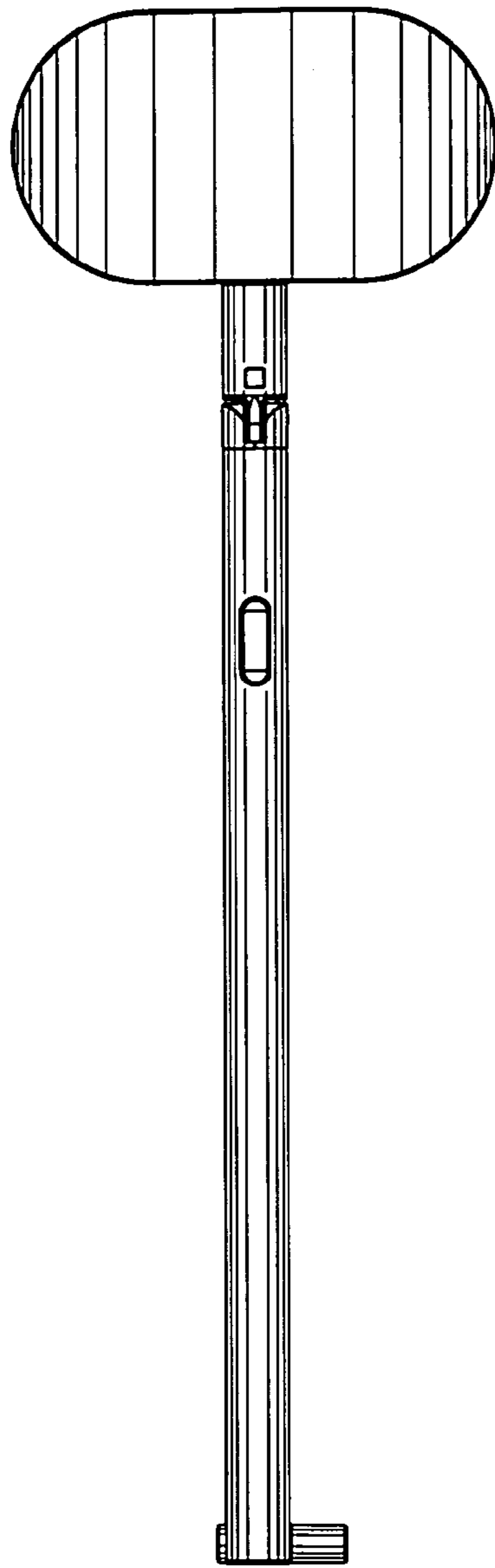


Fig. 6

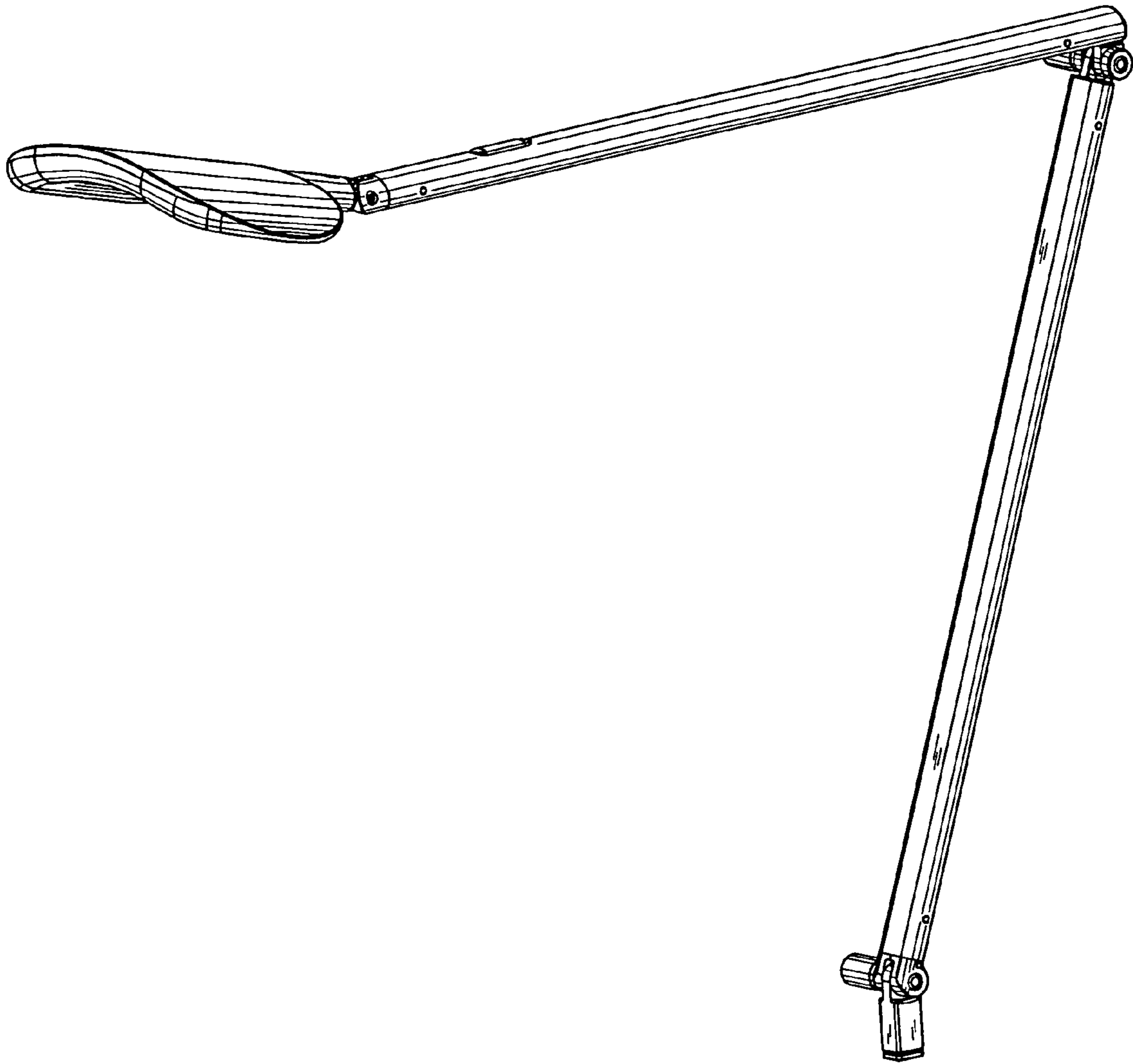


Fig. 7

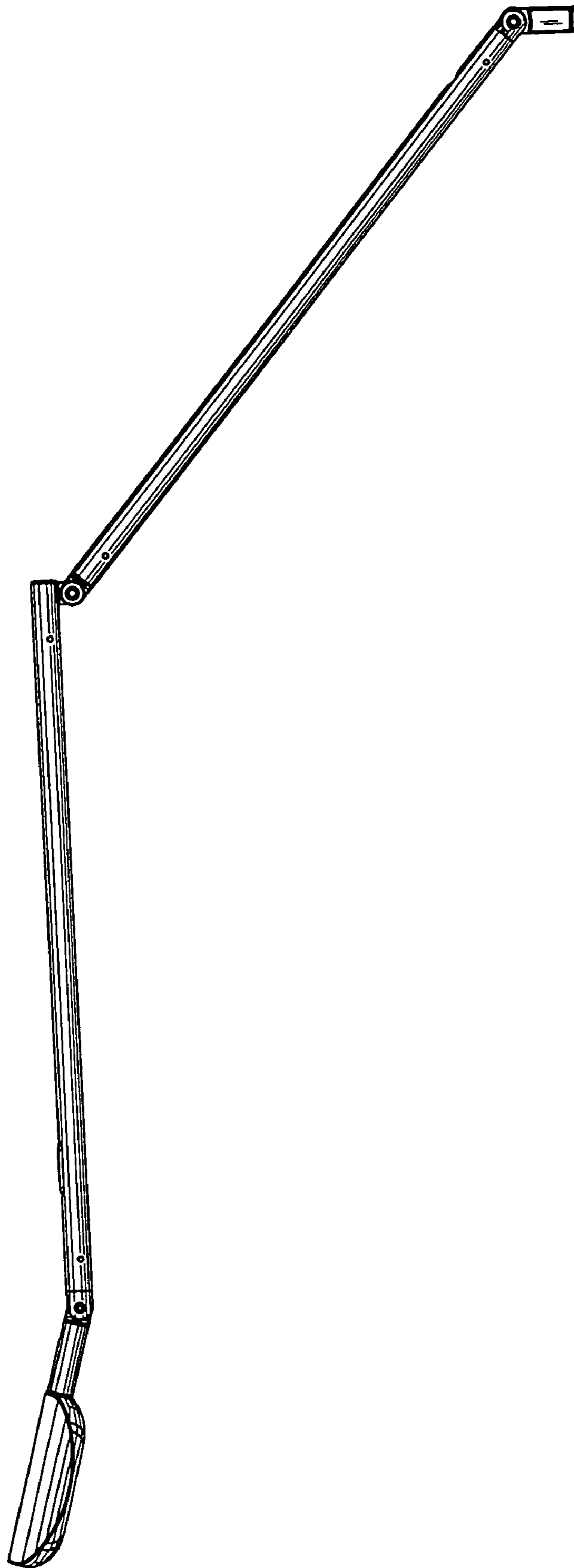


Fig. 8