



US00D617932S

(12) **United States Design Patent**
Chan

(10) **Patent No.:** **US D617,932 S**

(45) **Date of Patent:** **** Jun. 15, 2010**

(54) **LAMP**

(76) **Inventor:** **Eric Chan**, 401 E. 84th St., Apt. 7A,
New York, NY (US) 10028

(**) **Term:** **14 Years**

(21) **Appl. No.:** **29/348,083**

(22) **Filed:** **Nov. 25, 2009**

(51) **LOC (9) Cl.** **26-05**

(52) **U.S. Cl.** **D26/63**

(58) **Field of Classification Search** D26/61–65,
D26/107; 362/269, 275, 285, 371, 410, 413,
362/414, 418, 419, 427

See application file for complete search history.

(56) **References Cited**

U.S. PATENT DOCUMENTS

| | | | | |
|--------------|---------|-------------|-------|---------|
| D290,884 S * | 7/1987 | Sano et al. | | D26/65 |
| D301,632 S * | 6/1989 | Lohrentz | | D26/61 |
| D318,535 S * | 7/1991 | Von Klier | | D26/88 |
| D329,098 S * | 9/1992 | Lu | | D26/62 |
| D341,672 S * | 11/1993 | Yuen | | D26/65 |
| D345,810 S * | 4/1994 | Yuen | | D26/44 |
| D368,549 S * | 4/1996 | Huang | | D26/107 |
| D385,645 S * | 10/1997 | Chan | | D26/107 |
| D386,273 S * | 11/1997 | Yan | | D26/63 |
| D414,578 S * | 9/1999 | Chen et al. | | D26/65 |
| D468,855 S * | 1/2003 | Gismondi | | D26/109 |
| D507,673 S * | 7/2005 | Martin | | D26/60 |

| | | | | |
|-------------------|---------|--------------|-------|---------|
| D555,272 S * | 11/2007 | Iai et al. | | D26/62 |
| D569,539 S * | 5/2008 | Behar et al. | | D26/63 |
| D604,883 S * | 11/2009 | Park | | D26/65 |
| D606,693 S * | 12/2009 | Waldmann | | D26/65 |
| 2006/0050519 A1 * | 3/2006 | Lin | | 362/413 |

* cited by examiner

Primary Examiner—Clare E Heflin

(74) *Attorney, Agent, or Firm*—William E. Pelton, Esq.;
Cooper & Dunham LLP

(57) **CLAIM**

The ornamental design for a lamp, as shown and described.

DESCRIPTION

FIG. 1 is a perspective view of a lamp showing my new design with a hinged arm pivoted to an open position;

FIG. 2 is a top view thereof;

FIG. 3 is a side view thereof;

FIG. 4 is a front view thereof;

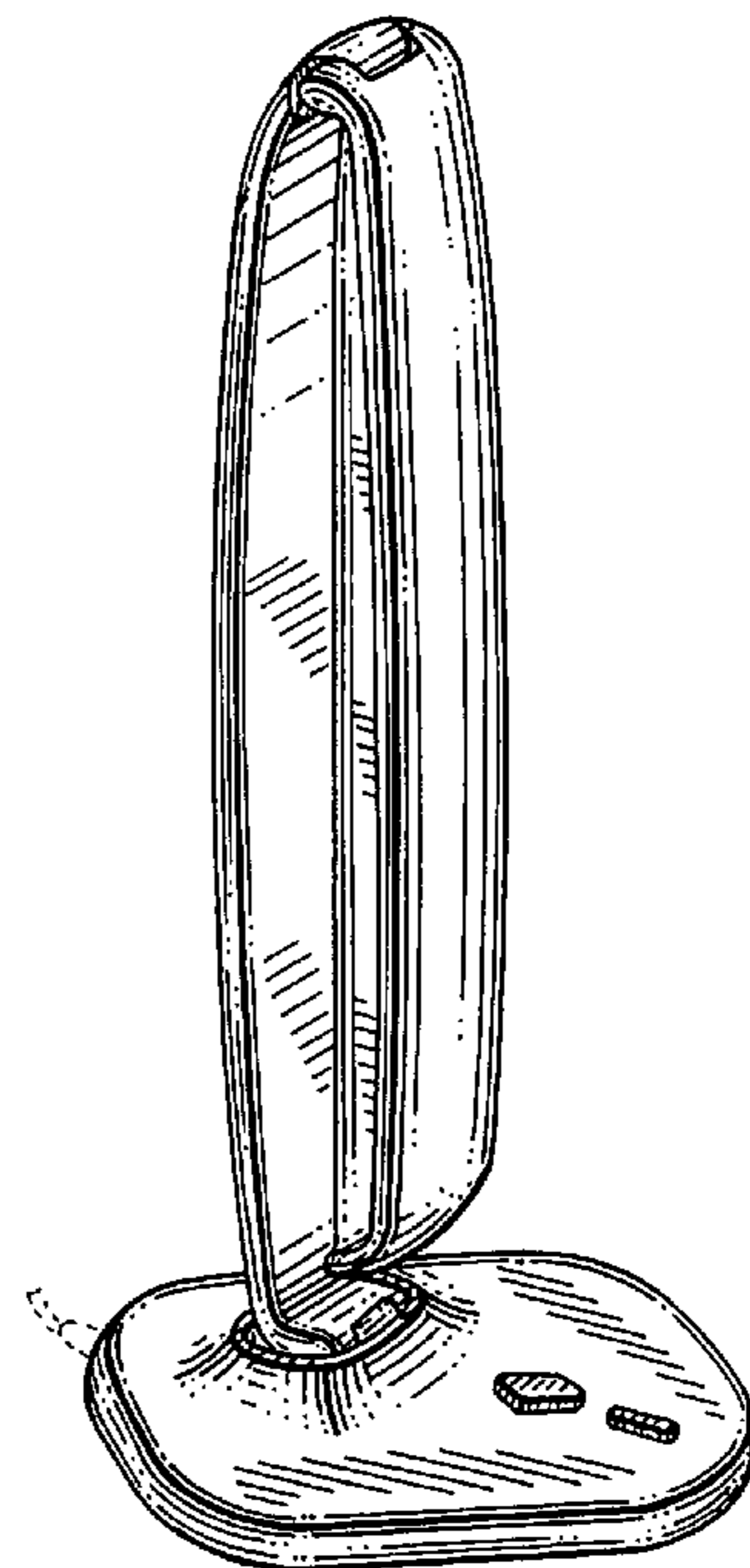
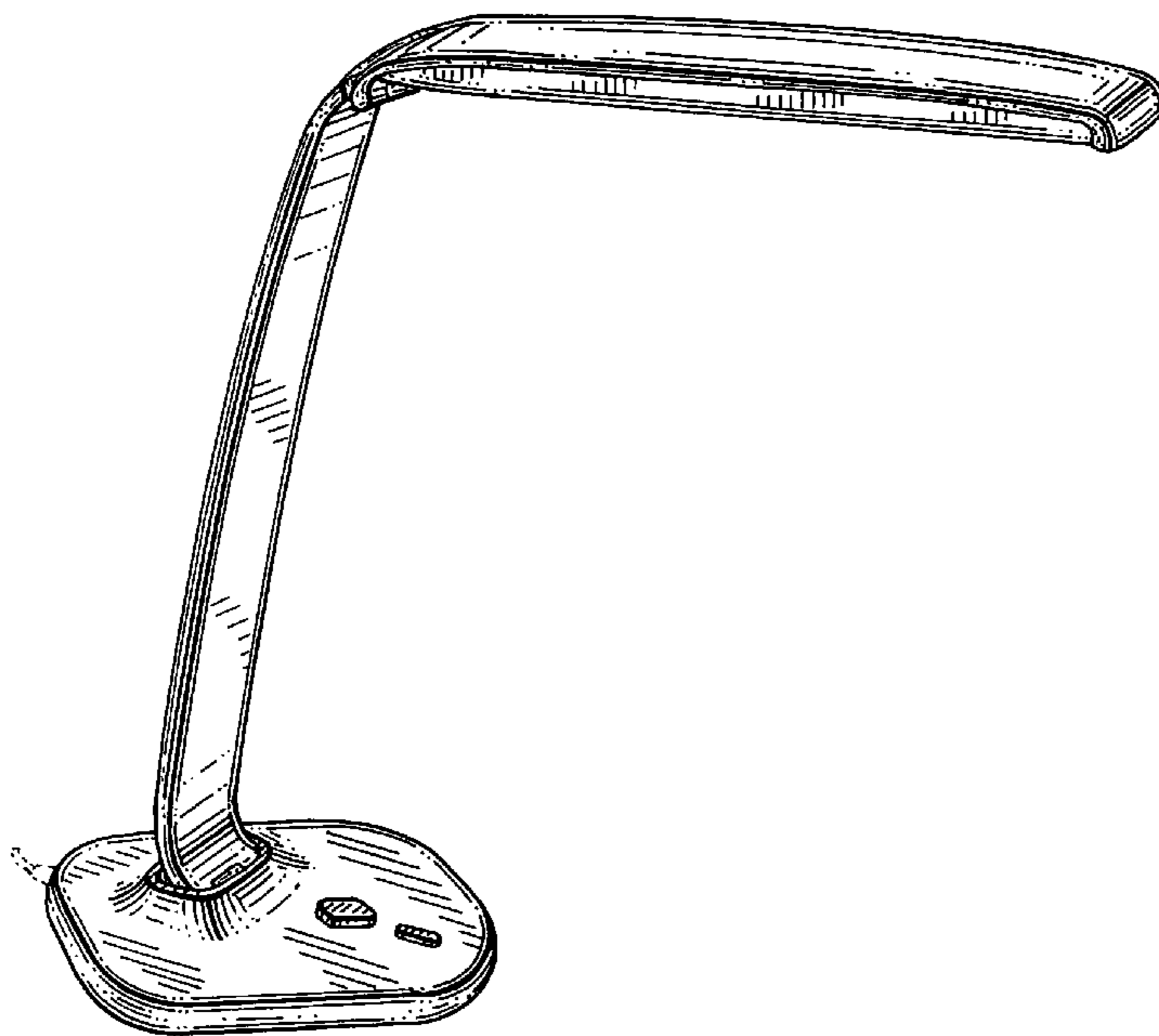
FIG. 5 is a back view thereof;

FIG. 6 is a bottom view thereof; and,

FIG. 7 is a perspective view thereof with the hinged arm pivoted to a closed position.

The broken lines shown on the drawings depict environment only and form no part of the claimed design.

1 Claim, 4 Drawing Sheets



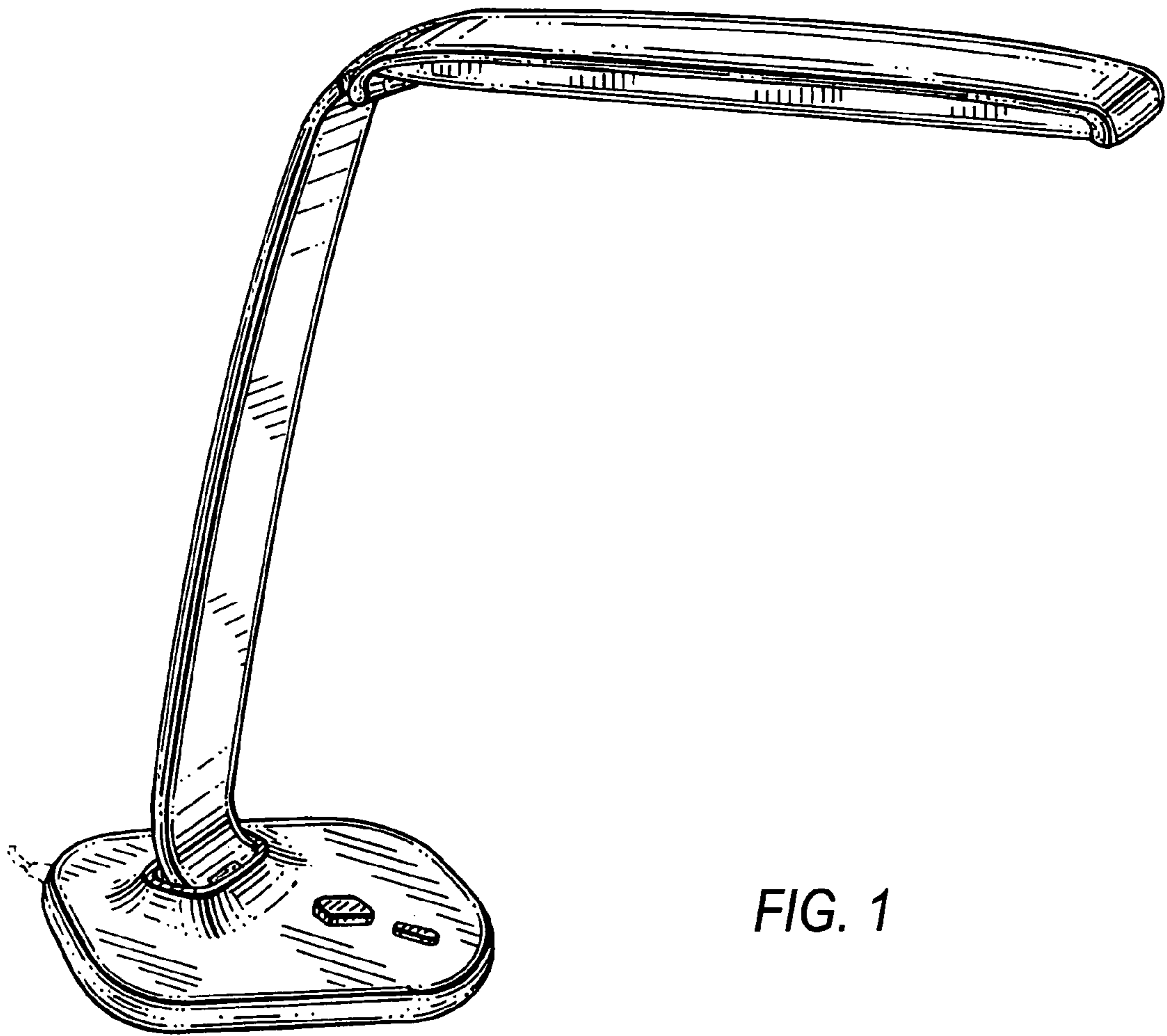


FIG. 1

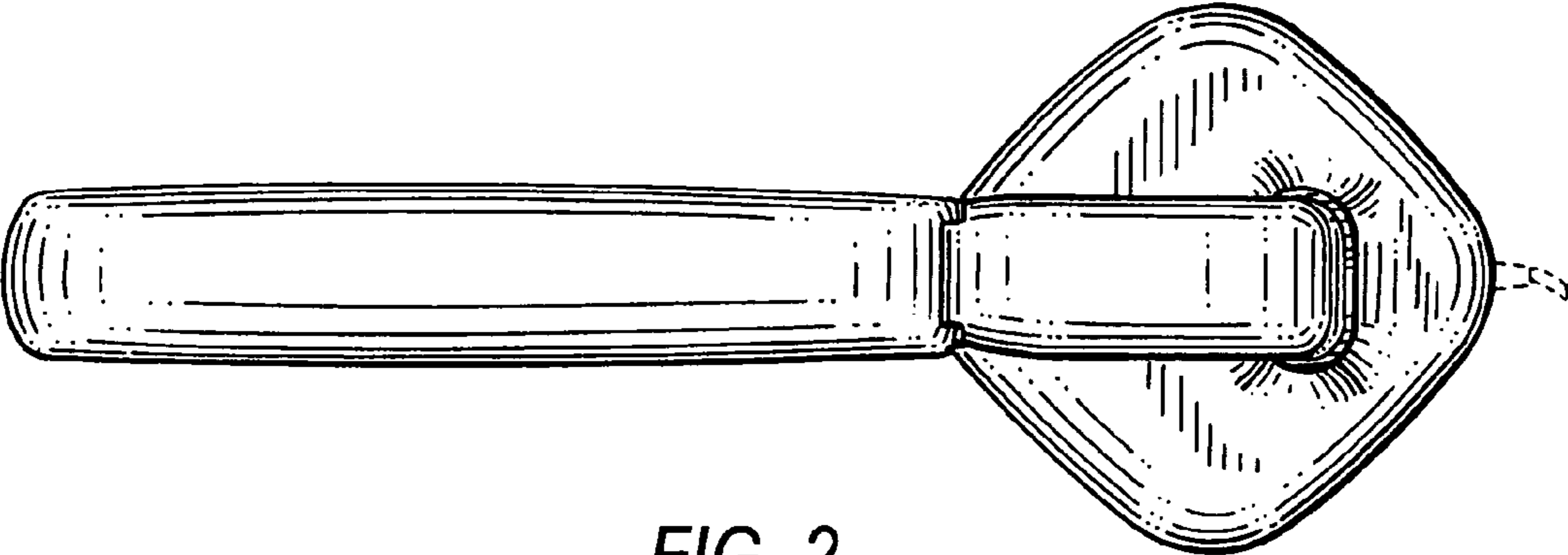


FIG. 2

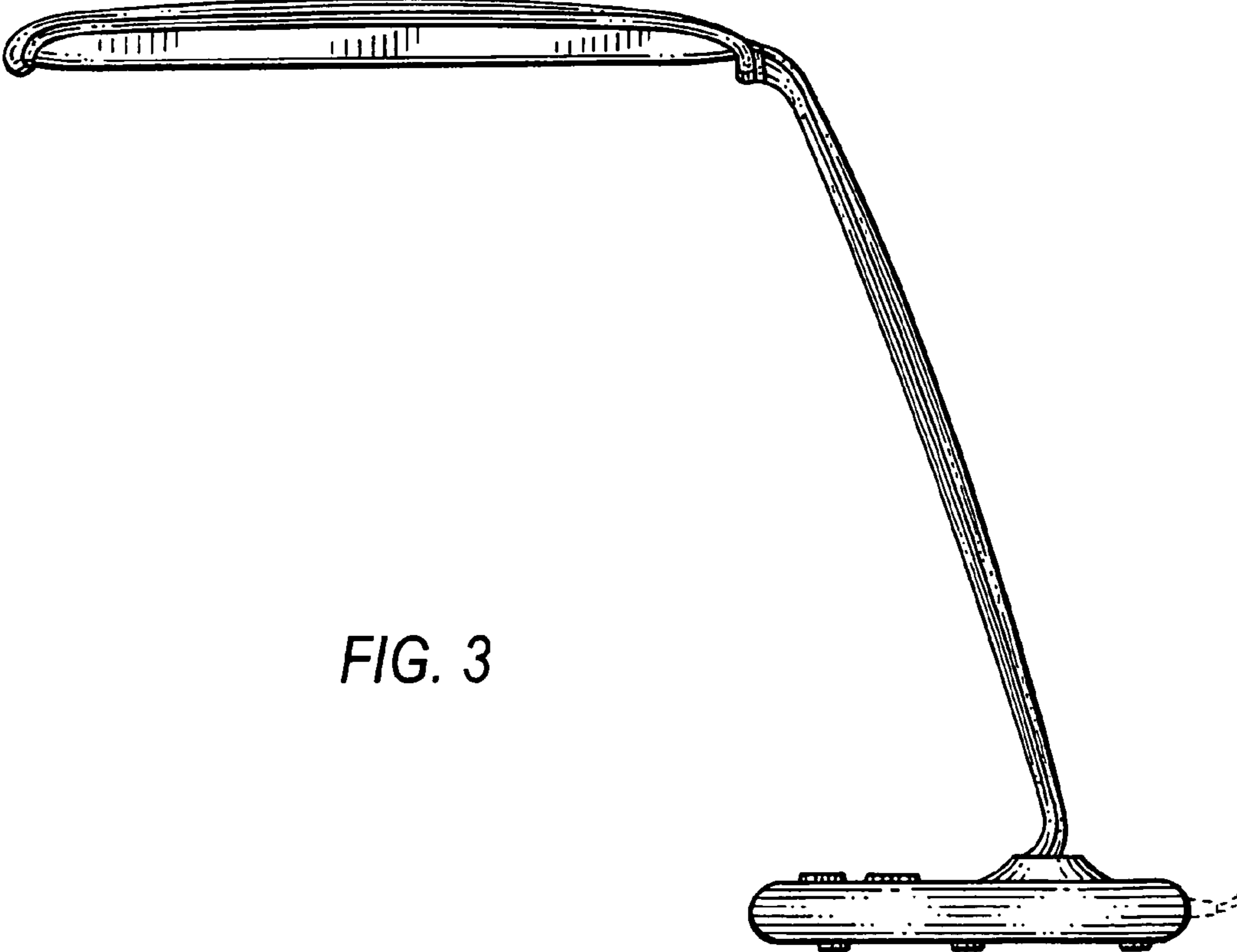


FIG. 3

FIG. 5

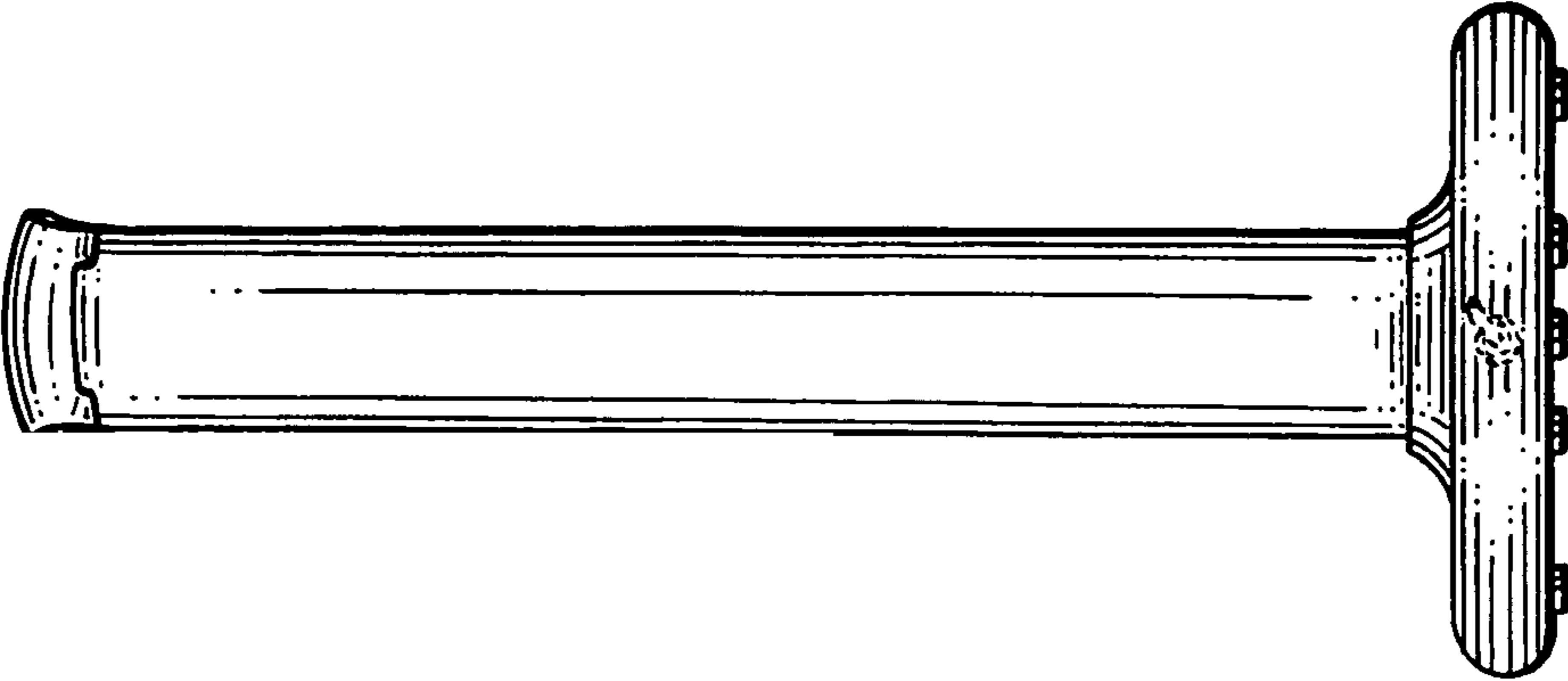


FIG. 4

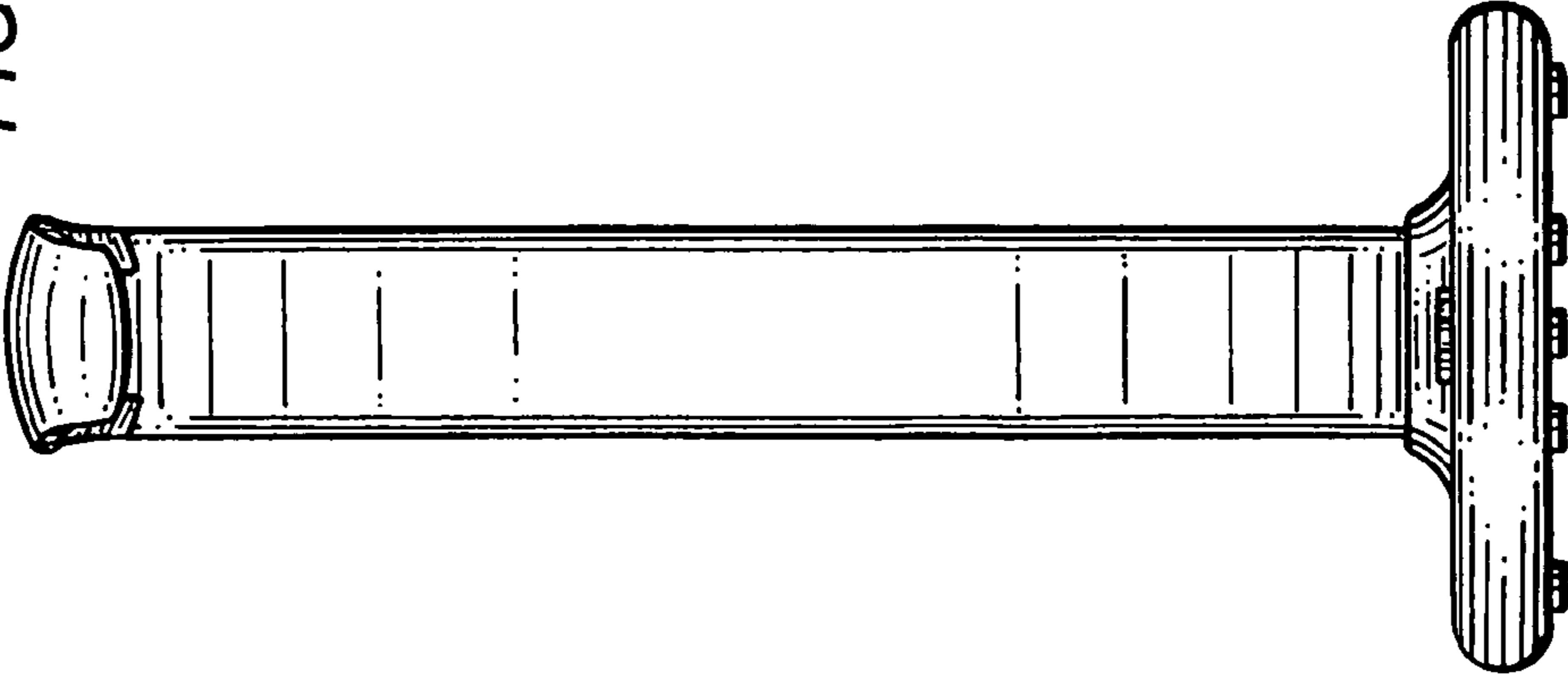


FIG. 6

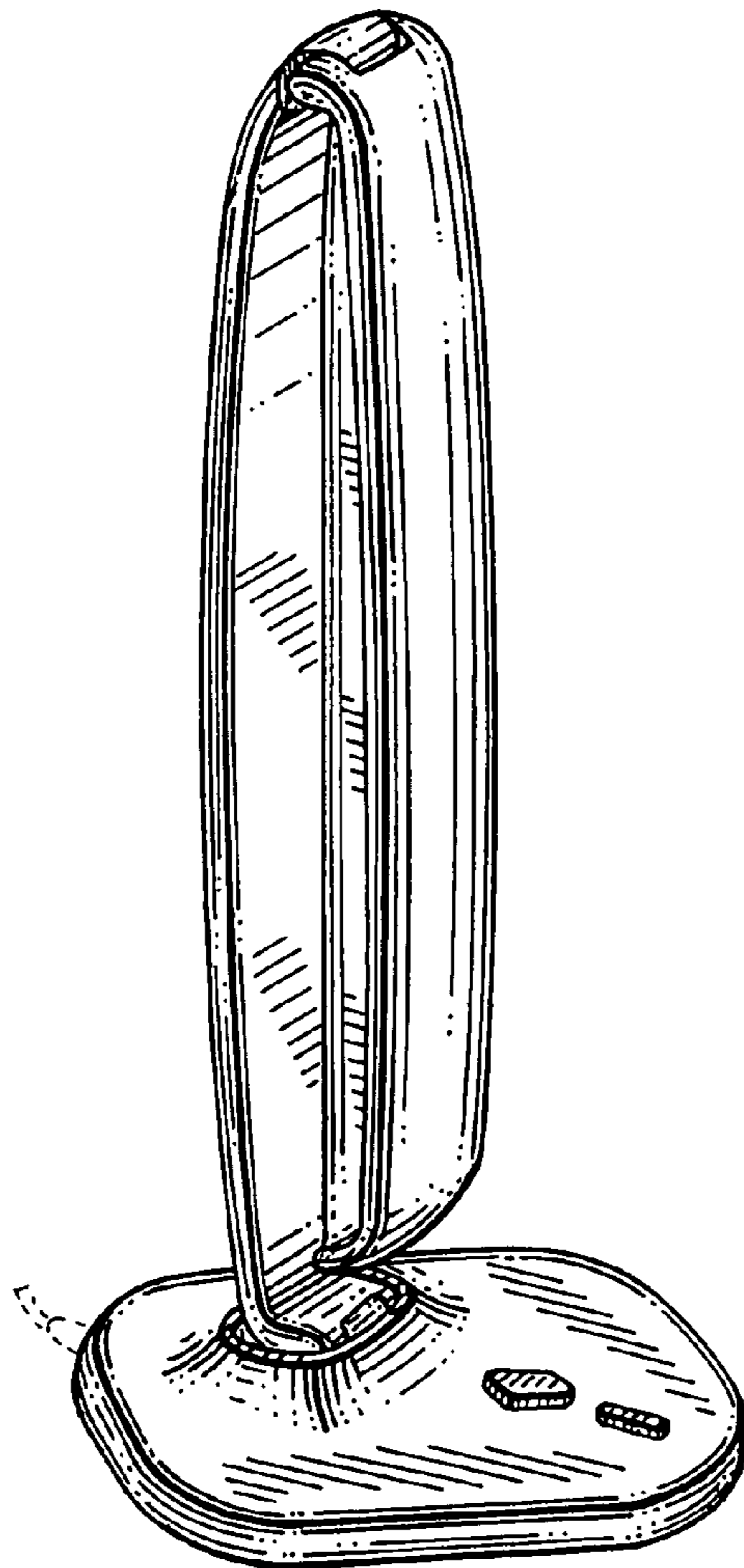
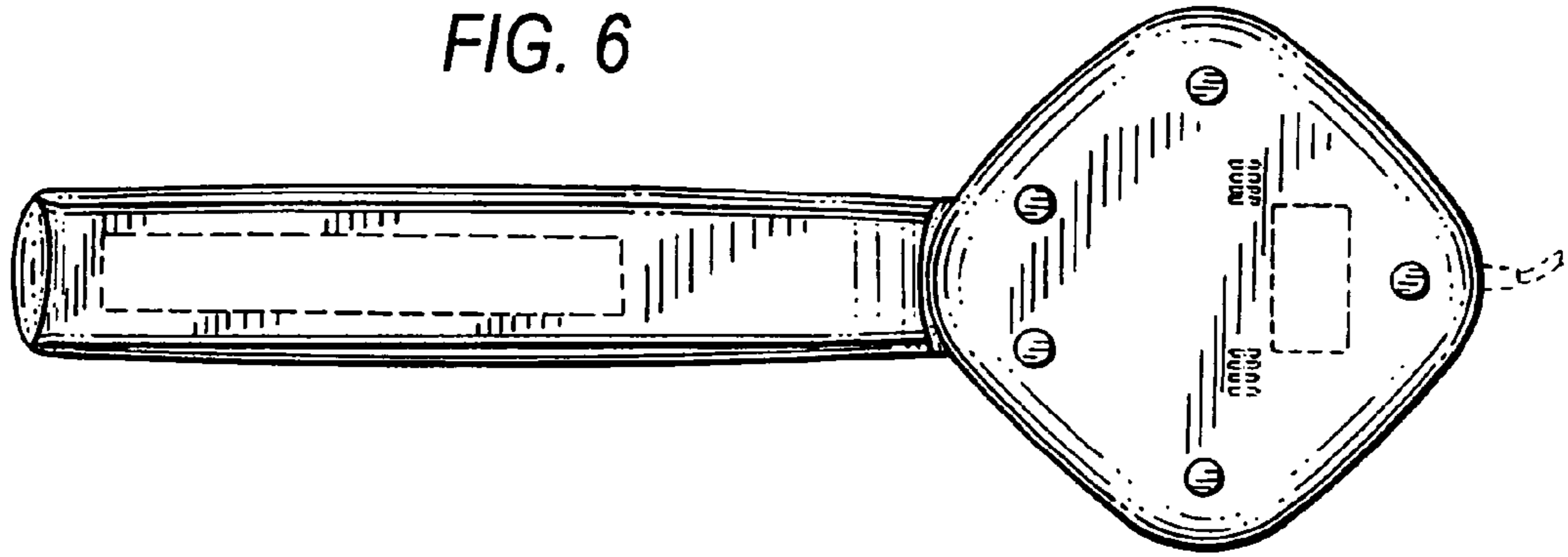


FIG. 7