



US00D617931S

(12) **United States Design Patent**  
**Chen**

(10) **Patent No.:** **US D617,931 S**  
(45) **Date of Patent:** **\*\* Jun. 15, 2010**

(54) **COMBINED PUCK LIGHT AND PIVOTING MOUNTING BRACKET**

2006/0171145 A1\* 8/2006 Ford et al. .... 362/200

(75) Inventor: **Chi Gon Chen**, Guang Zhou (CN)

\* cited by examiner

(73) Assignee: **International Development LLC**,  
Roanoke, TX (US)

*Primary Examiner*—Clare E Heflin

(74) *Attorney, Agent, or Firm*—David W. Carstens; Carstens & Cahoon, LLP

(\*\*) Term: **14 Years**

(57) **CLAIM**

(21) Appl. No.: **29/346,261**

The ornamental design for a combined puck light and pivoting mounting bracket, as shown and described.

(22) Filed: **Oct. 29, 2009**

**DESCRIPTION**

(51) **LOC (9) Cl.** ..... **26-05**

(52) **U.S. Cl.** ..... **D26/63; D26/60**

(58) **Field of Classification Search** ..... D26/28,  
D26/37, 44, 60, 61, 63, 72, 80; 362/191,  
362/196, 197, 200, 396, 397, 473–476

FIG. 1 is a front perspective view of the puck light and pivoting mounting bracket of the present invention in an engaged configuration;

FIG. 2 is a rear perspective view thereof;

FIG. 3 is an exploded front elevation view of the combined puck light and pivoting mounting bracket showing the present invention in the disengaged configuration;

FIG. 4 is an exploded rear elevation view thereof;

FIG. 5 is a an exploded left side elevation view thereof with the right side being a mirror image thereof;

FIG. 6 is a bottom plan view thereof;

FIG. 7 is a top plan view thereof;

FIG. 8 is a top plan view of the puck light portion of the combined puck light and pivoting mounting bracket, showing the present invention with the mounting bracket portion removed for illustrative purposes only; and,

FIG. 9 is a bottom plan view thereof.

The broken lines are shown in the views for illustrative purposes only and form no part of the claimed design.

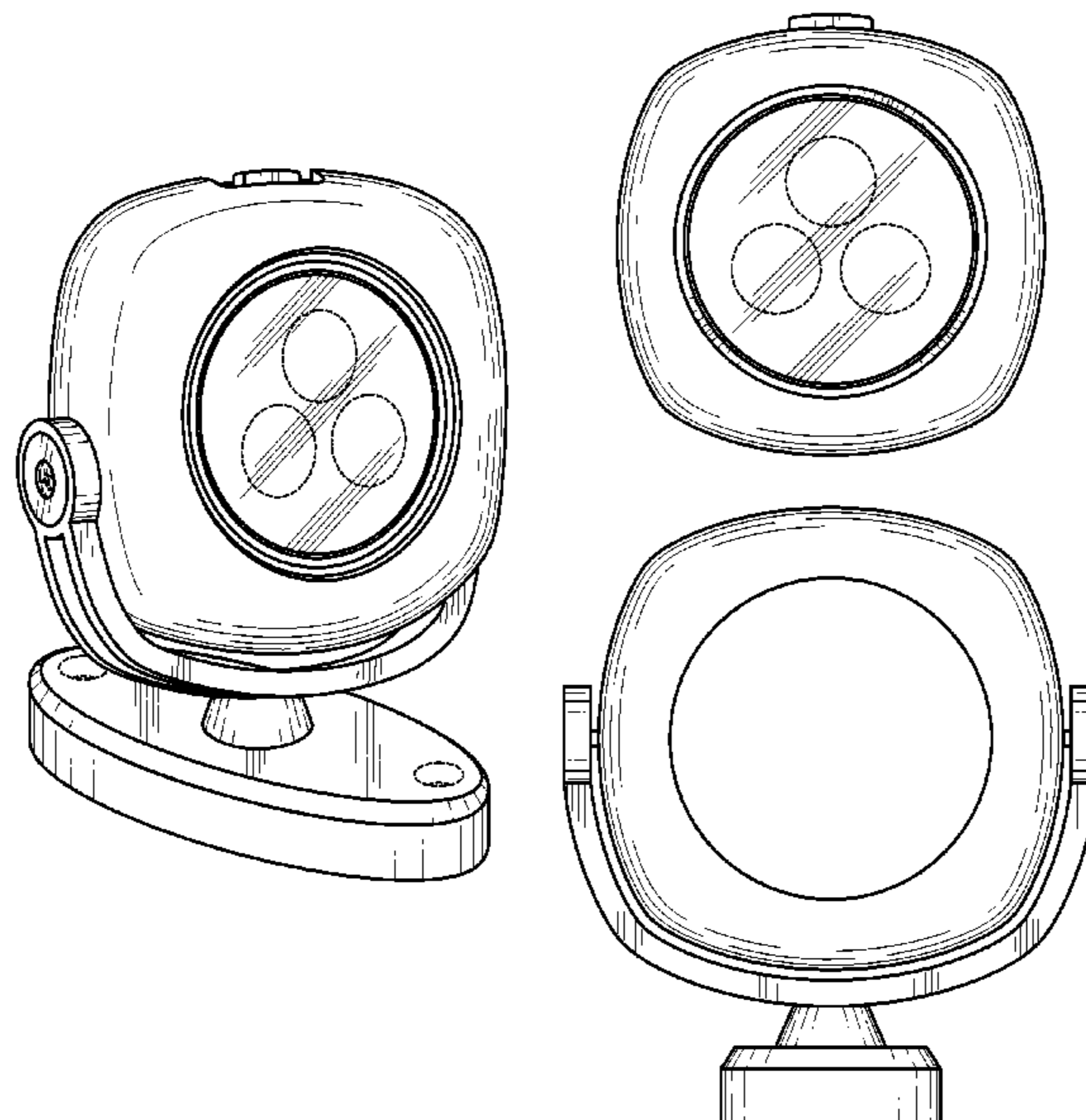
See application file for complete search history.

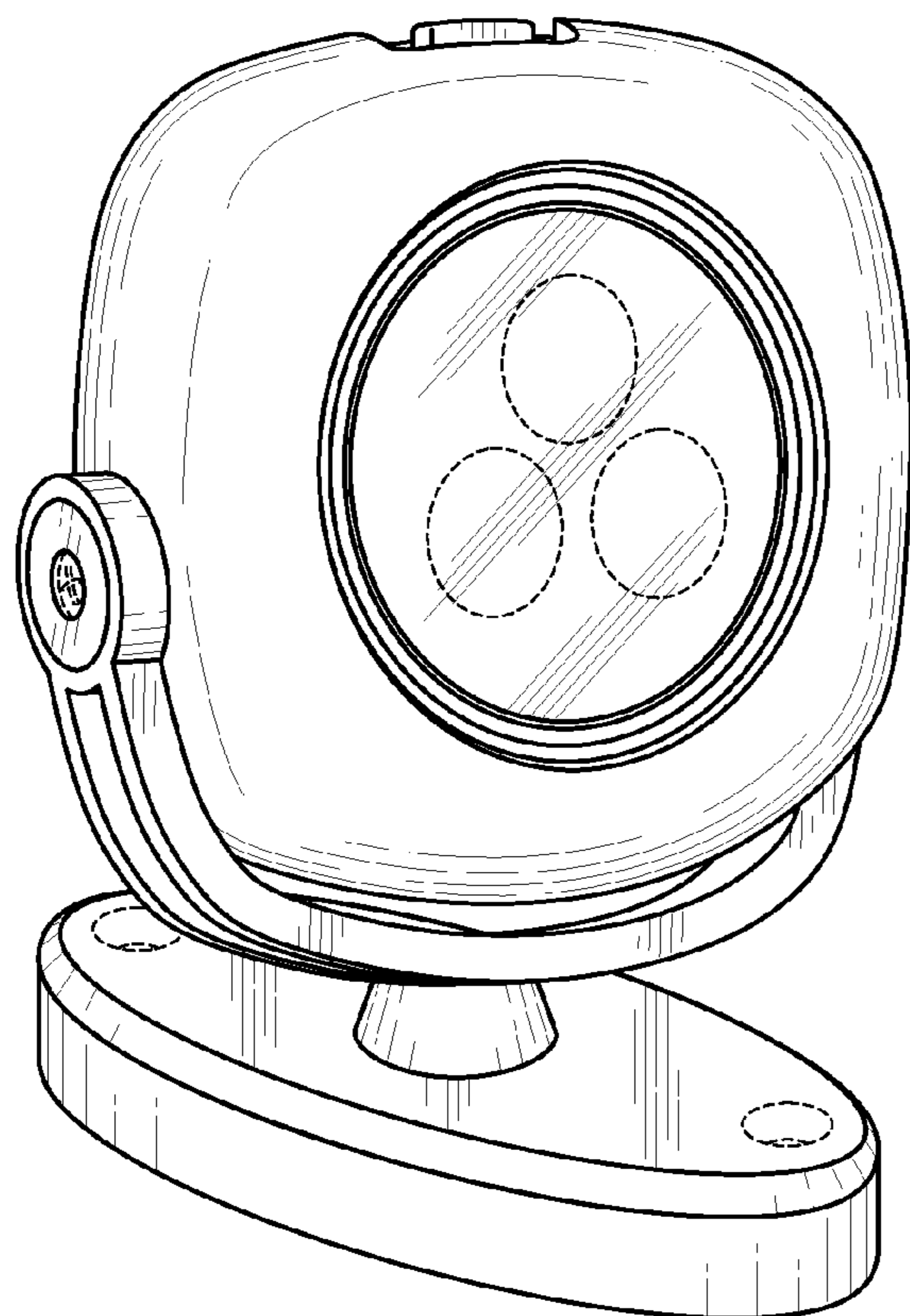
(56) **References Cited**

**U.S. PATENT DOCUMENTS**

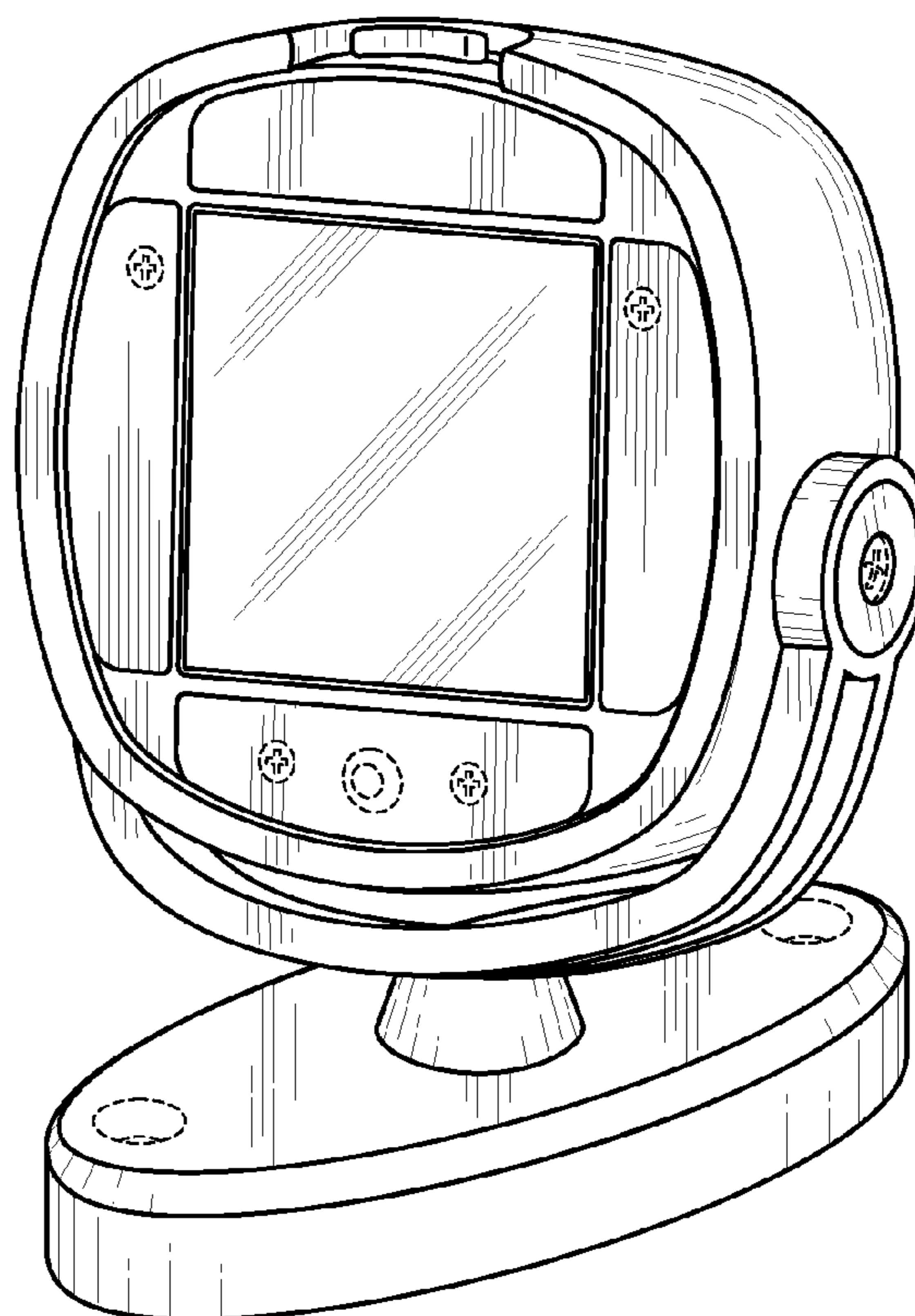
3,936,670	A *	2/1976	Allen, Sr.	362/258
4,075,470	A *	2/1978	Moore	362/287
4,635,171	A *	1/1987	Beiswenger	362/187
D346,234	S *	4/1994	Samms	D26/29
5,453,915	A *	9/1995	Bradley, III	362/144
D377,988	S *	2/1997	Brain et al.	D26/37
5,720,543	A *	2/1998	Sheps	362/196
D438,653	S *	3/2001	Ljungstrom	D26/28
D496,483	S *	9/2004	Christianson	D26/60
D518,586	S *	4/2006	Kaufman	D26/60
D544,388	S *	6/2007	Chisholm	D10/114
7,438,431	B2 *	10/2008	Ford et al.	362/116

**1 Claim, 5 Drawing Sheets**



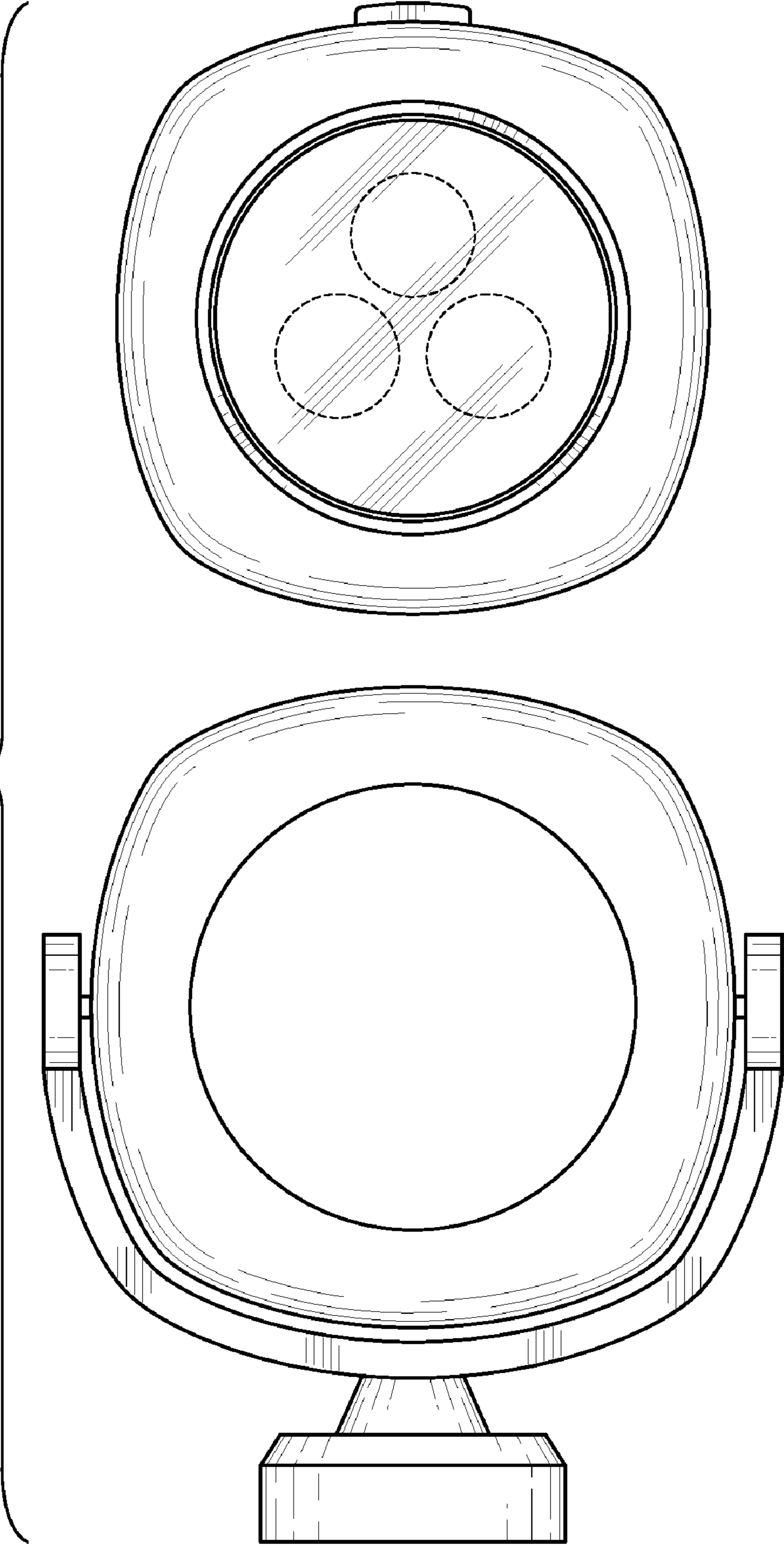


**FIG. 1**



**FIG. 2**

**FIG. 3**



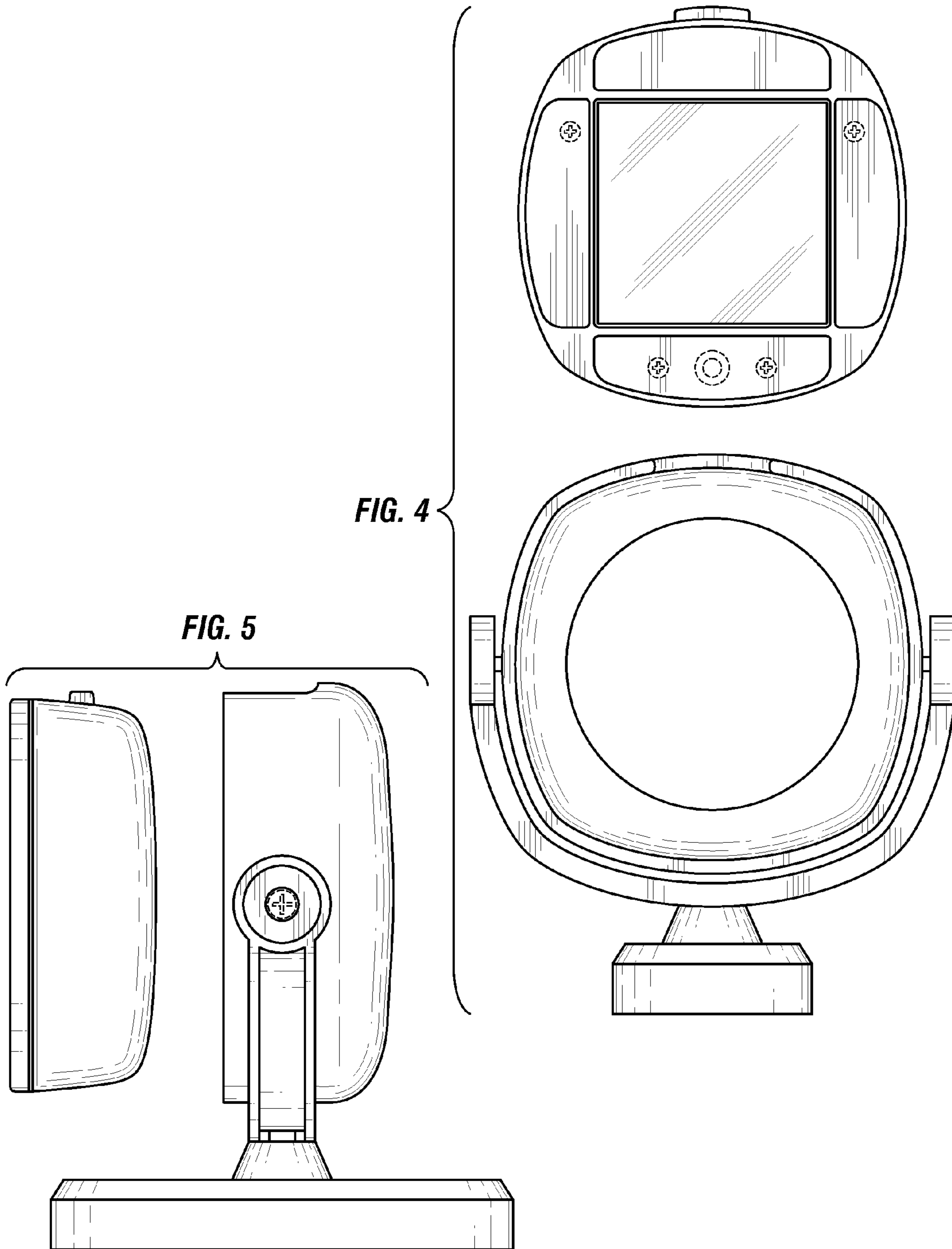
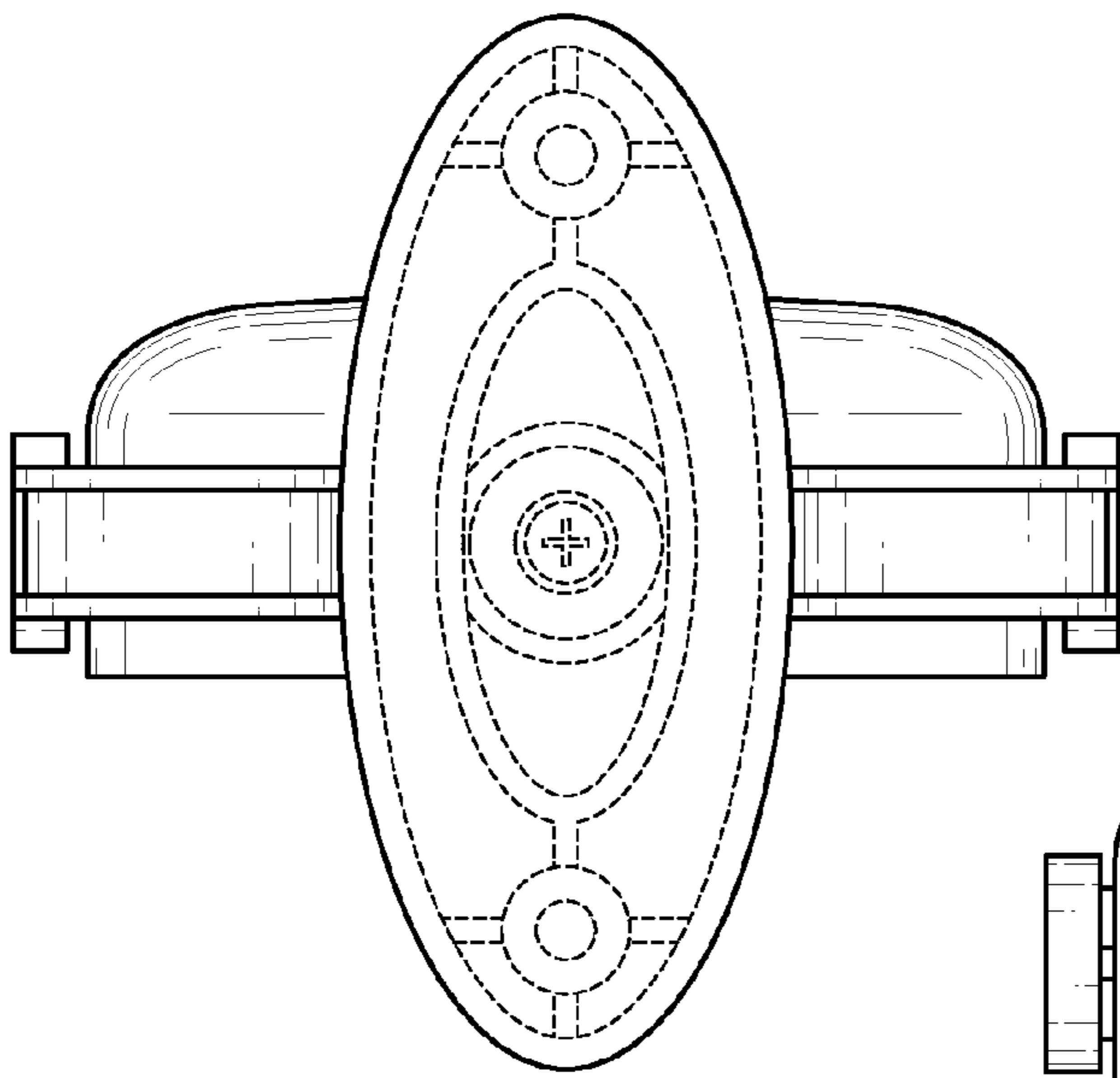
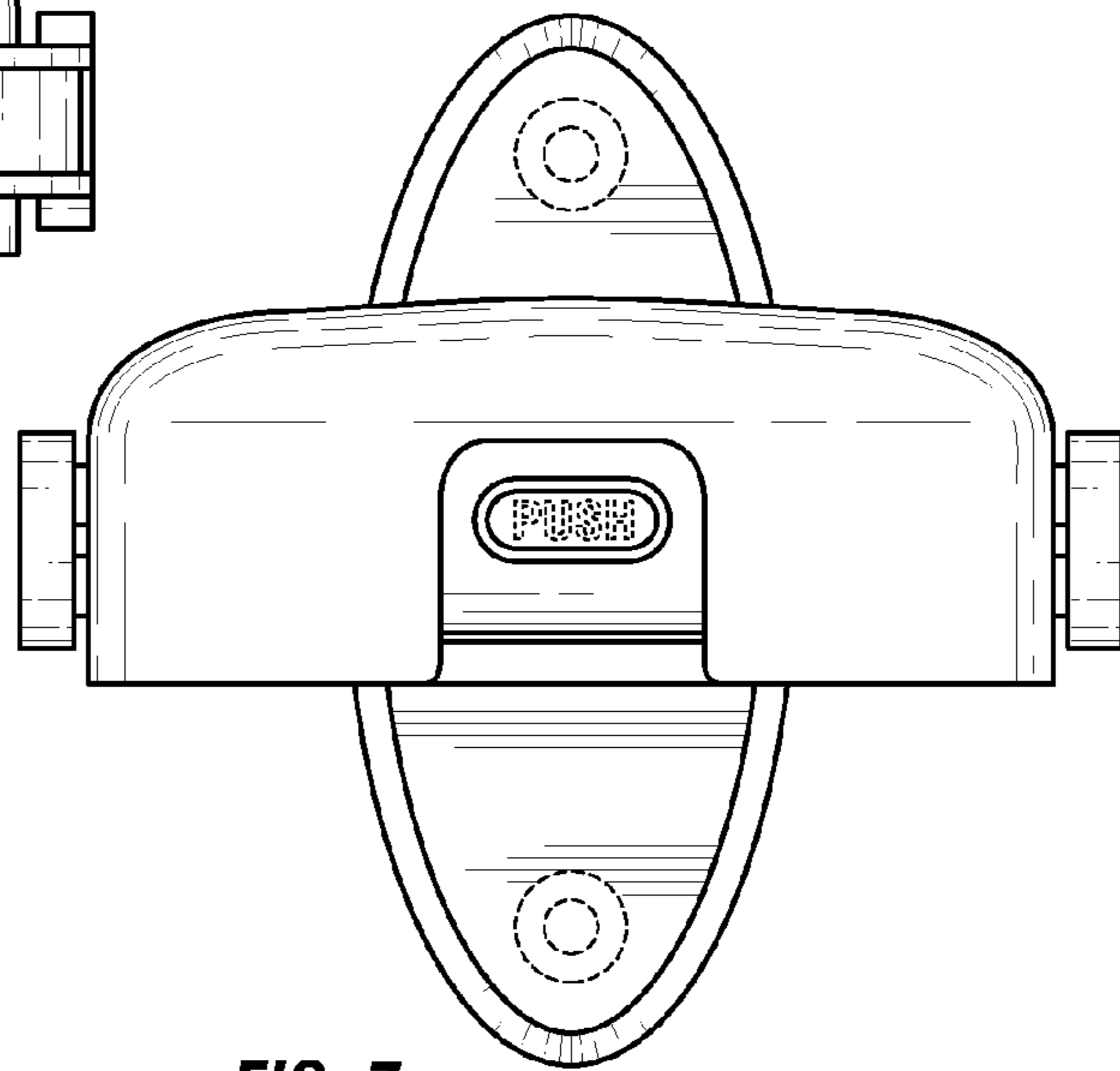


FIG. 4

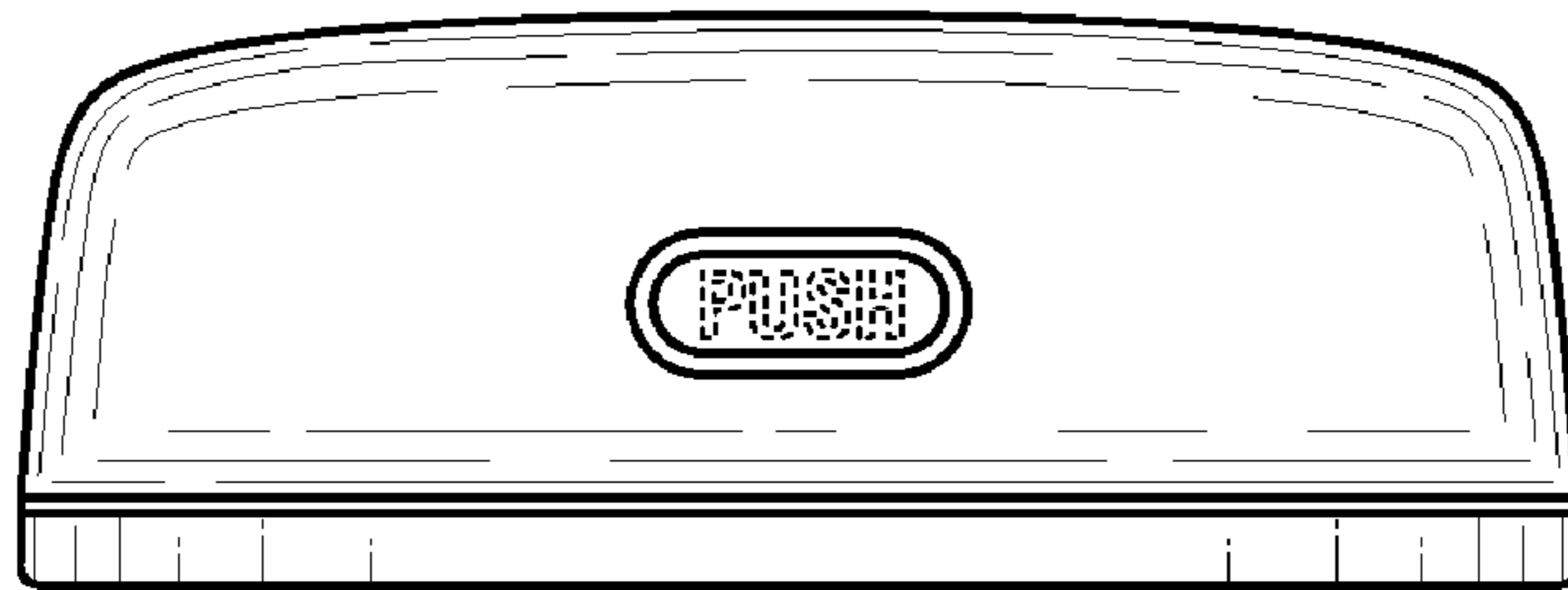
FIG. 5



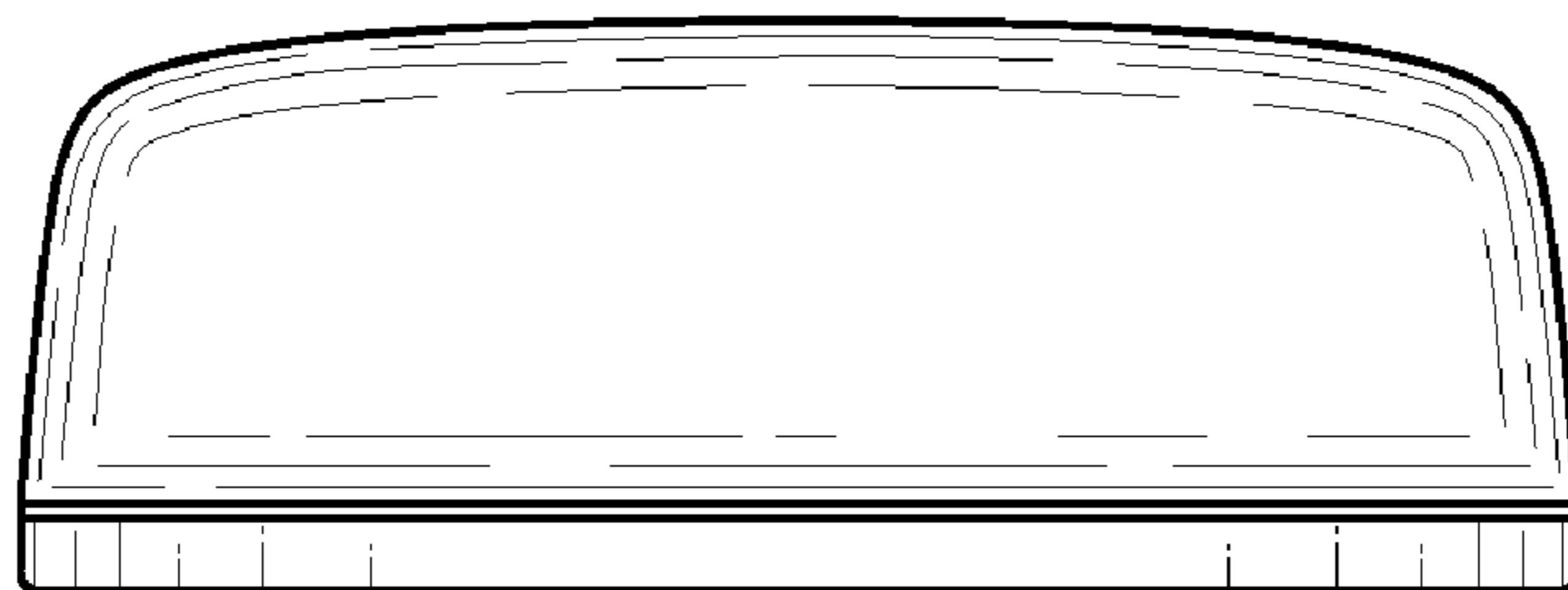
**FIG. 6**



**FIG. 7**



**FIG. 8**



**FIG. 9**