



US00D617930S

(12) **United States Design Patent**
Chen

(10) **Patent No.:** **US D617,930 S**
(45) **Date of Patent:** **** Jun. 15, 2010**

(54) **COMBINED PUCK LIGHT AND PIVOTING MOUNTING BRACKET**

(75) Inventor: **Chi Gon Chen**, Guang Zhou (CN)

(73) Assignee: **International Development LLC**,
Roanoke, TX (US)

(**) Term: **14 Years**

(21) Appl. No.: **29/346,260**

(22) Filed: **Oct. 29, 2009**

(51) **LOC (9) Cl.** **26-05**

(52) **U.S. Cl.** **D26/63; D26/60**

(58) **Field of Classification Search** D26/28,
D26/37, 44, 60, 61, 63, 72, 80; 362/191,
362/196, 197, 200, 396, 397, 473-476
See application file for complete search history.

(56) **References Cited**

U.S. PATENT DOCUMENTS

D111,886 S *	10/1938	Zagel	D26/60
3,813,004 A *	5/1974	Andreaggi	248/471
3,936,670 A *	2/1976	Allen, Sr.	362/258
4,075,470 A *	2/1978	Moore	362/287
4,410,933 A *	10/1983	Blake et al.	362/371
5,283,547 A *	2/1994	Leon	340/432
D346,234 S *	4/1994	Sammis	D26/29
5,453,915 A *	9/1995	Bradley, III	362/144
5,469,345 A *	11/1995	Pettersen et al.	362/188
5,720,543 A *	2/1998	Sheps	362/196
D496,483 S *	9/2004	Christianson	D26/60
6,877,875 B2 *	4/2005	Yu et al.	362/105

D544,117 S * 6/2007 Coushaine D26/37

* cited by examiner

Primary Examiner—Clare E Heflin

(74) *Attorney, Agent, or Firm*—David W. Carstens; Carstens & Cahoon, LLP

(57) **CLAIM**

The ornamental design for a combined puck light and pivoting mounting bracket, as shown and described.

DESCRIPTION

FIG. 1 is a front perspective view of the combined puck light and pivoting mounting bracket of the present invention in an engaged configuration;

FIG. 2 is a rear perspective view thereof;

FIG. 3 is an exploded front elevation view of the combined puck light and pivoting mounting bracket showing the present invention in the disengaged configuration;

FIG. 4 is an exploded rear elevation view thereof;

FIG. 5 is an exploded left side elevation view thereof with the right side being a mirror image thereof;

FIG. 6 is a bottom plan view thereof;

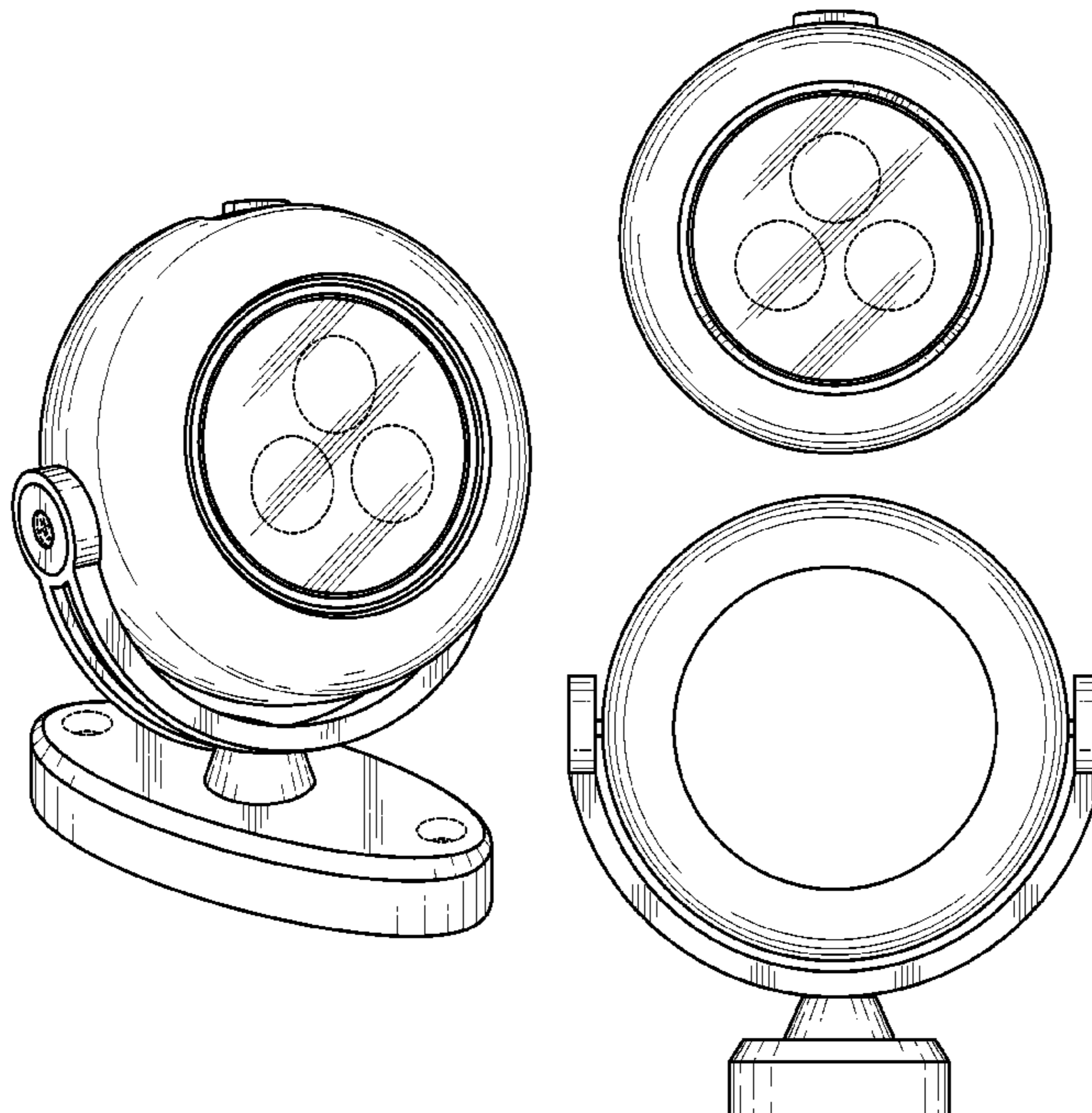
FIG. 7 is a top plan view thereof;

FIG. 8 is a top plan view of the puck light portion of the combined puck light and pivoting mounting bracket, showing the present invention with the mounting bracket portion removed for illustrative purposes only; and,

FIG. 9 is a bottom plan view thereof.

The broken lines are shown in the views for illustrative purposes only and form no part of the claimed design.

1 Claim, 5 Drawing Sheets



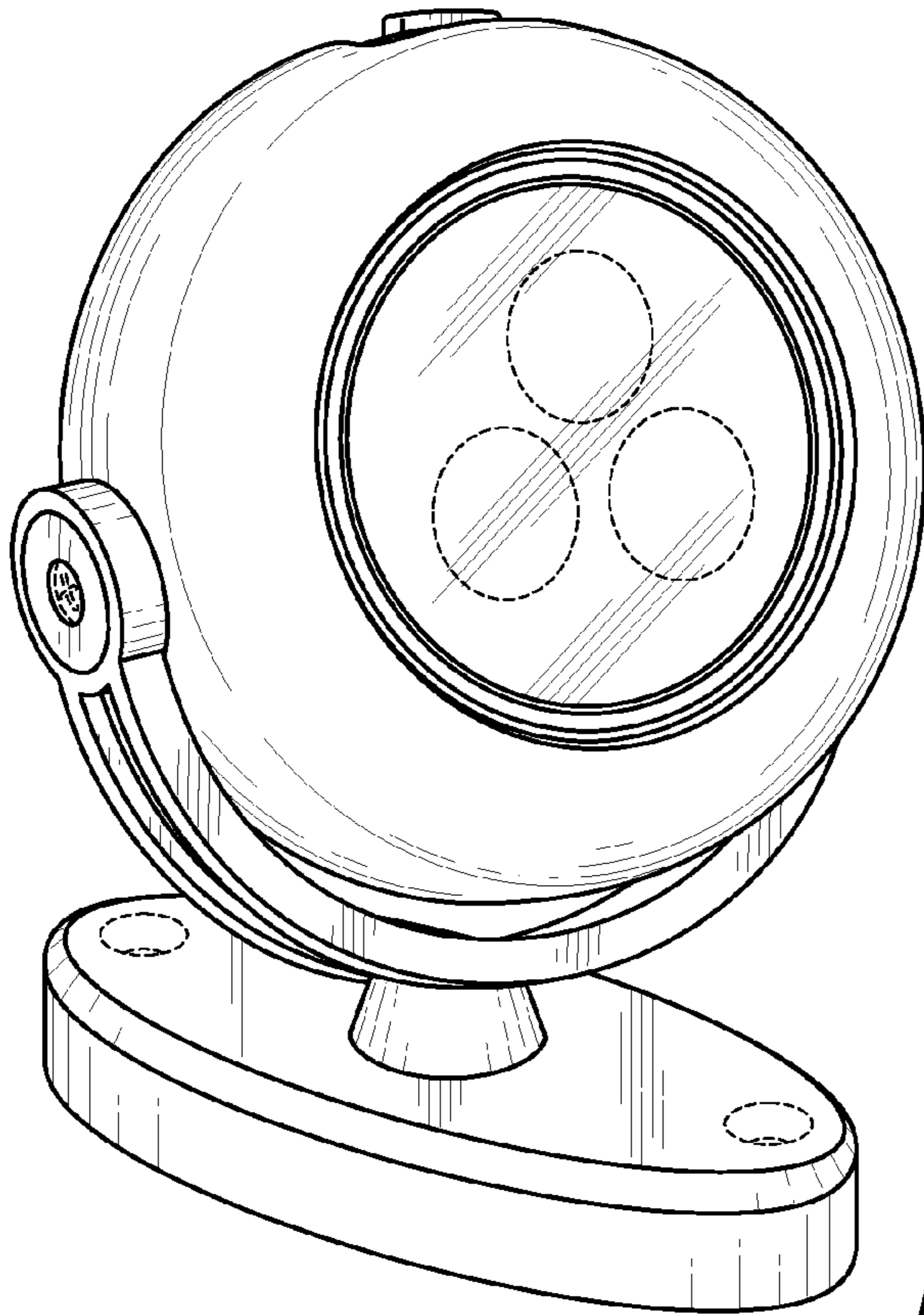


FIG. 1

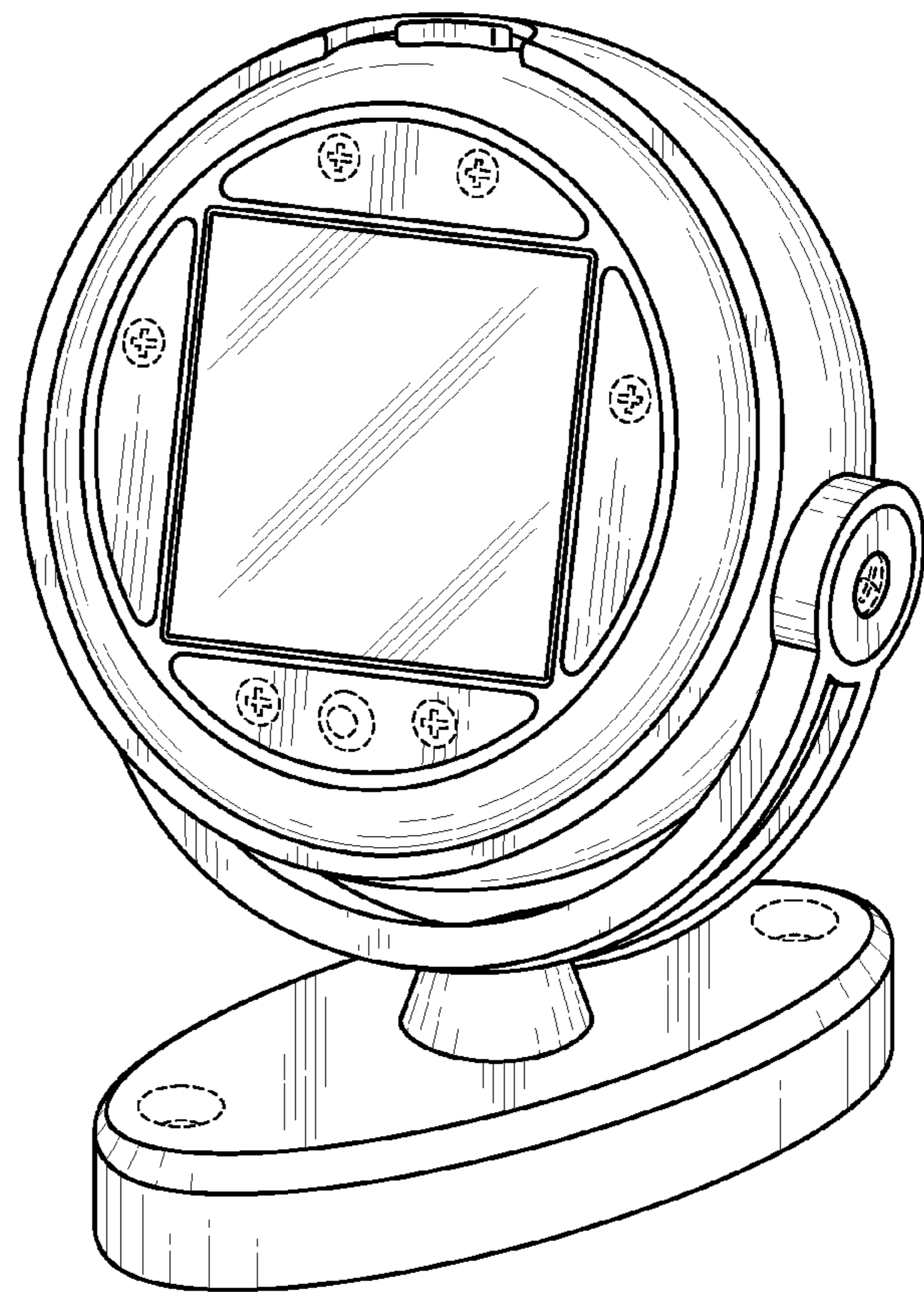
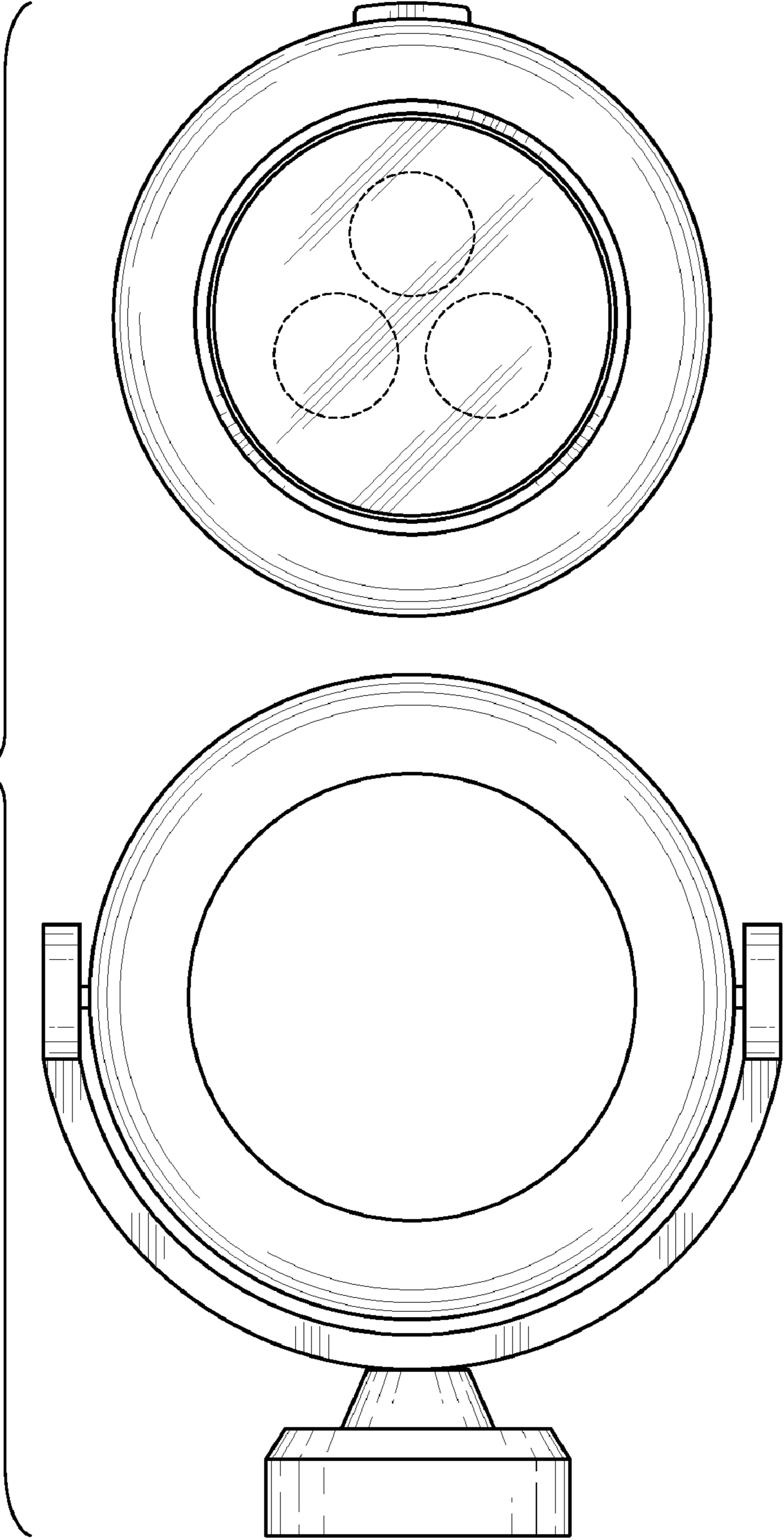


FIG. 2

FIG. 3



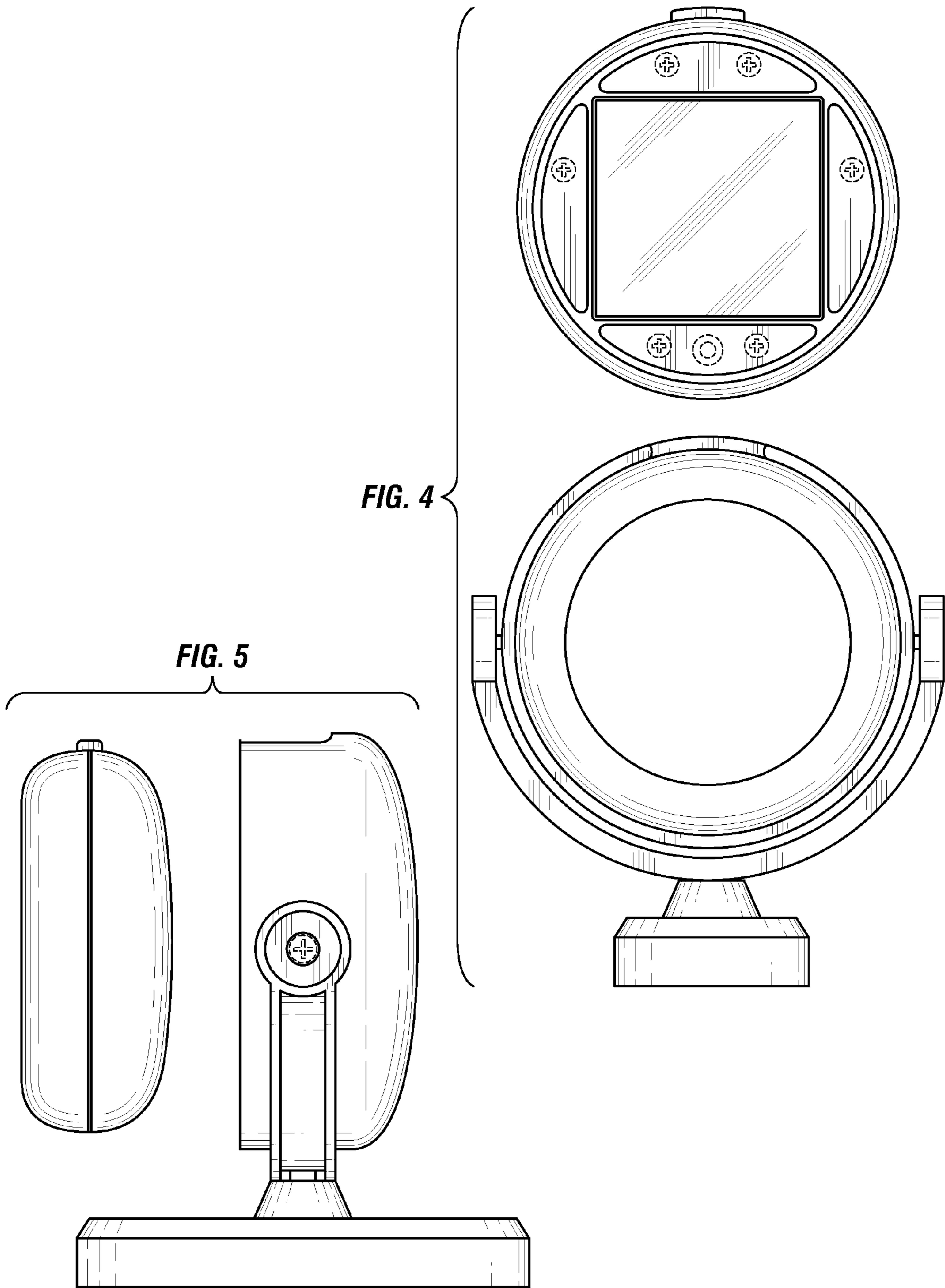


FIG. 4

FIG. 5

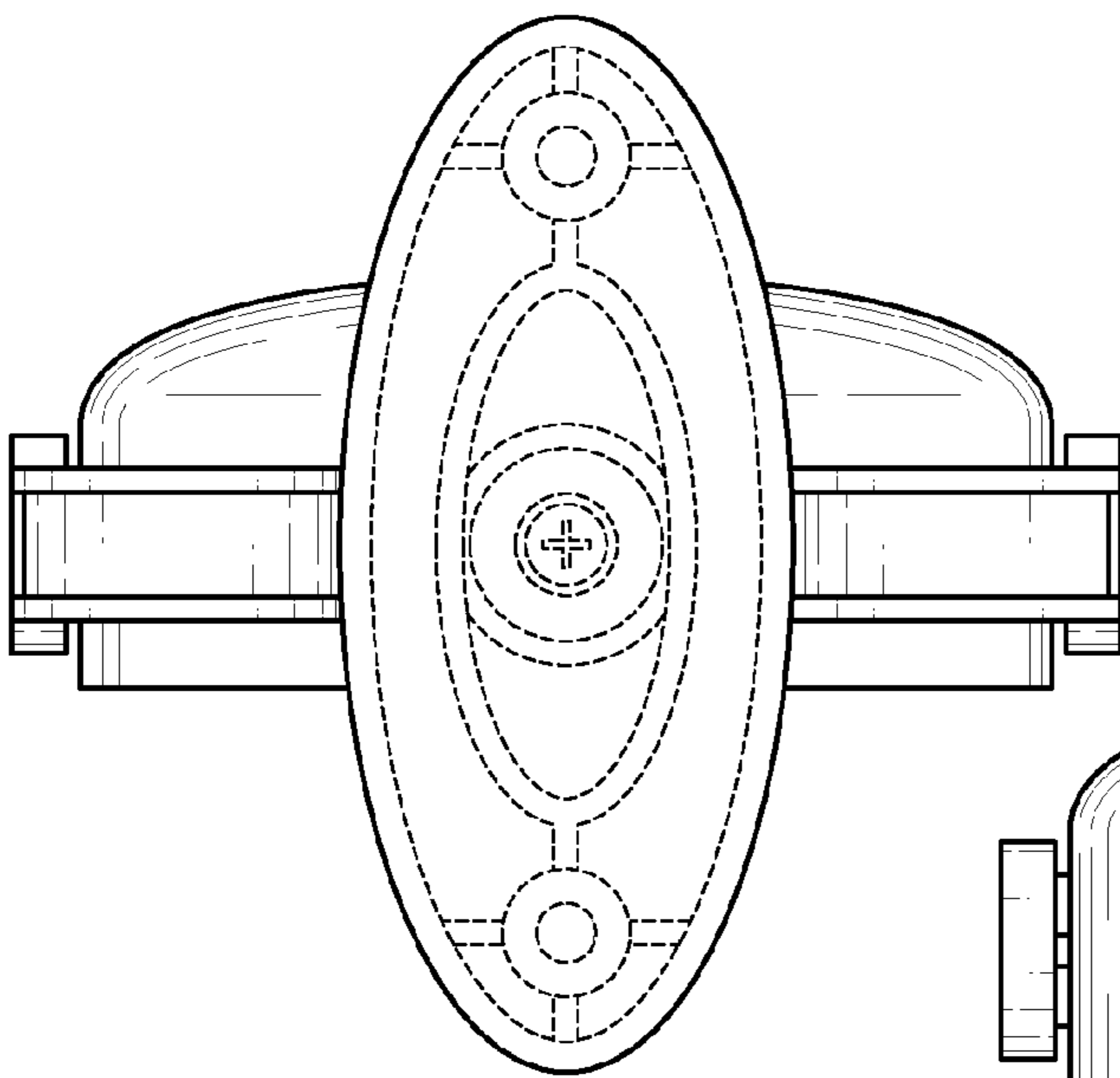


FIG. 6

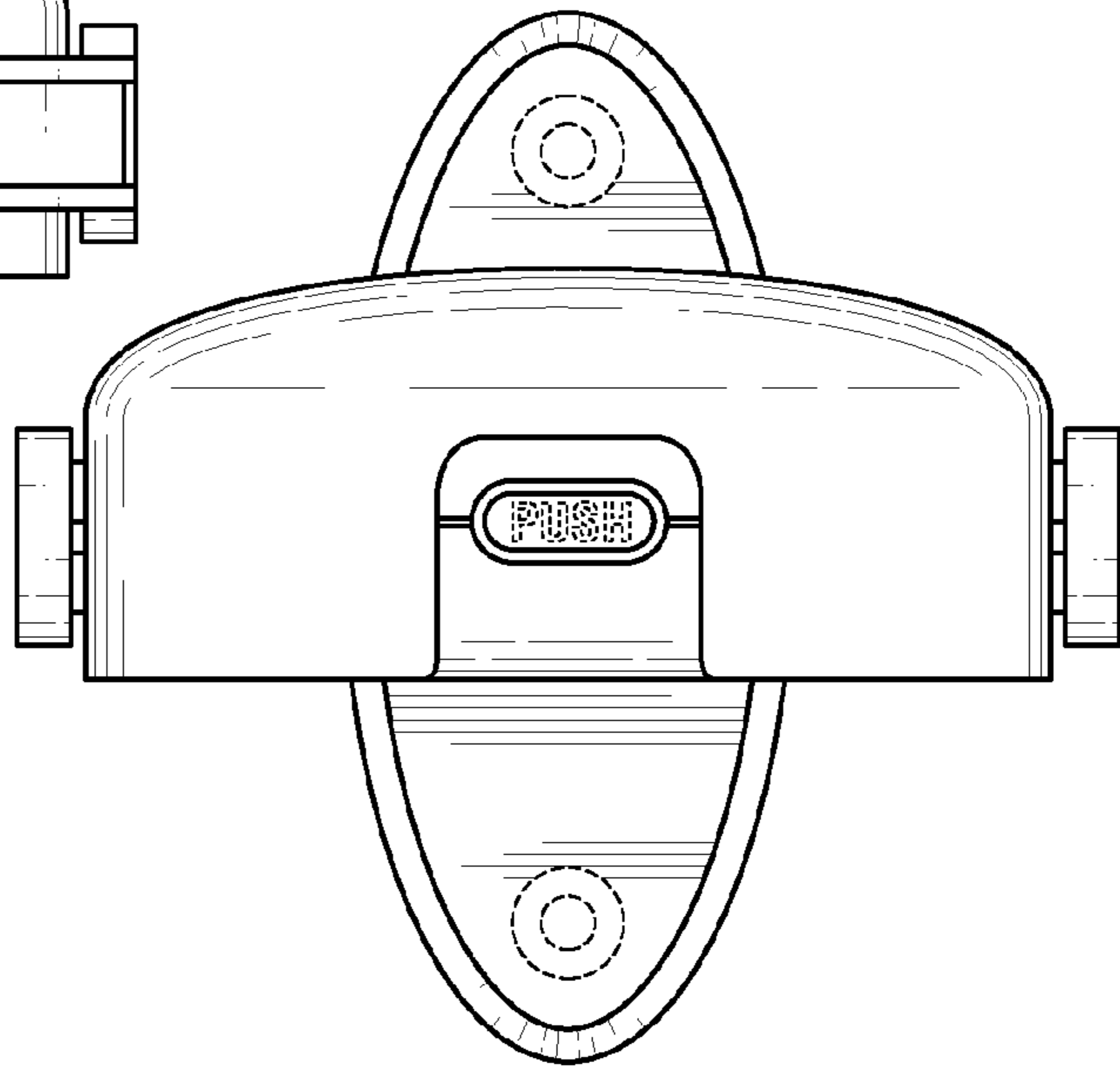


FIG. 7

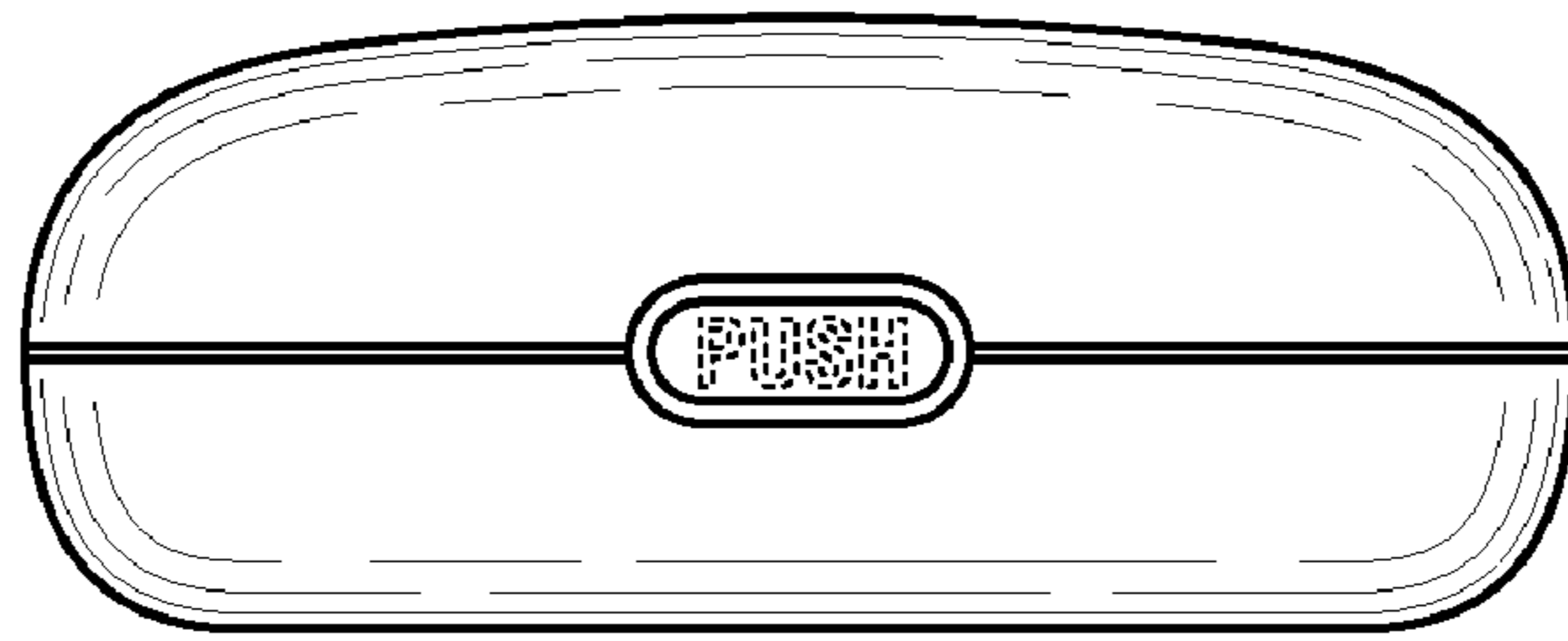


FIG. 8

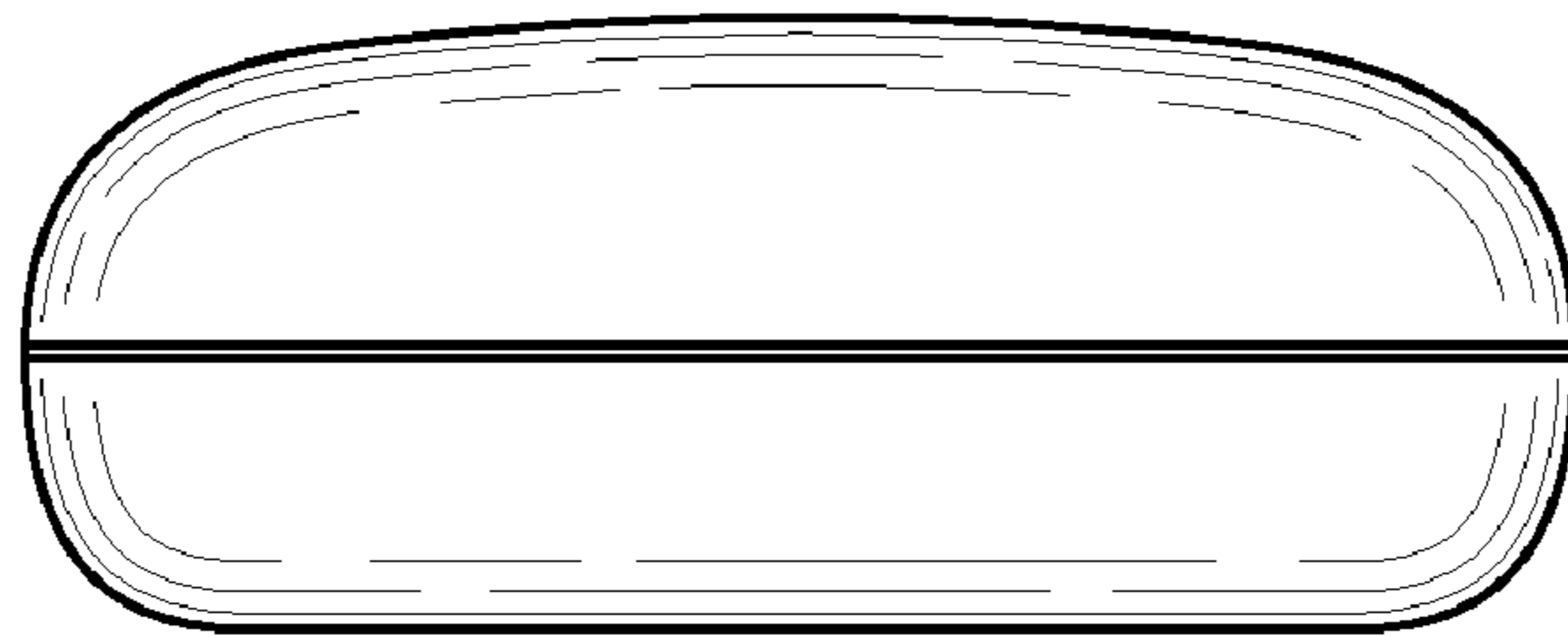


FIG. 9