



US00D617928S

(12) **United States Design Patent**
Fredricks

(10) **Patent No.:** **US D617,928 S**
(45) **Date of Patent:** **** Jun. 15, 2010**

(54) **AQUARIUM LIGHT WITH LATCH**

(75) Inventor: **Dennis Fredricks**, Escondido, CA (US)

(73) Assignee: **Cogent Designs, Inc.**, Escondido, CA (US)

(**) Term: **14 Years**

(21) Appl. No.: **29/332,702**

(22) Filed: **Feb. 23, 2009**

(51) **LOC (9) Cl.** **26-05**

(52) **U.S. Cl.** **D26/51; D26/63**

(58) **Field of Classification Search** D26/37-51,
D26/58, 60-92, 106-109; D30/101, 104-107;
119/265-267; 362/157, 158, 184, 194-208,
362/101

See application file for complete search history.

(56) **References Cited**

U.S. PATENT DOCUMENTS

D202,805 S *	11/1965	Scafuro	D30/107
3,834,351 A *	9/1974	Schmidt	119/266
D348,946 S *	7/1994	Watters et al.	D26/76
5,353,746 A *	10/1994	Del Rosario	119/266
6,065,849 A *	5/2000	Chen	362/101
D485,635 S *	1/2004	Schuetz et al.	D26/76
D522,678 S *	6/2006	Wang	D26/61

D533,675 S * 12/2006 Didier et al. D26/67

* cited by examiner

Primary Examiner—Philip S Hyder

Assistant Examiner—Linda G. Brooks

(74) *Attorney, Agent, or Firm*—Sheppard Mullin Richter & Hampton LLP; David E. Heisey

(57) **CLAIM**

We claim the ornamental design for an aquarium light with latch, as shown and described.

DESCRIPTION

FIG. 1 is a perspective view of an aquarium light with latch embodying the new design.

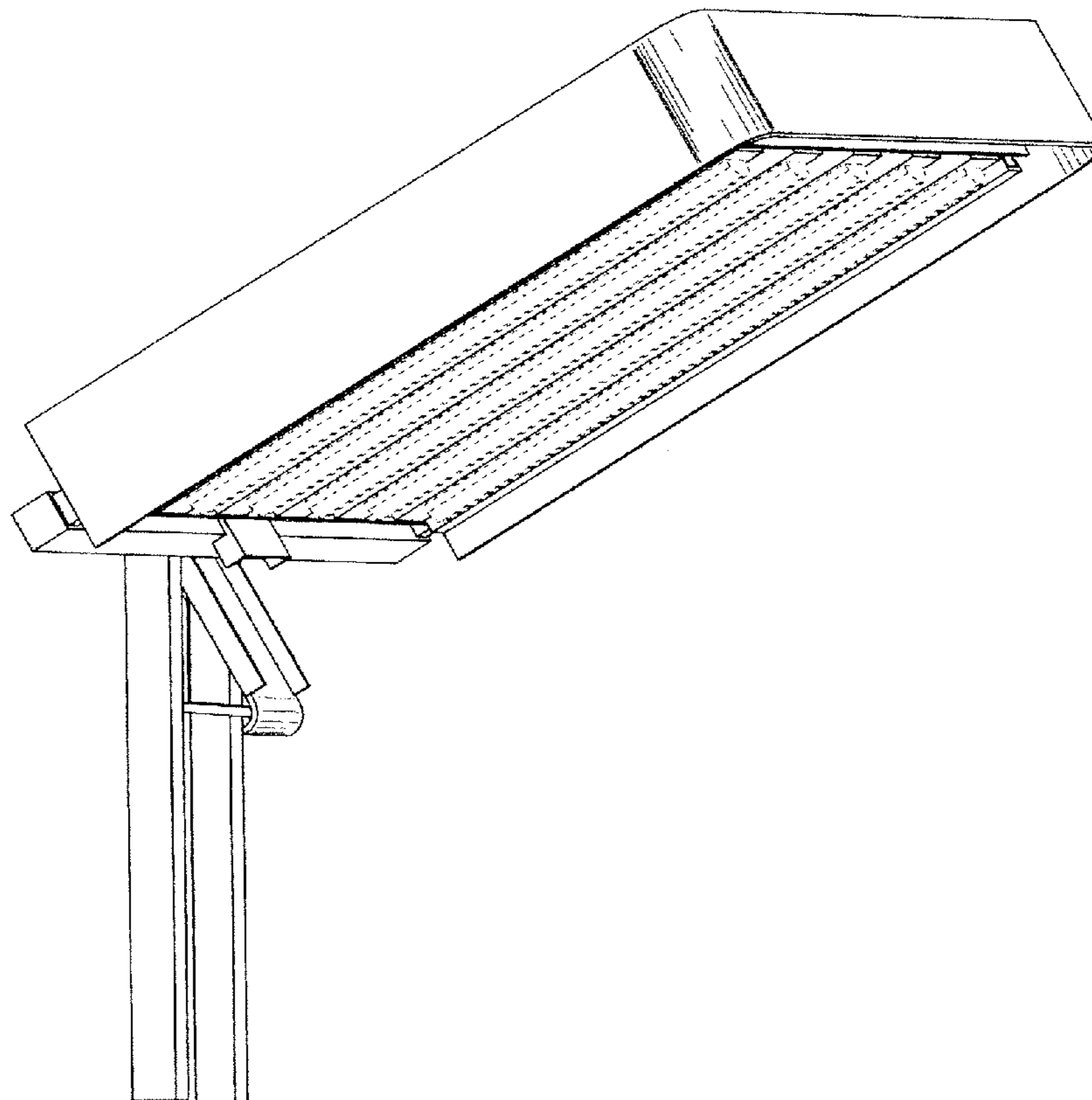
FIG. 2 is a bottom perspective view of the aquarium light with latch embodying the new design.

FIG. 3 is a side view of the aquarium light with latch embodying the new design; and,

FIG. 4 is a top view of the aquarium light with latch embodying the new design.

The broken lines illustrating the aquarium are for the purpose of illustrating an environmental structure that forms no part of the claimed design, and other broken lines illustrate portions of the aquarium light with latch that form no part of the claimed design.

1 Claim, 4 Drawing Sheets



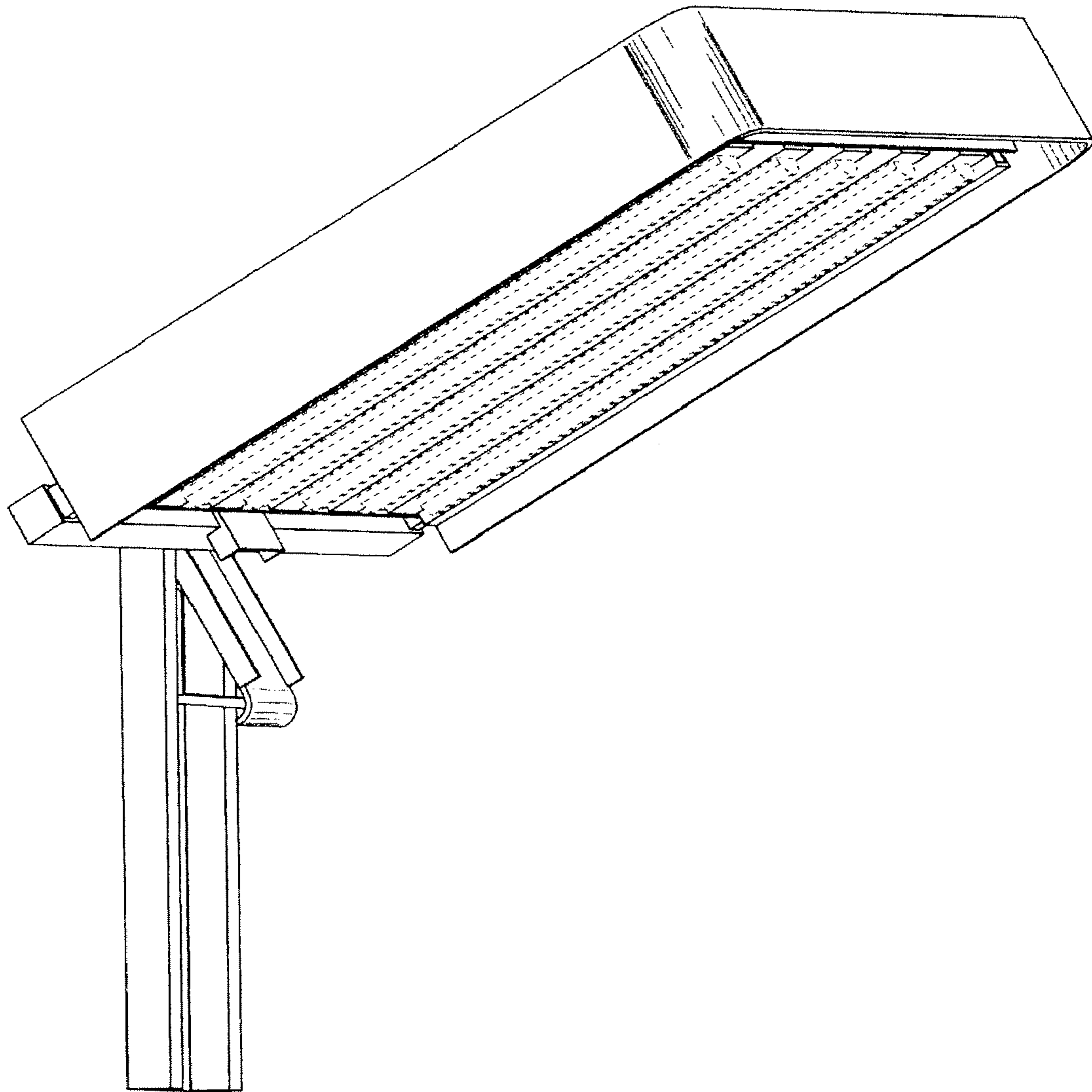


FIG. 1

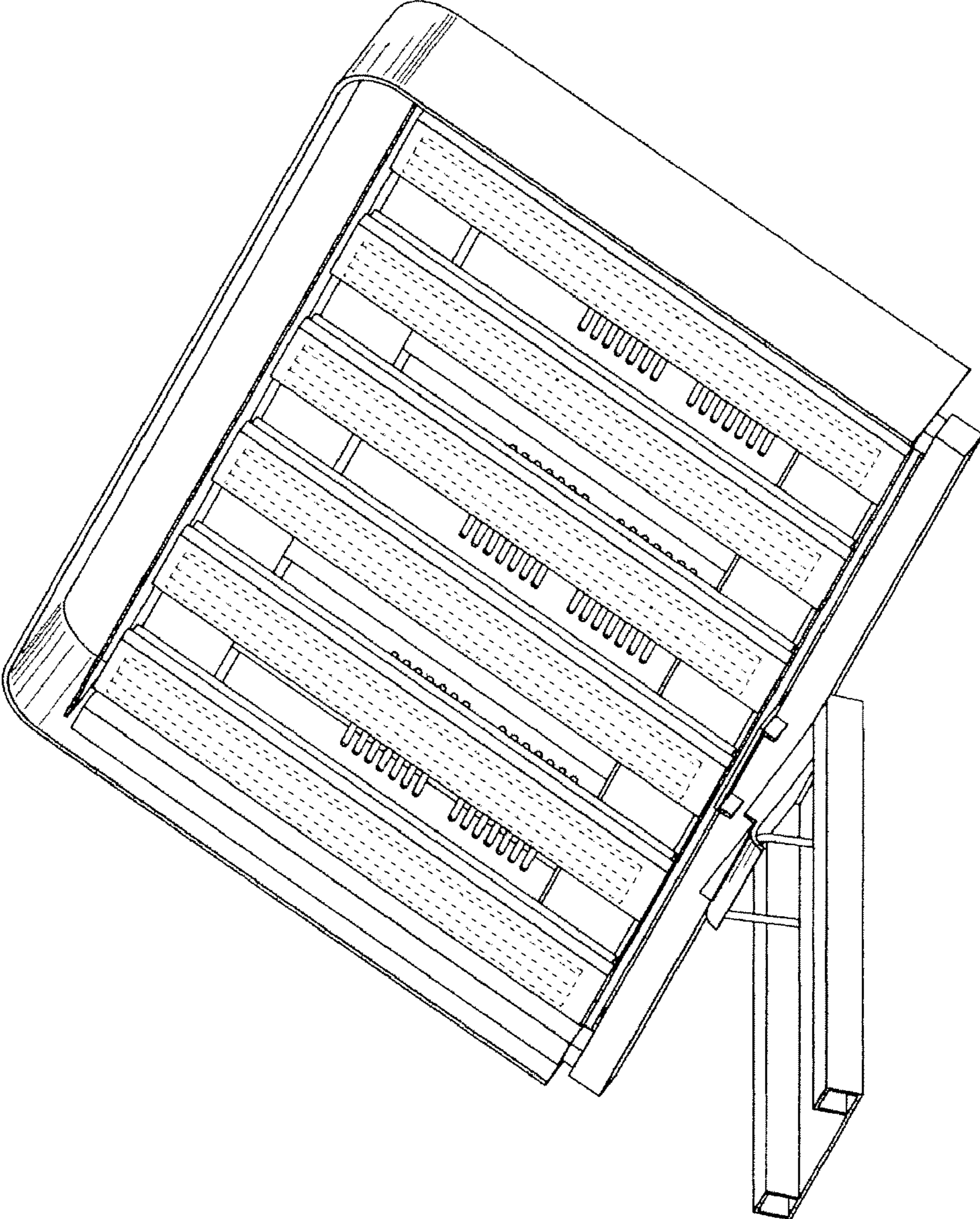


FIG. 2

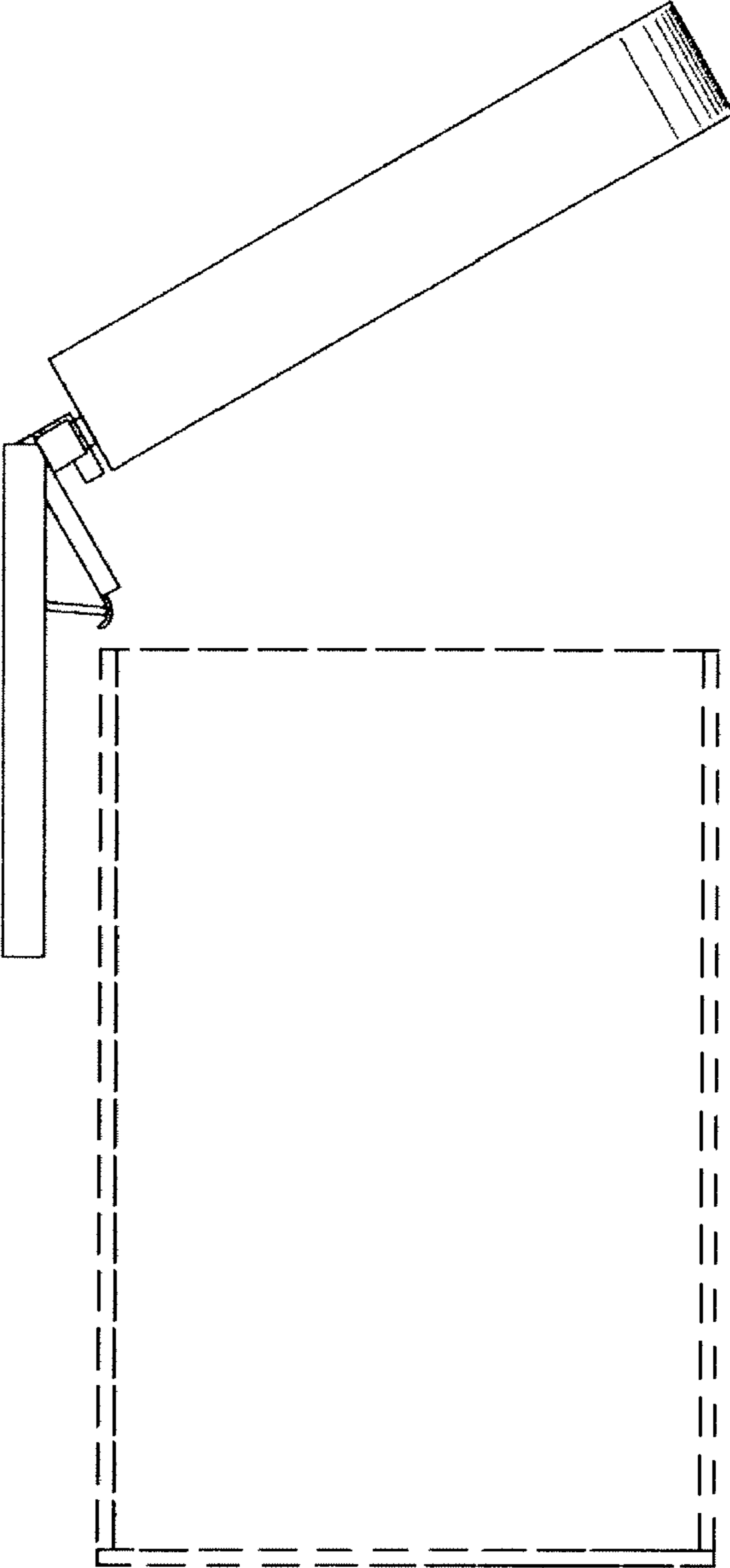


FIG. 3

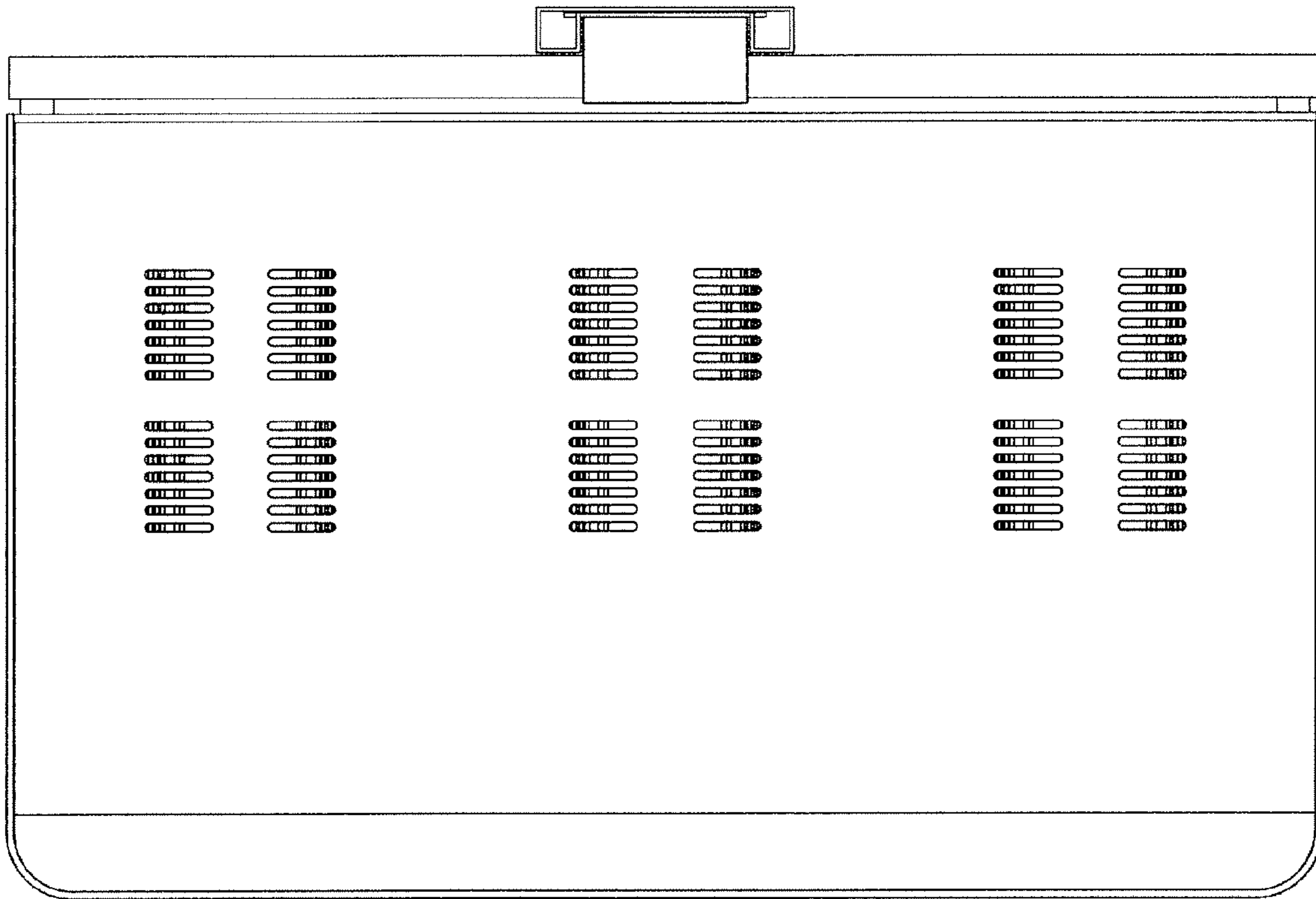


FIG. 4